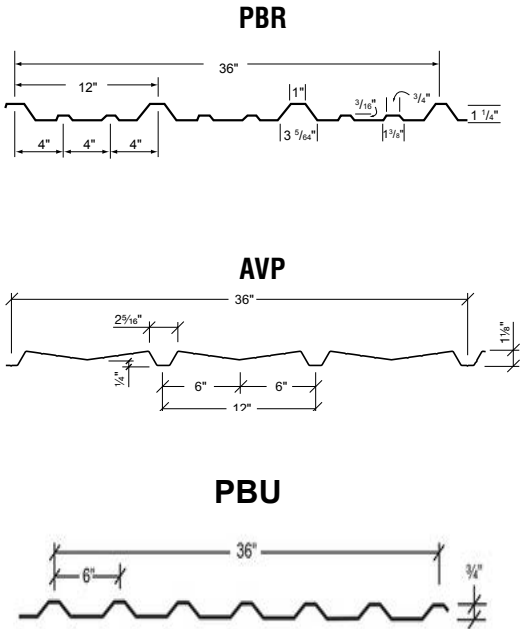




SIGNATURE® 200 | SILICONIZED POLYESTER | Polar White is a Straight Polyester.



 POLAR WHITE ★ SR .58 SRI 69	 LIGHT STONE ★ SR .50 SRI 58	 FERN GREEN ★ SR .28 SRI 29	 HAWAIIAN BLUE ★ SR .32 SRI 35
 ASH GRAY ★ SR .48 SRI 56	 SADDLE TAN ★ SR .48 SRI 56	 RUSTIC RED ★ SR .36 SRI 40	 DESERT SAND ★ SR .42 SRI 48
 CHARCOAL GRAY ★ SR .28 SRI 30	 KOKO BROWN ★ SR .28 SRI 30	 BURNISHED SLATE ★ SR .28 SRI 29	 CRIMSON RED ★ SR .33 SRI 34
 COBALT BLUE ★ SR .28 SRI 27			

SIGNATURE® 300 | 70% PVDF RESIN

 SNOW WHITE ★ SR .65 SRI 79	 ALMOND ★ SR .63 SRI 76	 SLATE GRAY ★ SR .37 SRI 41	 HARBOR BLUE ★ SR .28 SRI 30
 BROWNSTONE ★ SR .47 SRI 54	 MEDIUM BRONZE ★ SR .33 SRI 36	 CLASSIC GREEN ★ SR .28 SRI 30	 BRITE RED ★ SR .49 SRI 55

- Final color selection should be made from actual color chips.
- See product catalog for gauge and color availability.
- Heavier gauges, narrower widths, striations and embossing minimize "oil canning."
- All Signature® 300 and 300 Metallic are low gloss colors.
- A 25-year limited paint warranty available for all colors upon written request, please inquire. (Outside the continental United States, please inquire.)
- Signature® is a registered trademark of NCI Group, Inc.

What is Solar Reflectivity (SR)?

Solar reflectivity or reflectance (SR) is the ability of a material to reflect solar energy from its surface back into the atmosphere. The SR value is a number from 0 to 1.0. A value of 0 indicates that the material absorbs all solar energy and a value of 1.0 indicates it is all reflected. ENERGY STAR requires SR testing of both new and aged roof products. New products must have an SR value of 0.25 or higher for steep slope (above 2:12) roofing and an SR value of 0.65 or higher for low slope (2:12 or less) roofing. Aged testing takes 3 years to complete, so not all products that meet the initial requirements are qualified. For more information, please go to www.energystar.gov.

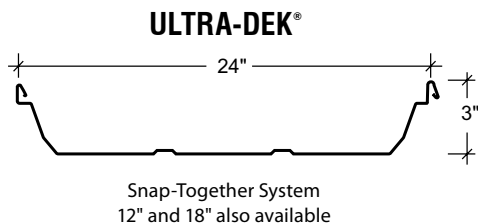
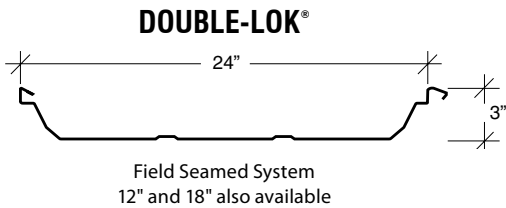
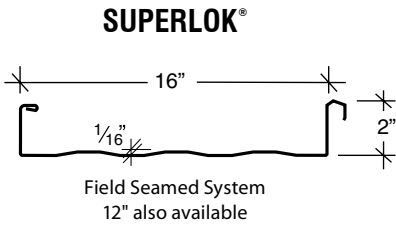
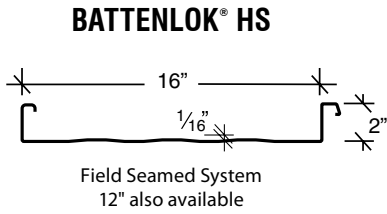
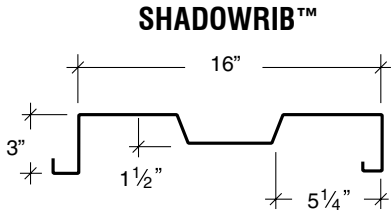
What is Solar Reflectance Index (SRI)?

The SRI is used to determine compliance with LEED requirements and is calculated according to ASTM E 1980 using values for reflectance and emissivity. Emissivity is a material's ability to release absorbed energy. To meet LEED requirements, a roofing material must have an SRI of 29 or higher for steep slope (above 2:12) roofing and an SRI value of 78 or higher for low slope (2:12 or less) roofing. For more information, please go to www.usgbc.org.

ENERGY STAR
★ Qualified Color



SIGNATURE® 300 Standard Colors | 70% PVDF RESIN



			
SNOW WHITE ★ SR .65 SRI 79	ALMOND ★ SR .63 SRI 76	EVERGLADE ★ SR .33 SRI 36	NATURAL PATINA ★ SR .41 SRI 47
			
TUNDRA ★ SR .46 SRI 53	BROWNSTONE ★ SR .47 SRI 54	PACIFIC BLUE ★ SR .29 SRI 31	SPRUCE ★ SR .36 SRI 40
			
SLATE GRAY ★ SR .37 SRI 41	MEDIUM BRONZE ★ SR .33 SRI 36	HARBOR BLUE ★ SR .28 SRI 30	BRITE RED ★ SR .49 SRI 55
			
MIDNIGHT BRONZE ★ SR .29 SRI 31	COLONIAL RED ★ SR .34 SRI 37	HUNTER GREEN ★ SR .35 SRI 39	CLASSIC GREEN ★ SR .28 SRI 30

SIGNATURE® 300 Metallic | 70% PVDF RESIN

	
COPPER METALLIC ★ SR .45 SRI 51	SILVER METALLIC ★ SR .52 SRI 60

Note: Metallic coatings are directional. Panels and trim must be installed oriented in the same direction to prevent perceived shade variances. Directional arrows are on the back side of panels and trim to aid in the proper orientation.

SIGNATURE® 200 Standard Colors | SILICONIZED POLYESTER | Polar White is a Straight Polyester.

			
POLAR WHITE ★ SR .58 SRI 69	RUSTIC RED ★ SR .36 SRI 40	BURNISHED SLATE ★ SR .28 SRI 29	FERN GREEN ★ SR .28 SRI 29
			
LIGHT STONE ★ SR .50 SRI 58	KOKO BROWN ★ SR .28 SRI 30	CHARCOAL GRAY ★ SR .28 SRI 30	COAL BLACK ★ SR .30 SRI 31
			
HAWAIIAN BLUE ★ SR .32 SRI 35			

Signature® 200 SPECIFICATIONS

Product Name

Signature® 200, a premium coating with proven, proprietary polymer and premium pigments.

Product Description

Uses: Signature® 200 is a factory-applied and oven-baked protective coating used on GALVALUME®, galvanized steel or aluminum substrate. Signature® 200 combines excellent physical characteristics and aesthetic values for metal panels and components. Its uses in architectural, industrial, commercial, residential and institutional metal construction are numerous. Signature® 200 coatings are formulated for hardness and flexibility, making it a versatile and durable coating system when applied over a proprietary, corrosion-resistant primer.

Limitations: Since Signature® 200 coatings require baking to cure, they cannot be field applied. Signature® 200 coatings are not approved for use on hot or cold rolled bare steel substrates intended for exterior exposure.

Composition and Materials: Signature® 200 is a thermoset coating consisting of a proprietary polyester resin modified by silicone resin intermediate. Signature® 200 uses premium, proven-durability ceramic pigments which give superior exterior protection and resistance to chemical corrosion and ultraviolet radiation.

Color: Signature® 200 coatings are available in a wide range of standard, field-proven colors. Special colors are available (minimum quantity requirements may apply) if approved by manufacturer. Polar White may not meet these specifications – please inquire.

Installation

The Signature® 200 system is factory applied over metal substrates using the coil coating process. Surfaces shall be chemically cleaned and pretreated according to manufacturers' specifications to remove contaminants and provide acceptable corrosion resistance. Total dry film thickness of topcoat (Signature® 200 protective coating and primer) is within the 0.9 - 1.05 range for coil coated applications. The pretreated substrate is primed with 0.2 - 0.25 mil of a high performance primer. The Signature® 200 protective coating is applied over the primed substrate at 0.7 - 0.8 mil. The Signature® 200 systems incorporate outstanding exterior durability, while affording superior coil line application and post-forming capabilities.

Warranty

The Signature® 200 warranty is backed by the strictest production specifications and is one of the strongest in the industry. Details and further information are available by contacting the manufacturer.

Maintenance

The factory applied finish of Signature® 200 is baked-on coating designed to give trouble-free performance for years with little service required. However, mild detergents and/or mineral spirits are recommended for removal of surface dust and airborne chemical deposits. Air-dry touch-up paints are also available for repair of minor scratches.

Technical Assistance

Complete technical information and literature is available from manufacturer.

Signature® is a registered trademark of NCI Group, Inc.
GALVALUME® is a registered trademark of BIEC International Inc.

TECHNICAL DATA—PHYSICAL PROPERTIES

PROPERTY	VALUE	TEST DESIGNATION	
Gloss @ 60°	20-80	ASTM D523	(1) 2T to 4T, No loss of adhesion. (2) No field blisters. (3) ≤¼ inch creep from scribe, few blisters, rating of 8. (4) Chalk rating no less than 8. Color change, no more than 5ΔE Hunter units. (5) 10% Hydrochloric acid solution 24 hours no visible changes. 25% sodium hydroxide 1 hour test no visible change.
Film Hardness	F-Min (Eagle Turq.)	ASTM D3363	
Impact Resistance, 3x Metal Thickness	No Adhesion Loss	ASTM D2794	
Cross-Hatch Adhesion	No Adhesion Loss	ASTM D3359	
Formability: T-Bend	(1) Acceptable	ASTM D4145	
Abrasion Resistance, Falling Sand	35 ± 5 Liters	ASTM D968	
ACCELERATED TESTS:			
Humidity, 1,000 hrs.	(2) Acceptable	ASTM D2247	
Dew Cycle Weatherometer, 200 Total Hours	(4) Acceptable	ASTM D3361	
Salt Spray, 1,000 hrs.	(3) Acceptable	ASTM B117	
Chemical Spot Test	(5) Acceptable	ASTM D1308	

Signature® 300 and Signature® 300 Metallic SPECIFICATIONS

Product Name

Signature® 300 and Signature® 300 Metallic, a premium fluoropolymer low gloss coating, produced with 70% PVDF resin.

Product Description

Basic Uses: Signature® 300 coatings are specified by leading architects and used by manufacturers of metal curtain wall and other building products as a long-life exterior finish for aluminum, galvanized steel and Galvalume®. The liquid coating is factory applied and oven baked on properly prepared and primed substrates. Signature® 300 coatings typically are used as exterior finishes for metal roofing, siding, louvers, fascia, curtain wall, spandrel paneling and column covers. The building components can be post-formed from pre-coated coil stock.

Limitations: Since Signature® 300 coatings require baking to cure, they cannot be field applied. Signature® 300 coatings are not approved for use on hot or cold rolled bare steel substrates intended for exterior exposure.

Composition and Materials: Signature® 300 coatings are based on 70% PVDF resin. They also are formulated with highly durable pigments and solvents blended for optimum application properties.

Color: Signature® 300 coatings are available in a wide range of standard, field-proven colors. Special colors are available (minimum quantity requirements may apply) if approved by manufacturer.

Technical Data

See Chart Below.

Installation

Signature® 300 coatings may be coil coated on HDG steel, Aluminum or Galvalume® substrates that have been pretreated and primed according to manufacturer specifications. The entire system is applied in the factory and oven baked. Topcoat dry film thicknesses are within the 0.9-1.1 mil range (Note: which refers to the combination of primer and the Signature® 300 protective coating) for coil coated applications. The pretreated substrate is primed with 0.2 - 0.30 mil of a high performance primer. The Signature® 300 protective coating is applied over the primed substrate at 0.7 - 0.8 mil. The flexibility of the system permits coil-coated stock to be post-formed by either a roll former or press brake. All applicators of Signature® 300 coatings must have the approval of manufacturer. A list of approved applicators is available upon request.

Warranty

The Signature® 300 warranty is backed by the strictest production specifications and is one of the strongest in the industry. Details and further information are available by contacting manufacturer.

Maintenance

Signature® 300 coatings are virtually maintenance free and non-staining. If necessary, surface residue may be removed by conventional cleaning solvents or detergents. Minor scratches may be touched-up with a specially formulated, field-applied coating of the same color.

Signature® 300 coatings can be used in conjunction with conventional sealants and caulking compounds. Mortar, plaster, etc. will neither adhere to nor stain the surface.

Technical Assistance

Complete technical information and literature is available from manufacturer.

Signature® is a registered trademark of NCI Group, Inc.
GALVALUME® is a registered trademark of BIEC International Inc.

TECHNICAL DATA—PHYSICAL PROPERTIES

Property	Value	Test Designation	
Gloss @ 85°	8-15	ASTM D523	(1) No evidence of cracking, and no loss of adhesion to the point of metal rupture. (2) No removal of finish after 1/16-inch cross-hatching to bare metal, to impact limits or point of metal rupture. (3) No cracking, peeling, blistering, loss of adhesion or corrosion of base metal. Chalk rating of 8 per ASTM D4214. Color change less than 2ΔE per ASTM D2244. (4) Rating of 10, no blistering, cracking, creepage or corrosion per ASTM D1654. (5) No more than 5/32-inch average creepage from scribed line rating of 7, field test rating of 8 per ASTM D1654. (6) No more than 1/32-inch creepage from scribed line, rating of 8. No blistering, rating of 10 per ASTM D1654. (7) 10% Hydrochloric acid solution 24 hours no visible changes. 25% sodium hydroxide 1 hour test no color change, no blistering. (8) Reverse impact and direct impact, no cracking or loss of adhesion.
Film Hardness	HB-Min (Eagle Turq.)	ASTM D3363 (NCCA II-12) (2)	
Impact Resistance, .5" Ball Indenter, 3x Metal Thickness	(8) Acceptable	ASTM D2794	
Formability:	(1) Acceptable	ASTM D522	
180° bend around 1/8" mandrel	(2) Acceptable	ASTM D3359 (NCCA II-5)	
Adhesion	67 Liters	ASTM D968	
Abrasion Resistance, Falling Sand	(3) Acceptable	ASTM D4587, G53, or G154	
Accelerated Weathering, 5,000 hrs. exposure	(4) Acceptable	ASTM D2247, Apparatus A1	
Humidity, 3,000 hrs.	(5) Acceptable	ASTM B117 (NCCA III-2)	
Salt Spray, 2,000 hrs.	(6) Acceptable	ASTM D5894	
Cyclic Salt Fog/UV exposure, 3,000 hrs.	(7) Acceptable	ASTM D1308	
Chemical Spot Test			

Descriptions and specifications contained herein were in effect at the time this publication was approved for printing. We reserve the right to discontinue products at any time or change specifications and/or designs without notice and without incurring obligation.