



Jetronics India, established as manufacturers of connectors in 1985, has grown into a leading producer and exporter of MIL C 5015 grade electrical connectors and related accessories.

Jetronics India's continuing mission is to focus on quality connectors, high level of services, cost effectiveness, innovative solutions that satisfy interconnect needs of customers while exceeding their expectations.

Products

Circular Threaded Coupling Connectors

These connectors are thread coupled and are in conformity to operating requirements of MIL C 5015 specifications for various industrial applications, these connectors are known for their supreme reliability, high power carrying capacity, their inherent ruggedness and capacity to withstand extreme environmental conditions. Different insert layouts as per MIL STD 1651A and different contact sizes allow carrying of current upto 150 amps. The standard MIL C 5015 insert layouts permit mixing of power and signal contacts.



Reverse Bayonet Coupling Connectors

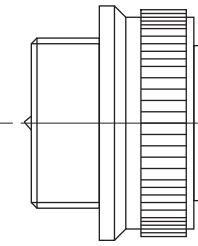
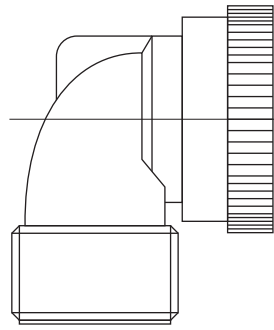
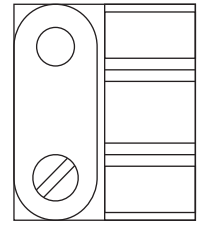
These connectors have identical insert arrangements as threaded coupling connectors but differ as to coupling which is bayonet type offering improved moisture sealing, faster more positive coupling and uncoupling and improved vibration resistance, these connectors are intermateable with VG 95234 and 121B connectors.



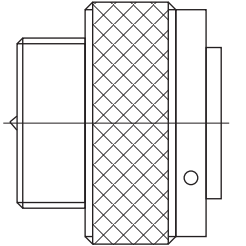
CONTENTS

Introduction 1
 Connector Styles with Class 2-3
 Features & Applications 4
 Specifications 5
 Insert Arrangements 6-10
 Alternate Insert Arrangements 11
 Dimensional Details - Circular Threaded Coupling Connectors 12-13
 Dimensional Details - Reverse Bayonet Coupling Connectors 14 -15
 Cap Accessories 16-17
 Other Accessories 18-19
 Ordering Information 20

**Class F
(Class R w/o
cable clamp)**

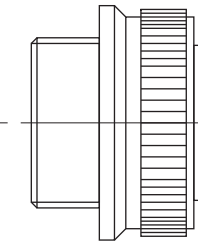
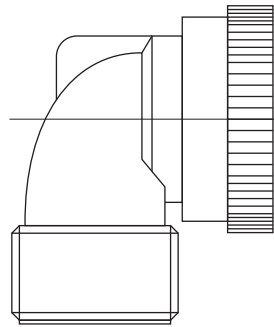


JI 3108

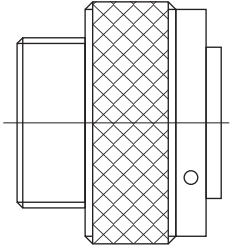


RB 3108

Class A

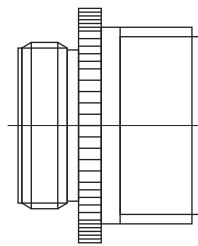
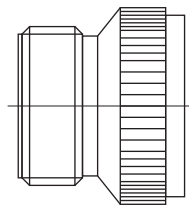


JI 3106

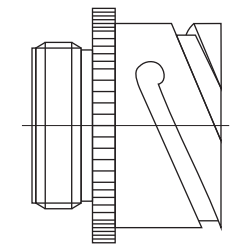


RB 3106

Class A

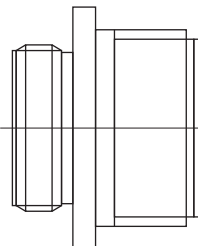
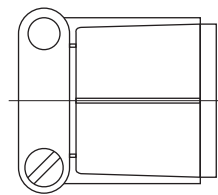


JI 3101

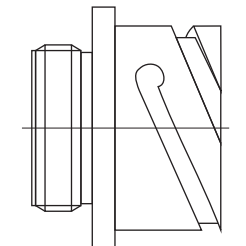


RB 3101

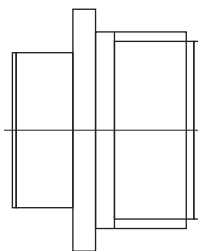
**Class F
(Class E w/o
'O' Ring)**



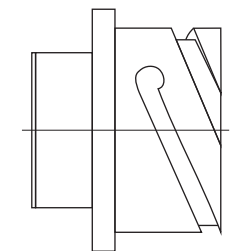
JI 3100



RB 3100



**JI 3102
Class R only**



**RB 3102
Class R only**

**Cable
Clamp**

Backshell

**Grommet
Sleeve**

Grommet

Connector features

Light Weight and Rugged Shell

These connectors are made of Aluminium alloy resulting into a rugged connector with minimal weight.

Environmental Resistance

These are corrosion-proof vibration proof and also resistant to heavy condensed atmosphere.

High Current Carrying Capacity

These connectors can carry upto 150 amperes and 3 KV, depending upon the connector size and insert arrangements.

Resilient Insulator and Grommet

Insulators and grommets are made in polychloroprene making them resilient to varying environmental conditions.

Wide Varieties of Contact are available

High reliability machined contacts with silver or gold plating are available in sizes 16 through 0, to accommodate wire guages from 16 to 0 SWG.

Multi Contacts are available

Different insert layouts permit multi pin arrangements up to 52 pins.

Applications

These Connectors are served in the following industries and application:

- | | | |
|------------------------|------------------------|----------------------------------|
| Military | Lighting Industry | Hydraulic Systems |
| Medical | Engine Manufacturing | Welding Machines |
| Aerospace | Machine Manufacturing | Motion Control Systems |
| Telecommunication | Radar | Landing Gear Systems |
| Transportation | Sensors | Test Equipment |
| Network Communications | Transducers | Power Generators |
| Process Control | Fueling Systems | Earth Moving Equipment |
| Heavy Equipment | Fire Detection Systems | Advanced Scientific Applications |

MATERIALS AND FINISH SPECIFICATIONS

- Shell Material** : Aluminium Alloy
- Insulator & Grommet** : Polychloroprene
- Contacts** : Copper Alloy
- Plating – Contacts** : Silver / Gold or Nickel (Optional)
- Plating – Shells** : Cadmium Plated With Olive Drab Chromate Finish

PERFORMANCE SPECIFICATIONS

- Current Rating** : Up to 150 amperes (Depending upon the contact size and arrangement)
- Wire Termination** : Solder / Crimp
- Working Voltage** : 200 to 3000 V AC (Depending upon the contact size and arrangement)
- Insulation Resistance** : 5000 M Ω min. at 500 V DC
- Temperature Range** : -55°C to +125°C

CONTACT RATING

| Contact Size | Max. Current | Rated Current | Test Current | Potential Drop mV max. |
|--------------|--------------|---------------|--------------|------------------------|
| 16 | 22 A | 13 A | 20 A | 49 |
| 12 | 41 A | 23 A | 35 A | 42 |
| 8 | 73 A | 46 A | 60 A | 26 |
| 4 | 135 A | 80 A | 110 A | 23 |
| 0 | 245 A | 150 A | 200 A | 21 |

SERVICE RATING

| Service Rating | Operating V DC at Sea Level | Operating V AC at Sea Level | Air Spacing Nom. (Inches) | Creepage Distance Nom. (Inches) |
|----------------|-----------------------------|-----------------------------|---------------------------|---------------------------------|
| Inst. | 250 V | 200 V | - | 1/16 |
| A | 700 V | 500 V | 1/16 | 1/8 |
| D | 1250 V | 900 V | 1/8 | 3/16 |
| E | 1750 V | 1250 V | 3/16 | 1/4 |
| B | 2450 V | 1750 V | 1/4 | 5/16 |
| C | 4200 V | 3000 V | 5/16 | 1 |

DIELECTRIC STRENGTH

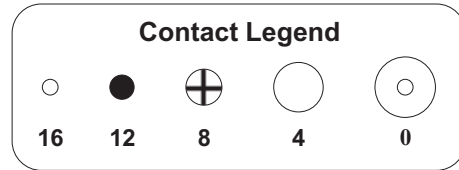
| Service Rating | Min. Flash over Voltage V AC rms | Test Voltage V AC rms |
|----------------|----------------------------------|-----------------------|
| Inst. | 1400 V | 1000 V |
| A | 2800 V | 2000 V |
| D | 3600 V | 2800 V |
| E | 4500 V | 3500 V |
| B | 5700 V | 4500 V |
| C | 8500 V | 7000 V |

COMPATIBLE WIRE SIZE

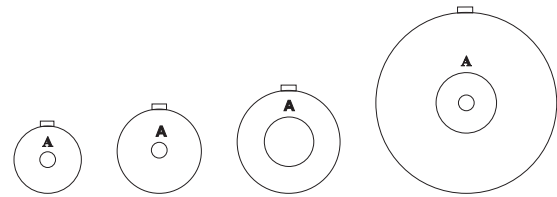
| Contact | | Applicable Wire Size | |
|---------|--------------------------|----------------------|-------------------------------------|
| Size | Solder Pot diameter (mm) | Wire Size (AWG) | Conductor cross-section area (max.) |
| 16 | 1.85 | 16 ~ 22 | 1.25 mm ² |
| 12 | 2.95 | 12 ~ 14 | 3.50 mm ² |
| 8 | 5.31 | 8 ~ 10 | 8.00 mm ² |
| 4 | 8.45 | 4 ~ 6 | 22.00 mm ² |
| 0 | 11.91 | 0 ~ 2 | 50.00 mm ² |



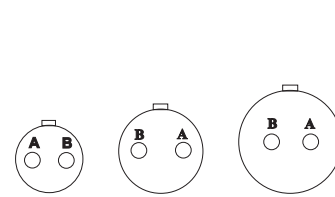
Front face of pin insert or rear of socket insert shown.



1

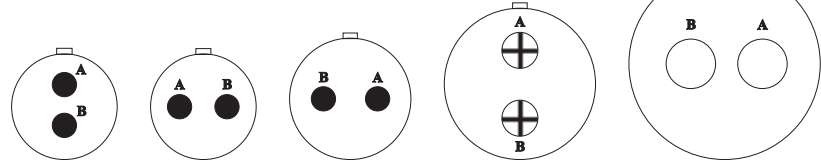


2



| | | | | | | | |
|--------------------|-------|-------|-------|------|--------|-------|-------|
| Insert Arrangement | 10S-2 | 14S-4 | 16-12 | 22-7 | 10SL-4 | 14S-9 | 16S-4 |
| No. Of Contacts | 1 | 1 | 1 | 1 | 2 | 2 | 2 |
| Contact Size | 16 | 16 | 4 | 0 | 16 | 16 | 16 |
| Service Rating | A | D | A | E | A | A | D |

2

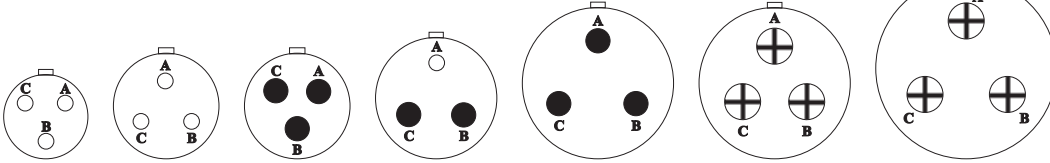


3



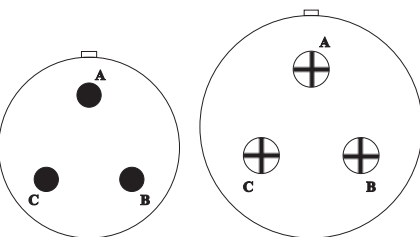
| | | | | | | |
|--------------------|-------|-------|------|-------|------|--------|
| Insert Arrangement | 16-11 | 16-13 | 18-3 | 20-23 | 24-9 | 10SL-3 |
| No. Of Contacts | 2 | 2 | 2 | 2 | 2 | 3 |
| Contact Size | 12 | 12 | 12 | 8 | 4 | 16 |
| Service Rating | A | A | D | A | A | A |

3

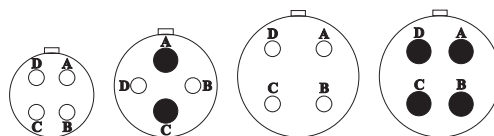


| | | | | | | | |
|--------------------|-------|-------|-------|------------|------|-------|------|
| Insert Arrangement | 14S-7 | 16S-5 | 16-10 | 18-5 | 20-3 | 20-19 | 22-2 |
| No. Of Contacts | 3 | 3 | 3 | 3 | 3 | 3 | 3 |
| Contact Size | 16 | 16 | 12 | 1#16, 2#12 | 12 | 8 | 8 |
| Service Rating | A | A | A | D | D | A | D |

3



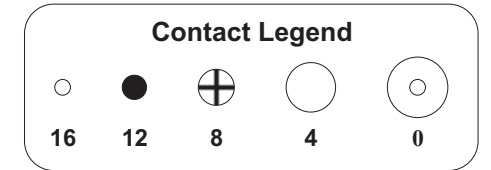
4



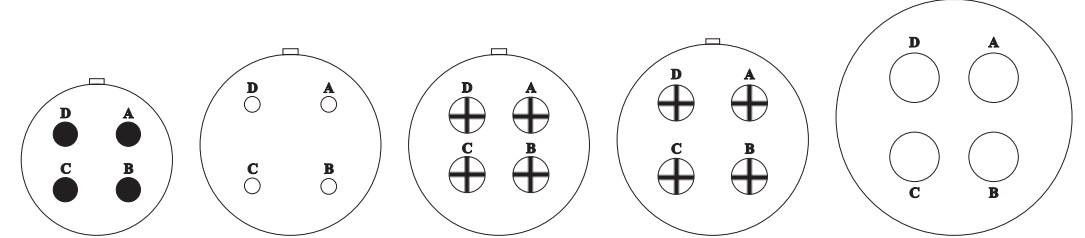
| | | | | | | |
|--------------------|------|------|-------|------------|------|-------|
| Insert Arrangement | 22-9 | 28-3 | 14S-2 | 16-9 | 18-4 | 18-10 |
| No. Of Contacts | 3 | 3 | 4 | 4 | 4 | 4 |
| Contact Size | 12 | 8 | 16 | 2#16, 2#12 | 16 | 12 |
| Service Rating | E | E | INST. | A | D | A |



Front face of pin insert or rear of socket insert shown.

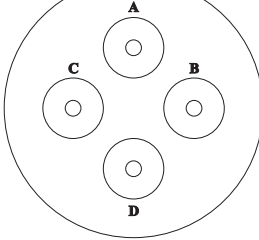


4

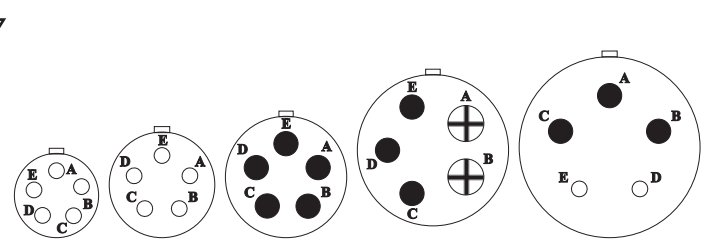


| | | | | | |
|--------------------|------|-------|-------|-------|-------|
| Insert Arrangement | 20-4 | 22-10 | 22-22 | 24-22 | 32-17 |
| No. Of Contacts | 4 | 4 | 4 | 4 | 4 |
| Contact Size | 12 | 16 | 8 | 8 | 4 |
| Service Rating | D | E | A | D | D |

4

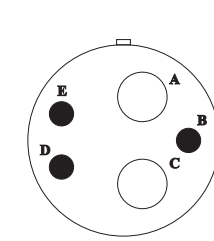


5

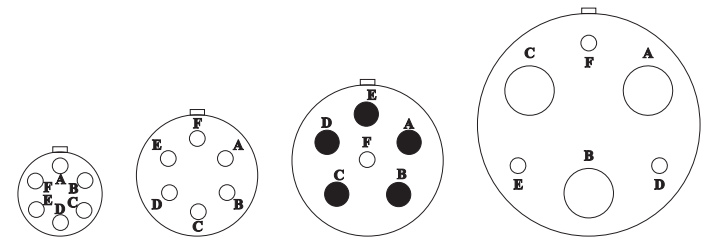


| | | | | | | |
|--------------------|------|-------|-------|-------|----------|------------|
| Insert Arrangement | 36-5 | 14S-5 | 16S-8 | 18-11 | 20-14 | 22-34 |
| No. Of Contacts | 4 | 5 | 5 | 5 | 5 | 5 |
| Contact Size | 0 | 16 | 16 | 12 | 3#12 2#8 | 2#16, 3#12 |
| Service Rating | A | INST. | A | A | D | D |

5

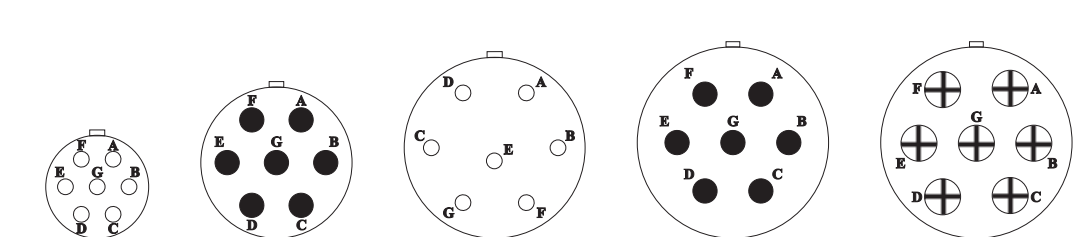


6



| | | | | | |
|--------------------|-----------|-------|-------|------------|-----------|
| Insert Arrangement | 24-12 | 14S-6 | 18-12 | 20-17 | 28-22 |
| No. Of Contacts | 5 | 6 | 6 | 6 | 6 |
| Contact Size | 3#12, 2#4 | 16 | 16 | 1#16, 5#12 | 3#16, 3#4 |
| Service Rating | A | INST. | A | A | D |

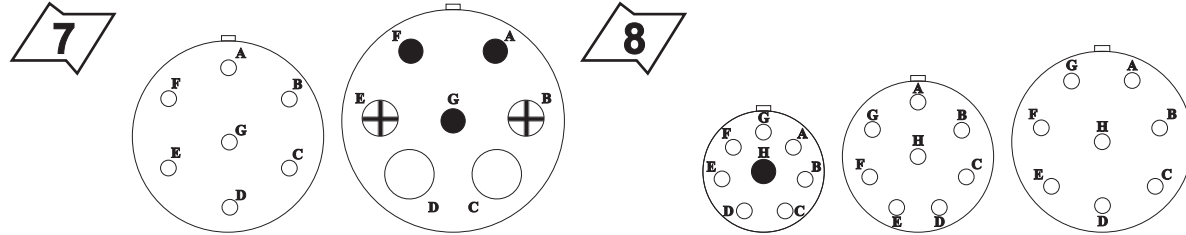
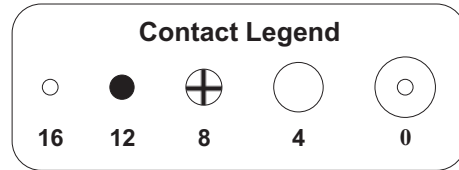
7



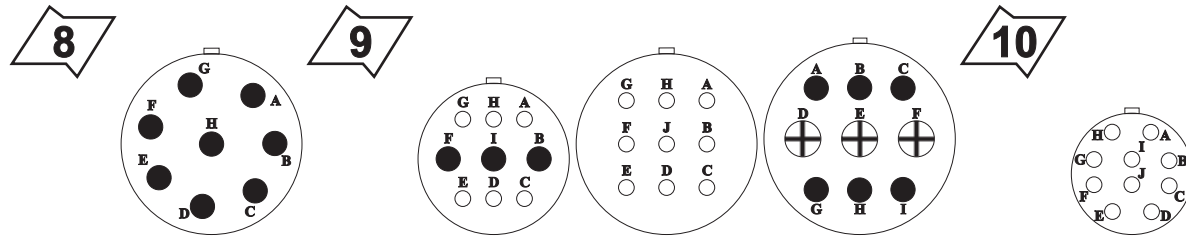
| | | | | | |
|--------------------|-------|-------|---------------|------|-------|
| Insert Arrangement | 16S-1 | 20-15 | 22-33 | 24-2 | 24-10 |
| No. Of Contacts | 7 | 7 | 7 | 7 | 7 |
| Contact Size | 16 | 12 | 16 | 12 | 8 |
| Service Rating | A | A | ABCD=D, EFG=A | D | A |



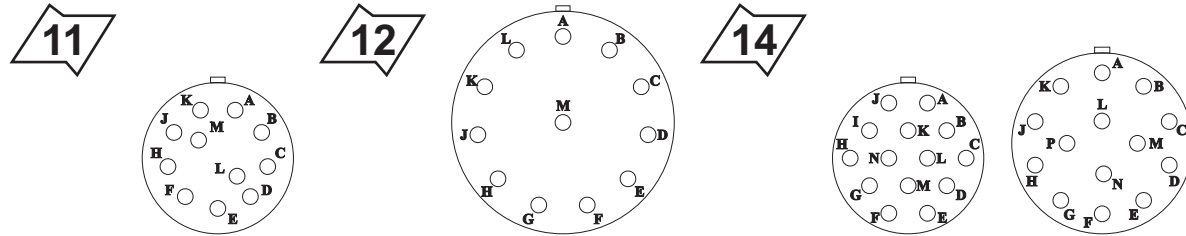
Front face of pin insert or rear of socket insert shown.



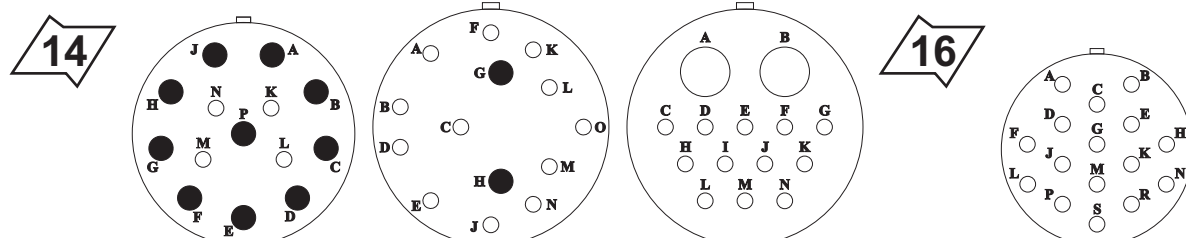
| | | | | | |
|--------------------|-------|----------------|--------------|----------------|----------------|
| Insert Arrangement | 24-27 | 28-10 | 18-8 | 20-7 | 22-18 |
| No. Of Contacts | 7 | 7 | 8 | 8 | 8 |
| Contact Size | 16 | 3#12, 2#8, 2#4 | 7 #16, 1 #12 | ABGH=D, CDEF=A | ABFGH=D, CDE=A |
| Service Rating | E | G=D, BAL=A | A | | |



| | | | | | |
|--------------------|-------------|-----------|-------|-------------|------------------|
| Insert Arrangement | 22-23 | 20-18 | 22-20 | 24-11 | 18-1 |
| No. Of Contacts | 8 | 9 | 9 | 9 | 10 |
| Contact Size | 12 | 6#16 3#12 | 16 | 6 #12, 3 #8 | 16 |
| Service Rating | H=D, Bal.=A | D | A | A | BCFG=A, BAL=INST |



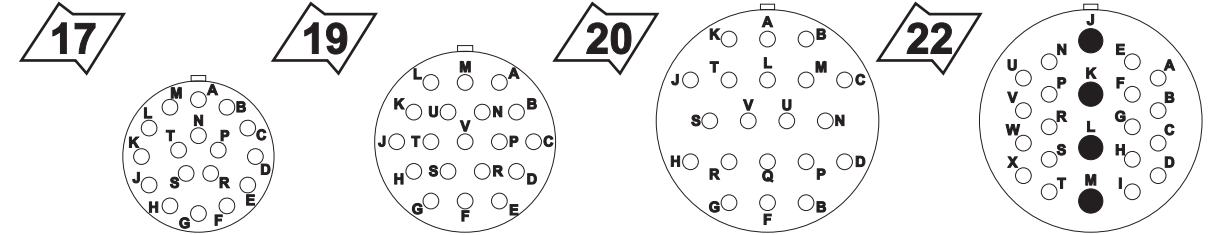
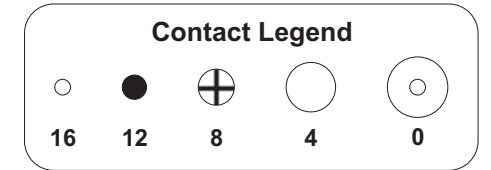
| | | | | |
|--------------------|-------|------------------------------|-------|-------|
| Insert Arrangement | 20-33 | 28-18 | 20-27 | 22-19 |
| No. Of Contacts | 11 | 12 | 14 | 14 |
| Contact Size | 16 | 16 | 16 | 16 |
| Service Rating | A | M=C, GHJKL=D, AB=A, Bal=Inst | A | A |



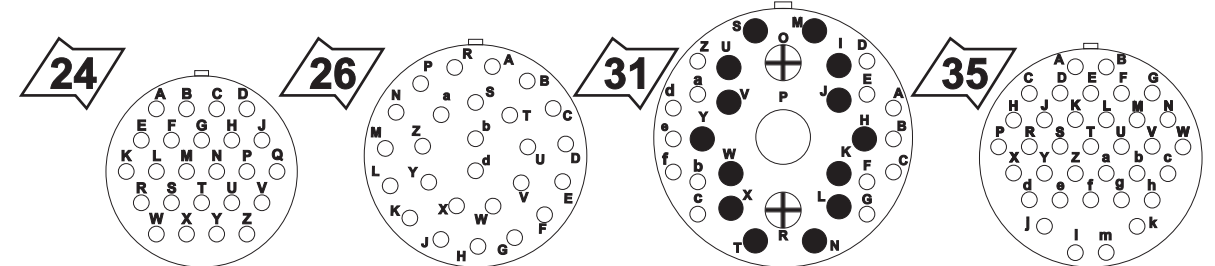
| | | | | |
|--------------------|-------------|---------------|------------|------|
| Insert Arrangement | 28-20 | 32-4 | 32-9 | 24-5 |
| No. Of Contacts | 14 | 14 | 14 | 16 |
| Contact Size | 4#16, 10#12 | 12#16, 2#12 | 12#16, 2#4 | 16 |
| Service Rating | A | FJKN=A, BAL=D | D | A |



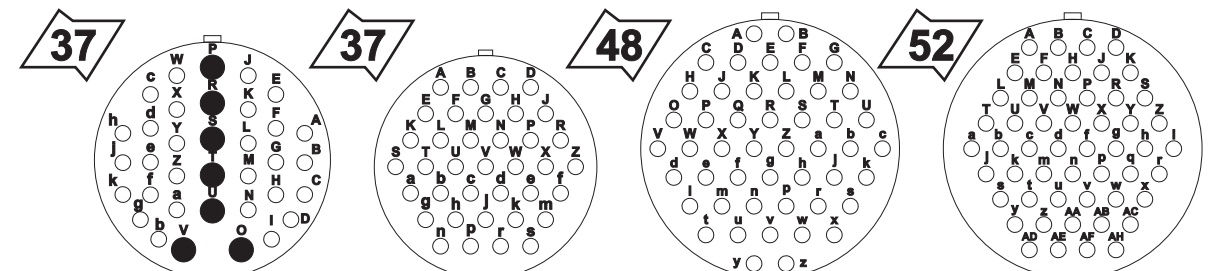
Front face of pin insert or rear of socket insert shown.



| | | | | |
|--------------------|-------|-------|-------|-------------|
| Insert Arrangement | 20-29 | 22-14 | 28-16 | 28-11 |
| No. Of Contacts | 17 | 19 | 20 | 22 |
| Contact Size | 16 | 16 | 16 | 18#16, 4#12 |
| Service Rating | A | A | A | A |



| | | | | |
|--------------------|-------|-------|------------------------|-------|
| Insert Arrangement | 24-28 | 28-12 | 36-9 | 28-15 |
| No. Of Contacts | 24 | 26 | 31 | 35 |
| Contact Size | 16 | 16 | 14#16, 14#12, 2#8, 1#4 | 16 |
| Service Rating | INST. | A | A | A |



| | | | | |
|--------------------|------------------|-------|-------|-------|
| Insert Arrangement | 32-7 | 28-21 | 36-10 | 36-52 |
| No. Of Contacts | 35 | 37 | 48 | 52 |
| Contact Size | 28#16, 7#12 | 16 | 16 | 16 |
| Service Rating | ABhj=Inst, Bal=A | A | A | A |



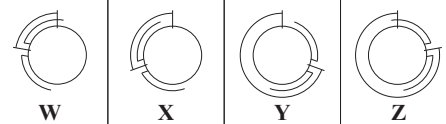
INSERT ARRANGEMENTS

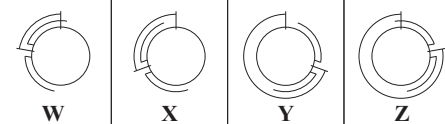
| Insert Arrangement | Service Rating | Total Contacts | Contact Size | | | | |
|--------------------|----------------|----------------|--------------|---|---|----|----|
| | | | 0 | 4 | 8 | 12 | 16 |
| 10S - 2 | A | 1 | - | - | - | - | 1 |
| 10SL - 3 | A | 3 | - | - | - | - | 3 |
| 10SL - 4 | A | 2 | - | - | - | - | 2 |
| 14S - 2 | Inst. | 4 | - | - | - | - | 4 |
| 14S - 4 | D | 1 | - | - | - | - | 1 |
| 14S - 5 | Inst. | 5 | - | - | - | - | 5 |
| 14S - 6 | Inst. | 6 | - | - | - | - | 6 |
| 14S - 7 | A | 3 | - | - | - | - | 3 |
| 14S - 9 | A | 2 | - | - | - | - | 2 |
| 16S - 1 | A | 7 | - | - | - | - | 7 |
| 16S - 4 | D | 2 | - | - | - | - | 2 |
| 16S - 5 | A | 3 | - | - | - | - | 3 |
| 16S - 8 | A | 5 | - | - | - | - | 5 |
| 16 - 9 | A | 4 | - | - | - | 2 | 2 |
| 16 - 10 | A | 3 | - | - | - | 3 | - |
| 16 - 11 | A | 2 | - | - | - | 2 | - |
| 16 - 12 | A | 1 | - | 1 | - | - | - |
| 16 - 13 | A | 2 | - | - | - | 2 | - |
| 18 - 1 | A/Inst. | 10 | - | - | - | - | 10 |
| 18 - 3 | D | 2 | - | - | - | 2 | - |
| 18 - 4 | D | 4 | - | - | - | - | 4 |
| 18 - 5 | D | 3 | - | - | - | 2 | 1 |
| 18 - 8 | A | 8 | - | - | - | 1 | 7 |
| 18 - 10 | A | 4 | - | - | - | 4 | - |
| 18 - 11 | A | 5 | - | - | - | 5 | - |
| 18 - 12 | A | 6 | - | - | - | - | 6 |
| 20 - 3 | D | 3 | - | - | - | 3 | - |
| 20 - 4 | D | 4 | - | - | - | 4 | - |
| 20 - 7 | D/A | 8 | - | - | - | - | 8 |
| 20 - 14 | D | 5 | - | - | 2 | 3 | - |
| 20 - 15 | A | 7 | - | - | - | 7 | - |
| 20 - 17 | A | 6 | - | - | - | 5 | 1 |
| 20 - 18 | A | 9 | - | - | - | 3 | 6 |
| 20 - 19 | A | 3 | - | - | 3 | - | - |
| 20 - 23 | A | 2 | - | - | 2 | - | - |
| 20 - 27 | A | 14 | - | - | - | - | 14 |
| 20 - 29 | A | 17 | - | - | - | - | 17 |
| 20 - 33 | A | 11 | - | - | - | - | 11 |
| 22 - 2 | D | 3 | - | - | 3 | - | - |

| Insert Arrangement | Service Rating | Total Contacts | Contact Size | | | | |
|--------------------|----------------|----------------|--------------|---|---|----|----|
| | | | 0 | 4 | 8 | 12 | 16 |
| 22 - 7 | E | 1 | - | - | - | - | 1 |
| 22 - 9 | E | 3 | - | - | - | 3 | - |
| 22 - 10 | E | 4 | - | - | - | - | 4 |
| 22 - 14 | A | 19 | - | - | - | - | 19 |
| 22 - 18 | D/A | 8 | - | - | - | - | 8 |
| 22 - 19 | A | 14 | - | - | - | - | 14 |
| 22 - 20 | A | 9 | - | - | - | - | 9 |
| 22 - 22 | A | 4 | - | - | 4 | - | - |
| 22 - 23 | D/A | 8 | - | - | - | 8 | - |
| 22 - 33 | D/A | 7 | - | - | - | - | 7 |
| 22 - 34 | D | 5 | - | - | - | 3 | 2 |
| 24 - 2 | D | 7 | - | - | - | 12 | - |
| 24 - 5 | A | 16 | - | - | - | - | 16 |
| 24 - 9 | A | 2 | - | 2 | - | - | - |
| 24 - 10 | A | 7 | - | - | 7 | - | - |
| 24 - 11 | A | 9 | - | - | 3 | 6 | - |
| 24 - 12 | A | 5 | - | 2 | - | 3 | - |
| 24 - 22 | D | 4 | - | - | 4 | - | - |
| 24 - 27 | E | 7 | - | - | - | - | 7 |
| 24 - 28 | Inst. | 24 | - | - | - | - | 24 |
| 28 - 3 | E | 3 | - | - | 3 | - | - |
| 28 - 10 | D/A | 7 | - | 2 | 2 | 3 | - |
| 28 - 11 | A | 22 | - | - | - | 4 | 18 |
| 28 - 12 | A | 26 | - | - | - | - | 26 |
| 28 - 15 | A | 35 | - | - | - | - | 35 |
| 28 - 16 | A | 20 | - | - | - | - | 20 |
| 28 - 18 | C/D/A/Inst. | 12 | - | - | - | - | 12 |
| 28 - 20 | A | 14 | - | - | - | 10 | 4 |
| 28 - 21 | A | 37 | - | - | - | - | 37 |
| 28 - 22 | D | 6 | - | 3 | - | - | 3 |
| 32 - 4 | A/D | 14 | - | - | - | 2 | 12 |
| 32 - 7 | A/Inst. | 35 | - | - | - | 7 | 28 |
| 32 - 9 | D | 14 | - | 2 | - | - | 12 |
| 32 - 17 | D | 4 | - | 4 | - | - | - |
| 36 - 5 | A | 4 | 4 | - | - | - | - |
| 36 - 9 | A | 31 | - | 1 | 2 | 14 | 14 |
| 36 - 10 | A | 48 | - | - | - | - | 48 |
| 36 - 52 | A | 52 | - | - | - | - | 52 |

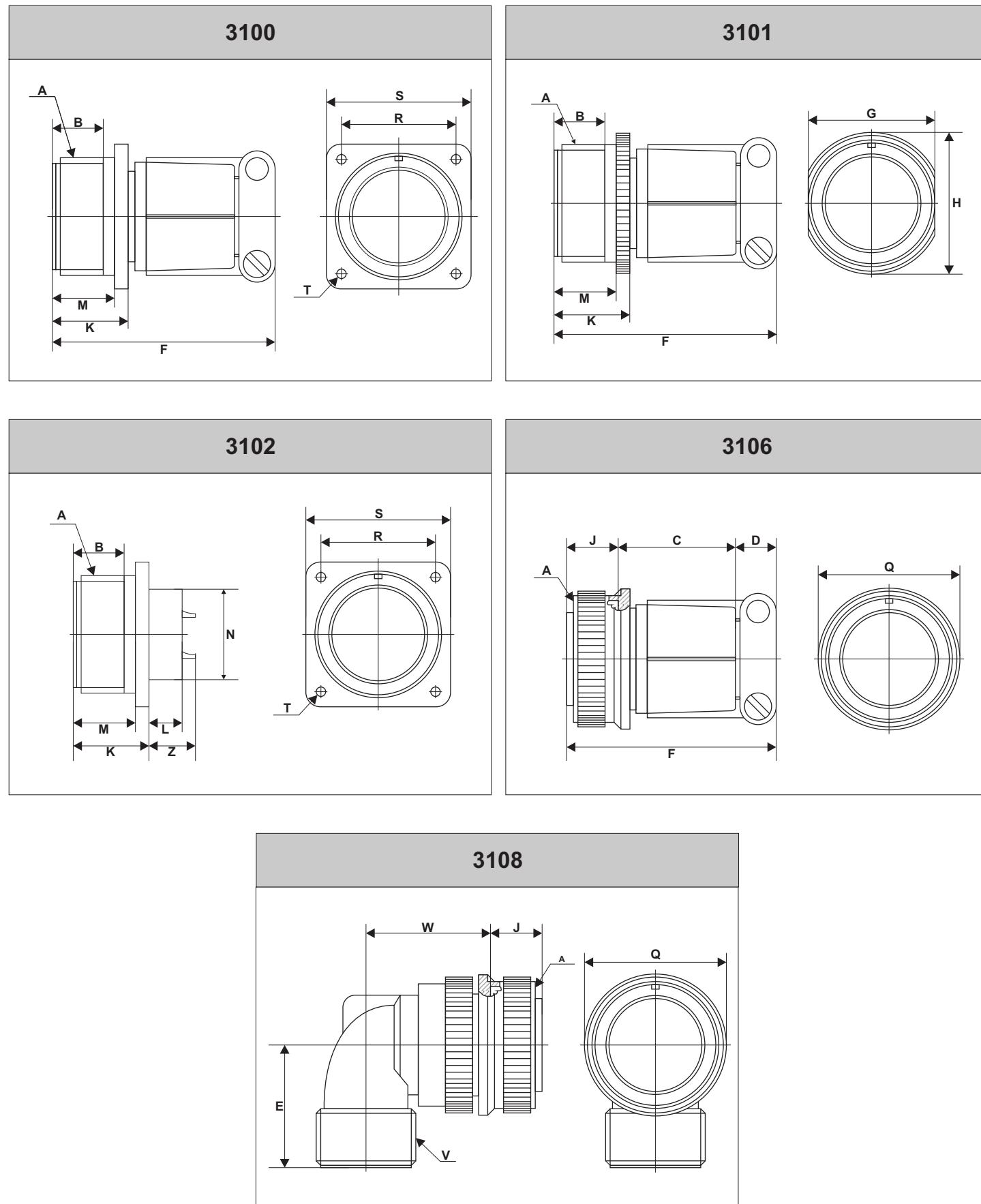


ALTERNATE INSERT ARRANGEMENTS

| Insert Arrangements |  | | | |
|---------------------|---|-----|-----|-----|
| | W | X | Y | Z |
| 10S - 2 | - | - | - | - |
| 10SL - 3 | - | - | - | - |
| 10SL - 4 | - | - | - | - |
| 14S - 2 | - | 120 | 240 | - |
| 14S - 4 | - | - | - | - |
| 14S - 5 | - | 110 | - | - |
| 14S - 6 | - | - | - | - |
| 14S - 7 | 90 | 180 | 270 | - |
| 14S - 9 | 70 | 145 | 215 | 290 |
| 16S - 1 | 80 | - | - | 280 |
| 16S - 4 | 35 | 110 | 250 | 325 |
| 16S - 5 | 70 | 145 | 215 | 290 |
| 16S - 8 | - | 170 | 265 | - |
| 16 - 9 | 35 | 110 | 250 | 325 |
| 16 - 10 | 90 | 180 | 270 | - |
| 16 - 11 | 35 | 110 | 250 | 325 |
| 16 - 12 | - | - | - | - |
| 16 - 13 | 35 | 110 | 250 | 325 |
| 18 - 1 | 70 | 145 | 215 | 290 |
| 18 - 3 | 35 | 110 | 250 | 325 |
| 18 - 4 | 35 | 110 | 250 | 325 |
| 18 - 5 | 80 | 110 | 250 | 280 |
| 18 - 8 | 70 | - | - | 290 |
| 18 - 10 | - | 120 | 240 | - |
| 18 - 11 | - | 170 | 265 | - |
| 18 - 12 | 80 | - | - | 280 |
| 20 - 3 | 70 | 145 | 215 | 290 |
| 20 - 4 | 45 | 110 | 250 | - |
| 20 - 7 | 80 | 110 | 250 | 280 |
| 20 - 15 | 80 | - | - | 280 |
| 20 - 17 | 90 | 180 | 270 | - |
| 20 - 19 | 90 | 180 | 270 | - |
| 20 - 23 | 35 | 110 | 250 | 325 |
| 20 - 27 | 35 | 110 | 250 | 325 |
| 20 - 29 | 80 | - | - | 280 |
| 20 - 33 | - | - | - | - |
| 22 - 2 | 70 | 145 | 215 | 290 |

| Insert Arrangements |  | | | |
|---------------------|---|-----|-----|-----|
| | W | X | Y | Z |
| 22 - 7 | - | - | - | - |
| 22 - 9 | 70 | 145 | 215 | 290 |
| 22 - 10 | 35 | 110 | 250 | 325 |
| 22 - 14 | 80 | 110 | 250 | 280 |
| 22 - 18 | 80 | 110 | 250 | 280 |
| 22 - 19 | 80 | 110 | 250 | 280 |
| 22 - 20 | 35 | 110 | 250 | 325 |
| 22 - 22 | - | 110 | 250 | - |
| 22 - 23 | 35 | - | 250 | - |
| 22 - 33 | 80 | 110 | 250 | 280 |
| 22 - 34 | 80 | 110 | 250 | 280 |
| 24 - 5 | 80 | 110 | 250 | 280 |
| 24 - 9 | 35 | 110 | 250 | 325 |
| 24 - 10 | 80 | - | - | 280 |
| 24 - 11 | 35 | 110 | 250 | 325 |
| 24 - 12 | 80 | 110 | 250 | 280 |
| 24 - 22 | 45 | 110 | 250 | - |
| 24 - 27 | 80 | - | - | 280 |
| 24 - 28 | 80 | 110 | 250 | 280 |
| 28 - 3 | 70 | 145 | 215 | 290 |
| 28 - 10 | 80 | 110 | 250 | 280 |
| 28 - 11 | - | - | - | - |
| 28 - 12 | 90 | 180 | 270 | - |
| 28 - 15 | 80 | 110 | 250 | 280 |
| 28 - 16 | 80 | 110 | 250 | 280 |
| 28 - 18 | 70 | 145 | 215 | 290 |
| 28 - 20 | 80 | 110 | 250 | 280 |
| 28 - 21 | 80 | 110 | 250 | 280 |
| 28 - 22 | 70 | 145 | 215 | 290 |
| 32 - 4 | 80 | 110 | 250 | 280 |
| 32 - 7 | 80 | 125 | 235 | 280 |
| 32 - 9 | 80 | 110 | 250 | 280 |
| 32 - 17 | 45 | 110 | 250 | - |
| 36 - 9 | 80 | 125 | 235 | 280 |
| 36 - 10 | 80 | 125 | 235 | 280 |
| 36 - 52 | 72 | 144 | 216 | 288 |

Circular Threaded Coupling Connectors

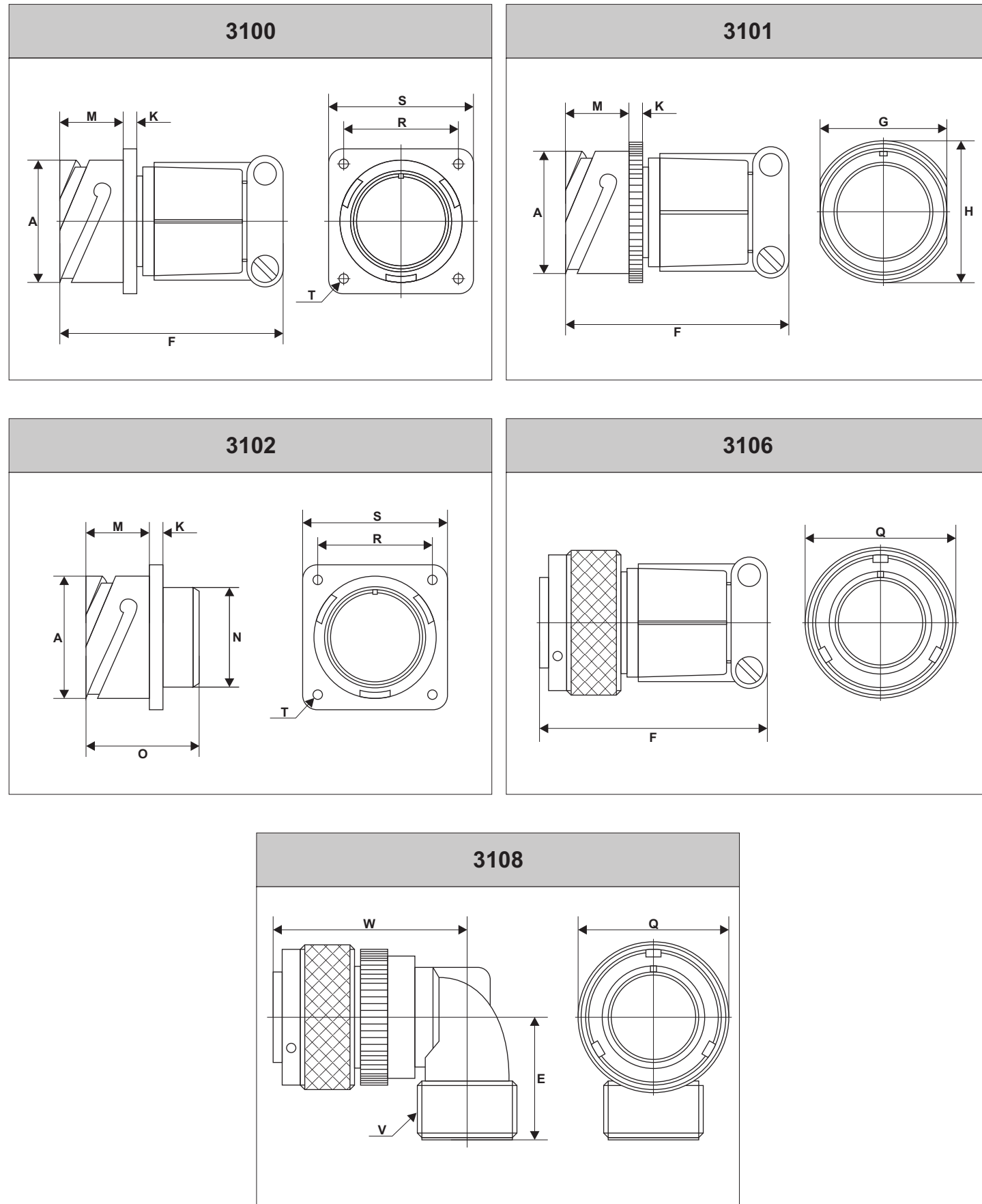


All dimensions are in mm

| Shell Size | A Thread in inches | B min. | K +0.50 -0.20 | L +0.00 -0.25 | R ±0.10 | S ±0.80 | T +0.20 -0.10 | Z +1.20 -1.50 | M +0.25 -0.00 | C max. |
|------------|--------------------------|-----------|---------------------|---------------------|------------|------------|---------------------|---------------------|---------------------|-----------|
| 10 SL | 5/8 - 24 UNEF | 9.90 | 17.00 | 7.60 | 18.25 | 25.40 | 3.10 | 10.70 | 14.30 | 33.50 |
| 14 S | 7/8 - 20 UNEF | 11.40 | 17.00 | 7.60 | 23.01 | 30.20 | 3.10 | 10.70 | 14.30 | 33.50 |
| 16 S | 1 - 20 UNEF | 11.40 | 17.00 | 7.60 | 24.61 | 32.50 | 3.10 | 10.70 | 14.30 | 33.50 |
| 16 | 1 - 20 UNEF | 15.90 | 21.80 | 12.30 | 24.61 | 32.50 | 3.10 | 17.00 | 19.00 | 36.80 |
| 18 | 1 1/8 - 18 UNEF | 15.90 | 22.60 | 11.50 | 27.00 | 34.90 | 3.10 | 16.20 | 19.00 | 37.80 |
| 20 | 1 1/4 - 18 UNEF | 15.90 | 22.60 | 11.50 | 29.36 | 38.10 | 3.10 | 16.20 | 19.00 | 37.80 |
| 22 | 1 3/8 - 18 UNEF | 15.90 | 22.60 | 11.50 | 31.75 | 41.20 | 3.10 | 16.20 | 19.00 | 37.80 |
| 24 | 1 1/2 - 18 UNEF | 15.90 | 24.20 | 11.50 | 34.92 | 44.40 | 3.70 | 14.70 | 20.60 | 37.80 |
| 28 | 1 3/4 - 18 UNS | 15.90 | 24.20 | 11.50 | 39.67 | 50.80 | 3.70 | 14.70 | 20.60 | 37.80 |
| 32 | 2 - 18 UNS | 15.90 | 26.10 | 11.50 | 44.45 | 57.10 | 4.40 | 12.70 | 22.20 | 40.00 |
| 36 | 2 1/4 - 16 UN | 15.90 | 26.10 | 11.50 | 49.22 | 63.50 | 4.40 | 12.70 | 22.20 | 40.00 |

| Shell Size | Q | J | N +0.25 -0.00 | H max. | W max. | E max. | D max. | V Thread in inches | G max. | F max. |
|------------|-------|-------|---------------------|-----------|-----------|-----------|-----------|--------------------------|-----------|-----------|
| 10 SL | 24.10 | 13.50 | 15.80 | 22.00 | 24.10 | 25.00 | 16.70 | 5/8 - 24 UNEF | 16.70 | 63.70 |
| 14 S | 28.50 | 13.50 | 19.00 | 29.00 | 25.90 | 27.00 | 16.70 | 3/4 - 20 UNEF | 22.60 | 63.70 |
| 16 S | 31.75 | 13.50 | 22.20 | 31.00 | 29.10 | 28.00 | 16.70 | 7/8 - 20 UNEF | 25.80 | 63.70 |
| 16 | 31.75 | 18.25 | 22.20 | 31.00 | 33.80 | 28.00 | 16.70 | 7/8 - 20 UNEF | 25.80 | 71.75 |
| 18 | 34.10 | 18.25 | 25.40 | 34.00 | 35.40 | 31.00 | 19.80 | 1 - 20 UNEF | 28.90 | 75.85 |
| 20 | 37.30 | 18.25 | 28.55 | 37.00 | 40.50 | 34.00 | 19.80 | 1 3/16 - 18 UNEF | 32.20 | 75.85 |
| 22 | 40.50 | 18.25 | 31.75 | 40.00 | 40.50 | 34.00 | 19.80 | 1 3/16 - 18 UNEF | 35.30 | 75.85 |
| 24 | 43.80 | 18.25 | 34.90 | 44.00 | 45.30 | 37.00 | 19.80 | 1 7/16 - 18 UNEF | 38.50 | 75.85 |
| 28 | 50.00 | 18.25 | 41.25 | 49.50 | 45.30 | 39.00 | 19.80 | 1 7/16 - 18 UNEF | 44.80 | 75.85 |
| 32 | 56.10 | 18.25 | 48.25 | 56.00 | 51.30 | 45.00 | 27.80 | 1 3/4 - 18 UNS | 51.20 | 86.05 |
| 36 | 62.50 | 18.25 | 53.95 | 62.50 | 54.50 | 48.00 | 27.80 | 2 - 18 UNS | 57.50 | 86.05 |

Reverse Bayonet Coupling Connectors



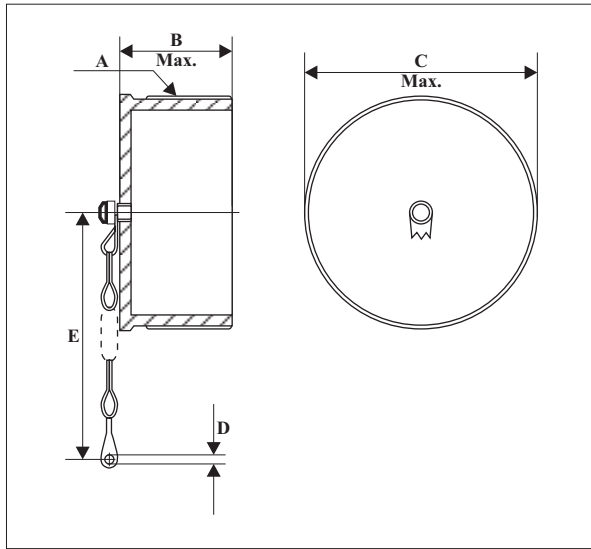
All dimensions are in mm

| Shell Size | M +0.40 -0.00 | K ±0.20 | A +0.00 -0.15 | R ±0.10 | S ±0.30 | F max. | T +0.20 -0.10 |
|------------|---------------------|------------|---------------------|------------|------------|-----------|---------------------|
| 10 SL | 14.20 | 2.80 | 18.20 | 18.20 | 25.40 | 63.70 | 3.10 |
| 14 S | 14.20 | 3.20 | 24.60 | 23.00 | 30.00 | 63.70 | 3.10 |
| 16 S | 14.20 | 3.20 | 27.40 | 24.60 | 32.50 | 63.70 | 3.10 |
| 16 | 19.00 | 3.20 | 27.40 | 24.60 | 32.50 | 71.75 | 3.10 |
| 18 | 19.00 | 4.00 | 30.80 | 27.00 | 35.00 | 75.85 | 3.10 |
| 20 | 19.00 | 4.00 | 34.20 | 29.40 | 38.00 | 75.85 | 3.10 |
| 22 | 19.00 | 4.00 | 37.40 | 31.80 | 41.00 | 75.85 | 3.10 |
| 24 | 20.60 | 4.00 | 40.90 | 34.90 | 44.50 | 75.85 | 3.70 |
| 28 | 20.60 | 4.00 | 46.70 | 39.70 | 50.80 | 75.85 | 3.70 |
| 32 | 22.20 | 4.00 | 53.40 | 44.50 | 57.00 | 86.05 | 4.40 |
| 36 | 22.20 | 4.00 | 59.60 | 49.20 | 63.50 | 86.05 | 4.40 |

| Shell Size | O ±0.30 | Q max. | E max. | N +0.25 -0.00 | W max. | G max. | H max. | V Thread in inches |
|------------|------------|-----------|-----------|---------------------|-----------|-----------|-----------|--------------------------|
| 10 SL | 24.70 | 24.10 | 25.00 | 15.80 | 38.00 | 16.70 | 22.00 | 5/8 - 24 UNEF |
| 14 S | 24.70 | 28.50 | 27.00 | 19.00 | 39.50 | 22.60 | 29.00 | 3/4 - 20 UNEF |
| 16 S | 24.70 | 31.75 | 28.00 | 22.20 | 43.00 | 25.80 | 31.00 | 7/8 - 20 UNEF |
| 16 | 33.80 | 31.75 | 28.00 | 22.20 | 52.50 | 25.80 | 31.00 | 7/8 - 20 UNEF |
| 18 | 34.50 | 34.10 | 31.00 | 25.40 | 54.00 | 28.90 | 34.00 | 1 - 20 UNEF |
| 20 | 34.50 | 37.30 | 34.00 | 28.55 | 59.00 | 32.20 | 37.00 | 1 3/16 - 18 UNEF |
| 22 | 34.50 | 40.50 | 34.00 | 31.75 | 59.00 | 35.30 | 40.00 | 1 3/16 - 18 UNEF |
| 24 | 35.70 | 43.80 | 37.00 | 34.90 | 63.90 | 38.50 | 44.00 | 1 7/16 - 18 UNEF |
| 28 | 35.70 | 50.00 | 39.00 | 41.25 | 63.90 | 44.80 | 49.50 | 1 7/16 - 18 UNEF |
| 32 | 37.30 | 56.10 | 45.00 | 48.25 | 70.00 | 51.20 | 56.00 | 1 3/4 - 18 UNS |
| 36 | 37.30 | 62.50 | 48.00 | 53.95 | 73.00 | 57.50 | 62.50 | 2 - 18 UNS |

Protective Cap

Have external threads and are meant to protect plugs.

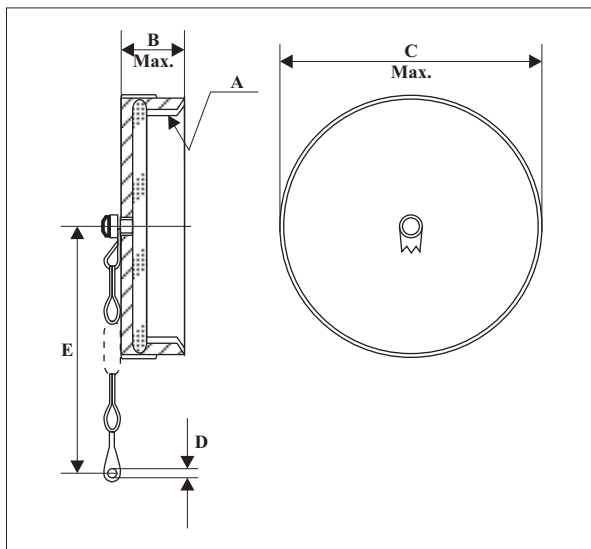


All dimensions are in mm

| MS P/N | Shell size | A Thread | B | C | D | E |
|-------------|------------|------------|-------|-------|------|--------|
| 25042 - 10D | 10 SL | 5/8 - 24 | 16.60 | 17.40 | 4.00 | 102.00 |
| 25042 - 14D | 14 S | 7/8 - 20 | 21.40 | 23.70 | 4.00 | 115.00 |
| 25042 - 16D | 16, 16S | 1 - 20 | 21.40 | 26.90 | 4.00 | 115.00 |
| 25042 - 18D | 18 | 1 1/8 - 18 | 21.40 | 30.00 | 4.00 | 115.00 |
| 25042 - 20D | 20 | 1 1/4 - 18 | 21.40 | 33.00 | 4.80 | 127.00 |
| 25042 - 22D | 22 | 1 3/8 - 18 | 21.40 | 36.40 | 4.80 | 127.00 |
| 25042 - 24D | 24 | 1 1/2 - 18 | 21.40 | 39.60 | 4.80 | 140.00 |
| 25042 - 28D | 28 | 1 3/4 - 18 | 21.40 | 46.00 | 4.80 | 197.00 |
| 25042 - 32D | 32 | 2 - 18 | 21.40 | 52.00 | 5.60 | 197.00 |
| 25042 - 36D | 36 | 2 1/4 - 16 | 21.40 | 58.70 | 5.60 | 197.00 |

Protective Cap

Have internal threads and are meant to protect receptacles.

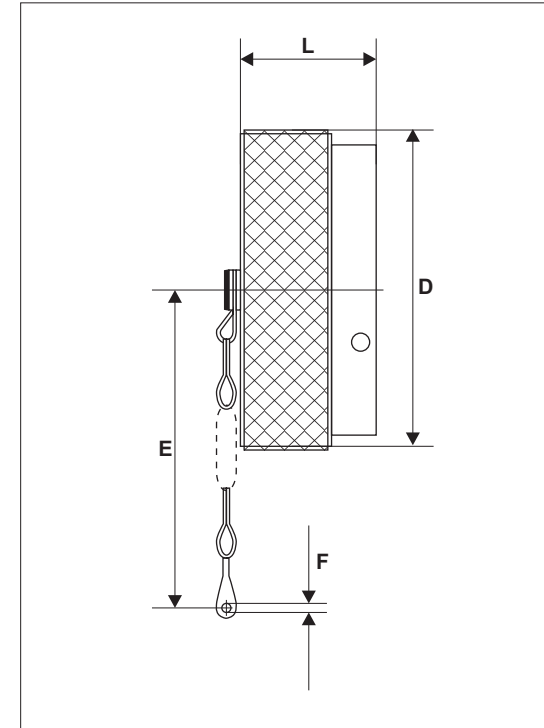


All dimensions are in mm

| MS P/N | Shell size | A Thread | B | C | D | E |
|-------------|------------|------------|-------|-------|------|--------|
| 25043 - 10D | 10 SL | 5/8 - 24 | 11.90 | 20.70 | 3.60 | 102.00 |
| 25043 - 14D | 14, 14 S | 7/8 - 20 | 11.90 | 28.60 | 3.60 | 115.00 |
| 25043 - 16D | 16, 16S | 1 - 20 | 11.90 | 30.20 | 3.60 | 115.00 |
| 25043 - 18D | 18 | 1 1/8 - 18 | 11.90 | 34.10 | 3.60 | 115.00 |
| 25043 - 20D | 20 | 1 1/4 - 18 | 11.90 | 37.30 | 4.40 | 127.00 |
| 25043 - 22D | 22 | 1 3/8 - 18 | 11.90 | 40.40 | 4.40 | 127.00 |
| 25043 - 24D | 24 | 1 1/2 - 18 | 11.90 | 43.60 | 4.40 | 140.00 |
| 25043 - 28D | 28 | 1 3/4 - 18 | 13.50 | 50.00 | 4.40 | 197.00 |
| 25043 - 32D | 32 | 2 - 18 | 13.50 | 56.30 | 4.80 | 197.00 |
| 25043 - 36D | 36 | 2 1/4 - 16 | 13.50 | 62.70 | 4.80 | 197.00 |

Protective Cap

Meant to protect reverse bayonet receptacles.

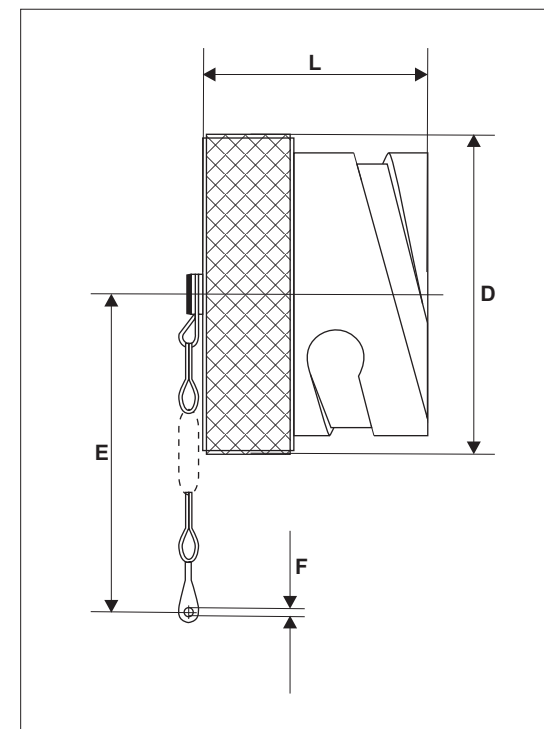


All dimensions are in mm

| Cap P/N | Shell size | D | F | L | E |
|--------------|------------|-------|------|-------|--------|
| RB 02 - 10SL | 10 SL | 23.00 | 4.20 | 15.50 | 108.00 |
| RB 02 - 14S | 14 S | 30.00 | 4.20 | 15.50 | 108.00 |
| RB 02 - 16S | 16S | 32.50 | 4.20 | 15.50 | 108.00 |
| RB 02 - 16 | 16 | 32.50 | 4.20 | 21.20 | 123.00 |
| RB 02 - 18 | 18 | 37.00 | 4.20 | 21.20 | 123.00 |
| RB 02 - 20 | 20 | 40.50 | 4.70 | 21.20 | 123.00 |
| RB 02 - 22 | 22 | 43.50 | 4.70 | 21.20 | 123.00 |
| RB 02 - 24 | 24 | 47.00 | 4.70 | 21.20 | 123.00 |
| RB 02 - 28 | 28 | 54.00 | 5.60 | 21.20 | 206.00 |
| RB 02 - 32 | 32 | 60.50 | 5.60 | 21.20 | 206.00 |
| RB 02 - 36 | 36 | 67.00 | 5.60 | 21.20 | 206.00 |

Protective Cap

Meant to protect reverse bayonet plugs.



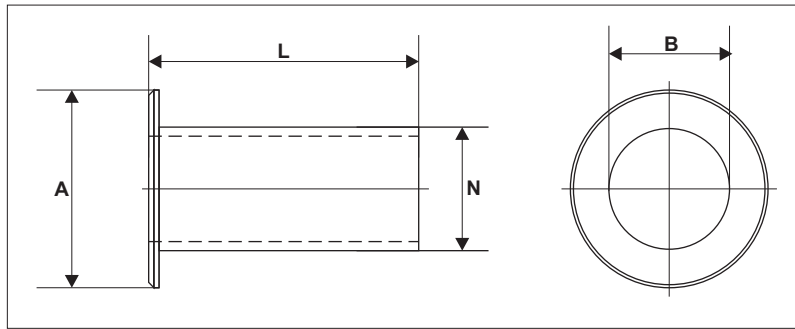
All dimensions are in mm

| Cap P/N | Shell size | D | F | L | E |
|--------------|------------|-------|------|-------|--------|
| RB 06 - 10SL | 10 SL | 23.00 | 4.20 | 24.00 | 108.00 |
| RB 06 - 14S | 14 S | 30.00 | 4.20 | 24.00 | 123.00 |
| RB 06 - 16S | 16S | 32.50 | 4.20 | 24.00 | 123.00 |
| RB 06 - 16 | 16 | 32.50 | 4.70 | 33.00 | 123.00 |
| RB 06 - 18 | 18 | 37.00 | 4.70 | 39.00 | 123.00 |
| RB 06 - 20 | 20 | 40.50 | 4.70 | 33.00 | 138.00 |
| RB 06 - 22 | 22 | 43.50 | 4.70 | 33.00 | 138.00 |
| RB 06 - 24 | 24 | 47.00 | 4.70 | 44.00 | 138.00 |
| RB 06 - 28 | 28 | 54.00 | 5.60 | 33.00 | 206.00 |
| RB 06 - 32 | 32 | 60.00 | 5.60 | 33.00 | 206.00 |
| RB 06 - 36 | 36 | 67.00 | 5.60 | 46.00 | 206.00 |



Telescoping Bushing

Made in Neoprene is meant to keep dirt, oil and moisture out of endbell. Combinations of bushings may be used to reduce cable entry diameter.

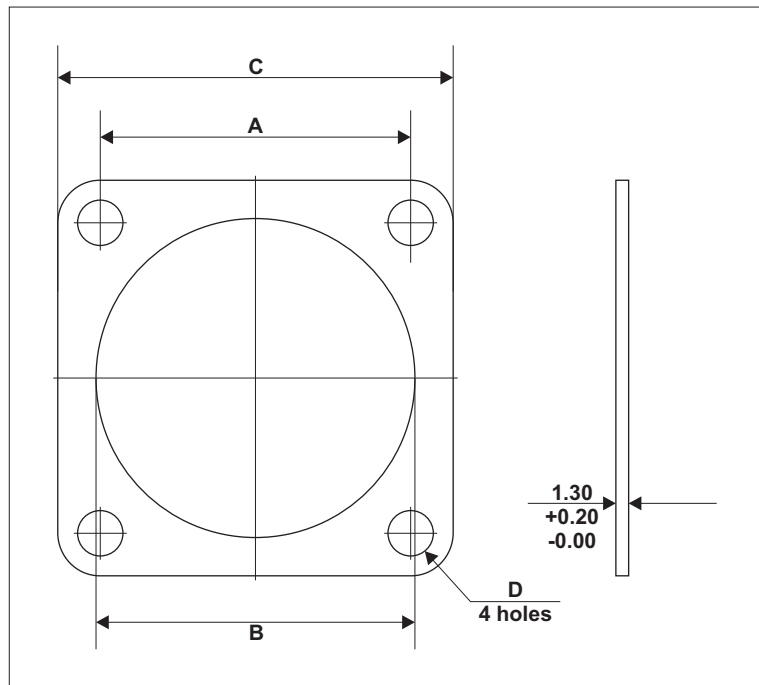


All dimensions are in mm

| MS P/N | Shell size | A | B | L | N |
|-----------|------------|-------|-------|-------|-------|
| 3420 - 4 | 10SL | 12.80 | 5.58 | 69.80 | 7.67 |
| 3420 - 6 | 14, 14S | 15.70 | 7.92 | 66.80 | 10.84 |
| 3420 - 8 | 16, 16S | 18.80 | 11.09 | 63.50 | 14.02 |
| 3420 - 10 | 18 | 22.00 | 14.27 | 60.30 | 15.62 |
| 3420 - 12 | 20, 22 | 27.00 | 15.87 | 57.10 | 18.79 |
| 3420 - 16 | 24, 28 | 33.30 | 19.05 | 53.90 | 23.54 |
| 3420 - 20 | 32 | 40.50 | 23.79 | 50.80 | 31.49 |
| 3420 - 24 | 36 | 46.90 | 31.75 | 47.60 | 34.67 |

Square Gasket

Flat gasket, made in Neoprene, is provided to take complete advantage of waterproof and pressure sealing features. It is used with flange mounted receptacle.



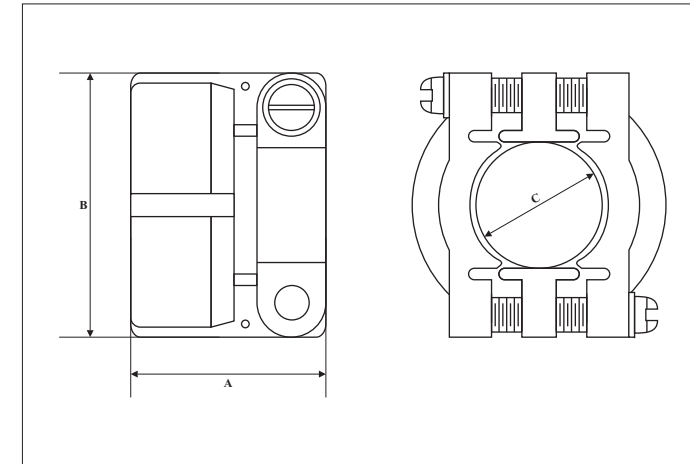
All dimensions are in mm

| Shell size | A | B | C | D |
|------------|------------|--------------------|--------------------|------------|
| | ± 0.20 | $+0.40$ -0.00 | $+0.40$ -0.00 | ± 0.20 |
| 10SL | 18.26 | 15.90 | 25.40 | 4.35 |
| 14, 14S | 23.01 | 22.20 | 30.15 | 4.35 |
| 16, 16S | 24.61 | 25.40 | 32.50 | 4.35 |
| 18 | 27.00 | 28.57 | 34.90 | 5.15 |
| 20 | 29.36 | 31.75 | 38.10 | 5.15 |
| 22 | 31.75 | 34.90 | 41.20 | 5.15 |
| 24 | 34.90 | 38.10 | 44.45 | 5.15 |
| 28 | 39.70 | 44.45 | 50.80 | 5.15 |
| 32 | 44.45 | 50.80 | 57.15 | 5.55 |
| 36 | 49.22 | 55.57 | 63.50 | 5.55 |



Cable Clamp - 3057

These back shell accessories can be used with both threaded and bayonet connectors.



All dimensions are in mm

| MS P/N | Shell size | Thread in inches | A | B | C |
|------------|------------|------------------|-------|-------|-------|
| 3057 - 4A | 10SL | 5/8 - 24 | 20.90 | 21.60 | 8.00 |
| 3057 - 6A | 14, 14S | 3/4 - 20 | 21.60 | 25.70 | 11.20 |
| 3057 - 8A | 16, 16S | 7/8 - 20 | 23.40 | 28.50 | 14.40 |
| 3057 - 10A | 18 | 1 - 20 | 23.40 | 31.00 | 15.70 |
| 3057 - 12A | 20, 22 | 1 3/16 - 18 | 23.70 | 35.80 | 19.00 |
| 3057 - 16A | 24, 28 | 1 7/16 - 18 | 25.90 | 42.90 | 23.80 |
| 3057 - 20A | 32 | 1 3/4 - 18 | 28.30 | 51.00 | 32.00 |
| 3057 - 24A | 36 | 2 - 18 | 29.50 | 57.50 | 35.00 |



Ordering Information

JI 3102 R 22 - 19 P W - XXX ± SQG
1 2 3 4 5 6 7 8 9

1. Prefix

- JI** - Threaded type
- RB** - Reverse Bayonet type
- JI-R** - Threaded type - ROHS compliant
- RB-R** - Reverse Bayonet type - ROHS compliant

2. Shell Style

- 3100** - Wall Mounting Receptacle
- 3101** - Cable Connector Receptacle
- 3102** - Box Mounting Receptacle
- 3106** - Cable Connecting Straight Plug
- 3108** - Right Angle Plug

3. Backshells

- A** - Non Environmental Solid backshell
- E** - Environmental resistance, with integral cable clamp
- F** - Environmental resistance, with integral cable clamp & 'O' ring seal
- R** - Backshell not included
- EB** - Endbell with cable clamp
- PGXX** - Adapter with PG gland (XX indicates PG Gland Size)

4. Shell Size

10SL, 14S, 16S, 16, 18, 20, 22, 24, 28, 32, 36

5. Insert Arrangements

Refer pages 6 - 10

6. Contact Type

- P** - Plug
- S** - Socket

7. Alternate Insert Positions

Refer page 11

8. Modifications

Pin Modifications

Omit for Standard (Silver Plated Solder Pins)

- C.10** - Silver Plated Crimp Pins
- C.15** - Gold Plated Solder Pins
- C.20** - Gold Plated Crimp Pins
- C.25** - Nickel Plated Pins with Screw terminations
- C.30** - Silver Plated Pins with PCB termination
- C.35** - Gold Plated Pins with PCB termination

Plating Modifications

Omit for Standard (Cadmium with Olive Drab Chromate)

- S.10** - Electrolytic Nickel Plating
- S.15** - Black Anodized
- S.20** - Zinc with Olive Drab Chromate Finish

9. Accesories

- TB** - Telescoping Bushing
- SQG** - Square Gasket
- C & C** - Cap & Chain
- 3057** - MS 3057 Cable Clamp

