



Prices effective July 5, 2023

Published January 2024

# Eames® Tables

HermanMiller list prices shown are in USD. For HermanMiller Canadian prices, multiply the USD list price by a factor of 1.20---effective July 2023.

<b>Introduction</b>	<b>page 2</b>
<b>Eames® Tables</b>	<b>3</b>
Occasional Tables	5
Low Conference Tables	20
Conference Tables	60
Standing Height Tables	128
Power Modules	192
Outdoor Tables	204
<b>Indices</b>	<b>233</b>
By Name	233
By Number	235
<b>Appendices</b>	
20-Day or Less/Assigned Lead-Time Order Information	
Stain-to-Match Program	
<b>For the latest materials information, refer to the Materials pages on HermanMiller.com.</b>	

# Introduction

## A Note on the Organization of This Book

There are a few signals that will help you understand the organization of this book. Once you know them, you should be able to find your way around easily.

### Like a newspaper, this book is formatted with columns of text and illustrations that run vertically.

Information wraps from one column to the next and continues for as many pages as it needs to.

### Black bars are clues.

A black bar at the top of a page signals the start of information about a product.

This information is divided into two sections, each signaled by a black bar. Product Information includes a description, additional notes, and dimensional drawings. Specification Information, which always begins at the top of a column, includes a series of steps. Each step represents a decision you need to make in order to complete your product number. Steps must be followed sequentially. The number of pages needed to complete information on a product varies; some will be complete in one page; others may fill three or four pages. Just continue going through the steps until you run into the next product, signaled by the black bar at the top of the page.

Black tabs running along the outside edge of the page help you locate what section you are in or what section you want to go to. You can thumb forwards or backwards to find a section; tabs and text appear on both sides of the page.

The additional pages in the back of the book include the appendices and indices. They are signaled by a long black bar running along the outside edge of the page.

### The index is presented two ways.

The first index is in alphabetical order by product name. It can be helpful if you are new to the products and numbering scheme or if you are looking for a type of product, such as work chair or round table.

The second index is by product number. It lists, in alphanumeric order, the base product number, typically a five-digit number.

## General Information

This book is effective July 5, 2023, subject to change without notice. Products may be purchased from authorized Herman Miller dealers who will quote prices upon request. For more information about our products and services or to see a list of dealers, visit [www.HermanMiller.com](http://www.HermanMiller.com).


All prices are list prices. Additional services, such as planning services, design, storage, and installation, are not included and must be added to these prices when the additional services are requested.


Illustrations, specifications, and prices are based on the latest information at the time of publication. The right is reserved to make changes at any time without notice in prices, fabrics, finishes, materials, specifications, and models, and also to discontinue models and finishes.

Dimensions shown in the drawings are engineering drawing dimensions rounded up to the nearest  $\frac{1}{8}$ ". Product is shipped set up or knocked down. Products that include "Shipped knocked down" in the description require some assembly. If this statement does not appear in the description, the product is shipped assembled.

Service problems are normally handled by a Herman Miller authorized dealer. Where this cannot be accomplished on a local level, service problems should be referred to the Customer Care Representative for your region, Herman Miller, Inc., Zeeland, Michigan 49464.

### 20-Day or Less/Assigned Lead-Time Shipments

All products and options in this price book not designated by an Assigned Program icon  will ship in **20 business days or less** after being acknowledged by Herman Miller.

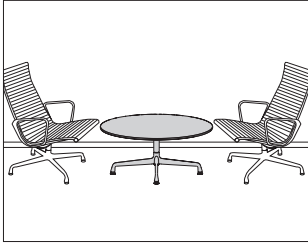
Products and options designated by an  are on the assigned lead-time program and may ship in 20 days, less than 20 days, or more than 20 days from order acknowledgement.

**Tables**

**Outdoor Tables**



Eames® Occasional Table, Round ET307  
 ET308  
 ET309  
 ET310



**Product Information**

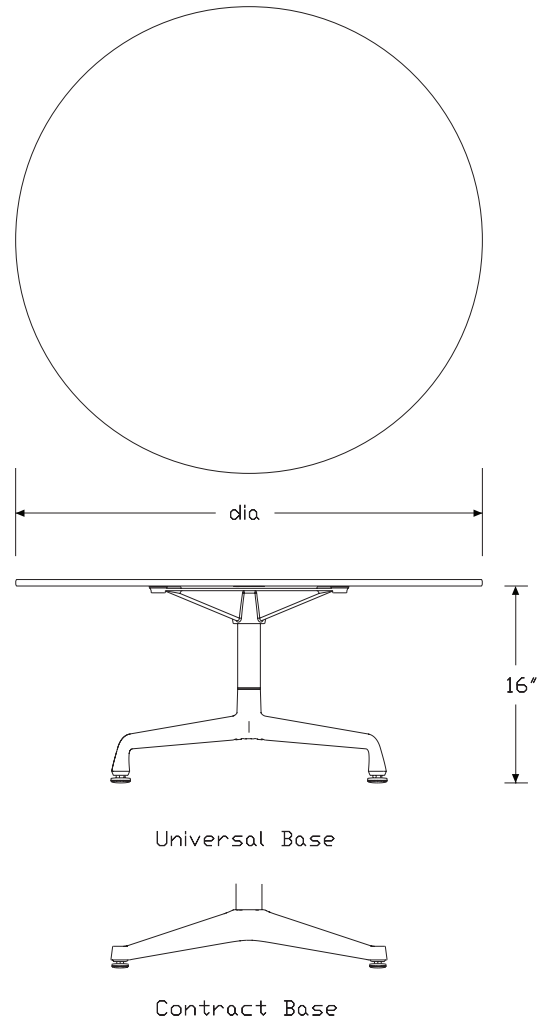
**Description**

This table has a laminate or veneer top with vinyl edge, a veneer top and edge, a thin-profile HPL top with black edge, a back-painted glass top with modified bullnose edge, or a solid wood top. Table may be specified with cutouts to accommodate simple power options (specified separately). Each table has adjustable glides or casters. Shipped knocked down.

**Notes**

Tables have a 1-piece top and single column base.  
 Laminate and veneer tops are 7/8" thick.  
 Thin profile HPL tops are 1/2" thick.  
 Glass tops are back-painted, with a satin etch finish to reduce the appearance of fingerprints. Tops are 1/2" thick.  
 30" and 36" diameter tables may only accommodate USB access.  
 Single center cutout (CC) grommet option must be specified. Grommet option is a non-functional hole plug. For USB access, order round dual USB charging unit (ET990.) separately.  
 42" and 48" diameter tables may accommodate power. Single center cutout (CC) grommet option must be specified. Grommet provides simple pass-through with wire management features and a hinged lid.  
 For power access, order round power module (ET991.) separately.  
 Santos palisander veneer is celebrated for its unique grain and color variations. Similar products ordered in multiples or dissimilar products ordered separately should be expected to have variation in both grain and color characteristics; no two products will look exactly alike.

**Dimensions**



# Eames® Occasional Table, Round

continued

Eames® Tables

## Specification Information

### Step 1.

**ET**

### Step 2. Height

**3** 16" high

### Step 3. Diameter

**07** 30" diameter

**08** 36" diameter

**09** 42" diameter

**10** 48" diameter

### Step 4. Base

#### For 30" diameter (07) or 36" diameter (08)

**C** contract base

**U** universal base

#### For 42" diameter (09) or 48" diameter (10)

**C** contract base

### Step 5. Surface Material

#### For 30" diameter (07), 36" diameter (08), or 42" diameter (09)

**C** veneer top with vinyl edge

**G** back-painted glass top

**L** high-pressure laminate top with vinyl edge

**M** thin profile HPL top with black edge

**W** veneer top with veneer edge

**SW** solid wood top A

#### For 48" diameter (10)

**C** veneer top with vinyl edge A

**G** back-painted glass top A

**L** high-pressure laminate top with vinyl edge A

**M** thin profile HPL top with black edge A

**W** veneer top with veneer edge A

### Step 6. Grommets

**CC** single center cutout

**NG** no grommet

## Prices for Steps 1-6.

		CC	NG
<b>ET307</b>	<b>C C</b>	\$1527	1463
	<b>G</b>	\$5578	4970
	<b>L</b>	\$1311	1246
	<b>M</b>	\$2386	2273
	<b>W</b>	\$1714	1650
	<b>SW</b>	\$4371	5029
	<b>U C</b>	\$1527	1463
	<b>G</b>	\$5578	4970
	<b>L</b>	\$1311	1246
	<b>M</b>	\$2386	2273
<b>W</b>	\$1714	1650	
<b>SW</b>	\$4371	5029	

		CC	NG
<b>ET308</b>	<b>C C</b>	\$1745	1678
	<b>G</b>	\$7037	6444
	<b>L</b>	\$1515	1447
	<b>M</b>	\$3081	2965
	<b>W</b>	\$2003	1938
	<b>SW</b>	\$6024	6682
	<b>U C</b>	\$1745	1678
	<b>G</b>	\$7037	6444
	<b>L</b>	\$1515	1447
	<b>M</b>	\$3081	2965
<b>W</b>	\$2003	1938	
<b>SW</b>	\$6024	6682	

		CC	NG
<b>ET309</b>	<b>C C</b>	\$2444	2113
	<b>G</b>	\$9129	8350
	<b>L</b>	\$2170	1838
	<b>M</b>	\$5016	4683
	<b>W</b>	\$2704	2372
	<b>SW</b>	\$7091	7750

		CC	NG
<b>ET310</b>	<b>C C</b>	\$2648	2315
	<b>G</b>	\$11121	10330
	<b>L</b>	\$2359	2024
	<b>M</b>	\$5132	4797
	<b>W</b>	\$2892	2561

# Eames® Occasional Table, Round

continued

## Step 7.

### Top Finish

#### For back-painted glass top (G)

<b>8Q</b>	folkstone grey	+\$0
<b>91</b>	white	+\$0
<b>BK</b>	black	+\$0
<b>WN</b>	warm grey neutral	+\$0

### Top Finish

#### For thin profile HPL top with black edge (M)

<b>91</b>	white	+\$0
<b>BK</b>	black	+\$0
<b>G1</b>	graphite	+\$0

### Top Finish

#### For high-pressure laminate top with vinyl edge (L)

<b>8Q</b>	folkstone grey	+\$0
<b>91</b>	white	+\$0
<b>98</b>	studio white	+\$0
<b>BKM</b>	black matte	+\$0
<b>CL</b>	cool grey neutral	+\$0
<b>HF</b>	inner tone light	+\$0
<b>LT</b>	light tone	+\$0
<b>LU</b>	soft white	+\$0
<b>WL</b>	sandstone	+\$0
<b>WN</b>	warm grey neutral	+\$0

### Top Finish

#### For 30" diameter (07) with solid wood top (SW)

<b>OU</b>	walnut <span style="border: 1px solid black; padding: 0 2px;">A</span>	+\$335
<b>WHN</b>	natural white oak <span style="border: 1px solid black; padding: 0 2px;">A</span>	+\$0

### Top Finish

#### For 36" diameter (08) with solid wood top (SW)

<b>OU</b>	walnut <span style="border: 1px solid black; padding: 0 2px;">A</span>	+\$480
<b>WHN</b>	natural white oak <span style="border: 1px solid black; padding: 0 2px;">A</span>	+\$0

### Top Finish

#### For 42" diameter (09) with solid wood top (SW)

<b>OU</b>	walnut <span style="border: 1px solid black; padding: 0 2px;">A</span>	+\$580
<b>WHN</b>	natural white oak <span style="border: 1px solid black; padding: 0 2px;">A</span>	+\$0

### Top Finish

#### For 30" diameter (07) or 36" diameter (08) with veneer top with vinyl edge (C)

<b>2U</b>	light brown walnut	+\$105
<b>40</b>	dark brown walnut	+\$105
<b>9N</b>	santos palisander	+\$380
<b>A2</b>	white ash	+\$105
<b>CHD</b>	noble cherry	+\$105
<b>EN</b>	ebony	+\$105
<b>OU</b>	walnut	+\$105
<b>UL</b>	natural maple	+\$105
<b>WHN</b>	natural white oak	+\$105

### Top Finish

#### For 42" diameter (09) with veneer top with vinyl edge (C)

<b>2U</b>	light brown walnut	+\$130
<b>40</b>	dark brown walnut	+\$130
<b>9N</b>	santos palisander	+\$720
<b>A2</b>	white ash	+\$130
<b>CHD</b>	noble cherry	+\$130
<b>EN</b>	ebony	+\$130
<b>OU</b>	walnut	+\$130
<b>UL</b>	natural maple	+\$130
<b>WHN</b>	natural white oak	+\$130

### Top Finish

#### For 48" diameter (10) with veneer top with vinyl edge (C)

<b>2U</b>	light brown walnut	+\$175
<b>40</b>	dark brown walnut	+\$175
<b>9N</b>	santos palisander	+\$839
<b>A2</b>	white ash	+\$175
<b>CHD</b>	noble cherry	+\$175
<b>EN</b>	ebony	+\$175
<b>OU</b>	walnut	+\$175
<b>UL</b>	natural maple	+\$175
<b>WHN</b>	natural white oak	+\$175

# Eames® Occasional Table, Round

continued

Eames® Tables

Top/Edge Finish		
<i>For 30" diameter (07) or 36" diameter (08) with veneer top with veneer edge (W)</i>		
<b>2U</b>	light brown walnut	+\$105
<b>40</b>	dark brown walnut	+\$105
<b>9N</b>	santos palisander	+\$380
<b>A2</b>	white ash	+\$105
<b>CHD</b>	noble cherry	+\$105
<b>EN</b>	ebony	+\$105
<b>OU</b>	walnut	+\$105
<b>UL</b>	natural maple	+\$105
<b>WHN</b>	natural white oak	+\$105

Top/Edge Finish		
<i>For 42" diameter (09) with veneer top with veneer edge (W)</i>		
<b>2U</b>	light brown walnut	+\$130
<b>40</b>	dark brown walnut	+\$130
<b>9N</b>	santos palisander	+\$720
<b>A2</b>	white ash	+\$130
<b>CHD</b>	noble cherry	+\$130
<b>EN</b>	ebony	+\$130
<b>OU</b>	walnut	+\$130
<b>UL</b>	natural maple	+\$130
<b>WHN</b>	natural white oak	+\$130

Top/Edge Finish		
<i>For 48" diameter (10) with veneer top with veneer edge (W)</i>		
<b>2U</b>	light brown walnut	+\$175
<b>40</b>	dark brown walnut	+\$175
<b>9N</b>	santos palisander	+\$839
<b>A2</b>	white ash	+\$175
<b>CHD</b>	noble cherry	+\$175
<b>EN</b>	ebony	+\$175
<b>OU</b>	walnut	+\$175
<b>UL</b>	natural maple	+\$175
<b>WHN</b>	natural white oak	+\$175

Step 8. Edge Finish		
<i>For veneer top with vinyl edge (C) or high-pressure laminate top with vinyl edge (L)</i>		
<b>8Q</b>	folkstone grey	+\$0
<b>91</b>	white	+\$0
<b>98</b>	studio white	+\$0
<b>BK</b>	black	+\$0
<b>BU</b>	black umber	+\$0
<b>CL</b>	cool grey neutral	+\$0
<b>HF</b>	inner tone light	+\$0
<b>LT</b>	light tone	+\$0
<b>LU</b>	soft white	+\$0
<b>SG</b>	slate grey	+\$0
<b>WL</b>	sandstone	+\$0
<b>WN</b>	warm grey neutral	+\$0

Step 9. Grommet Finish		
<i>For 30" diameter (07) or 36" diameter (08) with veneer top with vinyl edge (C), back-painted glass top (G), or high-pressure laminate top with vinyl edge (L), or thin profile HPL top with black edge (M), or veneer top with veneer edge (W) with single center cutout (CC)</i>		
<b>PA</b>	polished aluminum	+\$0

<i>For 30" diameter (07) or 36" diameter (08) with solid wood top (SW) with single center cutout (CC)</i>		
<b>NF</b>	no finish <span style="border: 1px solid black; padding: 0 2px;">A</span>	+\$0

<i>For 42" diameter (09) or 48" diameter (10) with veneer top with vinyl edge (C), back-painted glass top (G), or high-pressure laminate top with vinyl edge (L), or thin profile HPL top with black edge (M), or veneer top with veneer edge (W) with single center cutout (CC)</i>		
<b>91</b>	white	+\$0
<b>BK</b>	black	+\$0
<b>PA</b>	polished aluminum	+\$0

<i>For 42" diameter (09) with solid wood top (SW) with single center cutout (CC)</i>		
<b>91</b>	white <span style="border: 1px solid black; padding: 0 2px;">A</span>	+\$0
<b>BK</b>	black <span style="border: 1px solid black; padding: 0 2px;">A</span>	+\$0
<b>PA</b>	polished aluminum <span style="border: 1px solid black; padding: 0 2px;">A</span>	+\$0



# Eames® Occasional Table, Round

continued

Step 10. Column Finish		
<b>91</b>	white	+\$0
<b>BK</b>	black	+\$0
<b>BU</b>	black umber	+\$0
<b>CL</b>	cool grey neutral	+\$0
<b>CN</b>	metallic champagne	+\$0
<b>EH</b>	metallic bronze	+\$0
<b>G2</b>	graphite satin	+\$0
<b>HF</b>	inner tone light	+\$0
<b>LT</b>	light tone	+\$0
<b>LU</b>	soft white	+\$0
<b>MS</b>	metallic silver	+\$0
<b>MT</b>	medium tone	+\$0
<b>SG</b>	slate grey	+\$0
<b>WN</b>	warm grey neutral	+\$0

Step 11. Base Finish		
<b>91</b>	white	+\$0
<b>BK</b>	black	+\$0
<b>BU</b>	black umber	+\$0
<b>CL</b>	cool grey neutral	+\$0
<b>CN</b>	metallic champagne	+\$0
<b>EH</b>	metallic bronze	+\$0
<b>G2</b>	graphite satin	+\$0
<b>HF</b>	inner tone light	+\$0
<b>LT</b>	light tone	+\$0
<b>LU</b>	soft white	+\$0
<b>MS</b>	metallic silver	+\$0
<b>MT</b>	medium tone	+\$0
<b>PA</b>	polished aluminum	+\$0
<b>SG</b>	slate grey	+\$0
<b>WN</b>	warm grey neutral	+\$0

## Step 12. Casters/Glides

*For veneer top with vinyl edge (C), high-pressure laminate top with vinyl edge (L), thin profile HPL top with black edge (M), veneer top with veneer edge (W), or solid wood top (SW)*

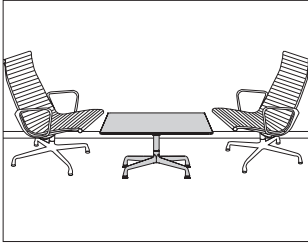
<b>C</b>	casters	+\$80
<b>G</b>	glides	+\$0

*For back-painted glass top (G)*

<b>G</b>	glides	+\$0
----------	--------	------

Eames® Occasional Table,  
Square

ET304  
ET305  
ET306  
ET348



Eames® Tables

**Product Information**

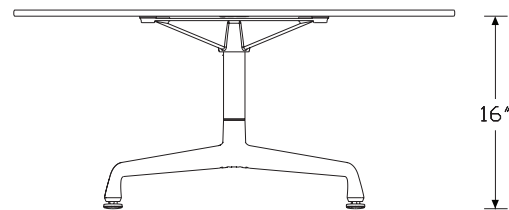
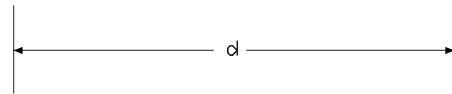
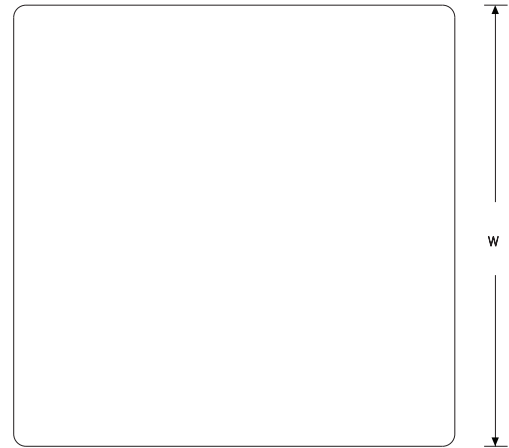
**Description**

This table has a laminate or veneer top with vinyl edge, a veneer top and edge, a thin-profile HPL top with black edge, a back-painted glass top with modified bullnose edge, or a solid wood top. Table may be specified with cutouts to accommodate simple power options (specified separately). Each table has adjustable glides or casters. Shipped knocked down.

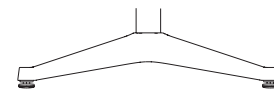
**Notes**

Tables have a 1-piece top and single column base.  
 Laminate and veneer tops are 7/8" thick.  
 Thin profile HPL tops are 1/2" thick.  
 Glass tops are back-painted, with a satin etch finish to reduce the appearance of fingerprints. Tops are 1/2" thick.  
 30" and 36" tables may only accommodate USB access. Single center cutout (CC) grommet option must be specified. Grommet option is a non-functional hole plug. For USB access, order round dual USB charging unit (ET990.) separately.  
 42" and 48" tables may accommodate power. Single center cutout (CC) grommet option must be specified. Grommet provides simple pass-through with wire management features and a hinged lid. For power access, order round power module (ET991.) separately.  
 Santos palisander veneer is celebrated for its unique grain and color variations. Similar products ordered in multiples or dissimilar products ordered separately should be expected to have variation in both grain and color characteristics; no two products will look exactly alike.

**Dimensions**



Universal Base



Contract Base

# Eames® Occasional Table, Square *continued*

## Specification Information

### Step 1.

**ET**

### Step 2. Height

**3** 16" high

### Step 3. Depth/Width

**04** 30" deep x 30" wide  
**05** 36" deep x 36" wide  
**06** 42" deep x 42" wide  
**48** 48" deep x 48" wide

### Step 4. Base

*For 30" deep x 30" wide (04) or 36" deep x 36" wide (05)*

**C** contract base  
**U** universal base

*For 42" deep x 42" wide (06) or 48" deep x 48" wide (48)*

**C** contract base

### Step 5. Surface Material

*For 30" deep x 30" wide (04), 36" deep x 36" wide (05), or 42" deep x 42" wide (06)*

**L** high-pressure laminate top with vinyl edge  
**C** veneer top with vinyl edge  
**W** veneer top with veneer edge  
**M** thin profile HPL top with black edge  
**G** back-painted glass top  
**SW** solid wood top A

*For 48" deep x 48" wide (48)*

**L** high-pressure laminate top with vinyl edge A  
**C** veneer top with vinyl edge A  
**W** veneer top with veneer edge A  
**M** thin profile HPL top with black edge A  
**G** back-painted glass top A

### Step 6. Grommets

**NG** no grommet  
**CC** single center cutout

## Prices for Steps 1-6.

		NG	CC
<b>ET304</b>	<b>C L</b>	\$1246	1311
	<b>C</b>	\$1463	1527
	<b>W</b>	\$1650	1714
	<b>M</b>	\$2273	2386
	<b>G</b>	\$4970	5578
	<b>SW</b>	\$4371	5029
	<b>U L</b>	\$1246	1311
	<b>C</b>	\$1463	1527
	<b>W</b>	\$1650	1714
	<b>M</b>	\$2273	2386
<b>G</b>	\$4970	5578	
<b>SW</b>	\$4371	5029	

		NG	CC
<b>ET305</b>	<b>C L</b>	\$1447	1515
	<b>C</b>	\$1678	1745
	<b>W</b>	\$1938	2003
	<b>M</b>	\$2965	3081
	<b>G</b>	\$6444	7037
	<b>SW</b>	\$6024	6682
	<b>U L</b>	\$1447	1515
	<b>C</b>	\$1678	1745
	<b>W</b>	\$1938	2003
	<b>M</b>	\$2965	3081
<b>G</b>	\$6444	7037	
<b>SW</b>	\$6024	6682	

		NG	CC
<b>ET306</b>	<b>C L</b>	\$1838	2170
	<b>C</b>	\$2113	2444
	<b>W</b>	\$2372	2704
	<b>M</b>	\$4683	5016
	<b>G</b>	\$8350	9129
	<b>SW</b>	\$7091	7750

		NG	CC
<b>ET348</b>	<b>C L</b>	\$2024	2359
	<b>C</b>	\$2315	2648
	<b>W</b>	\$2561	2892
	<b>M</b>	\$4797	5132
	<b>G</b>	\$10330	11121

# Eames® Occasional Table, Square *continued*

Step 7.

Top Finish: Top Finish

*For back-painted glass top (G)*

<b>8Q</b>	folkstone grey	+\$0
<b>91</b>	white	+\$0
<b>BK</b>	black	+\$0
<b>WN</b>	warm grey neutral	+\$0

Top Finish: Top Finish

*For thin profile HPL top with black edge (M)*

<b>91</b>	white	+\$0
<b>BK</b>	black	+\$0
<b>G1</b>	graphite	+\$0

Top Finish: Solid-Color Laminate

*For high-pressure laminate top with vinyl edge (L)*

<b>8Q</b>	folkstone grey	+\$0
<b>91</b>	white	+\$0
<b>98</b>	studio white	+\$0
<b>BKM</b>	black matte	+\$0
<b>CL</b>	cool grey neutral	+\$0
<b>HF</b>	inner tone light	+\$0
<b>LT</b>	light tone	+\$0
<b>LU</b>	soft white	+\$0
<b>WL</b>	sandstone	+\$0
<b>WN</b>	warm grey neutral	+\$0

Top Finish

*For 30" deep x 30" wide (04) with solid wood top (SW)*

<b>OU</b>	walnut <span style="border: 1px solid black; padding: 0 2px;">A</span>	+\$335
<b>WHN</b>	natural white oak <span style="border: 1px solid black; padding: 0 2px;">A</span>	+\$0

Top Finish

*For 36" deep x 36" wide (05) with solid wood top (SW)*

<b>OU</b>	walnut <span style="border: 1px solid black; padding: 0 2px;">A</span>	+\$480
<b>WHN</b>	natural white oak <span style="border: 1px solid black; padding: 0 2px;">A</span>	+\$0

Top Finish

*For 42" deep x 42" wide (06) with solid wood top (SW)*

<b>OU</b>	walnut <span style="border: 1px solid black; padding: 0 2px;">A</span>	+\$580
<b>WHN</b>	natural white oak <span style="border: 1px solid black; padding: 0 2px;">A</span>	+\$0

Top Finish: Wood Veneer

*For 30" deep x 30" wide (04) or 36" deep x 36" wide (05) with veneer top with vinyl edge (C)*

<b>2U</b>	light brown walnut	+\$105
<b>40</b>	dark brown walnut	+\$105
<b>9N</b>	santos palisander	+\$380
<b>A2</b>	white ash	+\$105
<b>CHD</b>	noble cherry	+\$105
<b>EN</b>	ebony	+\$105
<b>OU</b>	walnut	+\$105
<b>UL</b>	natural maple	+\$105
<b>WHN</b>	natural white oak	+\$0

Top Finish: Wood Veneer

*For 42" deep x 42" wide (06) with veneer top with vinyl edge (C)*

<b>2U</b>	light brown walnut	+\$130
<b>40</b>	dark brown walnut	+\$130
<b>9N</b>	santos palisander	+\$720
<b>A2</b>	white ash	+\$130
<b>CHD</b>	noble cherry	+\$130
<b>EN</b>	ebony	+\$130
<b>OU</b>	walnut	+\$130
<b>UL</b>	natural maple	+\$130
<b>WHN</b>	natural white oak	+\$0

Top Finish: Wood Veneer

*For 48" deep x 48" wide (48) with veneer top with vinyl edge (C)*

<b>2U</b>	light brown walnut	+\$175
<b>40</b>	dark brown walnut	+\$175
<b>9N</b>	santos palisander	+\$839
<b>A2</b>	white ash	+\$175
<b>CHD</b>	noble cherry	+\$175
<b>EN</b>	ebony	+\$175
<b>OU</b>	walnut	+\$175
<b>UL</b>	natural maple	+\$175
<b>WHN</b>	natural white oak	+\$0

Eames® Occasional Table,  
Square *continued*

Top/Edge Finish		
<i>For 30" deep x 30" wide (04) or 36" deep x 36" wide (05) with veneer top with veneer edge (W)</i>		
<b>2U</b>	light brown walnut	+\$105
<b>40</b>	dark brown walnut	+\$105
<b>9N</b>	santos palisander	+\$380
<b>A2</b>	white ash	+\$105
<b>CHD</b>	noble cherry	+\$105
<b>EN</b>	ebony	+\$105
<b>OU</b>	walnut	+\$105
<b>UL</b>	natural maple	+\$105
<b>WHN</b>	natural white oak	+\$0

Top/Edge Finish		
<i>For 42" deep x 42" wide (06) with veneer top with veneer edge (W)</i>		
<b>2U</b>	light brown walnut	+\$130
<b>40</b>	dark brown walnut	+\$130
<b>9N</b>	santos palisander	+\$720
<b>A2</b>	white ash	+\$130
<b>CHD</b>	noble cherry	+\$130
<b>EN</b>	ebony	+\$130
<b>OU</b>	walnut	+\$130
<b>UL</b>	natural maple	+\$130
<b>WHN</b>	natural white oak	+\$0

Top/Edge Finish		
<i>For 48" deep x 48" wide (48) with veneer top with veneer edge (W)</i>		
<b>2U</b>	light brown walnut	+\$175
<b>40</b>	dark brown walnut	+\$175
<b>9N</b>	santos palisander	+\$839
<b>A2</b>	white ash	+\$175
<b>CHD</b>	noble cherry	+\$175
<b>EN</b>	ebony	+\$175
<b>OU</b>	walnut	+\$175
<b>UL</b>	natural maple	+\$175
<b>WHN</b>	natural white oak	+\$0

Step 8. Edge Finish		
<i>For high-pressure laminate top with vinyl edge (L) or veneer top with vinyl edge (C)</i>		
<b>8Q</b>	folkstone grey	+\$0
<b>91</b>	white	+\$0
<b>98</b>	studio white	+\$0
<b>BK</b>	black	+\$0
<b>BU</b>	black umber	+\$0
<b>CL</b>	cool grey neutral	+\$0
<b>HF</b>	inner tone light	+\$0
<b>LT</b>	light tone	+\$0
<b>LU</b>	soft white	+\$0
<b>SG</b>	slate grey	+\$0
<b>WL</b>	sandstone	+\$0
<b>WN</b>	warm grey neutral	+\$0

Step 9. Grommet Finish		
<i>For 30" deep x 30" wide (04) or 36" deep x 36" wide (05) with high-pressure laminate top with vinyl edge (L), veneer top with vinyl edge (C), or veneer top with veneer edge (W), or thin profile HPL top with black edge (M), or back-painted glass top (G) with single center cutout (CC)</i>		
<b>PA</b>	polished aluminum	+\$0

<i>For 30" deep x 30" wide (04) or 36" deep x 36" wide (05) with solid wood top (SW) with single center cutout (CC)</i>		
<b>NF</b>	no finish <span style="border: 1px solid black; padding: 0 2px;">A</span>	+\$0

<i>For 42" deep x 42" wide (06) or 48" deep x 48" wide (48) with high-pressure laminate top with vinyl edge (L), veneer top with vinyl edge (C), or veneer top with veneer edge (W), or thin profile HPL top with black edge (M), or back-painted glass top (G) with single center cutout (CC)</i>		
<b>91</b>	white	+\$0
<b>BK</b>	black	+\$0
<b>PA</b>	polished aluminum	+\$0

<i>For 42" deep x 42" wide (06) with solid wood top (SW) with single center cutout (CC)</i>		
<b>91</b>	white <span style="border: 1px solid black; padding: 0 2px;">A</span>	+\$0
<b>BK</b>	black <span style="border: 1px solid black; padding: 0 2px;">A</span>	+\$0
<b>PA</b>	polished aluminum <span style="border: 1px solid black; padding: 0 2px;">A</span>	+\$0

# Eames® Occasional Table, Square *continued*

Eames® Tables

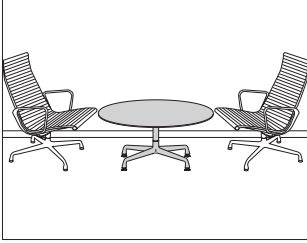
Step 10. Column Finish		
<b>91</b>	white	+\$0
<b>BK</b>	black	+\$0
<b>BU</b>	black umber	+\$0
<b>CL</b>	cool grey neutral	+\$0
<b>CN</b>	metallic champagne	+\$0
<b>EH</b>	metallic bronze	+\$0
<b>G2</b>	graphite satin	+\$0
<b>HF</b>	inner tone light	+\$0
<b>LT</b>	light tone	+\$0
<b>LU</b>	soft white	+\$0
<b>MS</b>	metallic silver	+\$0
<b>MT</b>	medium tone	+\$0
<b>SG</b>	slate grey	+\$0
<b>WN</b>	warm grey neutral	+\$0

Step 11. Base Finish		
<b>91</b>	white	+\$0
<b>BK</b>	black	+\$0
<b>BU</b>	black umber	+\$0
<b>CL</b>	cool grey neutral	+\$0
<b>CN</b>	metallic champagne	+\$0
<b>EH</b>	metallic bronze	+\$0
<b>G2</b>	graphite satin	+\$0
<b>HF</b>	inner tone light	+\$0
<b>LT</b>	light tone	+\$0
<b>LU</b>	soft white	+\$0
<b>MS</b>	metallic silver	+\$0
<b>MT</b>	medium tone	+\$0
<b>PA</b>	polished aluminum	+\$0
<b>SG</b>	slate grey	+\$0
<b>WN</b>	warm grey neutral	+\$0

Step 12. Casters/Glides		
<i>For high-pressure laminate top with vinyl edge (L), veneer top with vinyl edge (C), veneer top with veneer edge (W), thin profile HPL top with black edge (M), or solid wood top (SW)</i>		
<b>C</b>	casters	+\$80
<b>G</b>	glides	+\$0
<i>For back-painted glass top (G)</i>		
<b>G</b>	glides	+\$0

Eames® Occasional Table,  
Round, Stone

ET307  
ET308  
ET309  
ET310



**Product Information**

**Description**

This table has a stone top and comes with adjustable glides. Ships knocked down with assembly required. Top and base components ship in separate packages.

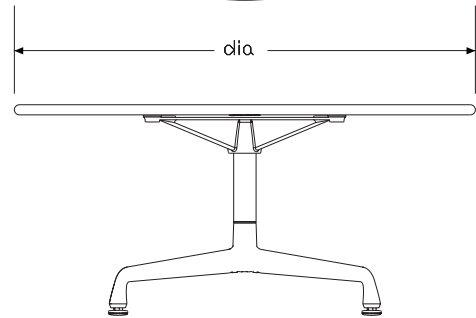
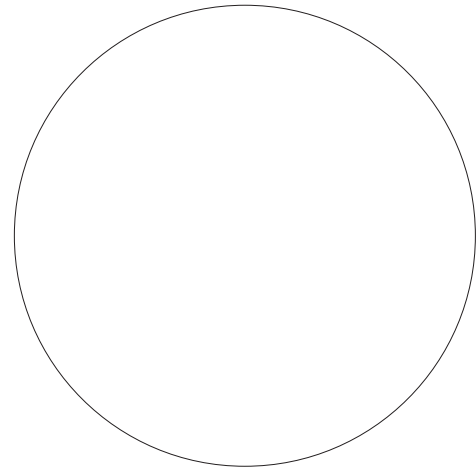
**Notes**

Stone top is  $\frac{3}{4}$ " thick and has a full bullnose edge profile.

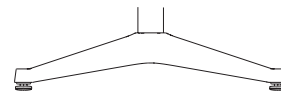
Marble tops have a honed finish; quartz tops have a polished finish.

Natural characteristics in stone cause variations in hues, veins, crystals, and distinctive marks. These variations and subtle changes seen as the stone ages are values associated with natural materials. No two tabletops are identically the same; variations in both color and veining are to be expected. Over time the stone may fade in color, staining of the surface may appear, and surface cracks, if not already visible at time of purchase, may appear. Small cracks do not affect the structure of the tabletop.

**Dimensions**



Universal Base



Contract Base

Eames® Occasional Table,  
Round, Stone *continued*

Eames® Tables

**Specification Information**

Step 1.

**ET**  A

Step 2. Height

**3** 16" high  A

Step 3. Diameter

**07** 30" diameter  A

**08** 36" diameter  A

**09** 42" diameter  A

**10** 48" diameter  A

Step 4. Base

*For 30" diameter (07) or 36" diameter (08)*

**U** universal base  A

**C** contract base  A

*For 42" diameter (09) or 48" diameter (10)*

**C** contract base  A

Step 5. Surface Material

**S** stone top  A

Prices for Steps 1-5.

**S**

<b>ET307 U</b>	\$5845
<b>C</b>	\$5845

<b>ET308 U</b>	\$7050
<b>C</b>	\$7050

<b>ET309 C</b>	\$10260
----------------	---------

<b>ET310 C</b>	\$10627
----------------	---------

Step 6. Top Finish

*For 30" diameter (07) with stone top (S)*

**5U** georgia grey marble  A +\$436

**CRR** Carrara marble  A +\$436

**QBL** black quartz  A +\$270

**QCN** concrete quartz  A -\$250

**QPL** pearl quartz  A -\$250

*For 36" diameter (08) with stone top (S)*

**5U** georgia grey marble  A +\$526

**CRR** Carrara marble  A +\$0

**QBL** black quartz  A -\$300

**QCN** concrete quartz  A -\$900

**QPL** pearl quartz  A -\$900

*For 42" diameter (09) with stone top (S)*

**5U** georgia grey marble  A +\$610

**CRR** Carrara marble  A -\$1000

**QBL** black quartz  A -\$1200

**QCN** concrete quartz  A -\$1800

**QPL** pearl quartz  A -\$1800

*For 48" diameter (10) with stone top (S)*

**5U** georgia grey marble  A +\$711

**CRR** Carrara marble  A -\$1000

**QBL** black quartz  A -\$1200

**QCN** concrete quartz  A -\$1800

**QPL** pearl quartz  A -\$1800

Step 7. Column Finish

**91** white  A +\$0

**BK** black  A +\$0

**BU** black umber  A +\$0

**CL** cool grey neutral  A +\$0

**G2** graphite satin  A +\$0

**HF** inner tone light  A +\$0

**LT** light tone  A +\$0

**LU** soft white  A +\$0

**MT** medium tone  A +\$0

**SG** slate grey  A +\$0

**WN** warm grey neutral  A +\$0

**CN** metallic champagne  A +\$0

**EH** metallic bronze  A +\$0

**MS** metallic silver  A +\$0



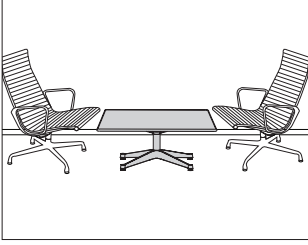
Eames® Occasional Table,  
Round, Stone *continued*

Step 8. Base Finish

<b>91</b>	white <input type="checkbox"/>	+\$0
<b>BK</b>	black <input type="checkbox"/>	+\$0
<b>BU</b>	black umber <input type="checkbox"/>	+\$0
<b>CL</b>	cool grey neutral <input type="checkbox"/>	+\$0
<b>G2</b>	graphite satin <input type="checkbox"/>	+\$0
<b>HF</b>	inner tone light <input type="checkbox"/>	+\$0
<b>LT</b>	light tone <input type="checkbox"/>	+\$0
<b>LU</b>	soft white <input type="checkbox"/>	+\$0
<b>MT</b>	medium tone <input type="checkbox"/>	+\$0
<b>PA</b>	polished aluminum <input type="checkbox"/>	+\$0
<b>SG</b>	slate grey <input type="checkbox"/>	+\$0
<b>WN</b>	warm grey neutral <input type="checkbox"/>	+\$0
<b>CN</b>	metallic champagne <input type="checkbox"/>	+\$0
<b>EH</b>	metallic bronze <input type="checkbox"/>	+\$0
<b>MS</b>	metallic silver <input type="checkbox"/>	+\$0

Eames® Occasional Table,  
Square, Stone

ET304  
ET306



Eames® Tables

**Product Information**

**Description**

This table has a stone top and comes with adjustable glides. Ships knocked down with assembly required. Top and base components ship in separate packages.

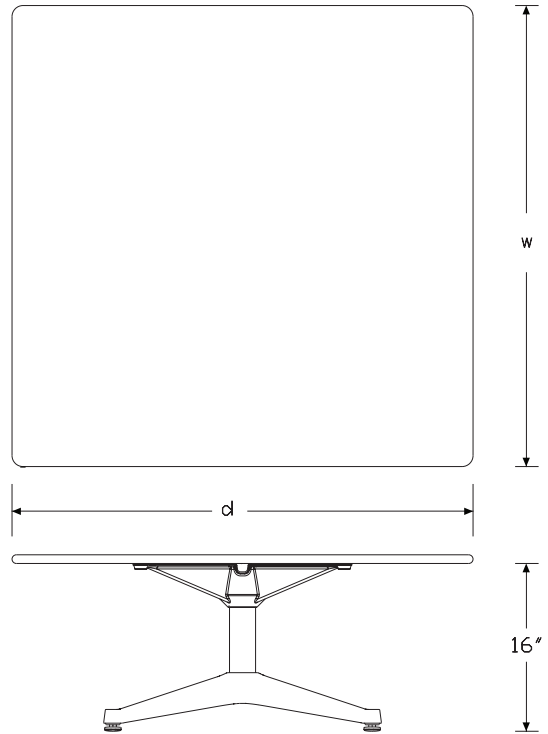
**Notes**

Stone top is  $\frac{3}{4}$ " thick and has a full bullnose edge profile.

Marble tops have a honed finish; quartz tops have a polished finish.

Natural characteristics in stone cause variations in hues, veins, crystals, and distinctive marks. These variations and subtle changes seen as the stone ages are values associated with natural materials. No two tabletops are identically the same; variations in both color and veining are to be expected. Over time the stone may fade in color, staining of the surface may appear, and surface cracks, if not already visible at time of purchase, may appear. Small cracks do not affect the structure of the tabletop.

**Dimensions**



Contract Base



Universal Base

# Eames® Occasional Table, Square, Stone *continued*

## Specification Information

### Step 1.

**ET**

### Step 2. Height

**3** 16" high

### Step 3. Depth/Width

**04** 30" deep x 30" wide

**06** 42" deep x 42" wide

### Step 4. Base

#### For 30" deep x 30" wide (04)

**U** universal base

**C** contract base

#### For 42" deep x 42" wide (06)

**C** contract base

### Step 5. Surface Material

**S** stone top

### Prices for Steps 1-5.

	<b>S</b>
<b>ET304 U</b>	\$5845
<b>C</b>	\$5845
<b>ET306 C</b>	\$10260

### Step 6. Top Finish

#### For 30" deep x 30" wide (04) with stone top (S)

<b>5U</b> georgia grey marble <input type="checkbox"/>	+\$436
<b>CRR</b> Carrara marble <input type="checkbox"/>	+\$436
<b>QBL</b> black quartz <input type="checkbox"/>	+\$270
<b>QCN</b> concrete quartz <input type="checkbox"/>	-\$250
<b>QPL</b> pearl quartz <input type="checkbox"/>	-\$250

#### For 42" deep x 42" wide (06) with stone top (S)

<b>5U</b> georgia grey marble <input type="checkbox"/>	+\$610
<b>CRR</b> Carrara marble <input type="checkbox"/>	-\$1000
<b>QBL</b> black quartz <input type="checkbox"/>	-\$1200
<b>QCN</b> concrete quartz <input type="checkbox"/>	-\$1800
<b>QPL</b> pearl quartz <input type="checkbox"/>	-\$1800

### Step 7. Column Finish

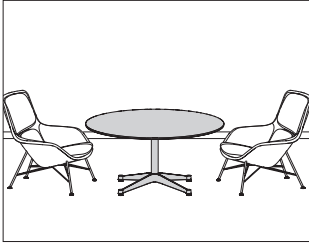
<b>91</b> white <input type="checkbox"/>	+\$0
<b>BK</b> black <input type="checkbox"/>	+\$0
<b>BU</b> black umber <input type="checkbox"/>	+\$0
<b>CL</b> cool grey neutral <input type="checkbox"/>	+\$0
<b>G2</b> graphite satin <input type="checkbox"/>	+\$0
<b>HF</b> inner tone light <input type="checkbox"/>	+\$0
<b>LT</b> light tone <input type="checkbox"/>	+\$0
<b>LU</b> soft white <input type="checkbox"/>	+\$0
<b>MT</b> medium tone <input type="checkbox"/>	+\$0
<b>SG</b> slate grey <input type="checkbox"/>	+\$0
<b>WN</b> warm grey neutral <input type="checkbox"/>	+\$0
<b>CN</b> metallic champagne <input type="checkbox"/>	+\$0
<b>EH</b> metallic bronze <input type="checkbox"/>	+\$0
<b>MS</b> metallic silver <input type="checkbox"/>	+\$0

### Step 8. Base Finish

<b>91</b> white <input type="checkbox"/>	+\$0
<b>BK</b> black <input type="checkbox"/>	+\$0
<b>BU</b> black umber <input type="checkbox"/>	+\$0
<b>CL</b> cool grey neutral <input type="checkbox"/>	+\$0
<b>G2</b> graphite satin <input type="checkbox"/>	+\$0
<b>HF</b> inner tone light <input type="checkbox"/>	+\$0
<b>LT</b> light tone <input type="checkbox"/>	+\$0
<b>LU</b> soft white <input type="checkbox"/>	+\$0
<b>MT</b> medium tone <input type="checkbox"/>	+\$0
<b>PA</b> polished aluminum <input type="checkbox"/>	+\$0
<b>SG</b> slate grey <input type="checkbox"/>	+\$0
<b>WN</b> warm grey neutral <input type="checkbox"/>	+\$0
<b>CN</b> metallic champagne <input type="checkbox"/>	+\$0
<b>EH</b> metallic bronze <input type="checkbox"/>	+\$0
<b>MS</b> metallic silver <input type="checkbox"/>	+\$0

Eames® Low Conference Table,  
Round

- ET207
- ET208
- ET222
- ET223
- ET224
- ET225
- ET226
- ET227
- ET229



Eames® Tables

**Product Information**

**Description**

This table has a laminate or veneer top with vinyl edge, a veneer top and edge, a thin-profile HPL top with black edge, a back-painted glass top with modified bullnose edge, or a solid wood top. Table may be specified with cutouts to accommodate simple power options (specified separately). Each table has adjustable glides or casters. Shipped knocked down.

**Notes**

30"-60" tables have a 1-piece top and single column base. 66"-96" tables have 2-piece tops and a 4-column segmented base.

Laminate and veneer tops 30"-48" diameter are 7/8" thick; tops 54"-96" diameter are 1 1/4" thick.

Thin profile HPL tops are 1/2" thick.

Glass tops are back-painted, with a satin etch finish to reduce the appearance of fingerprints. Tops 30"-48" diameter are 1/2" thick; tops 54"-60" diameter are 1/2" thick with a Formcoat® substructure.

30" and 36" diameter tables may only accommodate USB access.

Single center cutout (CC) grommet option must be specified. Grommet option is a non-functional hole plug. For USB access, order round dual USB charging unit (ET990.) separately.

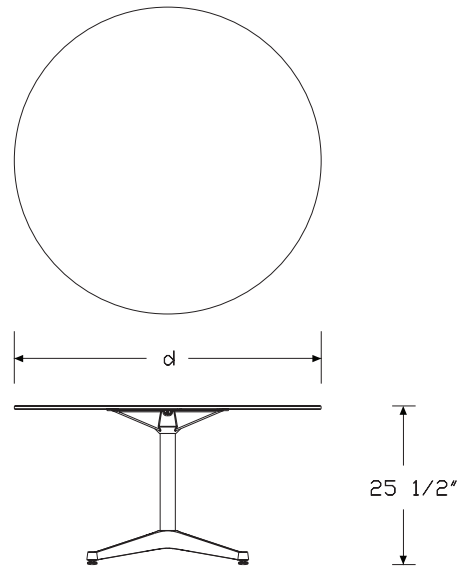
42"-60" diameter tables may accommodate power. Single center cutout (CC) grommet option must be specified. Grommet provides simple pass-through with wire management features and a hinged lid.

For power access, order round power module (ET991.) separately.

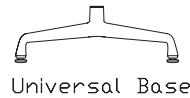
Multiple column tables (66"-96" diameter) may accommodate up to 4 power modules. Four cutouts (C4) option must be specified; cutouts are aligned above the columns. Grommets provide simple pass-through with wire management features and a hinged lid. For power access, order round power module (ET991.) separately.

Santos palisander veneer is celebrated for its unique grain and color variations. Similar products ordered in multiples or dissimilar products ordered separately should be expected to have variation in both grain and color characteristics; no two products will look exactly alike.

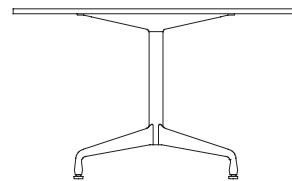
**Dimensions**



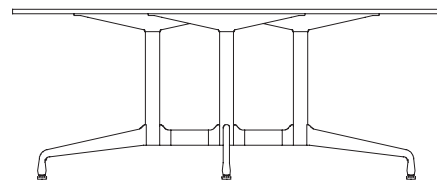
Contract Base



Universal Base



30"-60" Diameter, Segmented Base



66"-96" Diameter, Segmented Base

Eames® Low Conference Table,  
Round *continued*

**Specification Information**

**Step 1.**

**ET**

**Step 2. Height**

**2** 25½" high

**Step 3. Diameter**

- 07** 30" diameter
- 08** 36" diameter
- 22** 42" diameter
- 23** 48" diameter
- 24** 54" diameter
- 25** 60" diameter
- 26** 66" diameter
- 27** 72" diameter
- 29** 84" diameter
- 31** 96" diameter

**Step 4. Base**

*For 30" diameter (07) or 36" diameter (08)*

- C** contract base
- U** universal base

*For 42" diameter (22) or 48" diameter (23)*

- C** contract base
- S** segmented base

*For 54" diameter (24), 60" diameter (25), 66" diameter (26), 72" diameter (27), 84" diameter (29), or 96" diameter (31)*

- S** segmented base

**Step 5. Surface Material**

*For 30" diameter (07), 36" diameter (08), or 42" diameter (22)*

- L** high-pressure laminate top with vinyl edge
- C** veneer top with vinyl edge A
- W** veneer top with veneer edge A
- M** thin profile HPL top with black edge
- G** back-painted glass top
- SW** solid wood top A

*For 48" diameter (23)*

- L** high-pressure laminate top with vinyl edge A
- C** veneer top with vinyl edge A
- W** veneer top with veneer edge A
- M** thin profile HPL top with black edge A
- G** back-painted glass top A

*For 66" diameter (26), 72" diameter (27), 84" diameter (29), or 96" diameter (31)*

- L** high-pressure laminate top with vinyl edge
- C** veneer top with vinyl edge
- W** veneer top with veneer edge

*For 54" diameter (24) or 60" diameter (25)*

- L** high-pressure laminate top with vinyl edge A
- C** veneer top with vinyl edge A
- W** veneer top with veneer edge A
- G** back-painted glass top A

**Step 6. Grommets**

*For 30" diameter (07), 36" diameter (08), 42" diameter (22), 48" diameter (23), 54" diameter (24), or 60" diameter (25)*

- NG** no grommet
- CC** single center cutout

*For 66" diameter (26), 72" diameter (27), 84" diameter (29), or 96" diameter (31)*

- NG** no grommet
- C4** four cutouts

**Prices for Steps 1-6.**

			<b>NG</b>	<b>C4</b>	<b>CC</b>
<b>ET207</b>	<b>C</b>	<b>L</b>	\$1246	—	1311
		<b>C</b>	\$1463	—	1527
		<b>W</b>	\$1650	—	1714
		<b>M</b>	\$2273	—	2386
		<b>G</b>	\$4970	—	5578
		<b>SW</b>	\$4371	—	5029
<b>U</b>	<b>L</b>	<b>L</b>	\$1246	—	1311
		<b>C</b>	\$1463	—	1527
		<b>W</b>	\$1650	—	1714
		<b>M</b>	\$2273	—	2386
		<b>G</b>	\$4970	—	5578
		<b>SW</b>	\$4371	—	5029

Eames® Low Conference Table,  
Round *continued*

Eames® Tables

			NG	C4	CC
ET208	C	L	\$1447	—	1515
		C	\$1678	—	1745
		W	\$1938	—	2003
		M	\$2965	—	3081
		G	\$6444	—	7037
		SW	\$6024	—	6682
U	L	L	\$1447	—	1515
		C	\$1678	—	1745
		W	\$1938	—	2003
		M	\$2965	—	3081
		G	\$6444	—	7037
		SW	\$6024	—	6682
ET222	C	L	\$1838	—	2170
		C	\$2113	—	2444
		W	\$2372	—	2704
		M	\$4683	—	5016
		G	\$8350	—	9129
		SW	\$7091	—	7750
S	L	L	\$1838	—	2170
		C	\$2113	—	2444
		W	\$2372	—	2704
		M	\$4683	—	5016
		G	\$8350	—	9129
		SW	\$7091	—	7750
ET223	C	L	\$2024	—	2359
		C	\$2315	—	2648
		W	\$2561	—	2892
		M	\$4797	—	5132
		G	\$10330	—	11121
		SW	\$2024	—	2359
S	L	L	\$2024	—	2359
		C	\$2315	—	2648
		W	\$2561	—	2892
		M	\$4797	—	5132
		G	\$10330	—	11121
		SW	\$2024	—	2359
ET224	S	L	\$2517	—	2847
		C	\$2918	—	3253
		W	\$3108	—	3439
		G	\$14516	—	15052

			NG	C4	CC
ET225	S	L	\$3253	—	3585
		C	\$3727	—	4061
		W	\$4161	—	4495
		G	\$17391	—	18084
ET226	S	L	\$4737	6068	—
		C	\$5244	6574	—
		W	\$5822	7152	—
ET227	S	L	\$4939	6267	—
		C	\$5592	6919	—
		W	\$6239	7571	—
ET229	S	L	\$5576	6903	—
		C	\$6487	7816	—
		W	\$7209	8537	—
ET231	S	L	\$6771	8100	—
		C	\$7975	9302	—
		W	\$8840	10169	—

Step 7.

Top Finish: Finish

*For back-painted glass top (G)*

<b>8Q</b>	folkstone grey	+\$0
<b>91</b>	white	+\$0
<b>BK</b>	black	+\$0
<b>WN</b>	warm grey neutral	+\$0

Top Finish

*For thin profile HPL top with black edge (M)*

<b>91</b>	white	+\$0
<b>G1</b>	graphite	+\$0
<b>BK</b>	black	+\$0

Eames® Low Conference Table,  
Round *continued*

Top Finish: Solid-Color Laminate		
<i>For high-pressure laminate top with vinyl edge (L)</i>		
<b>8Q</b>	folkstone grey	+\$0
<b>91</b>	white	+\$0
<b>98</b>	studio white	+\$0
<b>BKM</b>	black matte	+\$0
<b>CL</b>	cool grey neutral	+\$0
<b>HF</b>	inner tone light	+\$0
<b>LT</b>	light tone	+\$0
<b>LU</b>	soft white	+\$0
<b>WL</b>	sandstone	+\$0
<b>WN</b>	warm grey neutral	+\$0

Top Finish		
<i>For 30" diameter (07) with solid wood top (SW)</i>		
<b>OU</b>	walnut <b>A</b>	+\$335
<b>WHN</b>	natural white oak <b>A</b>	+\$0

Top Finish		
<i>For 36" diameter (08) with solid wood top (SW)</i>		
<b>OU</b>	walnut <b>A</b>	+\$480
<b>WHN</b>	natural white oak <b>A</b>	+\$0

Top Finish		
<i>For 42" diameter (22) with solid wood top (SW)</i>		
<b>OU</b>	walnut <b>A</b>	+\$580
<b>WHN</b>	natural white oak <b>A</b>	+\$0

Top Finish: Wood Veneer		
<i>For 30" diameter (07) with veneer top with vinyl edge (C)</i>		
<b>2U</b>	light brown walnut	+\$105
<b>40</b>	dark brown walnut	+\$105
<b>9N</b>	santos palisander	+\$380
<b>A2</b>	white ash	+\$105
<b>CHD</b>	noble cherry	+\$105
<b>EN</b>	ebony	+\$105
<b>OU</b>	walnut	+\$105
<b>UL</b>	natural maple	+\$105
<b>WHN</b>	natural white oak	+\$105

Top Finish: Wood Veneer		
<i>For 36" diameter (08) with veneer top with vinyl edge (C)</i>		
<b>2U</b>	light brown walnut	+\$105
<b>40</b>	dark brown walnut	+\$105
<b>9N</b>	santos palisander	+\$380
<b>A2</b>	white ash	+\$105
<b>CHD</b>	noble cherry	+\$105
<b>EN</b>	ebony	+\$105
<b>OU</b>	walnut	+\$105
<b>UL</b>	natural maple	+\$105
<b>WHN</b>	natural white oak	+\$105

Top Finish: Wood Veneer		
<i>For 42" diameter (22) with veneer top with vinyl edge (C)</i>		
<b>2U</b>	light brown walnut	+\$130
<b>40</b>	dark brown walnut	+\$130
<b>9N</b>	santos palisander	+\$720
<b>A2</b>	white ash	+\$130
<b>CHD</b>	noble cherry	+\$130
<b>EN</b>	ebony	+\$130
<b>OU</b>	walnut	+\$130
<b>UL</b>	natural maple	+\$130
<b>WHN</b>	natural white oak	+\$130

Top Finish: Wood Veneer		
<i>For 48" diameter (23) with veneer top with vinyl edge (C)</i>		
<b>2U</b>	light brown walnut	+\$175
<b>40</b>	dark brown walnut	+\$175
<b>9N</b>	santos palisander	+\$839
<b>A2</b>	white ash	+\$175
<b>CHD</b>	noble cherry	+\$175
<b>EN</b>	ebony	+\$175
<b>OU</b>	walnut	+\$175
<b>UL</b>	natural maple	+\$175
<b>WHN</b>	natural white oak	+\$175

Top Finish: Wood Veneer		
<i>For 54" diameter (24) with veneer top with vinyl edge (C)</i>		
<b>2U</b>	light brown walnut	+\$230
<b>40</b>	dark brown walnut	+\$230
<b>9N</b>	santos palisander	+\$976
<b>A2</b>	white ash	+\$230
<b>CHD</b>	noble cherry	+\$230
<b>EN</b>	ebony	+\$230
<b>OU</b>	walnut	+\$230
<b>UL</b>	natural maple	+\$230
<b>WHN</b>	natural white oak	+\$230

Eames® Low Conference Table,  
Round *continued*

Eames® Tables

Top Finish: Wood Veneer		
<i>For 60" diameter (25) with veneer top with vinyl edge (C)</i>		
<b>2U</b>	light brown walnut	+\$365
<b>40</b>	dark brown walnut	+\$365
<b>9N</b>	santos palisander	+\$2044
<b>A2</b>	white ash	+\$365
<b>CHD</b>	noble cherry	+\$365
<b>EN</b>	ebony	+\$365
<b>OU</b>	walnut	+\$365
<b>UL</b>	natural maple	+\$365
<b>WHN</b>	natural white oak	+\$365

Top Finish: Wood Veneer		
<i>For 66" diameter (26) with veneer top with vinyl edge (C)</i>		
<b>2U</b>	light brown walnut	+\$365
<b>40</b>	dark brown walnut	+\$365
<b>9N</b>	santos palisander	+\$2044
<b>A2</b>	white ash	+\$365
<b>CHD</b>	noble cherry	+\$365
<b>EN</b>	ebony	+\$365
<b>OU</b>	walnut	+\$365
<b>UL</b>	natural maple	+\$365
<b>WHN</b>	natural white oak	+\$365

Top Finish: Wood Veneer		
<i>For 72" diameter (27) with veneer top with vinyl edge (C)</i>		
<b>2U</b>	light brown walnut	+\$365
<b>40</b>	dark brown walnut	+\$365
<b>9N</b>	santos palisander	+\$2044
<b>A2</b>	white ash	+\$365
<b>CHD</b>	noble cherry	+\$365
<b>EN</b>	ebony	+\$365
<b>OU</b>	walnut	+\$365
<b>UL</b>	natural maple	+\$365
<b>WHN</b>	natural white oak	+\$365

Top Finish: Wood Veneer		
<i>For 84" diameter (29) with veneer top with vinyl edge (C)</i>		
<b>2U</b>	light brown walnut	+\$425
<b>40</b>	dark brown walnut	+\$425
<b>9N</b>	santos palisander	+\$2380
<b>A2</b>	white ash	+\$425
<b>CHD</b>	noble cherry	+\$425
<b>EN</b>	ebony	+\$425
<b>OU</b>	walnut	+\$425
<b>UL</b>	natural maple	+\$425
<b>WHN</b>	natural white oak	+\$425

Top Finish: Wood Veneer		
<i>For 96" diameter (31) with veneer top with vinyl edge (C)</i>		
<b>2U</b>	light brown walnut	+\$495
<b>40</b>	dark brown walnut	+\$495
<b>9N</b>	santos palisander	+\$2782
<b>A2</b>	white ash	+\$495
<b>CHD</b>	noble cherry	+\$495
<b>EN</b>	ebony	+\$495
<b>OU</b>	walnut	+\$495
<b>UL</b>	natural maple	+\$495
<b>WHN</b>	natural white oak	+\$495

Top/Edge Finish		
<i>For 30" diameter (07) with veneer top with veneer edge (W)</i>		
<b>2U</b>	light brown walnut	+\$105
<b>40</b>	dark brown walnut	+\$105
<b>9N</b>	santos palisander	+\$380
<b>A2</b>	white ash	+\$105
<b>CHD</b>	noble cherry	+\$105
<b>EN</b>	ebony	+\$105
<b>OU</b>	walnut	+\$105
<b>UL</b>	natural maple	+\$105
<b>WHN</b>	natural white oak	+\$105

Top/Edge Finish		
<i>For 36" diameter (08) with veneer top with veneer edge (W)</i>		
<b>2U</b>	light brown walnut	+\$105
<b>40</b>	dark brown walnut	+\$105
<b>9N</b>	santos palisander	+\$380
<b>A2</b>	white ash	+\$105
<b>CHD</b>	noble cherry	+\$105
<b>EN</b>	ebony	+\$105
<b>OU</b>	walnut	+\$105
<b>UL</b>	natural maple	+\$105
<b>WHN</b>	natural white oak	+\$105

Top/Edge Finish		
<i>For 42" diameter (22) with veneer top with veneer edge (W)</i>		
<b>2U</b>	light brown walnut	+\$130
<b>40</b>	dark brown walnut	+\$130
<b>9N</b>	santos palisander	+\$720
<b>A2</b>	white ash	+\$130
<b>CHD</b>	noble cherry	+\$130
<b>EN</b>	ebony	+\$130
<b>OU</b>	walnut	+\$130
<b>UL</b>	natural maple	+\$130
<b>WHN</b>	natural white oak	+\$130



Eames® Low Conference Table,  
Round *continued*

Top/Edge Finish		
<i>For 48" diameter (23) with veneer top with veneer edge (W)</i>		
<b>2U</b>	light brown walnut	+\$175
<b>40</b>	dark brown walnut	+\$175
<b>9N</b>	santos palisander	+\$839
<b>A2</b>	white ash	+\$175
<b>CHD</b>	noble cherry	+\$175
<b>EN</b>	ebony	+\$175
<b>OU</b>	walnut	+\$175
<b>UL</b>	natural maple	+\$175
<b>WHN</b>	natural white oak	+\$175

Top/Edge Finish		
<i>For 54" diameter (24) with veneer top with veneer edge (W)</i>		
<b>2U</b>	light brown walnut	+\$230
<b>40</b>	dark brown walnut	+\$230
<b>9N</b>	santos palisander	+\$976
<b>A2</b>	white ash	+\$230
<b>CHD</b>	noble cherry	+\$230
<b>EN</b>	ebony	+\$230
<b>OU</b>	walnut	+\$230
<b>UL</b>	natural maple	+\$230
<b>WHN</b>	natural white oak	+\$230

Top/Edge Finish		
<i>For 60" diameter (25) with veneer top with veneer edge (W)</i>		
<b>2U</b>	light brown walnut	+\$365
<b>40</b>	dark brown walnut	+\$365
<b>9N</b>	santos palisander	+\$2044
<b>A2</b>	white ash	+\$365
<b>CHD</b>	noble cherry	+\$365
<b>EN</b>	ebony	+\$365
<b>OU</b>	walnut	+\$365
<b>UL</b>	natural maple	+\$365
<b>WHN</b>	natural white oak	+\$365

Top/Edge Finish		
<i>For 66" diameter (26) with veneer top with veneer edge (W)</i>		
<b>2U</b>	light brown walnut	+\$365
<b>40</b>	dark brown walnut	+\$365
<b>9N</b>	santos palisander	+\$2044
<b>A2</b>	white ash	+\$365
<b>CHD</b>	noble cherry	+\$365
<b>EN</b>	ebony	+\$365
<b>OU</b>	walnut	+\$365
<b>UL</b>	natural maple	+\$365
<b>WHN</b>	natural white oak	+\$365

Top/Edge Finish		
<i>For 72" diameter (27) with veneer top with veneer edge (W)</i>		
<b>2U</b>	light brown walnut	+\$365
<b>40</b>	dark brown walnut	+\$365
<b>9N</b>	santos palisander	+\$2044
<b>A2</b>	white ash	+\$365
<b>CHD</b>	noble cherry	+\$365
<b>EN</b>	ebony	+\$365
<b>OU</b>	walnut	+\$365
<b>UL</b>	natural maple	+\$365
<b>WHN</b>	natural white oak	+\$365

Top/Edge Finish		
<i>For 84" diameter (29) with veneer top with veneer edge (W)</i>		
<b>2U</b>	light brown walnut	+\$425
<b>40</b>	dark brown walnut	+\$425
<b>9N</b>	santos palisander	+\$2380
<b>A2</b>	white ash	+\$425
<b>CHD</b>	noble cherry	+\$425
<b>EN</b>	ebony	+\$425
<b>OU</b>	walnut	+\$425
<b>UL</b>	natural maple	+\$425
<b>WHN</b>	natural white oak	+\$425

Top/Edge Finish		
<i>For 96" diameter (31) with veneer top with veneer edge (W)</i>		
<b>2U</b>	light brown walnut	+\$495
<b>40</b>	dark brown walnut	+\$495
<b>9N</b>	santos palisander	+\$2782
<b>A2</b>	white ash	+\$495
<b>CHD</b>	noble cherry	+\$495
<b>EN</b>	ebony	+\$495
<b>OU</b>	walnut	+\$495
<b>UL</b>	natural maple	+\$495
<b>WHN</b>	natural white oak	+\$495

# Eames® Low Conference Table, Round *continued*

Eames® Tables

Step 8. Edge Finish		
<i>For high-pressure laminate top with vinyl edge (L) or veneer top with vinyl edge (C)</i>		
<b>8Q</b>	folkstone grey	+\$0
<b>91</b>	white	+\$0
<b>98</b>	studio white	+\$0
<b>BK</b>	black	+\$0
<b>BU</b>	black umber	+\$0
<b>CL</b>	cool grey neutral	+\$0
<b>HF</b>	inner tone light	+\$0
<b>LT</b>	light tone	+\$0
<b>LU</b>	soft white	+\$0
<b>SG</b>	slate grey	+\$0
<b>WL</b>	sandstone	+\$0
<b>WN</b>	warm grey neutral	+\$0

Step 9. Grommet Finish		
<i>For 30" diameter (07) or 36" diameter (08) with high-pressure laminate top with vinyl edge (L), veneer top with vinyl edge (C), or veneer top with veneer edge (W), or thin profile HPL top with black edge (M), or back-painted glass top (G) with single center cutout (CC)</i>		
<b>PA</b>	polished aluminum	+\$0

<i>For 30" diameter (07) or 36" diameter (08) with solid wood top (SW) with single center cutout (CC)</i>		
<b>NF</b>	no finish <input type="checkbox"/>	+\$0

<i>For 42" diameter (22), 48" diameter (23), 54" diameter (24), 60" diameter (25), 66" diameter (26), 72" diameter (27), 84" diameter (29), or 96" diameter (31) with high-pressure laminate top with vinyl edge (L), or veneer top with vinyl edge (C), or veneer top with veneer edge (W), or thin profile HPL top with black edge (M), or back-painted glass top (G) with four cutouts (C4), or single center cutout (CC)</i>		
<b>91</b>	white	+\$0
<b>BK</b>	black	+\$0
<b>PA</b>	polished aluminum	+\$0

<i>For 42" diameter (22) with solid wood top (SW) with single center cutout (CC)</i>		
<b>91</b>	white <input type="checkbox"/>	+\$0
<b>BK</b>	black <input type="checkbox"/>	+\$0
<b>PA</b>	polished aluminum <input type="checkbox"/>	+\$0

Step 10. Column Finish		
<b>91</b>	white	+\$0
<b>BK</b>	black	+\$0
<b>BU</b>	black umber	+\$0
<b>CL</b>	cool grey neutral	+\$0
<b>CN</b>	metallic champagne	+\$0
<b>EH</b>	metallic bronze	+\$0
<b>G2</b>	graphite satin	+\$0
<b>HF</b>	inner tone light	+\$0
<b>LT</b>	light tone	+\$0
<b>LU</b>	soft white	+\$0
<b>MS</b>	metallic silver	+\$0
<b>MT</b>	medium tone	+\$0
<b>SG</b>	slate grey	+\$0
<b>WN</b>	warm grey neutral	+\$0

Step 11. Base Finish		
<b>91</b>	white	+\$0
<b>BK</b>	black	+\$0
<b>BU</b>	black umber	+\$0
<b>CL</b>	cool grey neutral	+\$0
<b>CN</b>	metallic champagne	+\$0
<b>EH</b>	metallic bronze	+\$0
<b>G2</b>	graphite satin	+\$0
<b>HF</b>	inner tone light	+\$0
<b>LT</b>	light tone	+\$0
<b>LU</b>	soft white	+\$0
<b>MS</b>	metallic silver	+\$0
<b>MT</b>	medium tone	+\$0
<b>PA</b>	polished aluminum	+\$0
<b>SG</b>	slate grey	+\$0
<b>WN</b>	warm grey neutral	+\$0

Step 12. Casters/Glides		
<i>For 30" diameter (07), 36" diameter (08), 42" diameter (22), 48" diameter (23), or 54" diameter (24) with high-pressure laminate top with vinyl edge (L), or veneer top with vinyl edge (C), or veneer top with veneer edge (W), or thin profile HPL top with black edge (M), or solid wood top (SW)</i>		
<b>G</b>	glides	+\$0
<b>C</b>	casters	+\$80

# Eames® Low Conference Table, Round *continued*

---

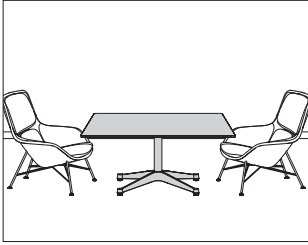
*For 30" diameter (07), 36" diameter (08), 42" diameter (22), 48" diameter (23), 54" diameter (24), 60" diameter (25), 66" diameter (26), 72" diameter (27), 84" diameter (29), or 96" diameter (31) with high-pressure laminate top with vinyl edge (L), or veneer top with vinyl edge (C), or veneer top with veneer edge (W), or back-painted glass top (G)*

---

<b>G</b>	glides	+\$0
----------	--------	------

Eames® Low Conference Table,  
Square

ET204  
ET205  
ET206  
ET248



Eames® Tables

**Product Information**

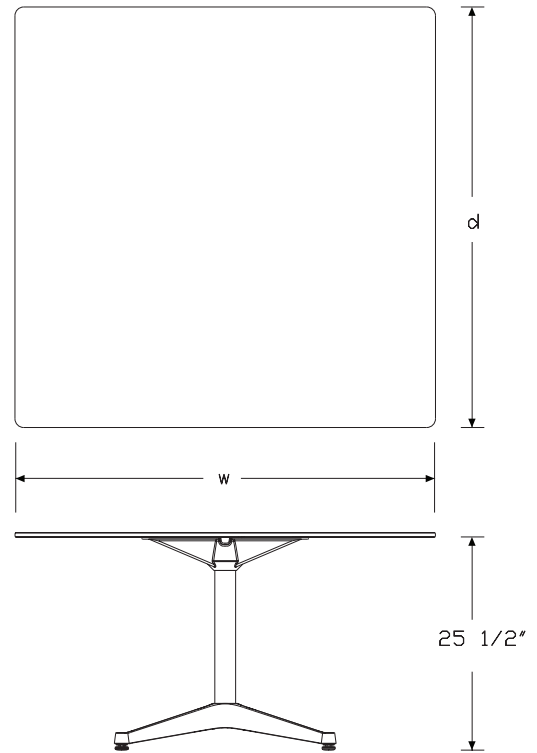
**Description**

This table has a laminate or veneer top with vinyl edge, a veneer top and edge, a thin-profile HPL top with black edge, a back-painted glass top with modified bullnose edge, or a solid wood top. Table may be specified with cutouts to accommodate simple power options (specified separately). Each table has adjustable glides or casters. Shipped knocked down.

**Notes**

Tables have a 1-piece top and single column base.  
 Laminate and veneer tops are 7/8" thick.  
 Thin profile HPL tops are 1/2" thick.  
 Glass tops are back-painted, with a satin etch finish to reduce the appearance of fingerprints. Tops are 1/2" thick.  
 30" and 36" tables may only accommodate USB access. Single center cutout (CC) grommet option must be specified. Grommet option is a non-functional hole plug. For USB access, order round dual USB charging unit (ET990.) separately.  
 42" and 48" tables may accommodate power. Single center cutout (CC) grommet option must be specified. Grommet provides simple pass-through with wire management features and a hinged lid. For power access, order round power module (ET991.) separately.  
 Santos palisander veneer is celebrated for its unique grain and color variations. Similar products ordered in multiples or dissimilar products ordered separately should be expected to have variation in both grain and color characteristics; no two products will look exactly alike.

**Dimensions**



Contract Base



Universal Base

# Eames® Low Conference Table, Square *continued*

## Specification Information

### Step 1.

**ET**

### Step 2. Height

**2** 25½" high

### Step 3. Depth/Width

**04** 30" deep x 30" wide  
**05** 36" deep x 36" wide  
**06** 42" deep x 42" wide  
**48** 48" deep x 48" wide

### Step 4. Base

*For 30" deep x 30" wide (04) or 36" deep x 36" wide (05)*

**C** contract base  
**U** universal base

*For 42" deep x 42" wide (06) or 48" deep x 48" wide (48)*

**C** contract base

### Step 5. Surface Material

*For 30" deep x 30" wide (04), 36" deep x 36" wide (05), or 42" deep x 42" wide (06)*

**L** high-pressure laminate top with vinyl edge  
**C** veneer top with vinyl edge  
**W** veneer top with veneer edge  
**M** thin profile HPL top with black edge  
**G** back-painted glass top  
**SW** solid wood top

*For 48" deep x 48" wide (48)*

**L** high-pressure laminate top with vinyl edge  
**C** veneer top with vinyl edge  
**W** veneer top with veneer edge  
**M** thin profile HPL top with black edge  
**G** back-painted glass top

### Step 6. Grommets

**NG** no grommet  
**CC** single center cutout

## Prices for Steps 1-6.

			NG	CC
<b>ET204</b>	<b>C</b>	<b>L</b>	\$1246	1311
		<b>C</b>	\$1463	1527
		<b>W</b>	\$1650	1714
		<b>M</b>	\$2273	2386
		<b>G</b>	\$4970	5578
		<b>SW</b>	\$4371	5029
	<b>U</b>	<b>L</b>	\$1246	1311
		<b>C</b>	\$1463	1527
		<b>W</b>	\$1650	1714
		<b>M</b>	\$2273	2386
		<b>G</b>	\$4970	5578
		<b>SW</b>	\$4371	5029

			NG	CC
<b>ET205</b>	<b>C</b>	<b>L</b>	\$1447	1515
		<b>C</b>	\$1678	1745
		<b>W</b>	\$1938	2003
		<b>M</b>	\$2965	3081
		<b>G</b>	\$6444	7037
		<b>SW</b>	\$6024	6682
	<b>U</b>	<b>L</b>	\$1447	1515
		<b>C</b>	\$1678	1745
		<b>W</b>	\$1938	2003
		<b>M</b>	\$2965	3081
		<b>G</b>	\$6444	7037
		<b>SW</b>	\$6024	6682

			NG	CC
<b>ET206</b>	<b>C</b>	<b>L</b>	\$1838	2170
		<b>C</b>	\$2113	2444
		<b>W</b>	\$2372	2704
		<b>M</b>	\$4683	5016
		<b>G</b>	\$8350	9129
		<b>SW</b>	\$7126	7784

			NG	CC
<b>ET248</b>	<b>C</b>	<b>L</b>	\$2024	2359
		<b>C</b>	\$2315	2648
		<b>W</b>	\$2561	2892
		<b>M</b>	\$4797	5132
		<b>G</b>	\$10330	11121

Eames® Low Conference Table,  
Square *continued*

Eames® Tables

Step 7.

Top Finish: Finish

*For back-painted glass top (G)*

<b>8Q</b>	folkstone grey	+\$0
<b>91</b>	white	+\$0
<b>BK</b>	black	+\$0
<b>WN</b>	warm grey neutral	+\$0

Top Finish

*For high-pressure laminate top with vinyl edge (L)*

<b>8Q</b>	folkstone grey	+\$0
<b>91</b>	white	+\$0
<b>98</b>	studio white	+\$0
<b>BKM</b>	black matte	+\$0
<b>CL</b>	cool grey neutral	+\$0
<b>HF</b>	inner tone light	+\$0
<b>LT</b>	light tone	+\$0
<b>LU</b>	soft white	+\$0
<b>WL</b>	sandstone	+\$0
<b>WN</b>	warm grey neutral	+\$0

Top Finish: Finish

*For thin profile HPL top with black edge (M)*

<b>91</b>	white	+\$0
<b>G1</b>	graphite	+\$0
<b>BK</b>	black	+\$0

Top Finish

*For 30" deep x 30" wide (04) with solid wood top (SW)*

<b>OU</b>	walnut <span style="border: 1px solid black; padding: 0 2px;">A</span>	+\$335
<b>WHN</b>	natural white oak <span style="border: 1px solid black; padding: 0 2px;">A</span>	+\$0

Top Finish

*For 36" deep x 36" wide (05) with solid wood top (SW)*

<b>OU</b>	walnut <span style="border: 1px solid black; padding: 0 2px;">A</span>	+\$480
<b>WHN</b>	natural white oak <span style="border: 1px solid black; padding: 0 2px;">A</span>	+\$0

Top Finish

*For 42" deep x 42" wide (06) with solid wood top (SW)*

<b>OU</b>	walnut <span style="border: 1px solid black; padding: 0 2px;">A</span>	+\$580
<b>WHN</b>	natural white oak <span style="border: 1px solid black; padding: 0 2px;">A</span>	+\$0

Top Finish: Wood Veneer

*For 30" deep x 30" wide (04) or 36" deep x 36" wide (05) with veneer top with vinyl edge (C)*

<b>2U</b>	light brown walnut	+\$105
<b>40</b>	dark brown walnut	+\$105
<b>9N</b>	santos palisander	+\$380
<b>A2</b>	white ash	+\$105
<b>CHD</b>	noble cherry	+\$105
<b>EN</b>	ebony	+\$105
<b>OU</b>	walnut	+\$105
<b>UL</b>	natural maple	+\$105
<b>WHN</b>	natural white oak	+\$0

Top Finish: Wood Veneer

*For 42" deep x 42" wide (06) with veneer top with vinyl edge (C)*

<b>2U</b>	light brown walnut	+\$130
<b>40</b>	dark brown walnut	+\$130
<b>9N</b>	santos palisander	+\$720
<b>A2</b>	white ash	+\$130
<b>CHD</b>	noble cherry	+\$130
<b>EN</b>	ebony	+\$130
<b>OU</b>	walnut	+\$130
<b>UL</b>	natural maple	+\$130
<b>WHN</b>	natural white oak	+\$0

Top Finish: Wood Veneer

*For 48" deep x 48" wide (48) with veneer top with vinyl edge (C)*

<b>2U</b>	light brown walnut	+\$175
<b>40</b>	dark brown walnut	+\$175
<b>9N</b>	santos palisander	+\$839
<b>A2</b>	white ash	+\$175
<b>CHD</b>	noble cherry	+\$175
<b>EN</b>	ebony	+\$175
<b>OU</b>	walnut	+\$175
<b>UL</b>	natural maple	+\$175
<b>WHN</b>	natural white oak	+\$0

Eames® Low Conference Table,  
Square *continued*

Top/Edge Finish		
<i>For 30" deep x 30" wide (04) or 36" deep x 36" wide (05) with veneer top with veneer edge (W)</i>		
<b>2U</b>	light brown walnut	+\$105
<b>40</b>	dark brown walnut	+\$105
<b>9N</b>	santos palisander	+\$380
<b>A2</b>	white ash	+\$105
<b>CHD</b>	noble cherry	+\$105
<b>EN</b>	ebony	+\$105
<b>OU</b>	walnut	+\$105
<b>UL</b>	natural maple	+\$105
<b>WHN</b>	natural white oak	+\$0

Top/Edge Finish		
<i>For 42" deep x 42" wide (06) with veneer top with veneer edge (W)</i>		
<b>2U</b>	light brown walnut	+\$130
<b>40</b>	dark brown walnut	+\$130
<b>9N</b>	santos palisander	+\$720
<b>A2</b>	white ash	+\$130
<b>CHD</b>	noble cherry	+\$130
<b>EN</b>	ebony	+\$130
<b>OU</b>	walnut	+\$130
<b>UL</b>	natural maple	+\$130
<b>WHN</b>	natural white oak	+\$0

Top/Edge Finish		
<i>For 48" deep x 48" wide (48) with veneer top with veneer edge (W)</i>		
<b>2U</b>	light brown walnut	+\$175
<b>40</b>	dark brown walnut	+\$175
<b>9N</b>	santos palisander	+\$839
<b>A2</b>	white ash	+\$175
<b>CHD</b>	noble cherry	+\$175
<b>EN</b>	ebony	+\$175
<b>OU</b>	walnut	+\$175
<b>UL</b>	natural maple	+\$175
<b>WHN</b>	natural white oak	+\$0

Step 8. Edge Finish		
<i>For high-pressure laminate top with vinyl edge (L) or veneer top with vinyl edge (C)</i>		
<b>8Q</b>	folkstone grey	+\$0
<b>91</b>	white	+\$0
<b>98</b>	studio white	+\$0
<b>BK</b>	black	+\$0
<b>BU</b>	black umber	+\$0
<b>CL</b>	cool grey neutral	+\$0
<b>HF</b>	inner tone light	+\$0
<b>LT</b>	light tone	+\$0
<b>LU</b>	soft white	+\$0
<b>SG</b>	slate grey	+\$0
<b>WL</b>	sandstone	+\$0
<b>WN</b>	warm grey neutral	+\$0

Step 9. Grommet Finish		
Finish		
<i>For 30" deep x 30" wide (04) or 36" deep x 36" wide (05) with high-pressure laminate top with vinyl edge (L), veneer top with vinyl edge (C), or veneer top with veneer edge (W), or thin profile HPL top with black edge (M), or back-painted glass top (G) with single center cutout (CC)</i>		
<b>PA</b>	polished aluminum	+\$0

<i>For 30" deep x 30" wide (04) or 36" deep x 36" wide (05) with solid wood top (SW) with single center cutout (CC)</i>		
<b>NF</b>	no finish <span style="border: 1px solid black; padding: 0 2px;">A</span>	+\$0

<i>For 42" deep x 42" wide (06) or 48" deep x 48" wide (48) with high-pressure laminate top with vinyl edge (L), veneer top with vinyl edge (C), or veneer top with veneer edge (W), or thin profile HPL top with black edge (M), or back-painted glass top (G) with single center cutout (CC)</i>		
<b>91</b>	white	+\$0
<b>BK</b>	black	+\$0
<b>PA</b>	polished aluminum	+\$0

<i>For 42" deep x 42" wide (06) with solid wood top (SW) with single center cutout (CC)</i>		
<b>91</b>	white <span style="border: 1px solid black; padding: 0 2px;">A</span>	+\$0
<b>BK</b>	black <span style="border: 1px solid black; padding: 0 2px;">A</span>	+\$0
<b>PA</b>	polished aluminum <span style="border: 1px solid black; padding: 0 2px;">A</span>	+\$0

# Eames® Low Conference Table, Square *continued*

Eames® Tables

Step 10. Column Finish		
<b>91</b>	white	+\$0
<b>BK</b>	black	+\$0
<b>BU</b>	black umber	+\$0
<b>CL</b>	cool grey neutral	+\$0
<b>CN</b>	metallic champagne	+\$0
<b>EH</b>	metallic bronze	+\$0
<b>G2</b>	graphite satin	+\$0
<b>HF</b>	inner tone light	+\$0
<b>LT</b>	light tone	+\$0
<b>LU</b>	soft white	+\$0
<b>MS</b>	metallic silver	+\$0
<b>MT</b>	medium tone	+\$0
<b>SG</b>	slate grey	+\$0
<b>WN</b>	warm grey neutral	+\$0

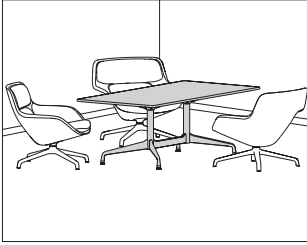
Step 11. Base Finish		
<b>91</b>	white	+\$0
<b>BK</b>	black	+\$0
<b>BU</b>	black umber	+\$0
<b>CL</b>	cool grey neutral	+\$0
<b>CN</b>	metallic champagne	+\$0
<b>EH</b>	metallic bronze	+\$0
<b>G2</b>	graphite satin	+\$0
<b>HF</b>	inner tone light	+\$0
<b>LT</b>	light tone	+\$0
<b>LU</b>	soft white	+\$0
<b>MS</b>	metallic silver	+\$0
<b>MT</b>	medium tone	+\$0
<b>PA</b>	polished aluminum	+\$0
<b>SG</b>	slate grey	+\$0
<b>WN</b>	warm grey neutral	+\$0

Step 12. Casters/Glides		
<i>For high-pressure laminate top with vinyl edge (L), veneer top with vinyl edge (C), veneer top with veneer edge (W), thin profile HPL top with black edge (M), or solid wood top (SW)</i>		
<b>G</b>	glides	+\$0
<b>C</b>	casters	+\$80
<i>For back-painted glass top (G)</i>		
<b>G</b>	glides	+\$0



## Eames® Low Conference Table, Rectangular

ET242  
ET243  
ET244  
ET245  
ET247  
ET250  
ET251  
ET252  
ET254  
ET255  
ET256  
ET257  
ET287  
ET288  
ET289



### Product Information

#### Description

This table has a laminate or veneer top with vinyl edge, a veneer top and edge, a thin-profile HPL top with black edge, a back-painted glass top with modified bullnose edge, or a solid wood top. Table may be specified with cutouts to accommodate simple power options (specified separately). Each table has adjustable glides or casters. Shipped knocked down.

#### Notes

60"-wide to 96"-wide tables have a 1-piece top and 2-column segmented base. 108"-wide tables have 1-piece (laminate) or 2-piece (veneer) tops and a 2-column segmented base.

For 108" wide veneer tables, tops are shipped in 2 equal pieces.

Laminate and veneer tops are 1 1/4" thick.

Thin profile HPL tops are 1/2" thick.

Glass tops are back-painted, with a satin etch finish to reduce the appearance of fingerprints. Tops up to 42"×78" are 1/2" thick; tops 42"×84" to 54"×108" are 3/8" thick with a Formcoat® substructure.

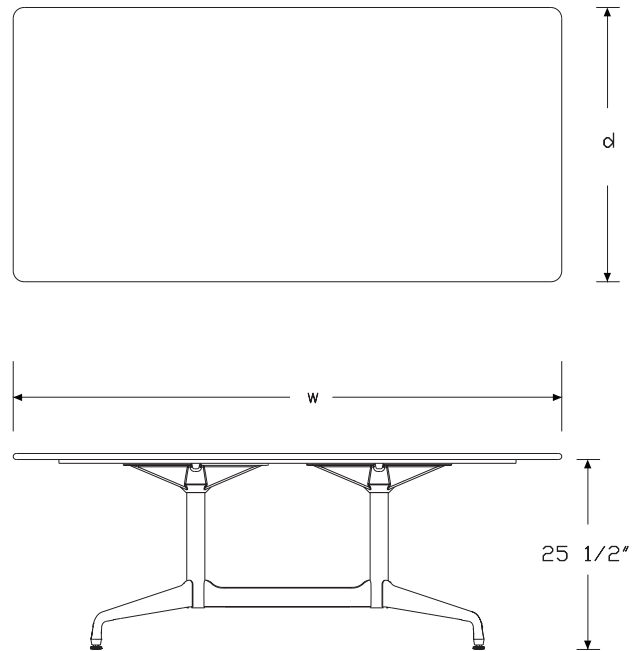
Tables may be specified with cutouts for power in various configurations. Round cutouts align with columns, and oval cutouts are centered between columns.

Order the following compatible power components separately:

- Round power module (ET991.)
- Oval power module (ET992.)

Santos palisander veneer is celebrated for its unique grain and color variations. Similar products ordered in multiples or dissimilar products ordered separately should be expected to have variation in both grain and color characteristics; no two products will look exactly alike.

### Dimensions



Segmented Base

# Eames® Low Conference Table, Rectangular *continued*

## Specification Information

### Step 1.

**ET**

### Step 2. Height

**2** 25½" high

### Step 3. Depth/Width

- 87R** 30" deep x 60" wide
- 88R** 30" deep x 72" wide
- 42R** 36" deep x 60" wide
- 43R** 36" deep x 72" wide
- 44R** 36" deep x 84" wide
- 89R** 36" deep x 96" wide
- 50R** 42" deep x 66" wide
- 51R** 42" deep x 72" wide
- 52R** 42" deep x 78" wide
- 45R** 42" deep x 84" wide
- 54R** 48" deep x 84" wide
- 47R** 48" deep x 96" wide
- 55R** 54" deep x 90" wide
- 56R** 54" deep x 96" wide
- 57R** 54" deep x 108" wide

### Step 4. Base

**S** segmented base

### Step 5. Surface Material

*For 30" deep x 60" wide (87R), 30" deep x 72" wide (88R), 36" deep x 60" wide (42R), or 36" deep x 72" wide (43R)*

- L** high-pressure laminate top with vinyl edge
- C** veneer top with vinyl edge
- W** veneer top with veneer edge
- M** thin profile HPL top with black edge
- G** back-painted glass top
- SW** solid wood top

*For 36" deep x 84" wide (44R), 36" deep x 96" wide (89R), 42" deep x 66" wide (50R), 42" deep x 72" wide (51R), 42" deep x 78" wide (52R), 42" deep x 84" wide (45R), 48" deep x 84" wide (54R), or 48" deep x 96" wide (47R)*

- L** high-pressure laminate top with vinyl edge A
- C** veneer top with vinyl edge A
- W** veneer top with veneer edge A
- M** thin profile HPL top with black edge A
- G** back-painted glass top A

*For 54" deep x 90" wide (55R), 54" deep x 96" wide (56R), or 54" deep x 108" wide (57R)*

- L** high-pressure laminate top with vinyl edge
- C** veneer top with vinyl edge
- W** veneer top with veneer edge
- G** back-painted glass top

### Step 6. Grommets

- NG** no grommet
- C2** 2 round cutouts, over columns
- CR** single centered oval cutout
- CA** 2 round cutouts and center oval cutout

### Prices for Steps 1-6.

		NG	C2	CR	CA
<b>ET287R S</b>	<b>L</b>	\$2405	3068	2736	3399
	<b>C</b>	\$2949	3614	3282	3945
	<b>W</b>	\$3181	3843	3513	4179
	<b>M</b>	\$4596	5260	4927	5593
	<b>G</b>	\$9609	10736	10792	11931
	<b>SW</b>	\$6722	8041	7448	8109

		NG	C2	CR	CA
<b>ET288R S</b>	<b>L</b>	\$2578	3243	2909	3573
	<b>C</b>	\$3209	3873	3542	4206
	<b>W</b>	\$3556	4221	3889	4553
	<b>M</b>	\$4626	5289	4956	5623
	<b>G</b>	\$10836	11976	12018	13160
	<b>SW</b>	\$7249	8566	7975	8636

		NG	C2	CR	CA
<b>ET242R S</b>	<b>L</b>	\$2715	3382	3050	3715
	<b>C</b>	\$3282	3945	3614	4279
	<b>W</b>	\$3564	4228	3895	4558
	<b>M</b>	\$5578	6241	5912	6575
	<b>G</b>	\$10836	11976	12018	13160
	<b>SW</b>	\$8271	9589	8995	9658

		NG	C2	CR	CA
<b>ET243R S</b>	<b>L</b>	\$2785	3450	3117	3783
	<b>C</b>	\$3383	4046	3716	4380
	<b>W</b>	\$3716	4380	4046	4713
	<b>M</b>	\$5607	6270	5941	6604
	<b>G</b>	\$12307	13434	13490	14635
	<b>SW</b>	\$8831	9589	9556	10217

Eames® Low Conference Table,  
Rectangular *continued*

		NG	C2	CR	CA
ET244R S	L	\$2912	3576	3246	3909
	C	\$3643	4308	3975	4639
	W	\$4063	4727	4393	5057
	M	\$5651	6315	5982	6646
	G	\$13766	14908	14963	16091

		NG	C2	CR	CA
ET289R S	L	\$3118	3784	3451	4115
	C	\$3873	4538	4206	4870
	W	\$4179	4841	4509	5173
	M	\$5679	6344	6011	6676
	G	\$15337	16483	16540	17666

		NG	C2	CR	CA
ET250R S	L	\$3252	3916	3584	4247
	C	\$3774	4438	4104	4767
	W	\$4248	4915	4582	5245
	M	\$5623	6286	5953	6617
	G	\$12885	14028	14085	15212

		NG	C2	CR	CA
ET251R S	L	\$3349	4013	3684	4345
	C	\$3825	4492	4157	4821
	W	\$4289	4953	4621	5284
	M	\$5635	6299	5968	6633
	G	\$13766	14908	14963	16091

		NG	C2	CR	CA
ET252R S	L	\$3420	4087	3753	4416
	C	\$4003	4666	4335	5000
	W	\$4436	5101	4766	5431
	M	\$9073	9737	9405	10069
	G	\$14664	15788	15847	16986

		NG	C2	CR	CA
ET245R S	L	\$3462	4126	3793	4459
	C	\$4043	4711	4377	5041
	W	\$4487	5152	4819	5482
	M	\$9073	9737	9405	10069
	G	\$16032	17939	17737	19657

		NG	C2	CR	CA
ET254R S	L	\$3895	4558	4228	4892
	C	\$4495	5158	4824	5489
	W	\$4926	5592	5259	5922
	M	\$9104	9766	9433	10099
	G	\$18040	19962	19758	21664

		NG	C2	CR	CA
ET247R S	L	\$3978	4644	4313	4975
	C	\$4586	5250	4919	5582
	W	\$5093	5757	5423	6087
	M	\$9145	9810	9476	10142
	G	\$20351	22300	22069	23976

		NG	C2	CR	CA
ET255R S	L	\$4719	5382	5051	5716
	C	\$5359	6024	5690	6356
	W	\$5937	6601	6268	6932
	M	\$9145	9810	9476	10142
	G	\$21346	23269	23168	24987

		NG	C2	CR	CA
ET256R S	L	\$4780	5443	5109	5774
	C	\$5533	6196	5863	6529
	W	\$6182	6847	6513	7179
	M	\$9145	9810	9476	10142
	G	\$22647	24568	24366	26286

		NG	C2	CR	CA
ET257R S	L	\$6218	6881	6547	7212
	C	\$6926	7590	7261	7924
	W	\$7684	8349	8019	8682
	M	\$9145	9810	9476	10142
	G	\$25246	27168	26967	28885

Step 7.

---

Top Finish: Finish  
For back-painted glass top (G)

<b>8Q</b>	folkstone grey	+\$0
<b>91</b>	white	+\$0
<b>BK</b>	black	+\$0
<b>WN</b>	warm grey neutral	+\$0

---

Top Finish: Finish  
For thin profile HPL top with black edge (M)

<b>91</b>	white	+\$0
<b>G1</b>	graphite	+\$0
<b>BK</b>	black	+\$0

Eames® Low Conference Table,  
Rectangular *continued*

Eames® Tables

Top Finish: Solid-Color Laminate		
<i>For high-pressure laminate top with vinyl edge (L)</i>		
<b>8Q</b>	folkstone grey	+\$0
<b>91</b>	white	+\$0
<b>98</b>	studio white	+\$0
<b>BKM</b>	black matte	+\$0
<b>CL</b>	cool grey neutral	+\$0
<b>HF</b>	inner tone light	+\$0
<b>LT</b>	light tone	+\$0
<b>LU</b>	soft white	+\$0
<b>WL</b>	sandstone	+\$0
<b>WN</b>	warm grey neutral	+\$0

Top Finish: Wood Veneer		
<i>For 30" deep x 60" wide (87R) with veneer top with vinyl edge (C)</i>		
<b>2U</b>	light brown walnut	+\$250
<b>40</b>	dark brown walnut	+\$250
<b>9N</b>	santos palisander	+\$950
<b>A2</b>	white ash	+\$250
<b>CHD</b>	noble cherry	+\$250
<b>EN</b>	ebony	+\$250
<b>OU</b>	walnut	+\$250
<b>UL</b>	natural maple	+\$250
<b>WHN</b>	natural white oak	+\$0

Top Finish		
<i>For 30" deep x 60" wide (87R) with solid wood top (SW)</i>		
<b>OU</b>	walnut <span style="border: 1px solid black; padding: 0 2px;">A</span>	+\$585
<b>WHN</b>	natural white oak <span style="border: 1px solid black; padding: 0 2px;">A</span>	+\$0

Top Finish		
<i>For 30" deep x 72" wide (88R) with solid wood top (SW)</i>		
<b>OU</b>	walnut <span style="border: 1px solid black; padding: 0 2px;">A</span>	+\$675
<b>WHN</b>	natural white oak <span style="border: 1px solid black; padding: 0 2px;">A</span>	+\$0

Top Finish		
<i>For 36" deep x 60" wide (42R) with solid wood top (SW)</i>		
<b>OU</b>	walnut <span style="border: 1px solid black; padding: 0 2px;">A</span>	+\$700
<b>WHN</b>	natural white oak <span style="border: 1px solid black; padding: 0 2px;">A</span>	+\$0

Top Finish		
<i>For 36" deep x 72" wide (43R) with solid wood top (SW)</i>		
<b>OU</b>	walnut <span style="border: 1px solid black; padding: 0 2px;">A</span>	+\$815
<b>WHN</b>	natural white oak <span style="border: 1px solid black; padding: 0 2px;">A</span>	+\$0

Top Finish: Wood Veneer		
<i>For 30" deep x 72" wide (88R) with veneer top with vinyl edge (C)</i>		
<b>2U</b>	light brown walnut	+\$265
<b>40</b>	dark brown walnut	+\$265
<b>9N</b>	santos palisander	+\$1009
<b>A2</b>	white ash	+\$265
<b>CHD</b>	noble cherry	+\$265
<b>EN</b>	ebony	+\$265
<b>OU</b>	walnut	+\$265
<b>UL</b>	natural maple	+\$265
<b>WHN</b>	natural white oak	+\$0

Top Finish: Wood Veneer		
<i>For 36" deep x 60" wide (42R) with veneer top with vinyl edge (C)</i>		
<b>2U</b>	light brown walnut	+\$265
<b>40</b>	dark brown walnut	+\$265
<b>9N</b>	santos palisander	+\$1009
<b>A2</b>	white ash	+\$265
<b>CHD</b>	noble cherry	+\$265
<b>EN</b>	ebony	+\$265
<b>OU</b>	walnut	+\$265
<b>UL</b>	natural maple	+\$265
<b>WHN</b>	natural white oak	+\$0

Top Finish: Wood Veneer		
<i>For 36" deep x 72" wide (43R) with veneer top with vinyl edge (C)</i>		
<b>2U</b>	light brown walnut	+\$290
<b>40</b>	dark brown walnut	+\$290
<b>9N</b>	santos palisander	+\$1104
<b>A2</b>	white ash	+\$290
<b>CHD</b>	noble cherry	+\$290
<b>EN</b>	ebony	+\$290
<b>OU</b>	walnut	+\$290
<b>UL</b>	natural maple	+\$290
<b>WHN</b>	natural white oak	+\$0

Top Finish: Wood Veneer		
<i>For 36" deep x 84" wide (44R) with veneer top with vinyl edge (C)</i>		
<b>2U</b>	light brown walnut	+\$305
<b>40</b>	dark brown walnut	+\$305
<b>9N</b>	santos palisander	+\$1161
<b>A2</b>	white ash	+\$305
<b>CHD</b>	noble cherry	+\$305
<b>EN</b>	ebony	+\$305
<b>OU</b>	walnut	+\$305
<b>UL</b>	natural maple	+\$305
<b>WHN</b>	natural white oak	+\$0

Eames® Low Conference Table,  
 Rectangular *continued*

Top Finish: Wood Veneer		
<i>For 36" deep x 96" wide (89R) with veneer top with vinyl edge (C)</i>		
<b>2U</b>	light brown walnut	+\$330
<b>40</b>	dark brown walnut	+\$330
<b>9N</b>	santos palisander	+\$1420
<b>A2</b>	white ash	+\$330
<b>CHD</b>	noble cherry	+\$330
<b>EN</b>	ebony	+\$330
<b>OU</b>	walnut	+\$330
<b>UL</b>	natural maple	+\$330
<b>WHN</b>	natural white oak	+\$0

Top Finish: Wood Veneer		
<i>For 42" deep x 84" wide (45R) with veneer top with vinyl edge (C)</i>		
<b>2U</b>	light brown walnut	+\$330
<b>40</b>	dark brown walnut	+\$330
<b>9N</b>	santos palisander	+\$1320
<b>A2</b>	white ash	+\$330
<b>CHD</b>	noble cherry	+\$330
<b>EN</b>	ebony	+\$330
<b>OU</b>	walnut	+\$330
<b>UL</b>	natural maple	+\$330
<b>WHN</b>	natural white oak	+\$0

Top Finish: Wood Veneer		
<i>For 42" deep x 66" wide (50R) with veneer top with vinyl edge (C)</i>		
<b>2U</b>	light brown walnut	+\$290
<b>40</b>	dark brown walnut	+\$290
<b>9N</b>	santos palisander	+\$1160
<b>A2</b>	white ash	+\$290
<b>CHD</b>	noble cherry	+\$290
<b>EN</b>	ebony	+\$290
<b>OU</b>	walnut	+\$290
<b>UL</b>	natural maple	+\$290
<b>WHN</b>	natural white oak	+\$0

Top Finish: Wood Veneer		
<i>For 48" deep x 84" wide (54R) with veneer top with vinyl edge (C)</i>		
<b>2U</b>	light brown walnut	+\$385
<b>40</b>	dark brown walnut	+\$385
<b>9N</b>	santos palisander	+\$1656
<b>A2</b>	white ash	+\$385
<b>CHD</b>	noble cherry	+\$385
<b>EN</b>	ebony	+\$385
<b>OU</b>	walnut	+\$385
<b>UL</b>	natural maple	+\$385
<b>WHN</b>	natural white oak	+\$0

Top Finish: Wood Veneer		
<i>For 42" deep x 72" wide (51R) with veneer top with vinyl edge (C)</i>		
<b>2U</b>	light brown walnut	+\$305
<b>40</b>	dark brown walnut	+\$305
<b>9N</b>	santos palisander	+\$1220
<b>A2</b>	white ash	+\$305
<b>CHD</b>	noble cherry	+\$305
<b>EN</b>	ebony	+\$305
<b>OU</b>	walnut	+\$305
<b>UL</b>	natural maple	+\$305
<b>WHN</b>	natural white oak	+\$0

Top Finish: Wood Veneer		
<i>For 48" deep x 96" wide (47R) with veneer top with vinyl edge (C)</i>		
<b>2U</b>	light brown walnut	+\$385
<b>40</b>	dark brown walnut	+\$385
<b>9N</b>	santos palisander	+\$1656
<b>A2</b>	white ash	+\$385
<b>CHD</b>	noble cherry	+\$385
<b>EN</b>	ebony	+\$385
<b>OU</b>	walnut	+\$385
<b>UL</b>	natural maple	+\$385
<b>WHN</b>	natural white oak	+\$0

Top Finish: Wood Veneer		
<i>For 42" deep x 78" wide (52R) with veneer top with vinyl edge (C)</i>		
<b>2U</b>	light brown walnut	+\$330
<b>40</b>	dark brown walnut	+\$330
<b>9N</b>	santos palisander	+\$1320
<b>A2</b>	white ash	+\$330
<b>CHD</b>	noble cherry	+\$330
<b>EN</b>	ebony	+\$330
<b>OU</b>	walnut	+\$330
<b>UL</b>	natural maple	+\$330
<b>WHN</b>	natural white oak	+\$0

Top Finish: Wood Veneer		
<i>For 54" deep x 90" wide (55R) with veneer top with vinyl edge (C)</i>		
<b>2U</b>	light brown walnut	+\$425
<b>40</b>	dark brown walnut	+\$425
<b>9N</b>	santos palisander	+\$1700
<b>A2</b>	white ash	+\$425
<b>CHD</b>	noble cherry	+\$425
<b>EN</b>	ebony	+\$425
<b>OU</b>	walnut	+\$425
<b>UL</b>	natural maple	+\$425
<b>WHN</b>	natural white oak	+\$0

# Eames® Low Conference Table, Rectangular *continued*

Eames® Tables

Top Finish: Wood Veneer		
<i>For 54" deep x 96" wide (56R) with veneer top with vinyl edge (C)</i>		
<b>2U</b>	light brown walnut	+\$440
<b>40</b>	dark brown walnut	+\$440
<b>9N</b>	santos palisander	+\$1760
<b>A2</b>	white ash	+\$440
<b>CHD</b>	noble cherry	+\$440
<b>EN</b>	ebony	+\$440
<b>OU</b>	walnut	+\$440
<b>UL</b>	natural maple	+\$440
<b>WHN</b>	natural white oak	+\$0

Top Finish: Wood Veneer		
<i>For 54" deep x 108" wide (57R) with veneer top with vinyl edge (C)</i>		
<b>2U</b>	light brown walnut	+\$500
<b>40</b>	dark brown walnut	+\$500
<b>9N</b>	santos palisander	+\$2350
<b>A2</b>	white ash	+\$500
<b>CHD</b>	noble cherry	+\$500
<b>EN</b>	ebony	+\$500
<b>OU</b>	walnut	+\$500
<b>UL</b>	natural maple	+\$500
<b>WHN</b>	natural white oak	+\$0

Top/Edge Finish		
<i>For 30" deep x 60" wide (87R) with veneer top with veneer edge (W)</i>		
<b>2U</b>	light brown walnut	+\$250
<b>40</b>	dark brown walnut	+\$250
<b>9N</b>	santos palisander	+\$950
<b>A2</b>	white ash	+\$250
<b>CHD</b>	noble cherry	+\$250
<b>EN</b>	ebony	+\$250
<b>OU</b>	walnut	+\$250
<b>UL</b>	natural maple	+\$250
<b>WHN</b>	natural white oak	+\$0

Top/Edge Finish		
<i>For 30" deep x 72" wide (88R) with veneer top with veneer edge (W)</i>		
<b>2U</b>	light brown walnut	+\$265
<b>40</b>	dark brown walnut	+\$265
<b>9N</b>	santos palisander	+\$1009
<b>A2</b>	white ash	+\$265
<b>CHD</b>	noble cherry	+\$265
<b>EN</b>	ebony	+\$265
<b>OU</b>	walnut	+\$265
<b>UL</b>	natural maple	+\$265
<b>WHN</b>	natural white oak	+\$0

Top/Edge Finish		
<i>For 36" deep x 60" wide (42R) with veneer top with veneer edge (W)</i>		
<b>2U</b>	light brown walnut	+\$265
<b>40</b>	dark brown walnut	+\$265
<b>9N</b>	santos palisander	+\$1009
<b>A2</b>	white ash	+\$265
<b>CHD</b>	noble cherry	+\$265
<b>EN</b>	ebony	+\$265
<b>OU</b>	walnut	+\$265
<b>UL</b>	natural maple	+\$265
<b>WHN</b>	natural white oak	+\$0

Top/Edge Finish		
<i>For 36" deep x 72" wide (43R) with veneer top with veneer edge (W)</i>		
<b>2U</b>	light brown walnut	+\$290
<b>40</b>	dark brown walnut	+\$290
<b>9N</b>	santos palisander	+\$1104
<b>A2</b>	white ash	+\$290
<b>CHD</b>	noble cherry	+\$290
<b>EN</b>	ebony	+\$290
<b>OU</b>	walnut	+\$290
<b>UL</b>	natural maple	+\$290
<b>WHN</b>	natural white oak	+\$0

Top/Edge Finish		
<i>For 36" deep x 84" wide (44R) with veneer top with veneer edge (W)</i>		
<b>2U</b>	light brown walnut	+\$305
<b>40</b>	dark brown walnut	+\$305
<b>9N</b>	santos palisander	+\$1161
<b>A2</b>	white ash	+\$305
<b>CHD</b>	noble cherry	+\$305
<b>EN</b>	ebony	+\$305
<b>OU</b>	walnut	+\$305
<b>UL</b>	natural maple	+\$305
<b>WHN</b>	natural white oak	+\$0

Top/Edge Finish		
<i>For 36" deep x 96" wide (89R) with veneer top with veneer edge (W)</i>		
<b>2U</b>	light brown walnut	+\$330
<b>40</b>	dark brown walnut	+\$330
<b>9N</b>	santos palisander	+\$1420
<b>A2</b>	white ash	+\$330
<b>CHD</b>	noble cherry	+\$330
<b>EN</b>	ebony	+\$330
<b>OU</b>	walnut	+\$330
<b>UL</b>	natural maple	+\$330
<b>WHN</b>	natural white oak	+\$0

Eames® Low Conference Table,  
Rectangular *continued*

Top/Edge Finish		
<i>For 42" deep x 66" wide (50R) with veneer top with veneer edge (W)</i>		
<b>2U</b>	light brown walnut	+\$290
<b>40</b>	dark brown walnut	+\$290
<b>9N</b>	santos palisander	+\$1160
<b>A2</b>	white ash	+\$290
<b>CHD</b>	noble cherry	+\$290
<b>EN</b>	ebony	+\$290
<b>OU</b>	walnut	+\$290
<b>UL</b>	natural maple	+\$290
<b>WHN</b>	natural white oak	+\$0

Top/Edge Finish		
<i>For 42" deep x 72" wide (51R) with veneer top with veneer edge (W)</i>		
<b>2U</b>	light brown walnut	+\$305
<b>40</b>	dark brown walnut	+\$305
<b>9N</b>	santos palisander	+\$1220
<b>A2</b>	white ash	+\$305
<b>CHD</b>	noble cherry	+\$305
<b>EN</b>	ebony	+\$305
<b>OU</b>	walnut	+\$305
<b>UL</b>	natural maple	+\$305
<b>WHN</b>	natural white oak	+\$0

Top/Edge Finish		
<i>For 42" deep x 78" wide (52R) with veneer top with veneer edge (W)</i>		
<b>2U</b>	light brown walnut	+\$330
<b>40</b>	dark brown walnut	+\$330
<b>9N</b>	santos palisander	+\$1320
<b>A2</b>	white ash	+\$330
<b>CHD</b>	noble cherry	+\$330
<b>EN</b>	ebony	+\$330
<b>OU</b>	walnut	+\$330
<b>UL</b>	natural maple	+\$330
<b>WHN</b>	natural white oak	+\$0

Top/Edge Finish		
<i>For 42" deep x 84" wide (45R) with veneer top with veneer edge (W)</i>		
<b>2U</b>	light brown walnut	+\$330
<b>40</b>	dark brown walnut	+\$330
<b>9N</b>	santos palisander	+\$1320
<b>A2</b>	white ash	+\$330
<b>CHD</b>	noble cherry	+\$330
<b>EN</b>	ebony	+\$330
<b>OU</b>	walnut	+\$330
<b>UL</b>	natural maple	+\$330
<b>WHN</b>	natural white oak	+\$0

Top/Edge Finish		
<i>For 48" deep x 84" wide (54R) with veneer top with veneer edge (W)</i>		
<b>2U</b>	light brown walnut	+\$385
<b>40</b>	dark brown walnut	+\$385
<b>9N</b>	santos palisander	+\$1656
<b>A2</b>	white ash	+\$385
<b>CHD</b>	noble cherry	+\$385
<b>EN</b>	ebony	+\$385
<b>OU</b>	walnut	+\$385
<b>UL</b>	natural maple	+\$385
<b>WHN</b>	natural white oak	+\$0

Top/Edge Finish		
<i>For 48" deep x 96" wide (47R) with veneer top with veneer edge (W)</i>		
<b>2U</b>	light brown walnut	+\$385
<b>40</b>	dark brown walnut	+\$385
<b>9N</b>	santos palisander	+\$1656
<b>A2</b>	white ash	+\$385
<b>CHD</b>	noble cherry	+\$385
<b>EN</b>	ebony	+\$385
<b>OU</b>	walnut	+\$385
<b>UL</b>	natural maple	+\$385
<b>WHN</b>	natural white oak	+\$0

Top/Edge Finish		
<i>For 54" deep x 90" wide (55R) with veneer top with veneer edge (W)</i>		
<b>2U</b>	light brown walnut	+\$425
<b>40</b>	dark brown walnut	+\$425
<b>9N</b>	santos palisander	+\$1700
<b>A2</b>	white ash	+\$425
<b>CHD</b>	noble cherry	+\$425
<b>EN</b>	ebony	+\$425
<b>OU</b>	walnut	+\$425
<b>UL</b>	natural maple	+\$425
<b>WHN</b>	natural white oak	+\$0

Top/Edge Finish		
<i>For 54" deep x 96" wide (56R) with veneer top with veneer edge (W)</i>		
<b>2U</b>	light brown walnut	+\$440
<b>40</b>	dark brown walnut	+\$440
<b>9N</b>	santos palisander	+\$1760
<b>A2</b>	white ash	+\$440
<b>CHD</b>	noble cherry	+\$440
<b>EN</b>	ebony	+\$440
<b>OU</b>	walnut	+\$440
<b>UL</b>	natural maple	+\$440
<b>WHN</b>	natural white oak	+\$0

# Eames® Low Conference Table, Rectangular *continued*

Eames® Tables

## Top/Edge Finish

*For 54" deep x 108" wide (57R) with veneer top with veneer edge (W)*

<b>2U</b>	light brown walnut	+\$500
<b>40</b>	dark brown walnut	+\$500
<b>9N</b>	santos palisander	+\$2350
<b>A2</b>	white ash	+\$500
<b>CHD</b>	noble cherry	+\$500
<b>EN</b>	ebony	+\$500
<b>OU</b>	walnut	+\$500
<b>UL</b>	natural maple	+\$500
<b>WHN</b>	natural white oak	+\$0

## Step 8. Edge Finish

*For high-pressure laminate top with vinyl edge (L) or veneer top with vinyl edge (C)*

<b>8Q</b>	folkstone grey	+\$0
<b>91</b>	white	+\$0
<b>98</b>	studio white	+\$0
<b>BK</b>	black	+\$0
<b>BU</b>	black umber	+\$0
<b>CL</b>	cool grey neutral	+\$0
<b>HF</b>	inner tone light	+\$0
<b>LT</b>	light tone	+\$0
<b>LU</b>	soft white	+\$0
<b>SG</b>	slate grey	+\$0
<b>WL</b>	sandstone	+\$0
<b>WN</b>	warm grey neutral	+\$0

## Step 9. Grommet Finish

*For 2 round cutouts, over columns (C2)*

<b>91</b>	white	+\$0
<b>BK</b>	black	+\$0
<b>PA</b>	polished aluminum	+\$0

*For single centered oval cutout (CR) or 2 round cutouts and center oval cutout (CA)*

<b>91</b>	white	+\$0
<b>BK</b>	black	+\$0
<b>PA</b>	polished aluminum	+\$150

## Step 10. Column Finish

<b>91</b>	white	+\$0
<b>BK</b>	black	+\$0
<b>BU</b>	black umber	+\$0
<b>CL</b>	cool grey neutral	+\$0
<b>CN</b>	metallic champagne	+\$0
<b>EH</b>	metallic bronze	+\$0
<b>G2</b>	graphite satin	+\$0
<b>HF</b>	inner tone light	+\$0
<b>LT</b>	light tone	+\$0
<b>LU</b>	soft white	+\$0
<b>MS</b>	metallic silver	+\$0
<b>MT</b>	medium tone	+\$0
<b>SG</b>	slate grey	+\$0
<b>WN</b>	warm grey neutral	+\$0

## Step 11. Base Finish

<b>91</b>	white	+\$0
<b>BK</b>	black	+\$0
<b>BU</b>	black umber	+\$0
<b>CL</b>	cool grey neutral	+\$0
<b>CN</b>	metallic champagne	+\$0
<b>EH</b>	metallic bronze	+\$0
<b>G2</b>	graphite satin	+\$0
<b>HF</b>	inner tone light	+\$0
<b>LT</b>	light tone	+\$0
<b>LU</b>	soft white	+\$0
<b>MS</b>	metallic silver	+\$0
<b>MT</b>	medium tone	+\$0
<b>PA</b>	polished aluminum	+\$0
<b>SG</b>	slate grey	+\$0
<b>WN</b>	warm grey neutral	+\$0

## Step 12. Casters/Glides

*For 30" deep x 60" wide (87R), 30" deep x 72" wide (88R), 36" deep x 60" wide (42R), 36" deep x 72" wide (43R), 36" deep x 84" wide (44R), 36" deep x 96" wide (89R), 42" deep x 66" wide (50R), 42" deep x 72" wide (51R), 42" deep x 78" wide (52R), 42" deep x 84" wide (45R), 48" deep x 84" wide (54R), or 48" deep x 96" wide (47R) with high-pressure laminate top with vinyl edge (L), or veneer top with vinyl edge (C), or veneer top with veneer edge (W), or thin profile HPL top with black edge (M), or solid wood top (SW)*

<b>G</b>	glides	+\$0
<b>C</b>	casters	+\$80



Eames® Low Conference Table,  
 Rectangular *continued*

*For 30" deep x 60" wide (87R), 30" deep x 72" wide (88R), 36" deep x 60" wide (42R), 36" deep x 72" wide (43R), 36" deep x 84" wide (44R), 36" deep x 96" wide (89R), 42" deep x 66" wide (50R), 42" deep x 72" wide (51R), 42" deep x 78" wide (52R), 42" deep x 84" wide (45R), 48" deep x 84" wide (54R), 48" deep x 96" wide (47R), 54" deep x 90" wide (55R), 54" deep x 96" wide (56R), or 54" deep x 108" wide (57R) with high-pressure laminate top with vinyl edge (L), or veneer top with vinyl edge (C), or veneer top with veneer edge (W), or back-painted glass top (G), or thin profile HPL top with black edge (M)*

**G** glides +\$0

Eames® Low Conference Table,  
Oval

ET243  
ET244  
ET247  
ET249  
ET250  
ET251  
ET252  
ET253  
ET254

ET255  
ET256  
ET257  
ET287  
ET288  
ET289



Eames® Tables

**Product Information**

**Description**

This table has a laminate or veneer top with vinyl edge, a veneer top and edge, a thin-profile HPL top with black edge, a back-painted glass top with modified bullnose edge, or a solid wood top. Table may be specified with cutouts to accommodate simple power options (specified separately). Each table has adjustable glides or casters. Shipped knocked down.

**Notes**

60"-wide to 96"-wide tables have a 1-piece top and 2-column segmented base. 108"-wide tables have 1-piece (laminate) or 2-piece (veneer) tops and a 2-column segmented base.

For 108" wide veneer tables, tops are shipped in 2 equal pieces.

Laminate and veneer tops are 1 1/4" thick.

Thin profile HPL tops are 1/2" thick.

Glass tops are back-painted, with a satin etch finish to reduce the appearance of fingerprints. Tops up to 42"×78" are 1/2" thick; tops 42"×84" to 54"×108" are 3/8" thick with a Formcoat® substructure.

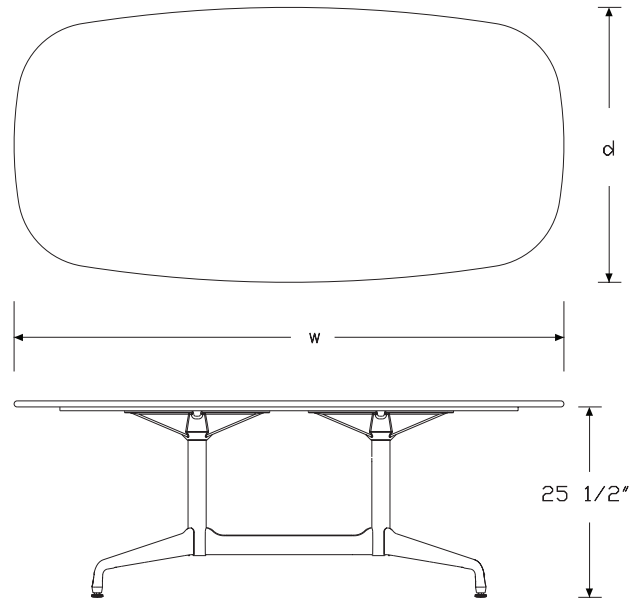
Tables may be specified with cutouts for power in various configurations. Round cutouts align with columns, and oval cutouts are centered between columns.

Order the following compatible power components separately:

- Round power module (ET991.)
- Oval power module (ET992.)

Santos palisander veneer is celebrated for its unique grain and color variations. Similar products ordered in multiples or dissimilar products ordered separately should be expected to have variation in both grain and color characteristics; no two products will look exactly alike.

**Dimensions**



Segmented Base

Eames® Low Conference Table,  
Oval *continued*

**Specification Information**

Step 1.

**ET**

Step 2. Height

**2** 25½" high

Step 3. Depth/Width

- 87V** 30" deep x 60" wide
- 88V** 30" deep x 72" wide
- 49V** 36" deep x 60" wide
- 43V** 36" deep x 72" wide
- 44V** 36" deep x 84" wide
- 89V** 36" deep x 96" wide
- 50V** 42" deep x 66" wide
- 51V** 42" deep x 72" wide
- 52V** 42" deep x 78" wide
- 53V** 42" deep x 84" wide
- 54V** 48" deep x 84" wide
- 47V** 48" deep x 96" wide
- 55V** 54" deep x 90" wide
- 56V** 54" deep x 96" wide
- 57V** 54" deep x 108" wide

Step 4. Base

**S** segmented base

Step 5. Surface Material

*For 30" deep x 60" wide (87V), 30" deep x 72" wide (88V), 36" deep x 60" wide (49V), or 36" deep x 72" wide (43V)*

- L** high-pressure laminate top with vinyl edge
- C** veneer top with vinyl edge
- W** veneer top with veneer edge
- M** thin profile HPL top with black edge
- G** back-painted glass top
- SW** solid wood top A

*For 36" deep x 84" wide (44V), 36" deep x 96" wide (89V), 42" deep x 66" wide (50V), 42" deep x 72" wide (51V), 42" deep x 78" wide (52V), 42" deep x 84" wide (53V), 48" deep x 84" wide (54V), or 48" deep x 96" wide (47V)*

- L** high-pressure laminate top with vinyl edge A
- C** veneer top with vinyl edge A
- W** veneer top with veneer edge A
- M** thin profile HPL top with black edge A
- G** back-painted glass top A

*For 54" deep x 90" wide (55V), 54" deep x 96" wide (56V), or 54" deep x 108" wide (57V)*

- L** high-pressure laminate top with vinyl edge
- C** veneer top with vinyl edge
- W** veneer top with veneer edge
- G** back-painted glass top

Step 6. Grommets

- NG** no grommet
- C2** 2 round cutouts, over columns
- CR** single centered oval cutout
- CA** 2 round cutouts and center oval cutout

Prices for Steps 1-6.

		NG	C2	CR	CA
<b>ET287V S</b>	<b>L</b>	\$2405	3068	2736	3399
	<b>C</b>	\$2949	3614	3282	3945
	<b>W</b>	\$3181	3843	3513	4179
	<b>M</b>	\$4596	5260	4927	5593
	<b>G</b>	\$9609	10736	10792	11931
	<b>SW</b>	\$6722	8041	7448	8109

		NG	C2	CR	CA
<b>ET288V S</b>	<b>L</b>	\$2578	3243	2909	3573
	<b>C</b>	\$3209	3873	3542	4206
	<b>W</b>	\$3556	4221	3889	4553
	<b>M</b>	\$4626	5289	4956	5623
	<b>G</b>	\$10836	11976	12018	13160
	<b>SW</b>	\$7249	8566	7975	8636

		NG	C2	CR	CA
<b>ET249V S</b>	<b>L</b>	\$2715	3382	3050	3715
	<b>C</b>	\$3282	3945	3614	4279
	<b>W</b>	\$3564	4228	3895	4558
	<b>M</b>	\$5578	6241	5912	6575
	<b>G</b>	\$10836	11976	12018	13160
	<b>SW</b>	\$8271	9589	8995	9658

		NG	C2	CR	CA
<b>ET243V S</b>	<b>L</b>	\$2785	3450	3117	3783
	<b>C</b>	\$3383	4046	3716	4380
	<b>W</b>	\$3716	4380	4046	4713
	<b>M</b>	\$5607	6270	5941	6604
	<b>G</b>	\$12307	13434	13490	14635
	<b>SW</b>	\$8831	10148	9556	10217

Eames® Low Conference Table,  
Oval *continued*

Eames® Tables

		NG	C2	CR	CA
ET244V S	L	\$2912	3576	3246	3909
	C	\$3643	4308	3975	4639
	W	\$4063	4727	4393	5057
	M	\$5651	6315	5982	6646
	G	\$13766	14908	14963	16091

		NG	C2	CR	CA
ET289V S	L	\$3118	3784	3451	4115
	C	\$3873	4538	4206	4870
	W	\$4179	4841	4509	5173
	M	\$5679	6344	6011	6676
	G	\$15337	16483	16540	17666

		NG	C2	CR	CA
ET250V S	L	\$3252	3916	3584	4247
	C	\$3774	4438	4104	4767
	W	\$4248	4915	4582	5245
	M	\$5623	6286	5953	6617
	G	\$12885	14028	14085	15212

		NG	C2	CR	CA
ET251V S	L	\$3349	4013	3684	4345
	C	\$3825	4492	4157	4821
	W	\$4289	4953	4621	5284
	M	\$5635	6299	5968	6633
	G	\$13766	14908	14963	16091

		NG	C2	CR	CA
ET252V S	L	\$3420	4087	3753	4416
	C	\$4003	4666	4335	5000
	W	\$4436	5101	4766	5431
	M	\$9073	9737	9405	10069
	G	\$14664	15788	15847	16986

		NG	C2	CR	CA
ET253V S	L	\$3462	4126	3793	4459
	C	\$4043	4711	4377	5041
	W	\$4487	5152	4819	5482
	M	\$9073	9737	9405	10069
	G	\$16032	17939	17737	19657

		NG	C2	CR	CA
ET254V S	L	\$3895	4558	4228	4892
	C	\$4495	5158	4824	5489
	W	\$4926	5592	5259	5922
	M	\$9104	9766	9433	10099
	G	\$18040	19962	19758	21664

		NG	C2	CR	CA
ET247V S	L	\$3978	4644	4313	4975
	C	\$4586	5250	4919	5582
	W	\$5093	5757	5423	6087
	M	\$9145	9810	9476	10142
	G	\$20351	22300	22069	23976

		NG	C2	CR	CA
ET255V S	L	\$4719	5382	5051	5716
	C	\$5359	6024	5690	6356
	W	\$5937	6601	6268	6932
	G	\$21346	23269	23168	24987

		NG	C2	CR	CA
ET256V S	L	\$4780	5443	5109	5774
	C	\$5533	6196	5863	6529
	W	\$6182	6847	6513	7179
	G	\$22647	24568	24366	26286

		NG	C2	CR	CA
ET257V S	L	\$6218	6881	6547	7212
	C	\$6926	7590	7261	7924
	W	\$7684	8349	8019	8682
	G	\$25246	27168	26967	28885

Step 7.

Top Finish: Finish

*For back-painted glass top (G)*

<b>8Q</b>	folkstone grey	+\$0
<b>91</b>	white	+\$0
<b>BK</b>	black	+\$0
<b>WN</b>	warm grey neutral	+\$0

Top Finish: Finish

*For thin profile HPL top with black edge (M)*

<b>91</b>	white	+\$0
<b>G1</b>	graphite	+\$0
<b>BK</b>	black	+\$0

Eames® Low Conference Table,  
Oval *continued*

Top Finish: Solid-Color Laminate		
<i>For high-pressure laminate top with vinyl edge (L)</i>		
<b>8Q</b>	folkstone grey	+\$0
<b>91</b>	white	+\$0
<b>98</b>	studio white	+\$0
<b>BKM</b>	black matte	+\$0
<b>CL</b>	cool grey neutral	+\$0
<b>HF</b>	inner tone light	+\$0
<b>LT</b>	light tone	+\$0
<b>LU</b>	soft white	+\$0
<b>WL</b>	sandstone	+\$0
<b>WN</b>	warm grey neutral	+\$0

Top Finish		
<i>For 30" deep x 60" wide (87V) with solid wood top (SW)</i>		
<b>OU</b>	walnut <span style="border: 1px solid black; padding: 0 2px;">A</span>	+\$575
<b>WHN</b>	natural white oak <span style="border: 1px solid black; padding: 0 2px;">A</span>	+\$0

Top Finish		
<i>For 30" deep x 72" wide (88V) with solid wood top (SW)</i>		
<b>OU</b>	walnut <span style="border: 1px solid black; padding: 0 2px;">A</span>	+\$675
<b>WHN</b>	natural white oak <span style="border: 1px solid black; padding: 0 2px;">A</span>	+\$0

Top Finish		
<i>For 36" deep x 60" wide (49V) with solid wood top (SW)</i>		
<b>OU</b>	walnut <span style="border: 1px solid black; padding: 0 2px;">A</span>	+\$700
<b>WHN</b>	natural white oak <span style="border: 1px solid black; padding: 0 2px;">A</span>	+\$0

Top Finish		
<i>For 36" deep x 72" wide (43V) with solid wood top (SW)</i>		
<b>OU</b>	walnut <span style="border: 1px solid black; padding: 0 2px;">A</span>	+\$815
<b>WHN</b>	natural white oak <span style="border: 1px solid black; padding: 0 2px;">A</span>	+\$0

Top Finish: Wood Veneer		
<i>For 30" deep x 60" wide (87V) with veneer top with vinyl edge (C)</i>		
<b>2U</b>	light brown walnut	+\$250
<b>40</b>	dark brown walnut	+\$250
<b>9N</b>	santos palisander	+\$950
<b>A2</b>	white ash	+\$250
<b>CHD</b>	noble cherry	+\$250
<b>EN</b>	ebony	+\$250
<b>OU</b>	walnut	+\$250
<b>UL</b>	natural maple	+\$250
<b>WHN</b>	natural white oak	+\$0

Top Finish: Wood Veneer		
<i>For 30" deep x 72" wide (88V) with veneer top with vinyl edge (C)</i>		
<b>2U</b>	light brown walnut	+\$265
<b>40</b>	dark brown walnut	+\$265
<b>9N</b>	santos palisander	+\$1009
<b>A2</b>	white ash	+\$265
<b>CHD</b>	noble cherry	+\$265
<b>EN</b>	ebony	+\$265
<b>OU</b>	walnut	+\$265
<b>UL</b>	natural maple	+\$265
<b>WHN</b>	natural white oak	+\$0

Top Finish: Wood Veneer		
<i>For 36" deep x 60" wide (49V) with veneer top with vinyl edge (C)</i>		
<b>2U</b>	light brown walnut	+\$265
<b>40</b>	dark brown walnut	+\$265
<b>9N</b>	santos palisander	+\$1009
<b>A2</b>	white ash	+\$265
<b>CHD</b>	noble cherry	+\$265
<b>EN</b>	ebony	+\$265
<b>OU</b>	walnut	+\$265
<b>UL</b>	natural maple	+\$265
<b>WHN</b>	natural white oak	+\$0

Top Finish: Wood Veneer		
<i>For 36" deep x 72" wide (43V) with veneer top with vinyl edge (C)</i>		
<b>2U</b>	light brown walnut	+\$290
<b>40</b>	dark brown walnut	+\$290
<b>9N</b>	santos palisander	+\$1104
<b>A2</b>	white ash	+\$290
<b>CHD</b>	noble cherry	+\$290
<b>EN</b>	ebony	+\$290
<b>OU</b>	walnut	+\$290
<b>UL</b>	natural maple	+\$290
<b>WHN</b>	natural white oak	+\$0

Top Finish: Wood Veneer		
<i>For 36" deep x 84" wide (44V) with veneer top with vinyl edge (C)</i>		
<b>2U</b>	light brown walnut	+\$305
<b>40</b>	dark brown walnut	+\$305
<b>9N</b>	santos palisander	+\$1161
<b>A2</b>	white ash	+\$305
<b>CHD</b>	noble cherry	+\$305
<b>EN</b>	ebony	+\$305
<b>OU</b>	walnut	+\$305
<b>UL</b>	natural maple	+\$305
<b>WHN</b>	natural white oak	+\$0

Eames® Low Conference Table,  
Oval *continued*

Eames® Tables

Top Finish: Wood Veneer		
<i>For 36" deep x 96" wide (89V) with veneer top with vinyl edge (C)</i>		
<b>2U</b>	light brown walnut	+\$330
<b>40</b>	dark brown walnut	+\$330
<b>9N</b>	santos palisander	+\$1420
<b>A2</b>	white ash	+\$330
<b>CHD</b>	noble cherry	+\$330
<b>EN</b>	ebony	+\$330
<b>OU</b>	walnut	+\$330
<b>UL</b>	natural maple	+\$330
<b>WHN</b>	natural white oak	+\$0

Top Finish: Wood Veneer		
<i>For 42" deep x 66" wide (50V) with veneer top with vinyl edge (C)</i>		
<b>2U</b>	light brown walnut	+\$290
<b>40</b>	dark brown walnut	+\$290
<b>9N</b>	santos palisander	+\$1160
<b>A2</b>	white ash	+\$290
<b>CHD</b>	noble cherry	+\$290
<b>EN</b>	ebony	+\$290
<b>OU</b>	walnut	+\$290
<b>UL</b>	natural maple	+\$290
<b>WHN</b>	natural white oak	+\$0

Top Finish: Wood Veneer		
<i>For 42" deep x 72" wide (51V) with veneer top with vinyl edge (C)</i>		
<b>2U</b>	light brown walnut	+\$305
<b>40</b>	dark brown walnut	+\$305
<b>9N</b>	santos palisander	+\$1220
<b>A2</b>	white ash	+\$305
<b>CHD</b>	noble cherry	+\$305
<b>EN</b>	ebony	+\$305
<b>OU</b>	walnut	+\$305
<b>UL</b>	natural maple	+\$305
<b>WHN</b>	natural white oak	+\$0

Top Finish: Wood Veneer		
<i>For 42" deep x 78" wide (52V) with veneer top with vinyl edge (C)</i>		
<b>2U</b>	light brown walnut	+\$330
<b>40</b>	dark brown walnut	+\$330
<b>9N</b>	santos palisander	+\$1320
<b>A2</b>	white ash	+\$330
<b>CHD</b>	noble cherry	+\$330
<b>EN</b>	ebony	+\$330
<b>OU</b>	walnut	+\$330
<b>UL</b>	natural maple	+\$330
<b>WHN</b>	natural white oak	+\$0

Top Finish: Wood Veneer		
<i>For 42" deep x 84" wide (53V) with veneer top with vinyl edge (C)</i>		
<b>2U</b>	light brown walnut	+\$330
<b>40</b>	dark brown walnut	+\$330
<b>9N</b>	santos palisander	+\$1320
<b>A2</b>	white ash	+\$330
<b>CHD</b>	noble cherry	+\$330
<b>EN</b>	ebony	+\$330
<b>OU</b>	walnut	+\$330
<b>UL</b>	natural maple	+\$330
<b>WHN</b>	natural white oak	+\$0

Top Finish: Wood Veneer		
<i>For 48" deep x 84" wide (54V) with veneer top with vinyl edge (C)</i>		
<b>2U</b>	light brown walnut	+\$385
<b>40</b>	dark brown walnut	+\$385
<b>9N</b>	santos palisander	+\$1656
<b>A2</b>	white ash	+\$385
<b>CHD</b>	noble cherry	+\$385
<b>EN</b>	ebony	+\$385
<b>OU</b>	walnut	+\$385
<b>UL</b>	natural maple	+\$385
<b>WHN</b>	natural white oak	+\$0

Top Finish: Wood Veneer		
<i>For 48" deep x 96" wide (47V) with veneer top with vinyl edge (C)</i>		
<b>2U</b>	light brown walnut	+\$385
<b>40</b>	dark brown walnut	+\$385
<b>9N</b>	santos palisander	+\$1656
<b>A2</b>	white ash	+\$385
<b>CHD</b>	noble cherry	+\$385
<b>EN</b>	ebony	+\$385
<b>OU</b>	walnut	+\$385
<b>UL</b>	natural maple	+\$385
<b>WHN</b>	natural white oak	+\$0

Top Finish: Wood Veneer		
<i>For 54" deep x 90" wide (55V) with veneer top with vinyl edge (C)</i>		
<b>2U</b>	light brown walnut	+\$425
<b>40</b>	dark brown walnut	+\$425
<b>9N</b>	santos palisander	+\$1700
<b>A2</b>	white ash	+\$425
<b>CHD</b>	noble cherry	+\$425
<b>EN</b>	ebony	+\$425
<b>OU</b>	walnut	+\$425
<b>UL</b>	natural maple	+\$425
<b>WHN</b>	natural white oak	+\$0

Eames® Low Conference Table,  
Oval *continued*

Top Finish: Wood Veneer		
<i>For 54" deep x 96" wide (56V) with veneer top with vinyl edge (C)</i>		
<b>2U</b>	light brown walnut	+\$440
<b>40</b>	dark brown walnut	+\$440
<b>9N</b>	santos palisander	+\$1760
<b>A2</b>	white ash	+\$440
<b>CHD</b>	noble cherry	+\$440
<b>EN</b>	ebony	+\$440
<b>OU</b>	walnut	+\$440
<b>UL</b>	natural maple	+\$440
<b>WHN</b>	natural white oak	+\$0

Top Finish: Wood Veneer		
<i>For 54" deep x 108" wide (57V) with veneer top with vinyl edge (C)</i>		
<b>2U</b>	light brown walnut	+\$500
<b>40</b>	dark brown walnut	+\$500
<b>9N</b>	santos palisander	+\$2350
<b>A2</b>	white ash	+\$500
<b>CHD</b>	noble cherry	+\$500
<b>EN</b>	ebony	+\$500
<b>OU</b>	walnut	+\$500
<b>UL</b>	natural maple	+\$500
<b>WHN</b>	natural white oak	+\$0

Top/Edge Finish		
<i>For 30" deep x 60" wide (87V) with veneer top with veneer edge (W)</i>		
<b>2U</b>	light brown walnut	+\$250
<b>40</b>	dark brown walnut	+\$250
<b>9N</b>	santos palisander	+\$950
<b>A2</b>	white ash	+\$250
<b>CHD</b>	noble cherry	+\$250
<b>EN</b>	ebony	+\$250
<b>OU</b>	walnut	+\$250
<b>UL</b>	natural maple	+\$250
<b>WHN</b>	natural white oak	+\$0

Top/Edge Finish		
<i>For 30" deep x 72" wide (88V) with veneer top with veneer edge (W)</i>		
<b>2U</b>	light brown walnut	+\$265
<b>40</b>	dark brown walnut	+\$265
<b>9N</b>	santos palisander	+\$1009
<b>A2</b>	white ash	+\$265
<b>CHD</b>	noble cherry	+\$265
<b>EN</b>	ebony	+\$265
<b>OU</b>	walnut	+\$265
<b>UL</b>	natural maple	+\$265
<b>WHN</b>	natural white oak	+\$0

Top/Edge Finish		
<i>For 36" deep x 60" wide (49V) with veneer top with veneer edge (W)</i>		
<b>2U</b>	light brown walnut	+\$265
<b>40</b>	dark brown walnut	+\$265
<b>9N</b>	santos palisander	+\$1009
<b>A2</b>	white ash	+\$265
<b>CHD</b>	noble cherry	+\$265
<b>EN</b>	ebony	+\$265
<b>OU</b>	walnut	+\$265
<b>UL</b>	natural maple	+\$265
<b>WHN</b>	natural white oak	+\$0

Top/Edge Finish		
<i>For 36" deep x 72" wide (43V) with veneer top with veneer edge (W)</i>		
<b>2U</b>	light brown walnut	+\$290
<b>40</b>	dark brown walnut	+\$290
<b>9N</b>	santos palisander	+\$1104
<b>A2</b>	white ash	+\$290
<b>CHD</b>	noble cherry	+\$290
<b>EN</b>	ebony	+\$290
<b>OU</b>	walnut	+\$290
<b>UL</b>	natural maple	+\$290
<b>WHN</b>	natural white oak	+\$0

Top/Edge Finish		
<i>For 36" deep x 84" wide (44V) with veneer top with veneer edge (W)</i>		
<b>2U</b>	light brown walnut	+\$305
<b>40</b>	dark brown walnut	+\$305
<b>9N</b>	santos palisander	+\$1161
<b>A2</b>	white ash	+\$305
<b>CHD</b>	noble cherry	+\$305
<b>EN</b>	ebony	+\$305
<b>OU</b>	walnut	+\$305
<b>UL</b>	natural maple	+\$305
<b>WHN</b>	natural white oak	+\$0

Top/Edge Finish		
<i>For 36" deep x 96" wide (89V) with veneer top with veneer edge (W)</i>		
<b>2U</b>	light brown walnut	+\$330
<b>40</b>	dark brown walnut	+\$330
<b>9N</b>	santos palisander	+\$1420
<b>A2</b>	white ash	+\$330
<b>CHD</b>	noble cherry	+\$330
<b>EN</b>	ebony	+\$330
<b>OU</b>	walnut	+\$330
<b>UL</b>	natural maple	+\$330
<b>WHN</b>	natural white oak	+\$0

Eames® Low Conference Table,  
Oval *continued*

Eames® Tables

Top/Edge Finish		
<i>For 42" deep x 66" wide (50V) with veneer top with veneer edge (W)</i>		
<b>2U</b>	light brown walnut	+\$290
<b>40</b>	dark brown walnut	+\$290
<b>9N</b>	santos palisander	+\$1160
<b>A2</b>	white ash	+\$290
<b>CHD</b>	noble cherry	+\$290
<b>EN</b>	ebony	+\$290
<b>OU</b>	walnut	+\$290
<b>UL</b>	natural maple	+\$290
<b>WHN</b>	natural white oak	+\$0

Top/Edge Finish		
<i>For 42" deep x 72" wide (51V) with veneer top with veneer edge (W)</i>		
<b>2U</b>	light brown walnut	+\$305
<b>40</b>	dark brown walnut	+\$305
<b>9N</b>	santos palisander	+\$1220
<b>A2</b>	white ash	+\$305
<b>CHD</b>	noble cherry	+\$305
<b>EN</b>	ebony	+\$305
<b>OU</b>	walnut	+\$305
<b>UL</b>	natural maple	+\$305
<b>WHN</b>	natural white oak	+\$0

Top/Edge Finish		
<i>For 42" deep x 78" wide (52V) with veneer top with veneer edge (W)</i>		
<b>2U</b>	light brown walnut	+\$330
<b>40</b>	dark brown walnut	+\$330
<b>9N</b>	santos palisander	+\$1320
<b>A2</b>	white ash	+\$330
<b>CHD</b>	noble cherry	+\$330
<b>EN</b>	ebony	+\$330
<b>OU</b>	walnut	+\$330
<b>UL</b>	natural maple	+\$330
<b>WHN</b>	natural white oak	+\$0

Top/Edge Finish		
<i>For 42" deep x 84" wide (53V) with veneer top with veneer edge (W)</i>		
<b>2U</b>	light brown walnut	+\$330
<b>40</b>	dark brown walnut	+\$330
<b>9N</b>	santos palisander	+\$1320
<b>A2</b>	white ash	+\$330
<b>CHD</b>	noble cherry	+\$330
<b>EN</b>	ebony	+\$330
<b>OU</b>	walnut	+\$330
<b>UL</b>	natural maple	+\$330
<b>WHN</b>	natural white oak	+\$0

Top/Edge Finish		
<i>For 48" deep x 84" wide (54V) with veneer top with veneer edge (W)</i>		
<b>2U</b>	light brown walnut	+\$385
<b>40</b>	dark brown walnut	+\$385
<b>9N</b>	santos palisander	+\$1656
<b>A2</b>	white ash	+\$385
<b>CHD</b>	noble cherry	+\$385
<b>EN</b>	ebony	+\$385
<b>OU</b>	walnut	+\$385
<b>UL</b>	natural maple	+\$385
<b>WHN</b>	natural white oak	+\$0

Top/Edge Finish		
<i>For 48" deep x 96" wide (47V) with veneer top with veneer edge (W)</i>		
<b>2U</b>	light brown walnut	+\$385
<b>40</b>	dark brown walnut	+\$385
<b>9N</b>	santos palisander	+\$1656
<b>A2</b>	white ash	+\$385
<b>CHD</b>	noble cherry	+\$385
<b>EN</b>	ebony	+\$385
<b>OU</b>	walnut	+\$385
<b>UL</b>	natural maple	+\$385
<b>WHN</b>	natural white oak	+\$0

Top/Edge Finish		
<i>For 54" deep x 90" wide (55V) with veneer top with veneer edge (W)</i>		
<b>2U</b>	light brown walnut	+\$425
<b>40</b>	dark brown walnut	+\$425
<b>9N</b>	santos palisander	+\$1700
<b>A2</b>	white ash	+\$425
<b>CHD</b>	noble cherry	+\$425
<b>EN</b>	ebony	+\$425
<b>OU</b>	walnut	+\$425
<b>UL</b>	natural maple	+\$425
<b>WHN</b>	natural white oak	+\$0

Top/Edge Finish		
<i>For 54" deep x 96" wide (56V) with veneer top with veneer edge (W)</i>		
<b>2U</b>	light brown walnut	+\$440
<b>40</b>	dark brown walnut	+\$440
<b>9N</b>	santos palisander	+\$1760
<b>A2</b>	white ash	+\$440
<b>CHD</b>	noble cherry	+\$440
<b>EN</b>	ebony	+\$440
<b>OU</b>	walnut	+\$440
<b>UL</b>	natural maple	+\$440
<b>WHN</b>	natural white oak	+\$0



# Eames® Low Conference Table, Oval *continued*

## Top/Edge Finish

*For 54" deep x 108" wide (57V) with veneer top with veneer edge (W)*

<b>2U</b>	light brown walnut	+\$500
<b>40</b>	dark brown walnut	+\$500
<b>9N</b>	santos palisander	+\$2350
<b>A2</b>	white ash	+\$500
<b>CHD</b>	noble cherry	+\$500
<b>EN</b>	ebony	+\$500
<b>OU</b>	walnut	+\$500
<b>UL</b>	natural maple	+\$500
<b>WHN</b>	natural white oak	+\$0

## Step 8. Edge Finish

*For high-pressure laminate top with vinyl edge (L) or veneer top with vinyl edge (C)*

<b>8Q</b>	folkstone grey	+\$0
<b>91</b>	white	+\$0
<b>98</b>	studio white	+\$0
<b>BK</b>	black	+\$0
<b>BU</b>	black umber	+\$0
<b>CL</b>	cool grey neutral	+\$0
<b>HF</b>	inner tone light	+\$0
<b>LT</b>	light tone	+\$0
<b>LU</b>	soft white	+\$0
<b>SG</b>	slate grey	+\$0
<b>WL</b>	sandstone	+\$0
<b>WN</b>	warm grey neutral	+\$0

## Step 9. Grommet Finish

*For 2 round cutouts, over columns (C2)*

<b>91</b>	white	+\$0
<b>BK</b>	black	+\$0
<b>PA</b>	polished aluminum	+\$0

*For single centered oval cutout (CR) or 2 round cutouts and center oval cutout (CA)*

<b>91</b>	white	+\$0
<b>BK</b>	black	+\$0
<b>PA</b>	polished aluminum	+\$150

## Step 10. Column Finish

<b>91</b>	white	+\$0
<b>BK</b>	black	+\$0
<b>BU</b>	black umber	+\$0
<b>CL</b>	cool grey neutral	+\$0
<b>CN</b>	metallic champagne	+\$0
<b>EH</b>	metallic bronze	+\$0
<b>G2</b>	graphite satin	+\$0
<b>HF</b>	inner tone light	+\$0
<b>LT</b>	light tone	+\$0
<b>LU</b>	soft white	+\$0
<b>MS</b>	metallic silver	+\$0
<b>MT</b>	medium tone	+\$0
<b>SG</b>	slate grey	+\$0
<b>WN</b>	warm grey neutral	+\$0

## Step 11. Base Finish

<b>91</b>	white	+\$0
<b>BK</b>	black	+\$0
<b>BU</b>	black umber	+\$0
<b>CL</b>	cool grey neutral	+\$0
<b>CN</b>	metallic champagne	+\$0
<b>EH</b>	metallic bronze	+\$0
<b>G2</b>	graphite satin	+\$0
<b>HF</b>	inner tone light	+\$0
<b>LT</b>	light tone	+\$0
<b>LU</b>	soft white	+\$0
<b>MS</b>	metallic silver	+\$0
<b>MT</b>	medium tone	+\$0
<b>PA</b>	polished aluminum	+\$0
<b>SG</b>	slate grey	+\$0
<b>WN</b>	warm grey neutral	+\$0

## Step 12. Casters/Glides

*For 30" deep x 60" wide (87V), 30" deep x 72" wide (88V), 36" deep x 60" wide (49V), 36" deep x 72" wide (43V), 36" deep x 84" wide (44V), 36" deep x 96" wide (89V), 42" deep x 66" wide (50V), 42" deep x 72" wide (51V), 42" deep x 78" wide (52V), 42" deep x 84" wide (53V), 48" deep x 84" wide (54V), or 48" deep x 96" wide (47V) with high-pressure laminate top with vinyl edge (L), or veneer top with vinyl edge (C), or veneer top with veneer edge (W), or thin profile HPL top with black edge (M), or solid wood top (SW)*

<b>G</b>	glides	+\$0
<b>C</b>	casters	+\$80

Eames® Low Conference Table,  
Oval *continued*

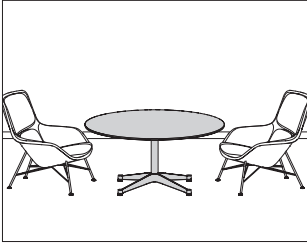
Eames® Tables

For 30" deep x 60" wide (87V), 30" deep x 72" wide (88V), 36" deep x 60" wide (49V), 36" deep x 72" wide (43V), 36" deep x 84" wide (44V), 36" deep x 96" wide (89V), 42" deep x 66" wide (50V), 42" deep x 72" wide (51V), 42" deep x 78" wide (52V), 42" deep x 84" wide (53V), 48" deep x 84" wide (54V), 48" deep x 96" wide (47V), 54" deep x 90" wide (55V), 54" deep x 96" wide (56V), or 54" deep x 108" wide (57V) with high-pressure laminate top with vinyl edge (L), or veneer top with vinyl edge (C), or veneer top with veneer edge (W), or back-painted glass top (G), or thin profile HPL top with black edge (M)

G glides +\$0

Eames® Low Conference Table,  
Round, Stone

ET207  
ET208  
ET209  
ET210



**Product Information**

**Description**

This table has a stone top and comes with adjustable glides. Ships knocked down with assembly required. Top and base components ship in separate packages.

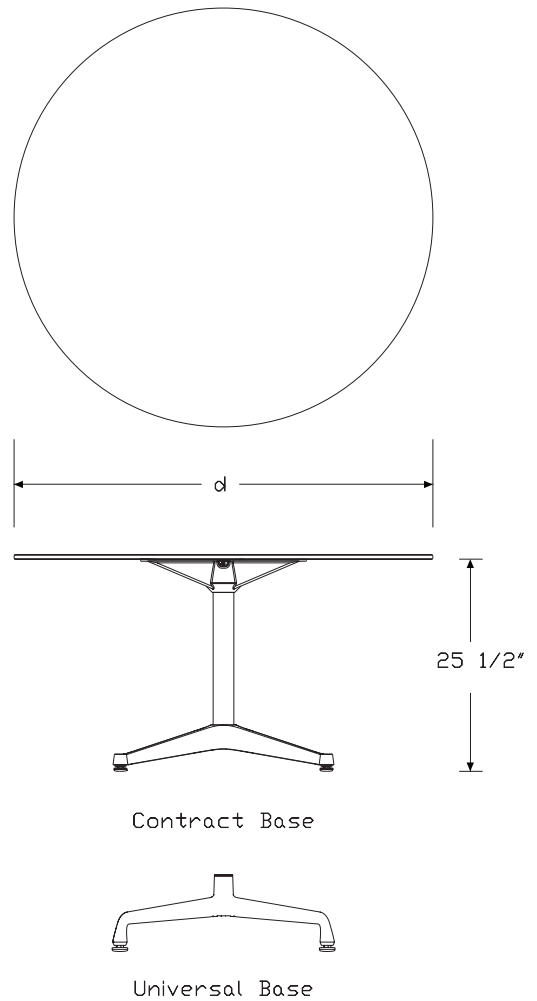
**Notes**

Stone top is  $\frac{3}{4}$ " thick and has a full bullnose edge profile.

Marble tops have a honed finish; quartz tops have a polished finish.

Natural characteristics in stone cause variations in hues, veins, crystals, and distinctive marks. These variations and subtle changes seen as the stone ages are values associated with natural materials. No two tabletops are identically the same; variations in both color and veining are to be expected. Over time the stone may fade in color, staining of the surface may appear, and surface cracks, if not already visible at time of purchase, may appear. Small cracks do not affect the structure of the tabletop.

**Dimensions**



# Eames® Low Conference Table, Round, Stone *continued*

Eames® Tables

## Specification Information

### Step 1.

**ET**

### Step 2. Height

**2** 25½" high

### Step 3. Diameter

**07** 30" diameter

**08** 36" diameter

**09** 42" diameter

**10** 48" diameter

### Step 4. Base

#### For 30" diameter (07) or 36" diameter (08)

**U** universal base

**C** contract base

#### For 42" diameter (09) or 48" diameter (10)

**C** contract base

### Step 5. Surface Material

**S** stone top

### Prices for Steps 1-5.

	<b>S</b>
<b>ET207 U</b>	\$5845
<b>C</b>	\$5845
<b>ET208 U</b>	\$6844
<b>C</b>	\$6844
<b>ET209 C</b>	\$10260
<b>ET210 C</b>	\$10627

### Step 6. Top Finish

#### For 30" diameter (07) with stone top (S)

<b>5U</b> georgia grey marble <input type="checkbox"/>	+\$436
<b>CRR</b> Carrara marble <input type="checkbox"/>	+\$436
<b>QBL</b> black quartz <input type="checkbox"/>	+\$270
<b>QCN</b> concrete quartz <input type="checkbox"/>	-\$250
<b>QPL</b> pearl quartz <input type="checkbox"/>	-\$250

#### For 36" diameter (08) with stone top (S)

<b>5U</b> georgia grey marble <input type="checkbox"/>	+\$526
<b>CRR</b> Carrara marble <input type="checkbox"/>	+\$0
<b>QBL</b> black quartz <input type="checkbox"/>	-\$300
<b>QCN</b> concrete quartz <input type="checkbox"/>	-\$900
<b>QPL</b> pearl quartz <input type="checkbox"/>	-\$900

#### For 42" diameter (09) with stone top (S)

<b>5U</b> georgia grey marble <input type="checkbox"/>	+\$610
<b>CRR</b> Carrara marble <input type="checkbox"/>	-\$1000
<b>QBL</b> black quartz <input type="checkbox"/>	-\$1200
<b>QCN</b> concrete quartz <input type="checkbox"/>	-\$1800
<b>QPL</b> pearl quartz <input type="checkbox"/>	-\$1800

#### For 48" diameter (10) with stone top (S)

<b>5U</b> georgia grey marble <input type="checkbox"/>	+\$711
<b>CRR</b> Carrara marble <input type="checkbox"/>	-\$1000
<b>QBL</b> black quartz <input type="checkbox"/>	-\$1200
<b>QCN</b> concrete quartz <input type="checkbox"/>	-\$1800
<b>QPL</b> pearl quartz <input type="checkbox"/>	-\$1800

### Step 7. Column Finish

<b>91</b> white <input type="checkbox"/>	+\$0
<b>BK</b> black <input type="checkbox"/>	+\$0
<b>BU</b> black umber <input type="checkbox"/>	+\$0
<b>CL</b> cool grey neutral <input type="checkbox"/>	+\$0
<b>G2</b> graphite satin <input type="checkbox"/>	+\$0
<b>HF</b> inner tone light <input type="checkbox"/>	+\$0
<b>LT</b> light tone <input type="checkbox"/>	+\$0
<b>LU</b> soft white <input type="checkbox"/>	+\$0
<b>MT</b> medium tone <input type="checkbox"/>	+\$0
<b>SG</b> slate grey <input type="checkbox"/>	+\$0
<b>WN</b> warm grey neutral <input type="checkbox"/>	+\$0
<b>CN</b> metallic champagne <input type="checkbox"/>	+\$0
<b>EH</b> metallic bronze <input type="checkbox"/>	+\$0
<b>MS</b> metallic silver <input type="checkbox"/>	+\$0

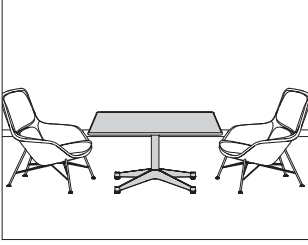
# Eames® Low Conference Table, Round, Stone *continued*

## Step 8. Base Finish

<b>91</b>	white <input type="checkbox"/>	+\$0
<b>BK</b>	black <input type="checkbox"/>	+\$0
<b>BU</b>	black umber <input type="checkbox"/>	+\$0
<b>CL</b>	cool grey neutral <input type="checkbox"/>	+\$0
<b>G2</b>	graphite satin <input type="checkbox"/>	+\$0
<b>HF</b>	inner tone light <input type="checkbox"/>	+\$0
<b>LT</b>	light tone <input type="checkbox"/>	+\$0
<b>LU</b>	soft white <input type="checkbox"/>	+\$0
<b>MT</b>	medium tone <input type="checkbox"/>	+\$0
<b>PA</b>	polished aluminum <input type="checkbox"/>	+\$0
<b>SG</b>	slate grey <input type="checkbox"/>	+\$0
<b>WN</b>	warm grey neutral <input type="checkbox"/>	+\$0
<b>CN</b>	metallic champagne <input type="checkbox"/>	+\$0
<b>EH</b>	metallic bronze <input type="checkbox"/>	+\$0
<b>MS</b>	metallic silver <input type="checkbox"/>	+\$0

Eames® Low Conference Table,  
Square, Stone

ET204  
ET206



Eames® Tables

**Product Information**

**Description**

This table has a stone top and comes with adjustable glides. Ships knocked down with assembly required. Top and base components ship in separate packages.

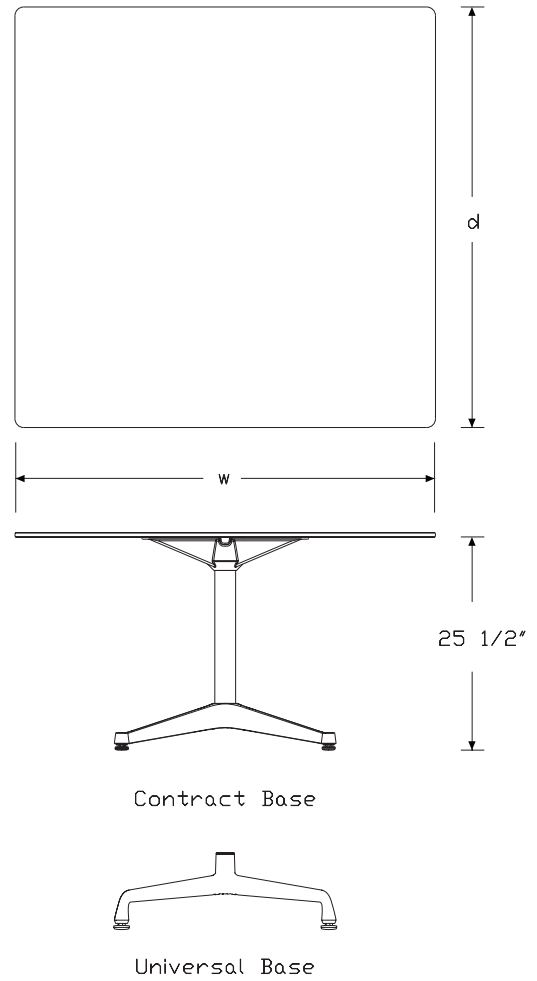
**Notes**

Stone top is  $\frac{3}{4}$ " thick and has a full bullnose edge profile.

Marble tops have a honed finish; quartz tops have a polished finish.

Natural characteristics in stone cause variations in hues, veins, crystals, and distinctive marks. These variations and subtle changes seen as the stone ages are values associated with natural materials. No two tabletops are identically the same; variations in both color and veining are to be expected. Over time the stone may fade in color, staining of the surface may appear, and surface cracks, if not already visible at time of purchase, may appear. Small cracks do not affect the structure of the tabletop.

**Dimensions**



# Eames® Low Conference Table, Square, Stone *continued*

## Specification Information

### Step 1.

**ET**

### Step 2. Height

**2** 25½" high

### Step 3. Depth/Width

**04** 30" deep x 30" wide

**06** 42" deep x 42" wide

### Step 4. Base

#### For 30" deep x 30" wide (04)

**U** universal base

**C** contract base

#### For 42" deep x 42" wide (06)

**C** contract base

### Step 5. Surface Material

**S** stone top

### Prices for Steps 1-5.

	<b>S</b>
<b>ET204 U</b>	\$5845
<b>C</b>	\$5845
<b>ET206 C</b>	\$10260

### Step 6. Top Finish

#### For 30" deep x 30" wide (04) with stone top (S)

**5U** georgia grey marble  +\$436

**CRR** Carrara marble  +\$436

**QBL** black quartz  +\$270

**QCN** concrete quartz  -\$250

**QPL** pearl quartz  -\$250

#### For 42" deep x 42" wide (06) with stone top (S)

**5U** georgia grey marble  +\$610

**CRR** Carrara marble  -\$1000

**QBL** black quartz  -\$1200

**QCN** concrete quartz  -\$1800

**QPL** pearl quartz  -\$1800

### Step 7. Column Finish

**91** white  +\$0

**BK** black  +\$0

**BU** black umber  +\$0

**CL** cool grey neutral  +\$0

**G2** graphite satin  +\$0

**HF** inner tone light  +\$0

**LT** light tone  +\$0

**LU** soft white  +\$0

**MT** medium tone  +\$0

**SG** slate grey  +\$0

**WN** warm grey neutral  +\$0

**CN** metallic champagne  +\$0

**EH** metallic bronze  +\$0

**MS** metallic silver  +\$0

### Step 8. Base Finish

**91** white  +\$0

**BK** black  +\$0

**BU** black umber  +\$0

**CL** cool grey neutral  +\$0

**G2** graphite satin  +\$0

**HF** inner tone light  +\$0

**LT** light tone  +\$0

**LU** soft white  +\$0

**MT** medium tone  +\$0

**PA** polished aluminum  +\$0

**SG** slate grey  +\$0

**WN** warm grey neutral  +\$0

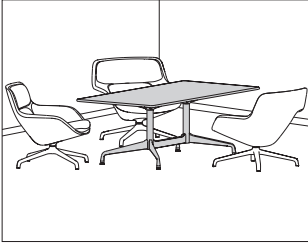
**CN** metallic champagne  +\$0

**EH** metallic bronze  +\$0

**MS** metallic silver  +\$0

Eames® Low Conference Table,  
Rectangular, Stone

ET243  
ET250  
ET252  
ET287



Eames® Tables

**Product Information**

**Description**

This table has a stone top and comes with adjustable glides. Ships knocked down with assembly required. Top and base components ship in separate packages.

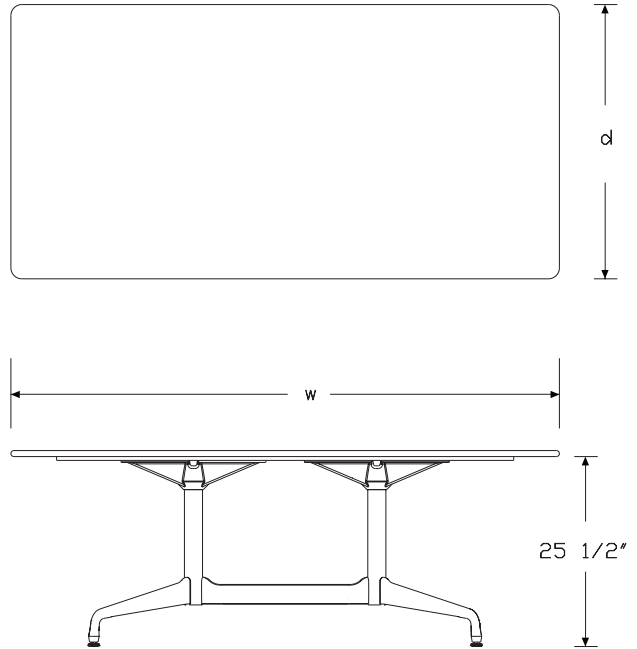
**Notes**

Stone top is  $\frac{3}{4}$ " thick and has a full bullnose edge profile.

Marble tops have a honed finish; quartz tops have a polished finish.

Natural characteristics in stone cause variations in hues, veins, crystals, and distinctive marks. These variations and subtle changes seen as the stone ages are values associated with natural materials. No two tabletops are identically the same; variations in both color and veining are to be expected. Over time the stone may fade in color, staining of the surface may appear, and surface cracks, if not already visible at time of purchase, may appear. Small cracks do not affect the structure of the tabletop.

**Dimensions**



Segmented Base



# Eames® Low Conference Table, Rectangular, Stone *continued*

## Specification Information

### Step 1.

**ET**

### Step 2. Height

**2** 25½" high

### Step 3. Depth/Width

**43R** 36" deep x 72" wide

**50R** 42" deep x 66" wide

**52R** 42" deep x 78" wide

**87R** 30" deep x 60" wide

### Step 4. Base

**S** segmented base

### Step 5. Surface Material

**S** stone top

### Prices for Steps 1-5.

	<b>S</b>
<b>ET243R S</b>	\$15366
<b>ET250R S</b>	\$14960
<b>ET252R S</b>	\$15759
<b>ET287R S</b>	\$13740

### Step 6. Top Finish

<i>For 36" deep x 72" wide (43R) with stone top (S)</i>	
<b>5U</b> georgia grey marble <input type="checkbox"/>	+\$1148
<b>CRR</b> Carrara marble <input type="checkbox"/>	-\$500
<b>QBL</b> black quartz <input type="checkbox"/>	-\$1200
<b>QCN</b> concrete quartz <input type="checkbox"/>	-\$3000
<b>QPL</b> pearl quartz <input type="checkbox"/>	-\$3000

<i>For 42" deep x 66" wide (50R) with stone top (S)</i>	
<b>5U</b> georgia grey marble <input type="checkbox"/>	+\$0
<b>CRR</b> Carrara marble <input type="checkbox"/>	-\$500
<b>QBL</b> black quartz <input type="checkbox"/>	-\$1400
<b>QCN</b> concrete quartz <input type="checkbox"/>	-\$3000
<b>QPL</b> pearl quartz <input type="checkbox"/>	-\$3000

<i>For 42" deep x 78" wide (52R) with stone top (S)</i>	
<b>5U</b> georgia grey marble <input type="checkbox"/>	+\$0
<b>CRR</b> Carrara marble <input type="checkbox"/>	-\$800
<b>QBL</b> black quartz <input type="checkbox"/>	-\$1400
<b>QCN</b> concrete quartz <input type="checkbox"/>	-\$3000
<b>QPL</b> pearl quartz <input type="checkbox"/>	-\$3000

<i>For 30" deep x 60" wide (87R) with stone top (S)</i>	
<b>5U</b> georgia grey marble <input type="checkbox"/>	+\$1026
<b>CRR</b> Carrara marble <input type="checkbox"/>	-\$500
<b>QBL</b> black quartz <input type="checkbox"/>	-\$1400
<b>QCN</b> concrete quartz <input type="checkbox"/>	-\$2200
<b>QPL</b> pearl quartz <input type="checkbox"/>	-\$2200

### Step 7. Column Finish

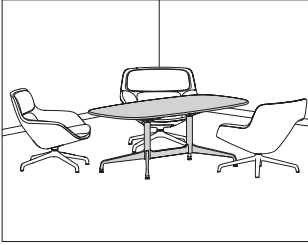
<b>91</b> white <input type="checkbox"/>	+\$0
<b>BK</b> black <input type="checkbox"/>	+\$0
<b>BU</b> black umber <input type="checkbox"/>	+\$0
<b>CL</b> cool grey neutral <input type="checkbox"/>	+\$0
<b>G2</b> graphite satin <input type="checkbox"/>	+\$0
<b>HF</b> inner tone light <input type="checkbox"/>	+\$0
<b>LT</b> light tone <input type="checkbox"/>	+\$0
<b>LU</b> soft white <input type="checkbox"/>	+\$0
<b>MT</b> medium tone <input type="checkbox"/>	+\$0
<b>SG</b> slate grey <input type="checkbox"/>	+\$0
<b>WN</b> warm grey neutral <input type="checkbox"/>	+\$0
<b>CN</b> metallic champagne <input type="checkbox"/>	+\$0
<b>EH</b> metallic bronze <input type="checkbox"/>	+\$0
<b>MS</b> metallic silver <input type="checkbox"/>	+\$0

### Step 8. Base Finish

<b>91</b> white <input type="checkbox"/>	+\$0
<b>BK</b> black <input type="checkbox"/>	+\$0
<b>BU</b> black umber <input type="checkbox"/>	+\$0
<b>CL</b> cool grey neutral <input type="checkbox"/>	+\$0
<b>G2</b> graphite satin <input type="checkbox"/>	+\$0
<b>HF</b> inner tone light <input type="checkbox"/>	+\$0
<b>LT</b> light tone <input type="checkbox"/>	+\$0
<b>LU</b> soft white <input type="checkbox"/>	+\$0
<b>MT</b> medium tone <input type="checkbox"/>	+\$0
<b>PA</b> polished aluminum <input type="checkbox"/>	+\$0
<b>SG</b> slate grey <input type="checkbox"/>	+\$0
<b>WN</b> warm grey neutral <input type="checkbox"/>	+\$0
<b>CN</b> metallic champagne <input type="checkbox"/>	+\$0
<b>EH</b> metallic bronze <input type="checkbox"/>	+\$0
<b>MS</b> metallic silver <input type="checkbox"/>	+\$0

Eames® Low Conference Table,  
Oval, Stone

ET243  
ET250  
ET252  
ET287



Eames® Tables

**Product Information**

**Description**

This table has a stone top and comes with adjustable glides. Ships knocked down with assembly required. Top and base components ship in separate packages.

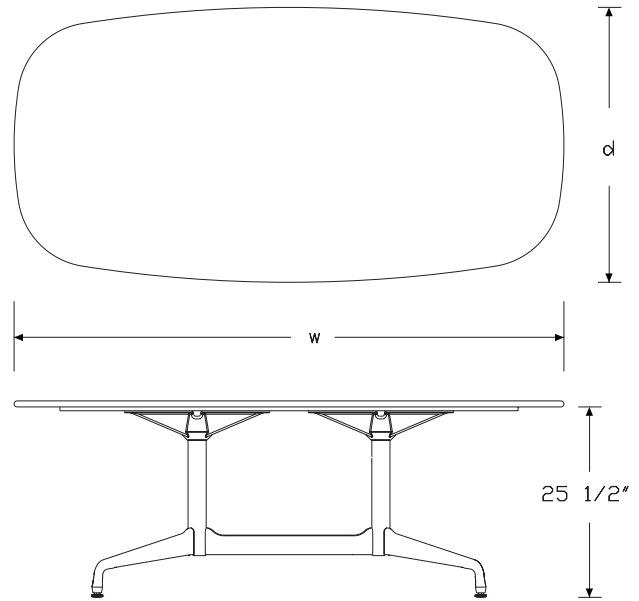
**Notes**

Stone top is  $\frac{3}{4}$ " thick and has a full bullnose edge profile.

Marble tops have a honed finish; quartz tops have a polished finish.

Natural characteristics in stone cause variations in hues, veins, crystals, and distinctive marks. These variations and subtle changes seen as the stone ages are values associated with natural materials. No two tabletops are identically the same; variations in both color and veining are to be expected. Over time the stone may fade in color, staining of the surface may appear, and surface cracks, if not already visible at time of purchase, may appear. Small cracks do not affect the structure of the tabletop.

**Dimensions**



Segmented Base

Eames® Low Conference Table,  
Oval, Stone *continued*

**Specification Information**

Step 1.

ET

Step 2. Height

2 25½" high

Step 3. Depth/Width

**87V** 30" deep x 60" wide

**43V** 36" deep x 72" wide

**50V** 42" deep x 66" wide

**52V** 42" deep x 78" wide

Step 4. Base

**S** segmented base

Step 5. Surface Material

**S** stone top

Prices for Steps 1-5.

	<b>S</b>
<b>ET287V S</b>	\$13740
<b>ET243V S</b>	\$15366
<b>ET250V S</b>	\$14960
<b>ET252V S</b>	\$15759

Step 6. Top Finish

*For 30" deep x 60" wide (87V) with stone top (S)*

<b>5U</b> georgia grey marble <input type="checkbox"/>	+\$700
<b>CRR</b> Carrara marble <input type="checkbox"/>	+\$450
<b>QBL</b> black quartz <input type="checkbox"/>	-\$400
<b>QCN</b> concrete quartz <input type="checkbox"/>	-\$1200
<b>QPL</b> pearl quartz <input type="checkbox"/>	-\$1200

*For 36" deep x 72" wide (43V) with stone top (S)*

<b>5U</b> georgia grey marble <input type="checkbox"/>	+\$0
<b>CRR</b> Carrara marble <input type="checkbox"/>	-\$300
<b>QBL</b> black quartz <input type="checkbox"/>	-\$350
<b>QCN</b> concrete quartz <input type="checkbox"/>	-\$2000
<b>QPL</b> pearl quartz <input type="checkbox"/>	-\$2000

*For 42" deep x 66" wide (50V) with stone top (S)*

<b>5U</b> georgia grey marble <input type="checkbox"/>	+\$1117
<b>CRR</b> Carrara marble <input type="checkbox"/>	+\$500
<b>QBL</b> black quartz <input type="checkbox"/>	-\$500
<b>QCN</b> concrete quartz <input type="checkbox"/>	-\$2000
<b>QPL</b> pearl quartz <input type="checkbox"/>	-\$2000

*For 42" deep x 78" wide (52V) with stone top (S)*

<b>5U</b> georgia grey marble <input type="checkbox"/>	+\$1177
<b>CRR</b> Carrara marble <input type="checkbox"/>	+\$500
<b>QBL</b> black quartz <input type="checkbox"/>	-\$500
<b>QCN</b> concrete quartz <input type="checkbox"/>	-\$2000
<b>QPL</b> pearl quartz <input type="checkbox"/>	-\$2000

Step 7. Column Finish

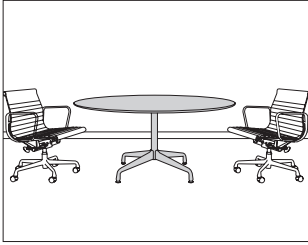
<b>91</b> white <input type="checkbox"/>	+\$0
<b>BK</b> black <input type="checkbox"/>	+\$0
<b>BU</b> black umber <input type="checkbox"/>	+\$0
<b>CL</b> cool grey neutral <input type="checkbox"/>	+\$0
<b>G2</b> graphite satin <input type="checkbox"/>	+\$0
<b>HF</b> inner tone light <input type="checkbox"/>	+\$0
<b>LT</b> light tone <input type="checkbox"/>	+\$0
<b>LU</b> soft white <input type="checkbox"/>	+\$0
<b>MT</b> medium tone <input type="checkbox"/>	+\$0
<b>SG</b> slate grey <input type="checkbox"/>	+\$0
<b>WN</b> warm grey neutral <input type="checkbox"/>	+\$0
<b>CN</b> metallic champagne <input type="checkbox"/>	+\$0
<b>EH</b> metallic bronze <input type="checkbox"/>	+\$0
<b>MS</b> metallic silver <input type="checkbox"/>	+\$0

Step 8. Base Finish

<b>91</b> white <input type="checkbox"/>	+\$0
<b>BK</b> black <input type="checkbox"/>	+\$0
<b>BU</b> black umber <input type="checkbox"/>	+\$0
<b>CL</b> cool grey neutral <input type="checkbox"/>	+\$0
<b>CN</b> metallic champagne <input type="checkbox"/>	+\$0
<b>EH</b> metallic bronze <input type="checkbox"/>	+\$0
<b>G2</b> graphite satin <input type="checkbox"/>	+\$0
<b>HF</b> inner tone light <input type="checkbox"/>	+\$0
<b>LT</b> light tone <input type="checkbox"/>	+\$0
<b>LU</b> soft white <input type="checkbox"/>	+\$0
<b>MS</b> metallic silver <input type="checkbox"/>	+\$0
<b>MT</b> medium tone <input type="checkbox"/>	+\$0
<b>PA</b> polished aluminum <input type="checkbox"/>	+\$0
<b>SG</b> slate grey <input type="checkbox"/>	+\$0
<b>WN</b> warm grey neutral <input type="checkbox"/>	+\$0

Eames® Conference Table, Round

- ET107
- ET108
- ET122
- ET123
- ET124
- ET125
- ET126
- ET127
- ET129



Eames® Tables

**Product Information**

**Description**

This table has a laminate or veneer top with vinyl edge, a veneer top and edge, a thin-profile HPL top with black edge, a back-painted glass top with modified bullnose edge, or a solid wood top. Table may be specified with cutouts to accommodate simple power options (specified separately). Each table has adjustable glides or casters. Shipped knocked down.

**Notes**

30"-60" tables have a 1-piece top and single column base. 66"-96" tables have 2-piece tops and a 4-column segmented base.

Laminate tops 30"-48" diameter are 7/8" thick; tops 54"-96" diameter are 1 1/8" thick.

Veneer tops 30"-48" diameter are 3/4" thick; tops 54"-96" diameter are 1 1/8" thick.

Thin profile HPL tops are 1/2" thick.

Glass tops are back-painted, with a satin etch finish to reduce the appearance of fingerprints. Tops 30"-48" diameter are 1/2" thick; tops 54"-60" diameter are 3/8" thick.

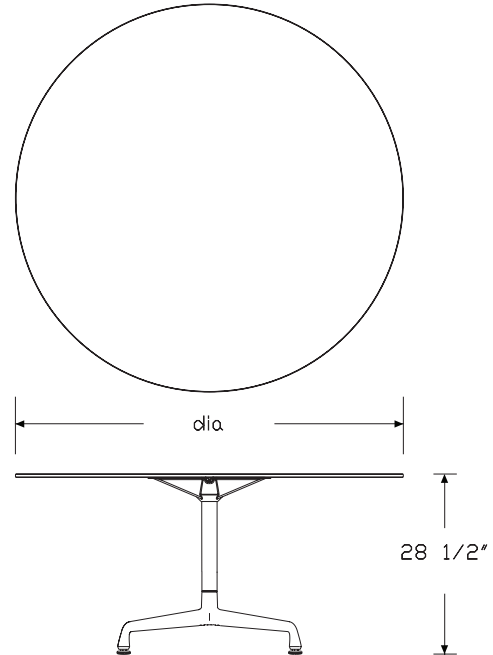
30" and 36" diameter tables may only accommodate USB access. Single center cutout (CC) grommet option must be specified. Grommet option is a non-functional hole plug. For USB access, order round dual USB charging unit (ET990.) separately.

42"-60" diameter tables may accommodate power. Single center cutout (CC) grommet option must be specified. Grommet provides simple pass-through with wire management features and a hinged lid. For power access, order round power module (ET991.) separately.

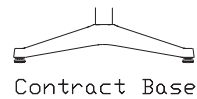
Multiple column tables (66"-96" diameter) may accommodate up to 4 power modules. Four cutouts (C4) option must be specified; cutouts are aligned above the columns. Grommets provide simple pass-through with wire management features and a hinged lid. For power access, order round power module (ET991.) separately.

Santos palisander veneer is celebrated for its unique grain and color variations. Similar products ordered in multiples or dissimilar products ordered separately should be expected to have variation in both grain and color characteristics; no two products will look exactly alike.

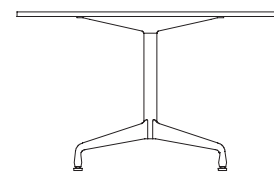
**Dimensions**



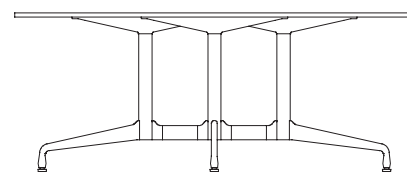
Universal Base



Contract Base



30"-60" Diameter, Segmented Base



66"-96" Diameter, Segmented Base

# Eames® Conference Table, Round

continued

## Specification Information

### Step 1.

**ET**

### Step 2. Height

**1** 28½" high

### Step 3. Diameter

- 07** 30" diameter
- 08** 36" diameter
- 22** 42" diameter
- 23** 48" diameter
- 24** 54" diameter
- 25** 60" diameter
- 26** 66" diameter
- 27** 72" diameter
- 29** 84" diameter
- 31** 96" diameter

### Step 4. Base

*For 54" diameter (24), 60" diameter (25), 66" diameter (26), 72" diameter (27), 84" diameter (29), or 96" diameter (31)*

**S** segmented base

*For 42" diameter (22) or 48" diameter (23)*

**C** contract base

**S** segmented base

*For 30" diameter (07) or 36" diameter (08)*

**C** contract base

**U** universal base

### Step 5. Surface Material

*For 30" diameter (07), 36" diameter (08), or 42" diameter (22)*

**L** high-pressure laminate top with vinyl edge

**C** veneer top with vinyl edge A

**W** veneer top with veneer edge A

**M** thin profile HPL top with black edge

**G** back-painted glass top

**SW** solid wood top A

### For 48" diameter (23)

**L** high-pressure laminate top with vinyl edge A

**C** veneer top with vinyl edge A

**W** veneer top with veneer edge A

**M** thin profile HPL top with black edge A

**G** back-painted glass top A

### For 66" diameter (26), 72" diameter (27), 84" diameter (29), or 96" diameter (31)

**L** high-pressure laminate top with vinyl edge

**C** veneer top with vinyl edge

**W** veneer top with veneer edge

### For 54" diameter (24) or 60" diameter (25)

**L** high-pressure laminate top with vinyl edge A

**C** veneer top with vinyl edge A

**W** veneer top with veneer edge A

**G** back-painted glass top A

### Step 6. Grommets

*For 30" diameter (07), 36" diameter (08), 42" diameter (22), 48" diameter (23), 54" diameter (24), or 60" diameter (25)*

**NG** no grommet

**CC** single center cutout

*For 66" diameter (26), 72" diameter (27), 84" diameter (29), or 96" diameter (31)*

**NG** no grommet

**C4** four cutouts

### Prices for Steps 1-6.

			<b>NG</b>	<b>C4</b>	<b>CC</b>
<b>ET107</b>	<b>C</b>	<b>L</b>	\$1246	—	1311
		<b>C</b>	\$1463	—	1527
		<b>W</b>	\$1650	—	1714
	<b>M</b>	<b>G</b>	\$2273	—	2386
		<b>G</b>	\$4970	—	5578
		<b>SW</b>	\$4371	—	5029
<b>U</b>	<b>L</b>	<b>L</b>	\$1246	—	1311
		<b>C</b>	\$1463	—	1527
		<b>W</b>	\$1650	—	1714
	<b>M</b>	<b>G</b>	\$2273	—	2386
		<b>G</b>	\$4970	—	5578
		<b>SW</b>	\$4371	—	5029

# Eames® Conference Table, Round

continued

Eames® Tables

			NG	C4	CC
<b>ET108</b>	<b>C</b>	<b>L</b>	\$1358	—	1422
		<b>C</b>	\$1575	—	1638
	<b>W</b>	<b>M</b>	\$1819	—	1880
		<b>G</b>	\$2784	—	2893
	<b>SW</b>	<b>G</b>	\$6051	—	6608
		<b>SW</b>	\$5656	—	6274
<b>U</b>	<b>L</b>	<b>L</b>	\$1358	—	1422
		<b>C</b>	\$1575	—	1638
	<b>W</b>	<b>M</b>	\$1819	—	1880
		<b>G</b>	\$2784	—	2893
	<b>SW</b>	<b>G</b>	\$6051	—	6608
		<b>SW</b>	\$5656	—	6274
<b>ET122</b>	<b>C</b>	<b>L</b>	\$1838	—	2170
		<b>C</b>	\$2113	—	2444
	<b>W</b>	<b>M</b>	\$2372	—	2704
		<b>G</b>	\$4683	—	5016
	<b>SW</b>	<b>G</b>	\$8350	—	9129
		<b>SW</b>	\$7091	—	7750
<b>S</b>	<b>L</b>	<b>L</b>	\$1838	—	2170
		<b>C</b>	\$2113	—	2444
	<b>W</b>	<b>M</b>	\$2372	—	2704
		<b>G</b>	\$4683	—	5016
	<b>SW</b>	<b>G</b>	\$8350	—	9129
		<b>SW</b>	\$7091	—	7750
<b>ET123</b>	<b>C</b>	<b>L</b>	\$2024	—	2359
		<b>C</b>	\$2315	—	2648
	<b>W</b>	<b>M</b>	\$2561	—	2892
		<b>G</b>	\$4797	—	5132
	<b>SW</b>	<b>G</b>	\$10330	—	11121
		<b>SW</b>	\$10330	—	11121
<b>S</b>	<b>L</b>	<b>L</b>	\$2024	—	2359
		<b>C</b>	\$2315	—	2648
	<b>W</b>	<b>M</b>	\$2561	—	2892
		<b>G</b>	\$4797	—	5132
	<b>SW</b>	<b>G</b>	\$10330	—	11121
		<b>SW</b>	\$10330	—	11121
<b>ET124</b>	<b>S</b>	<b>L</b>	\$2517	—	2847
		<b>C</b>	\$2918	—	3253
	<b>G</b>	<b>W</b>	\$3108	—	3439
		<b>G</b>	\$14516	—	15052

			NG	C4	CC
<b>ET125</b>	<b>S</b>	<b>L</b>	\$3253	—	3585
		<b>C</b>	\$3727	—	4061
	<b>G</b>	<b>W</b>	\$4161	—	4495
		<b>G</b>	\$17391	—	18084
<b>ET126</b>	<b>S</b>	<b>L</b>	\$4737	6068	—
		<b>C</b>	\$5244	6574	—
	<b>W</b>	\$5822	7152	—	
<b>ET127</b>	<b>S</b>	<b>L</b>	\$4939	6267	—
		<b>C</b>	\$5592	6919	—
	<b>W</b>	\$6239	7571	—	
<b>ET129</b>	<b>S</b>	<b>L</b>	\$5576	6903	—
		<b>C</b>	\$6487	7816	—
	<b>W</b>	\$7209	8537	—	
<b>ET131</b>	<b>S</b>	<b>L</b>	\$6771	8100	—
		<b>C</b>	\$7975	9302	—
	<b>W</b>	\$8840	10169	—	

## Step 7.

### Top Finish: Finish

For 30" diameter (07), 36" diameter (08), 42" diameter (22), 48" diameter (23), 54" diameter (24), or 60" diameter (25) with back-painted glass top (G)

<b>8Q</b>	folkstone grey	+\$0
<b>91</b>	white	+\$0
<b>BK</b>	black	+\$0
<b>WN</b>	warm grey neutral	+\$0

### Top Finish: Finish

For 30" diameter (07), 36" diameter (08), 42" diameter (22), 48" diameter (23), 54" diameter (24), or 60" diameter (25) with thin profile HPL top with black edge (M)

<b>91</b>	white	+\$0
<b>G1</b>	graphite	+\$0
<b>BK</b>	black	+\$0

# Eames® Conference Table, Round

continued

## Top Finish: Solid-Color Laminate

For 30" diameter (07), 36" diameter (08), 42" diameter (22), 48" diameter (23), 54" diameter (24), 60" diameter (25), 66" diameter (26), 72" diameter (27), 84" diameter (29), or 96" diameter (31) with high-pressure laminate top with vinyl edge (L)

<b>8Q</b>	folkstone grey	+\$0
<b>91</b>	white	+\$0
<b>98</b>	studio white	+\$0
<b>BKM</b>	black matte	+\$0
<b>CL</b>	cool grey neutral	+\$0
<b>HF</b>	inner tone light	+\$0
<b>LT</b>	light tone	+\$0
<b>LU</b>	soft white	+\$0
<b>WL</b>	sandstone	+\$0
<b>WN</b>	warm grey neutral	+\$0

## Top Finish

For 30" diameter (07) with solid wood top (SW)

<b>OU</b>	walnut <b>A</b>	+\$335
<b>WHN</b>	natural white oak <b>A</b>	+\$0

## Top Finish

For 36" diameter (08) with solid wood top (SW)

<b>OU</b>	walnut <b>A</b>	+\$480
<b>WHN</b>	natural white oak <b>A</b>	+\$0

## Top Finish

For 42" diameter (22) with solid wood top (SW)

<b>OU</b>	walnut <b>A</b>	+\$580
<b>WHN</b>	natural white oak <b>A</b>	+\$0

## Top Finish: Wood Veneer

For 30" diameter (07) or 36" diameter (08) with veneer top with vinyl edge (C)

<b>2U</b>	light brown walnut	+\$105
<b>40</b>	dark brown walnut	+\$105
<b>9N</b>	santos palisander	+\$380
<b>A2</b>	white ash	+\$105
<b>CHD</b>	noble cherry	+\$105
<b>EN</b>	ebony	+\$105
<b>OU</b>	walnut	+\$105
<b>UL</b>	natural maple	+\$105
<b>WHN</b>	natural white oak	+\$105

## Top Finish: Wood Veneer

For 42" diameter (22) with veneer top with vinyl edge (C)

<b>2U</b>	light brown walnut	+\$130
<b>40</b>	dark brown walnut	+\$130
<b>9N</b>	santos palisander	+\$720
<b>A2</b>	white ash	+\$130
<b>CHD</b>	noble cherry	+\$130
<b>EN</b>	ebony	+\$130
<b>OU</b>	walnut	+\$130
<b>UL</b>	natural maple	+\$130
<b>WHN</b>	natural white oak	+\$130

## Top Finish: Wood Veneer

For 48" diameter (23) with veneer top with vinyl edge (C)

<b>2U</b>	light brown walnut	+\$175
<b>40</b>	dark brown walnut	+\$175
<b>9N</b>	santos palisander	+\$839
<b>A2</b>	white ash	+\$175
<b>CHD</b>	noble cherry	+\$175
<b>EN</b>	ebony	+\$175
<b>OU</b>	walnut	+\$175
<b>UL</b>	natural maple	+\$175
<b>WHN</b>	natural white oak	+\$175

## Top Finish: Wood Veneer

For 54" diameter (24) with veneer top with vinyl edge (C)

<b>2U</b>	light brown walnut	+\$230
<b>40</b>	dark brown walnut	+\$230
<b>9N</b>	santos palisander	+\$976
<b>A2</b>	white ash	+\$230
<b>CHD</b>	noble cherry	+\$230
<b>EN</b>	ebony	+\$230
<b>OU</b>	walnut	+\$230
<b>UL</b>	natural maple	+\$230
<b>WHN</b>	natural white oak	+\$230

## Top Finish: Wood Veneer

For 60" diameter (25) with veneer top with vinyl edge (C)

<b>2U</b>	light brown walnut	+\$365
<b>40</b>	dark brown walnut	+\$365
<b>9N</b>	santos palisander	+\$2044
<b>A2</b>	white ash	+\$365
<b>CHD</b>	noble cherry	+\$365
<b>EN</b>	ebony	+\$365
<b>OU</b>	walnut	+\$365
<b>UL</b>	natural maple	+\$365
<b>WHN</b>	natural white oak	+\$365

# Eames® Conference Table, Round

continued

Eames® Tables

Top Finish: Wood Veneer		
<i>For 66" diameter (26) with veneer top with vinyl edge (C)</i>		
<b>2U</b>	light brown walnut	+\$365
<b>40</b>	dark brown walnut	+\$365
<b>9N</b>	santos palisander	+\$2044
<b>A2</b>	white ash	+\$365
<b>CHD</b>	noble cherry	+\$365
<b>EN</b>	ebony	+\$365
<b>OU</b>	walnut	+\$365
<b>UL</b>	natural maple	+\$365
<b>WHN</b>	natural white oak	+\$365

Top Finish: Wood Veneer		
<i>For 72" diameter (27) with veneer top with vinyl edge (C)</i>		
<b>2U</b>	light brown walnut	+\$365
<b>40</b>	dark brown walnut	+\$365
<b>9N</b>	santos palisander	+\$2044
<b>A2</b>	white ash	+\$365
<b>CHD</b>	noble cherry	+\$365
<b>EN</b>	ebony	+\$365
<b>OU</b>	walnut	+\$365
<b>UL</b>	natural maple	+\$365
<b>WHN</b>	natural white oak	+\$365

Top Finish: Wood Veneer		
<i>For 84" diameter (29) with veneer top with vinyl edge (C)</i>		
<b>2U</b>	light brown walnut	+\$425
<b>40</b>	dark brown walnut	+\$425
<b>9N</b>	santos palisander	+\$2380
<b>A2</b>	white ash	+\$425
<b>CHD</b>	noble cherry	+\$425
<b>EN</b>	ebony	+\$425
<b>OU</b>	walnut	+\$425
<b>UL</b>	natural maple	+\$425
<b>WHN</b>	natural white oak	+\$425

Top Finish: Wood Veneer		
<i>For 96" diameter (31) with veneer top with vinyl edge (C)</i>		
<b>2U</b>	light brown walnut	+\$495
<b>40</b>	dark brown walnut	+\$495
<b>9N</b>	santos palisander	+\$2782
<b>A2</b>	white ash	+\$495
<b>CHD</b>	noble cherry	+\$495
<b>EN</b>	ebony	+\$495
<b>OU</b>	walnut	+\$495
<b>UL</b>	natural maple	+\$495
<b>WHN</b>	natural white oak	+\$495

Top/Edge Finish		
<i>For 30" diameter (07) or 36" diameter (08) with veneer top with veneer edge (W)</i>		
<b>2U</b>	light brown walnut	+\$105
<b>40</b>	dark brown walnut	+\$105
<b>9N</b>	santos palisander	+\$380
<b>A2</b>	white ash	+\$105
<b>CHD</b>	noble cherry	+\$105
<b>EN</b>	ebony	+\$105
<b>OU</b>	walnut	+\$105
<b>UL</b>	natural maple	+\$105
<b>WHN</b>	natural white oak	+\$105

Top/Edge Finish		
<i>For 42" diameter (22) with veneer top with veneer edge (W)</i>		
<b>2U</b>	light brown walnut	+\$130
<b>40</b>	dark brown walnut	+\$130
<b>9N</b>	santos palisander	+\$720
<b>A2</b>	white ash	+\$130
<b>CHD</b>	noble cherry	+\$130
<b>EN</b>	ebony	+\$130
<b>OU</b>	walnut	+\$130
<b>UL</b>	natural maple	+\$130
<b>WHN</b>	natural white oak	+\$130

Top/Edge Finish		
<i>For 48" diameter (23) with veneer top with veneer edge (W)</i>		
<b>2U</b>	light brown walnut	+\$175
<b>40</b>	dark brown walnut	+\$175
<b>9N</b>	santos palisander	+\$839
<b>A2</b>	white ash	+\$175
<b>CHD</b>	noble cherry	+\$175
<b>EN</b>	ebony	+\$175
<b>OU</b>	walnut	+\$175
<b>UL</b>	natural maple	+\$175
<b>WHN</b>	natural white oak	+\$175



# Eames® Conference Table, Round

continued

Top/Edge Finish		
<i>For 54" diameter (24) with veneer top with veneer edge (W)</i>		
<b>2U</b>	light brown walnut	+\$230
<b>40</b>	dark brown walnut	+\$230
<b>9N</b>	santos palisander	+\$976
<b>A2</b>	white ash	+\$230
<b>CHD</b>	noble cherry	+\$230
<b>EN</b>	ebony	+\$230
<b>OU</b>	walnut	+\$230
<b>UL</b>	natural maple	+\$230
<b>WHN</b>	natural white oak	+\$230

Top/Edge Finish		
<i>For 60" diameter (25) with veneer top with veneer edge (W)</i>		
<b>2U</b>	light brown walnut	+\$365
<b>40</b>	dark brown walnut	+\$365
<b>9N</b>	santos palisander	+\$2044
<b>A2</b>	white ash	+\$365
<b>CHD</b>	noble cherry	+\$365
<b>EN</b>	ebony	+\$365
<b>OU</b>	walnut	+\$365
<b>UL</b>	natural maple	+\$365
<b>WHN</b>	natural white oak	+\$365

Top/Edge Finish		
<i>For 66" diameter (26) with veneer top with veneer edge (W)</i>		
<b>2U</b>	light brown walnut	+\$365
<b>40</b>	dark brown walnut	+\$365
<b>9N</b>	santos palisander	+\$2044
<b>A2</b>	white ash	+\$365
<b>CHD</b>	noble cherry	+\$365
<b>EN</b>	ebony	+\$365
<b>OU</b>	walnut	+\$365
<b>UL</b>	natural maple	+\$365
<b>WHN</b>	natural white oak	+\$365

Top/Edge Finish		
<i>For 72" diameter (27) with veneer top with veneer edge (W)</i>		
<b>2U</b>	light brown walnut	+\$365
<b>40</b>	dark brown walnut	+\$365
<b>9N</b>	santos palisander	+\$2044
<b>A2</b>	white ash	+\$365
<b>CHD</b>	noble cherry	+\$365
<b>EN</b>	ebony	+\$365
<b>OU</b>	walnut	+\$365
<b>UL</b>	natural maple	+\$365
<b>WHN</b>	natural white oak	+\$365

Top/Edge Finish		
<i>For 84" diameter (29) with veneer top with veneer edge (W)</i>		
<b>2U</b>	light brown walnut	+\$425
<b>40</b>	dark brown walnut	+\$425
<b>9N</b>	santos palisander	+\$2380
<b>A2</b>	white ash	+\$425
<b>CHD</b>	noble cherry	+\$425
<b>EN</b>	ebony	+\$425
<b>OU</b>	walnut	+\$425
<b>UL</b>	natural maple	+\$425
<b>WHN</b>	natural white oak	+\$425

Top/Edge Finish		
<i>For 96" diameter (31) with veneer top with veneer edge (W)</i>		
<b>2U</b>	light brown walnut	+\$495
<b>40</b>	dark brown walnut	+\$495
<b>9N</b>	santos palisander	+\$2782
<b>A2</b>	white ash	+\$495
<b>CHD</b>	noble cherry	+\$495
<b>EN</b>	ebony	+\$495
<b>OU</b>	walnut	+\$495
<b>UL</b>	natural maple	+\$495
<b>WHN</b>	natural white oak	+\$495

Step 8. Edge Finish		
<i>For high-pressure laminate top with vinyl edge (L) or veneer top with vinyl edge (C)</i>		
<b>8Q</b>	folkstone grey	+\$0
<b>91</b>	white	+\$0
<b>98</b>	studio white	+\$0
<b>BK</b>	black	+\$0
<b>BU</b>	black umber	+\$0
<b>CL</b>	cool grey neutral	+\$0
<b>HF</b>	inner tone light	+\$0
<b>LT</b>	light tone	+\$0
<b>LU</b>	soft white	+\$0
<b>SG</b>	slate grey	+\$0
<b>WL</b>	sandstone	+\$0
<b>WN</b>	warm grey neutral	+\$0

Step 9. Grommet Finish		
<i>For 30" diameter (07) or 36" diameter (08) with high-pressure laminate top with vinyl edge (L), veneer top with vinyl edge (C), or veneer top with veneer edge (W), or thin profile HPL top with black edge (M), or back-painted glass top (G) with single center cutout (CC)</i>		
<b>PA</b>	polished aluminum	+\$0

# Eames® Conference Table, Round

continued

Eames® Tables

For 30" diameter (07) or 36" diameter (08) with solid wood top (SW) with single center cutout (CC)

<b>NF</b>	no finish <input type="checkbox"/> A	+\$0
-----------	--------------------------------------	------

For 42" diameter (22), 48" diameter (23), 54" diameter (24), 60" diameter (25), 66" diameter (26), 72" diameter (27), 84" diameter (29), or 96" diameter (31) with high-pressure laminate top with vinyl edge (L), or veneer top with vinyl edge (C), or veneer top with veneer edge (W), or thin profile HPL top with black edge (M), or back-painted glass top (G) with four cutouts (C4), or single center cutout (CC)

<b>91</b>	white	+\$0
<b>BK</b>	black	+\$0
<b>PA</b>	polished aluminum	+\$0

For 42" diameter (22) with solid wood top (SW) with single center cutout (CC)

<b>91</b>	white <input type="checkbox"/> A	+\$0
<b>BK</b>	black <input type="checkbox"/> A	+\$0
<b>PA</b>	polished aluminum <input type="checkbox"/> A	+\$0

## Step 10. Column Finish

<b>91</b>	white	+\$0
<b>BK</b>	black	+\$0
<b>BU</b>	black umber	+\$0
<b>CL</b>	cool grey neutral	+\$0
<b>CN</b>	metallic champagne	+\$0
<b>EH</b>	metallic bronze	+\$0
<b>G2</b>	graphite satin	+\$0
<b>HF</b>	inner tone light	+\$0
<b>LT</b>	light tone	+\$0
<b>LU</b>	soft white	+\$0
<b>MS</b>	metallic silver	+\$0
<b>MT</b>	medium tone	+\$0
<b>SG</b>	slate grey	+\$0
<b>WN</b>	warm grey neutral	+\$0

## Step 11. Base Finish

<b>91</b>	white	+\$0
<b>BK</b>	black	+\$0
<b>BU</b>	black umber	+\$0
<b>CL</b>	cool grey neutral	+\$0
<b>CN</b>	metallic champagne	+\$0
<b>EH</b>	metallic bronze	+\$0
<b>G2</b>	graphite satin	+\$0
<b>HF</b>	inner tone light	+\$0
<b>LT</b>	light tone	+\$0
<b>LU</b>	soft white	+\$0
<b>MS</b>	metallic silver	+\$0
<b>MT</b>	medium tone	+\$0
<b>PA</b>	polished aluminum	+\$0
<b>SG</b>	slate grey	+\$0
<b>WN</b>	warm grey neutral	+\$0

## Step 12. Casters/Glides

For 30" diameter (07), 36" diameter (08), 42" diameter (22), 48" diameter (23), or 54" diameter (24) with high-pressure laminate top with vinyl edge (L), or veneer top with vinyl edge (C), or veneer top with veneer edge (W), or thin profile HPL top with black edge (M), or solid wood top (SW)

<b>G</b>	glides	+\$0
<b>C</b>	casters	+\$80

For 30" diameter (07), 36" diameter (08), 42" diameter (22), 48" diameter (23), 54" diameter (24), 60" diameter (25), 66" diameter (26), 72" diameter (27), 84" diameter (29), or 96" diameter (31) with high-pressure laminate top with vinyl edge (L), or veneer top with vinyl edge (C), or veneer top with veneer edge (W), or back-painted glass top (G)

<b>G</b>	glides	+\$0
----------	--------	------

Eames® Indoor/Outdoor Table, ET5C.  
Round Herman Miller x HAY



**Product Information**

**Description**

This outdoor table has a glass top and comes with adjustable glides. Ships knocked down with assembly required. Top and base components ship in separate packages.

**Dimensions**

**Specification Information**

**Step 1.**

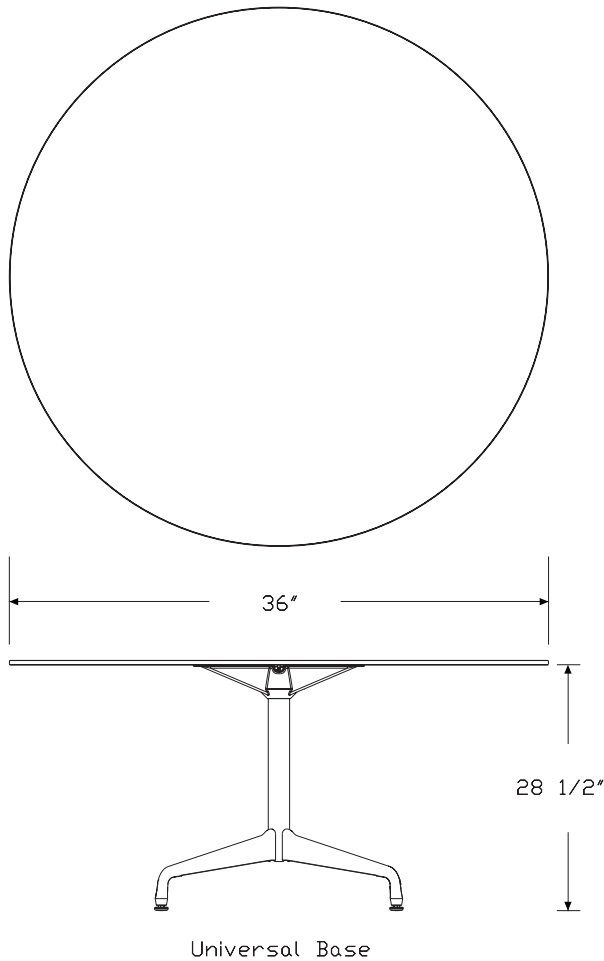
**ET5C.** [A] \$4975

**Step 2. Color Finish**

**RND** iron red [A] +\$0

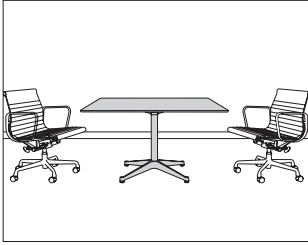
**TFE** toffee [A] +\$0

Eames® Tables



Eames® Conference Table,  
Square

ET104  
ET105  
ET106  
ET148



Eames® Tables

**Product Information**

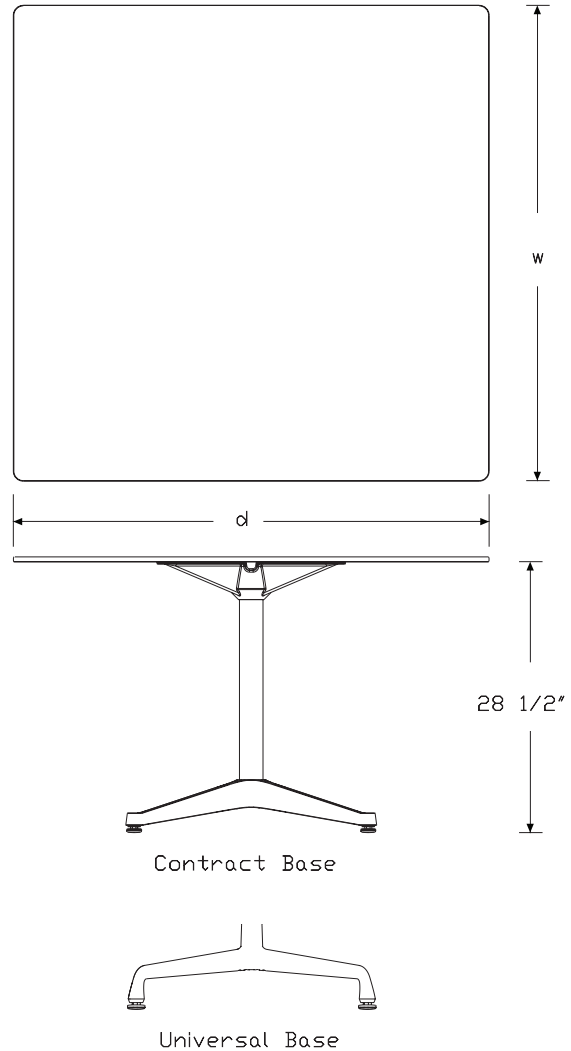
**Description**

This table has a laminate or veneer top with vinyl edge, a veneer top and edge, a thin-profile HPL top with black edge, a back-painted glass top with modified bullnose edge, or a solid wood top. Table may be specified with cutouts to accommodate simple power options (specified separately). Each table has adjustable glides or casters. Shipped knocked down.

**Notes**

Tables have a 1-piece top and single column base.  
 Laminate tops are  $\frac{7}{8}$ " thick.  
 Veneer tops are  $\frac{3}{4}$ " thick.  
 Thin profile HPL tops are  $\frac{1}{2}$ " thick.  
 Glass tops are back-painted, with a satin etch finish to reduce the appearance of fingerprints. Tops are  $\frac{1}{2}$ " thick.  
 30" and 36" tables may only accommodate USB access. Single center cutout (CC) grommet option must be specified. Grommet option is a non-functional hole plug. For USB access, order round dual USB charging unit (ET990.) separately.  
 42" and 48" tables may accommodate power. Single center cutout (CC) grommet option must be specified. Grommet provides simple pass-through with wire management features and a hinged lid. For power access, order round power module (ET991.) separately.  
 Santos palisander veneer is celebrated for its unique grain and color variations. Similar products ordered in multiples or dissimilar products ordered separately should be expected to have variation in both grain and color characteristics; no two products will look exactly alike.

**Dimensions**



# Eames® Conference Table, Square *continued*

## Specification Information

### Step 1.

**ET**

### Step 2. Height

**1** 28½" high

### Step 3. Depth/Width

**04** 30" deep x 30" wide  
**05** 36" deep x 36" wide  
**06** 42" deep x 42" wide  
**48** 48" deep x 48" wide

### Step 4. Base

*For 30" deep x 30" wide (04) or 36" deep x 36" wide (05)*

**C** contract base  
**U** universal base

*For 42" deep x 42" wide (06) or 48" deep x 48" wide (48)*

**C** contract base

### Step 5. Surface Material

*For 30" deep x 30" wide (04), 36" deep x 36" wide (05), or 42" deep x 42" wide (06)*

**L** high-pressure laminate top with vinyl edge  
**C** veneer top with vinyl edge  
**W** veneer top with veneer edge  
**M** thin profile HPL top with black edge  
**G** back-painted glass top  
**SW** solid wood top A

*For 48" deep x 48" wide (48)*

**L** high-pressure laminate top with vinyl edge A  
**C** veneer top with vinyl edge A  
**W** veneer top with veneer edge A  
**M** thin profile HPL top with black edge A  
**G** back-painted glass top A

### Step 6. Grommets

**NG** no grommet  
**CC** single center cutout

## Prices for Steps 1-6.

			NG	CC
<b>ET104</b>	<b>C</b>	<b>L</b>	\$1246	1311
		<b>C</b>	\$1463	1527
		<b>W</b>	\$1650	1714
		<b>M</b>	\$2273	2386
		<b>G</b>	\$4970	5578
		<b>SW</b>	\$4371	5029
	<b>U</b>	<b>L</b>	\$1246	1311
		<b>C</b>	\$1463	1527
		<b>W</b>	\$1650	1714
		<b>M</b>	\$2273	2386
		<b>G</b>	\$4970	5578
		<b>SW</b>	\$4371	5029

			NG	CC
<b>ET105</b>	<b>C</b>	<b>L</b>	\$1447	1515
		<b>C</b>	\$1678	1745
		<b>W</b>	\$1938	2003
		<b>M</b>	\$2965	3081
		<b>G</b>	\$6444	7037
		<b>SW</b>	\$6024	6682
	<b>U</b>	<b>L</b>	\$1447	1515
		<b>C</b>	\$1678	1745
		<b>W</b>	\$1938	2003
		<b>M</b>	\$2965	3081
		<b>G</b>	\$6444	7037
		<b>SW</b>	\$6024	6682

			NG	CC
<b>ET106</b>	<b>C</b>	<b>L</b>	\$1838	2170
		<b>C</b>	\$2113	2444
		<b>W</b>	\$2372	2704
		<b>M</b>	\$4683	5016
		<b>G</b>	\$8350	9129
		<b>SW</b>	\$7091	7750

			NG	CC
<b>ET148</b>	<b>C</b>	<b>L</b>	\$2024	2359
		<b>C</b>	\$2315	2648
		<b>W</b>	\$2561	2892
		<b>M</b>	\$4797	5132
		<b>G</b>	\$10330	11121

Eames® Conference Table,  
Square *continued*

Eames® Tables

Step 7.

Top Finish: Finish

*For back-painted glass top (G)*

<b>8Q</b>	folkstone grey	+\$0
<b>91</b>	white	+\$0
<b>BK</b>	black	+\$0
<b>WN</b>	warm grey neutral	+\$0

Top Finish: Finish

*For thin profile HPL top with black edge (M)*

<b>91</b>	white	+\$0
<b>G1</b>	graphite	+\$0
<b>BK</b>	black	+\$0

Top Finish: Solid-Color Laminate

*For high-pressure laminate top with vinyl edge (L)*

<b>8Q</b>	folkstone grey	+\$0
<b>91</b>	white	+\$0
<b>98</b>	studio white	+\$0
<b>BKM</b>	black matte	+\$0
<b>CL</b>	cool grey neutral	+\$0
<b>HF</b>	inner tone light	+\$0
<b>LT</b>	light tone	+\$0
<b>LU</b>	soft white	+\$0
<b>WL</b>	sandstone	+\$0
<b>WN</b>	warm grey neutral	+\$0

Top Finish

*For 30" deep x 30" wide (04) with solid wood top (SW)*

<b>OU</b>	walnut <span style="border: 1px solid black; padding: 0 2px;">A</span>	+\$335
<b>WHN</b>	natural white oak <span style="border: 1px solid black; padding: 0 2px;">A</span>	+\$0

Top Finish

*For 36" deep x 36" wide (05) with solid wood top (SW)*

<b>OU</b>	walnut <span style="border: 1px solid black; padding: 0 2px;">A</span>	+\$480
<b>WHN</b>	natural white oak <span style="border: 1px solid black; padding: 0 2px;">A</span>	+\$0

Top Finish

*For 42" deep x 42" wide (06) with solid wood top (SW)*

<b>OU</b>	walnut <span style="border: 1px solid black; padding: 0 2px;">A</span>	+\$580
<b>WHN</b>	natural white oak <span style="border: 1px solid black; padding: 0 2px;">A</span>	+\$0

Top Finish: Wood Veneer

*For 30" deep x 30" wide (04) or 36" deep x 36" wide (05) with veneer top with vinyl edge (C)*

<b>2U</b>	light brown walnut	+\$105
<b>40</b>	dark brown walnut	+\$105
<b>9N</b>	santos palisander	+\$380
<b>A2</b>	white ash	+\$105
<b>CHD</b>	noble cherry	+\$105
<b>EN</b>	ebony	+\$105
<b>OU</b>	walnut	+\$105
<b>UL</b>	natural maple	+\$105
<b>WHN</b>	natural white oak	+\$0

Top Finish: Wood Veneer

*For 42" deep x 42" wide (06) with veneer top with vinyl edge (C)*

<b>2U</b>	light brown walnut	+\$130
<b>40</b>	dark brown walnut	+\$130
<b>9N</b>	santos palisander	+\$720
<b>A2</b>	white ash	+\$130
<b>CHD</b>	noble cherry	+\$130
<b>EN</b>	ebony	+\$130
<b>OU</b>	walnut	+\$130
<b>UL</b>	natural maple	+\$130
<b>WHN</b>	natural white oak	+\$0

Top Finish: Wood Veneer

*For 48" deep x 48" wide (48) with veneer top with vinyl edge (C)*

<b>2U</b>	light brown walnut	+\$175
<b>40</b>	dark brown walnut	+\$175
<b>9N</b>	santos palisander	+\$839
<b>A2</b>	white ash	+\$175
<b>CHD</b>	noble cherry	+\$175
<b>EN</b>	ebony	+\$175
<b>OU</b>	walnut	+\$175
<b>UL</b>	natural maple	+\$175
<b>WHN</b>	natural white oak	+\$0

Eames® Conference Table,  
Square *continued*

Top/Edge Finish		
<i>For 30" deep x 30" wide (04) or 36" deep x 36" wide (05) with veneer top with veneer edge (W)</i>		
<b>2U</b>	light brown walnut	+\$105
<b>40</b>	dark brown walnut	+\$105
<b>9N</b>	santos palisander	+\$380
<b>A2</b>	white ash	+\$105
<b>CHD</b>	noble cherry	+\$105
<b>EN</b>	ebony	+\$105
<b>OU</b>	walnut	+\$105
<b>UL</b>	natural maple	+\$105
<b>WHN</b>	natural white oak	+\$0

Top/Edge Finish		
<i>For 42" deep x 42" wide (06) with veneer top with veneer edge (W)</i>		
<b>2U</b>	light brown walnut	+\$130
<b>40</b>	dark brown walnut	+\$130
<b>9N</b>	santos palisander	+\$720
<b>A2</b>	white ash	+\$130
<b>CHD</b>	noble cherry	+\$130
<b>EN</b>	ebony	+\$130
<b>OU</b>	walnut	+\$130
<b>UL</b>	natural maple	+\$130
<b>WHN</b>	natural white oak	+\$0

Top/Edge Finish		
<i>For 48" deep x 48" wide (48) with veneer top with veneer edge (W)</i>		
<b>2U</b>	light brown walnut	+\$175
<b>40</b>	dark brown walnut	+\$175
<b>9N</b>	santos palisander	+\$839
<b>A2</b>	white ash	+\$175
<b>CHD</b>	noble cherry	+\$175
<b>EN</b>	ebony	+\$175
<b>OU</b>	walnut	+\$175
<b>UL</b>	natural maple	+\$175
<b>WHN</b>	natural white oak	+\$0

Step 8. Edge Finish		
<i>For high-pressure laminate top with vinyl edge (L) or veneer top with vinyl edge (C)</i>		
<b>8Q</b>	folkstone grey	+\$0
<b>91</b>	white	+\$0
<b>98</b>	studio white	+\$0
<b>BK</b>	black	+\$0
<b>BU</b>	black umber	+\$0
<b>CL</b>	cool grey neutral	+\$0
<b>HF</b>	inner tone light	+\$0
<b>LT</b>	light tone	+\$0
<b>LU</b>	soft white	+\$0
<b>SG</b>	slate grey	+\$0
<b>WL</b>	sandstone	+\$0
<b>WN</b>	warm grey neutral	+\$0

Step 9. Grommet Finish		
<i>For 30" deep x 30" wide (04) or 36" deep x 36" wide (05) with high-pressure laminate top with vinyl edge (L), veneer top with vinyl edge (C), or veneer top with veneer edge (W), or thin profile HPL top with black edge (M), or back-painted glass top (G) with single center cutout (CC)</i>		
<b>PA</b>	polished aluminum	+\$0

<i>For 30" deep x 30" wide (04) or 36" deep x 36" wide (05) with solid wood top (SW) with single center cutout (CC)</i>		
<b>NF</b>	no finish <span style="border: 1px solid black; padding: 0 2px;">A</span>	+\$0

<i>For 42" deep x 42" wide (06) or 48" deep x 48" wide (48) with high-pressure laminate top with vinyl edge (L), veneer top with vinyl edge (C), or veneer top with veneer edge (W), or thin profile HPL top with black edge (M), or back-painted glass top (G) with single center cutout (CC)</i>		
<b>91</b>	white	+\$0
<b>BK</b>	black	+\$0
<b>PA</b>	polished aluminum	+\$0

<i>For 42" deep x 42" wide (06) with solid wood top (SW) with single center cutout (CC)</i>		
<b>91</b>	white <span style="border: 1px solid black; padding: 0 2px;">A</span>	+\$0
<b>BK</b>	black <span style="border: 1px solid black; padding: 0 2px;">A</span>	+\$0
<b>PA</b>	polished aluminum <span style="border: 1px solid black; padding: 0 2px;">A</span>	+\$0

# Eames® Conference Table, Square *continued*

Eames® Tables

Step 10. Column Finish		
<b>91</b>	white	+\$0
<b>BK</b>	black	+\$0
<b>BU</b>	black umber	+\$0
<b>CL</b>	cool grey neutral	+\$0
<b>CN</b>	metallic champagne	+\$0
<b>EH</b>	metallic bronze	+\$0
<b>G2</b>	graphite satin	+\$0
<b>HF</b>	inner tone light	+\$0
<b>LT</b>	light tone	+\$0
<b>LU</b>	soft white	+\$0
<b>MS</b>	metallic silver	+\$0
<b>MT</b>	medium tone	+\$0
<b>SG</b>	slate grey	+\$0
<b>WN</b>	warm grey neutral	+\$0

Step 11. Base Finish		
<b>91</b>	white	+\$0
<b>BK</b>	black	+\$0
<b>BU</b>	black umber	+\$0
<b>CL</b>	cool grey neutral	+\$0
<b>CN</b>	metallic champagne	+\$0
<b>EH</b>	metallic bronze	+\$0
<b>G2</b>	graphite satin	+\$0
<b>HF</b>	inner tone light	+\$0
<b>LT</b>	light tone	+\$0
<b>LU</b>	soft white	+\$0
<b>MS</b>	metallic silver	+\$0
<b>MT</b>	medium tone	+\$0
<b>PA</b>	polished aluminum	+\$0
<b>SG</b>	slate grey	+\$0
<b>WN</b>	warm grey neutral	+\$0

Step 12. Casters/Glides		
<i>For high-pressure laminate top with vinyl edge (L), veneer top with vinyl edge (C), veneer top with veneer edge (W), thin profile HPL top with black edge (M), or solid wood top (SW)</i>		
<b>G</b>	glides	+\$0
<b>C</b>	casters	+\$80
<i>For back-painted glass top (G)</i>		
<b>G</b>	glides	+\$0



# Eames® Conference Table, Rectangular



ET142	ET155	ET168	ET178
ET143	ET156	ET170	ET187
ET144	ET157	ET171	ET188
ET145	ET158	ET172	ET189
ET147	ET160	ET173	
ET150	ET161	ET174	
ET151	ET162	ET175	
ET152	ET164	ET176	
ET154	ET166	ET177	

## Product Information

### Description

This segmented base table has a laminate or veneer top with vinyl edge, a veneer top and edge, a thin-profile HPL top with black edge, a back-painted glass top with modified bullnose edge, or a solid wood top. Table may be specified with cutouts to accommodate simple power options (specified separately). Each table has adjustable glides or casters. Shipped knocked down.

### Notes

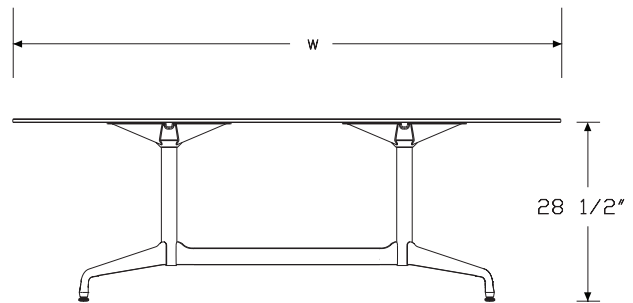
60"-wide to 96"-wide tables have a 1-piece top and 2-column segmented base. 60"-deep tables have a dual run of columns. For veneer tables, 108"-wide to 192"-wide tops are shipped in 2 equal pieces; 216"-wide and 264"-wide tops are shipped in 3 equal pieces. For laminate tables, 108"-wide tables have a 1-piece top; 120"-wide to 216"-wide tops are shipped in 2 equal pieces; 240"-wide and 264"-wide tops are shipped in 3 equal pieces. Laminate and veneer tops are 1 1/4" thick. Thin profile HPL tops are 1/2" thick. Glass tops are back-painted, with a satin etch finish to reduce the appearance of fingerprints. Tops up to 42"x78" are 1/2" thick; tops 42"x84" to 60"x120" are 3/8" thick with a Formcoat® substructure. Tables may be specified with cutouts for power in various configurations. Round cutouts align with columns, and oval cutouts are centered between columns.

Order the following compatible power components separately:

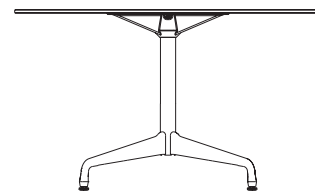
- Round power module (ET991.)
- Oval power module (ET992.)
- Pair of oval power modules (ET993.)
- Oval power module & undermount power (ET994.)
- Pair of oval power modules & undermount power (ET995.)

Santos palisander veneer is celebrated for its unique grain and color variations. Similar products ordered in multiples or dissimilar products ordered separately should be expected to have variation in both grain and color characteristics; no two products will look exactly alike.

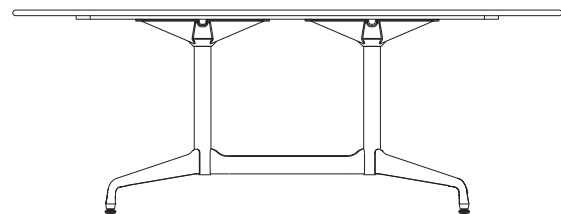
## Dimensions



Segmented Base, Width View



30"-54", Depth View



60", Depth View

# Eames® Conference Table, Rectangular *continued*

Specification Information	
Step 1.	
<b>ET</b>	
Step 2. Height	
<b>1</b>	28½" high
Step 3. Depth/Width	
<b>87R</b>	30" deep x 60" wide
<b>88R</b>	30" deep x 72" wide
<b>42R</b>	36" deep x 60" wide
<b>43R</b>	36" deep x 72" wide
<b>44R</b>	36" deep x 84" wide
<b>89R</b>	36" deep x 96" wide
<b>50R</b>	42" deep x 66" wide
<b>51R</b>	42" deep x 72" wide
<b>52R</b>	42" deep x 78" wide
<b>45R</b>	42" deep x 84" wide
<b>54R</b>	48" deep x 84" wide
<b>47R</b>	48" deep x 96" wide
<b>55R</b>	54" deep x 90" wide
<b>56R</b>	54" deep x 96" wide
<b>57R</b>	54" deep x 108" wide
<b>58R</b>	54" deep x 120" wide
<b>60R</b>	54" deep x 144" wide
<b>61R</b>	54" deep x 156" wide
<b>62R</b>	54" deep x 168" wide
<b>64R</b>	54" deep x 192" wide
<b>66R</b>	54" deep x 216" wide
<b>68R</b>	54" deep x 240" wide
<b>70R</b>	54" deep x 264" wide
<b>71R</b>	60" deep x 120" wide
<b>72R</b>	60" deep x 144" wide
<b>73R</b>	60" deep x 156" wide
<b>74R</b>	60" deep x 168" wide
<b>75R</b>	60" deep x 192" wide
<b>76R</b>	60" deep x 216" wide
<b>77R</b>	60" deep x 240" wide
<b>78R</b>	60" deep x 264" wide
Step 4. Base	
<b>S</b>	segmented base

Step 5. Surface Material	
<i>For 30" deep x 60" wide (87R), 30" deep x 72" wide (88R), 36" deep x 60" wide (42R), or 36" deep x 72" wide (43R)</i>	
<b>L</b>	high-pressure laminate top with vinyl edge
<b>C</b>	veneer top with vinyl edge
<b>W</b>	veneer top with veneer edge
<b>M</b>	thin profile HPL top with black edge
<b>G</b>	back-painted glass top
<b>SW</b>	solid wood top <span style="border: 1px solid black; padding: 0 2px;">A</span>
<i>For 36" deep x 84" wide (44R), 36" deep x 96" wide (89R), 42" deep x 66" wide (50R), 42" deep x 72" wide (51R), 42" deep x 78" wide (52R), 42" deep x 84" wide (45R), 48" deep x 84" wide (54R), or 48" deep x 96" wide (47R)</i>	
<b>L</b>	high-pressure laminate top with vinyl edge <span style="border: 1px solid black; padding: 0 2px;">A</span>
<b>C</b>	veneer top with vinyl edge <span style="border: 1px solid black; padding: 0 2px;">A</span>
<b>W</b>	veneer top with veneer edge <span style="border: 1px solid black; padding: 0 2px;">A</span>
<b>M</b>	thin profile HPL top with black edge <span style="border: 1px solid black; padding: 0 2px;">A</span>
<b>G</b>	back-painted glass top <span style="border: 1px solid black; padding: 0 2px;">A</span>
<i>For 54" deep x 90" wide (55R), 54" deep x 96" wide (56R), 54" deep x 108" wide (57R), 54" deep x 120" wide (58R), or 60" deep x 120" wide (71R)</i>	
<b>L</b>	high-pressure laminate top with vinyl edge
<b>C</b>	veneer top with vinyl edge
<b>W</b>	veneer top with veneer edge
<b>G</b>	back-painted glass top
<i>For 54" deep x 144" wide (60R), 54" deep x 156" wide (61R), 54" deep x 168" wide (62R), 54" deep x 192" wide (64R), 54" deep x 216" wide (66R), 54" deep x 240" wide (68R), 54" deep x 264" wide (70R), 60" deep x 144" wide (72R), 60" deep x 156" wide (73R), 60" deep x 168" wide (74R), 60" deep x 192" wide (75R), 60" deep x 216" wide (76R), 60" deep x 240" wide (77R), or 60" deep x 264" wide (78R)</i>	
<b>L</b>	high-pressure laminate top with vinyl edge
<b>C</b>	veneer top with vinyl edge
<b>W</b>	veneer top with veneer edge

Eames® Conference Table,  
Rectangular *continued*

Step 6. Grommets

For 30" deep x 60" wide (87R), 30" deep x 72" wide (88R), 36" deep x 60" wide (42R), 36" deep x 72" wide (43R), 36" deep x 84" wide (44R), 36" deep x 96" wide (89R), 42" deep x 66" wide (50R), 42" deep x 72" wide (51R), 42" deep x 78" wide (52R), 42" deep x 84" wide (45R), 48" deep x 84" wide (54R), 48" deep x 96" wide (47R), 54" deep x 90" wide (55R), 54" deep x 96" wide (56R), or 54" deep x 108" wide (57R)

- NG** no grommet
- C2** 2 round cutouts, over columns
- CR** single centered oval cutout
- CA** 2 round cutouts and center oval cutout

For 54" deep x 120" wide (58R), 54" deep x 144" wide (60R), 54" deep x 156" wide (61R), 54" deep x 168" wide (62R), 60" deep x 120" wide (71R), 60" deep x 144" wide (72R), 60" deep x 156" wide (73R), or 60" deep x 168" wide (74R)

- NG** no grommet
- C2** 2 round cutouts, over columns
- CM** 2 oval cutouts
- CB** 2 round cutouts and 2 oval cutouts

For 54" deep x 192" wide (64R) or 60" deep x 192" wide (75R)

- NG** no grommet
- C2** 2 round cutouts, over columns
- CP** 3 oval cutouts
- CE** 2 round cutouts and 3 oval cutouts

For 54" deep x 216" wide (66R), 54" deep x 240" wide (68R), 54" deep x 264" wide (70R), 60" deep x 216" wide (76R), 60" deep x 240" wide (77R), or 60" deep x 264" wide (78R)

- NG** no grommet
- C3** 3 round cutouts, over columns
- CN** 4 oval cutouts
- CD** 3 round cutouts and 4 oval cutouts

Prices for Steps 1-6.

		NG	C2	C3	CM	CN	CP
<b>ET187R S</b>	<b>L</b>	\$2405	3068	—	—	—	—
	<b>C</b>	\$2949	3614	—	—	—	—
	<b>W</b>	\$3181	3843	—	—	—	—
	<b>M</b>	\$4596	5260	—	—	—	—
	<b>G</b>	\$9609	10736	—	—	—	—
	<b>SW</b>	\$6722	8041	—	—	—	—

		CR	CA	CB	CD	CE
<b>ET187R S</b>	<b>L</b>	\$2736	3399	—	—	—
	<b>C</b>	\$3282	3945	—	—	—
	<b>W</b>	\$3513	4179	—	—	—
	<b>M</b>	\$4927	5593	—	—	—
	<b>G</b>	\$10792	11931	—	—	—
	<b>SW</b>	\$7381	8109	—	—	—

		NG	C2	C3	CM	CN	CP
<b>ET188R S</b>	<b>L</b>	\$2578	3243	—	—	—	—
	<b>C</b>	\$3209	3873	—	—	—	—
	<b>W</b>	\$3556	4221	—	—	—	—
	<b>M</b>	\$4626	5289	—	—	—	—
	<b>G</b>	\$10836	11976	—	—	—	—
	<b>SW</b>	\$7249	8699	—	—	—	—

		CR	CA	CB	CD	CE
<b>ET188R S</b>	<b>L</b>	\$2909	3573	—	—	—
	<b>C</b>	\$3542	4206	—	—	—
	<b>W</b>	\$3889	4553	—	—	—
	<b>M</b>	\$4956	5623	—	—	—
	<b>G</b>	\$12018	13160	—	—	—
	<b>SW</b>	\$7908	8636	—	—	—

		NG	C2	C3	CM	CN	CP
<b>ET142R S</b>	<b>L</b>	\$2715	3382	—	—	—	—
	<b>C</b>	\$3282	3945	—	—	—	—
	<b>W</b>	\$3564	4228	—	—	—	—
	<b>M</b>	\$5578	6241	—	—	—	—
	<b>G</b>	\$10836	11976	—	—	—	—
	<b>SW</b>	\$8271	9589	—	—	—	—

		CR	CA	CB	CD	CE
<b>ET142R S</b>	<b>L</b>	\$3050	3715	—	—	—
	<b>C</b>	\$3614	4279	—	—	—
	<b>W</b>	\$3895	4558	—	—	—
	<b>M</b>	\$5912	6575	—	—	—
	<b>G</b>	\$12018	13160	—	—	—
	<b>SW</b>	\$8930	9658	—	—	—

		NG	C2	C3	CM	CN	CP
<b>ET143R S</b>	<b>L</b>	\$2785	3450	—	—	—	—
	<b>C</b>	\$3383	4046	—	—	—	—
	<b>W</b>	\$3716	4380	—	—	—	—
	<b>M</b>	\$5607	6270	—	—	—	—
	<b>G</b>	\$12307	13434	—	—	—	—
	<b>SW</b>	\$8831	10148	—	—	—	—

Eames® Conference Table,  
 Rectangular *continued*

Eames® Tables

		CR	CA	CB	CD	CE
ET143R S	L	\$3117	3783	—	—	—
	C	\$3716	4380	—	—	—
	W	\$4046	4713	—	—	—
	M	\$5941	6604	—	—	—
	G	\$13490	14635	—	—	—
	SW	\$9490	10217	—	—	—

		NG	C2	C3	CM	CN	CP
ET144R S	L	\$2912	3576	—	—	—	—
	C	\$3643	4308	—	—	—	—
	W	\$4063	4727	—	—	—	—
	M	\$5651	6315	—	—	—	—
	G	\$13766	14908	—	—	—	—

		CR	CA	CB	CD	CE
ET144R S	L	\$3246	3909	—	—	—
	C	\$3975	4639	—	—	—
	W	\$4393	5057	—	—	—
	M	\$5982	6646	—	—	—
	G	\$14963	16091	—	—	—

		NG	C2	C3	CM	CN	CP
ET189R S	L	\$3118	3784	—	—	—	—
	C	\$3873	4538	—	—	—	—
	W	\$4179	4841	—	—	—	—
	M	\$5679	6344	—	—	—	—
	G	\$15337	16483	—	—	—	—

		CR	CA	CB	CD	CE
ET189R S	L	\$3451	4115	—	—	—
	C	\$4206	4870	—	—	—
	W	\$4509	5173	—	—	—
	M	\$6011	6676	—	—	—
	G	\$16540	17666	—	—	—

		NG	C2	C3	CM	CN	CP
ET150R S	L	\$3252	3916	—	—	—	—
	C	\$3774	4438	—	—	—	—
	W	\$4248	4915	—	—	—	—
	M	\$5623	6286	—	—	—	—
	G	\$12885	14028	—	—	—	—

		CR	CA	CB	CD	CE
ET150R S	L	\$3584	4247	—	—	—
	C	\$4104	4767	—	—	—
	W	\$4582	5245	—	—	—
	M	\$5953	6617	—	—	—
	G	\$14085	15212	—	—	—

		NG	C2	C3	CM	CN	CP
ET151R S	L	\$3349	4013	—	—	—	—
	C	\$3825	4492	—	—	—	—
	W	\$4289	4953	—	—	—	—
	M	\$5635	6299	—	—	—	—
	G	\$13766	14908	—	—	—	—

		CR	CA	CB	CD	CE
ET151R S	L	\$3684	4345	—	—	—
	C	\$4157	4821	—	—	—
	W	\$4621	5284	—	—	—
	M	\$5968	6633	—	—	—
	G	\$14963	16091	—	—	—

		NG	C2	C3	CM	CN	CP
ET152R S	L	\$3420	4087	—	—	—	—
	C	\$4003	4666	—	—	—	—
	W	\$4436	5101	—	—	—	—
	M	\$9073	9737	—	—	—	—
	G	\$14664	15788	—	—	—	—

		CR	CA	CB	CD	CE
ET152R S	L	\$3753	4416	—	—	—
	C	\$4335	5000	—	—	—
	W	\$4766	5431	—	—	—
	M	\$9405	10069	—	—	—
	G	\$15847	16986	—	—	—

		NG	C2	C3	CM	CN	CP
ET145R S	L	\$3462	4126	—	—	—	—
	C	\$4043	4711	—	—	—	—
	W	\$4487	5152	—	—	—	—
	M	\$9073	9737	—	—	—	—
	G	\$16032	17939	—	—	—	—

Eames® Conference Table,  
 Rectangular *continued*

		CR	CA	CB	CD	CE
ET145R S	L	\$3793	4459	—	—	—
	C	\$4377	5041	—	—	—
	W	\$4819	5482	—	—	—
	M	\$9405	10069	—	—	—
	G	\$17737	19657	—	—	—

		NG	C2	C3	CM	CN	CP
ET154R S	L	\$3895	4558	—	—	—	—
	C	\$4495	5158	—	—	—	—
	W	\$4926	5592	—	—	—	—
	M	\$9104	9766	—	—	—	—
	G	\$18040	19962	—	—	—	—

		CR	CA	CB	CD	CE
ET154R S	L	\$4228	4892	—	—	—
	C	\$4824	5489	—	—	—
	W	\$5259	5922	—	—	—
	M	\$9433	10099	—	—	—
	G	\$19758	21664	—	—	—

		NG	C2	C3	CM	CN	CP
ET147R S	L	\$3978	4644	—	—	—	—
	C	\$4586	5250	—	—	—	—
	W	\$5093	5757	—	—	—	—
	M	\$9145	9810	—	—	—	—
	G	\$20351	22300	—	—	—	—

		CR	CA	CB	CD	CE
ET147R S	L	\$4313	4975	—	—	—
	C	\$4919	5582	—	—	—
	W	\$5423	6087	—	—	—
	M	\$9476	10142	—	—	—
	G	\$22069	23976	—	—	—

		NG	C2	C3	CM	CN	CP
ET155R S	L	\$4719	5382	—	—	—	—
	C	\$5359	6024	—	—	—	—
	W	\$5937	6601	—	—	—	—
	G	\$21346	23269	—	—	—	—

		CR	CA	CB	CD	CE
ET155R S	L	\$5051	5716	—	—	—
	C	\$5690	6356	—	—	—
	W	\$6268	6932	—	—	—
	G	\$23168	24987	—	—	—

		NG	C2	C3	CM	CN	CP
ET156R S	L	\$4780	5443	—	—	—	—
	C	\$5533	6196	—	—	—	—
	W	\$6182	6847	—	—	—	—
	G	\$22647	24568	—	—	—	—

		CR	CA	CB	CD	CE
ET156R S	L	\$5109	5774	—	—	—
	C	\$5863	6529	—	—	—
	W	\$6513	7179	—	—	—
	G	\$24366	26286	—	—	—

		NG	C2	C3	CM	CN	CP
ET157R S	L	\$6218	6881	—	—	—	—
	C	\$6926	7590	—	—	—	—
	W	\$7684	8349	—	—	—	—
	G	\$25246	27168	—	—	—	—

		CR	CA	CB	CD	CE
ET157R S	L	\$6547	7212	—	—	—
	C	\$7261	7924	—	—	—
	W	\$8019	8682	—	—	—
	G	\$26967	28885	—	—	—

		NG	C2	C3	CM	CN	CP
ET158R S	L	\$6913	7577	—	7577	—	—
	C	\$7766	8429	—	8429	—	—
	W	\$8632	9296	—	9296	—	—
	G	\$28743	30647	—	30720	—	—

		CR	CA	CB	CD	CE
ET158R S	L	—	—	\$8242	—	—
	C	—	—	\$9092	—	—
	W	—	—	\$9961	—	—
	G	—	—	\$32641	—	—

		NG	C2	C3	CM	CN	CP
ET160R S	L	\$7490	8154	—	8154	—	—
	C	\$8366	9032	—	9032	—	—
	W	\$9377	10040	—	10040	—	—

		CR	CA	CB	CD	CE
ET160R S	L	—	—	\$8817	—	—
	C	—	—	\$9695	—	—
	W	—	—	\$10707	—	—

Eames® Conference Table,  
 Rectangular *continued*

Eames® Tables

		NG	C2	C3	CM	CN	CP
ET161R S	L	\$8139	8803	—	8803	—	—
	C	\$9050	9714	—	9714	—	—
	W	\$10169	10833	—	10833	—	—

		CR	CA	CB	CD	CE
ET161R S	L	—	—	\$9467	—	—
	C	—	—	-\$10378	—	—
	W	—	—	-\$11498	—	—

		NG	C2	C3	CM	CN	CP
ET162R S	L	\$8918	9581	—	9581	—	—
	C	\$9971	10636	—	10636	—	—
	W	\$11197	11864	—	11864	—	—

		CR	CA	CB	CD	CE
ET162R S	L	—	—	-\$10246	—	—
	C	—	—	-\$11300	—	—
	W	—	—	-\$12526	—	—

		NG	C2	C3	CM	CN	CP
ET164R S	L	\$9844	10508	—	—	—	10842
	C	\$11148	11813	—	—	—	12145
	W	\$12519	13186	—	—	—	13515

		CR	CA	CB	CD	CE
ET164R S	L	—	—	—	—	11506
	C	—	—	—	—	12811
	W	—	—	—	—	14179

		NG	C2	C3	CM	CN	CP
ET166R S	L	\$10844	—	11840	—	12173	—
	C	\$12193	—	13189	—	13520	—
	W	\$13709	—	14704	—	15038	—

		CR	CA	CB	CD	CE
ET166R S	L	—	—	—	—	-\$13168
	C	—	—	—	—	-\$14516
	W	—	—	—	—	-\$16032

		NG	C2	C3	CM	CN	CP
ET168R S	L	\$11961	—	12957	—	13290	—
	C	\$13365	—	14362	—	14693	—
	W	\$15027	—	16022	—	16356	—

		CR	CA	CB	CD	CE
ET168R S	L	—	—	—	-\$14286	—
	C	—	—	—	-\$15692	—
	W	—	—	—	-\$17351	—

		NG	C2	C3	CM	CN	CP
ET170R S	L	\$13050	—	14046	—	14377	—
	C	\$14713	—	15708	—	16042	—
	W	\$16518	—	17516	—	17846	—

		CR	CA	CB	CD	CE
ET170R S	L	—	—	—	-\$15373	—
	C	—	—	—	-\$17037	—
	W	—	—	—	-\$18843	—

		NG	C2	C3	CM	CN	CP
ET171R S	L	\$12856	13520	—	13520	—	—
	C	\$15743	16408	—	16408	—	—
	W	\$16754	17420	—	17420	—	—
	G	\$35283	37190	—	37261	—	—

		CR	CA	CB	CD	CE
ET171R S	L	—	—	-\$14186	—	—
	C	—	—	-\$17073	—	—
	W	—	—	-\$18084	—	—
	G	—	—	-\$39184	—	—

		NG	C2	C3	CM	CN	CP
ET172R S	L	\$13433	14097	—	14097	—	—
	C	\$16612	17275	—	17275	—	—
	W	\$17767	18432	—	18432	—	—

		CR	CA	CB	CD	CE
ET172R S	L	—	—	-\$14762	—	—
	C	—	—	-\$17939	—	—
	W	—	—	-\$19096	—	—

		NG	C2	C3	CM	CN	CP
ET173R S	L	\$13865	14533	—	14533	—	—
	C	\$17334	17997	—	17997	—	—
	W	\$18595	19261	—	19261	—	—

		CR	CA	CB	CD	CE
ET173R S	L	—	—	-\$15195	—	—
	C	—	—	-\$18662	—	—
	W	—	—	-\$19926	—	—

Eames® Conference Table,  
Rectangular *continued*

		NG	C2	C3	CM	CN	CP
ET174R S	L	\$14443	15108	—	15108	—	—
	C	\$18201	18864	—	18864	—	—
	W	\$19572	20235	—	20235	—	—

			CR	CA	CB	CD	CE
ET174R S	L		—	—\$15772	—	—	—
	C		—	—\$19528	—	—	—
	W		—	—\$20900	—	—	—

		NG	C2	C3	CM	CN	CP
ET175R S	L	\$17044	17708	—	—	—	18040
	C	\$24264	24929	—	—	—	25262
	W	\$25781	26447	—	—	—	26776

			CR	CA	CB	CD	CE
ET175R S	L		—	—	—	—	18706
	C		—	—	—	—	25928
	W		—	—	—	—	27443

		NG	C2	C3	CM	CN	CP
ET176R S	L	\$20654	—	21652	—	21983	—
	C	\$30187	—	31184	—	31514	—
	W	\$31848	—	32843	—	33176	—

			CR	CA	CB	CD	CE
ET176R S	L		—	—	—	—\$22980	—
	C		—	—	—	—\$32512	—
	W		—	—	—	—\$34172	—

		NG	C2	C3	CM	CN	CP
ET177R S	L	\$22532	—	23529	—	23860	—
	C	\$32209	—	33204	—	33537	—
	W	\$34013	—	35009	—	35342	—

			CR	CA	CB	CD	CE
ET177R S	L		—	—	—	—\$24857	—
	C		—	—	—	—\$34533	—
	W		—	—	—	—\$36339	—

		NG	C2	C3	CM	CN	CP
ET178R S	L	\$22965	—	23961	—	24294	—
	C	\$33506	—	34504	—	34835	—
	W	\$35457	—	36452	—	36786	—

			CR	CA	CB	CD	CE
ET178R S	L		—	—	—	—\$25290	—
	C		—	—	—	—\$35833	—
	W		—	—	—	—\$37783	—

Step 7.

Top Finish: Top Finish  
*For back-painted glass top (G)*

<b>8Q</b>	folkstone grey	+\$0
<b>91</b>	white	+\$0
<b>BK</b>	black	+\$0
<b>WN</b>	warm grey neutral	+\$0

Top Finish: Top Finish  
*For thin profile HPL top with black edge (M)*

<b>91</b>	white	+\$0
<b>G1</b>	graphite	+\$0
<b>BK</b>	black	+\$0

Top Finish: Solid-Color Laminate  
*For high-pressure laminate top with vinyl edge (L)*

<b>8Q</b>	folkstone grey	+\$0
<b>91</b>	white	+\$0
<b>98</b>	studio white	+\$0
<b>BKM</b>	black matte	+\$0
<b>CL</b>	cool grey neutral	+\$0
<b>HF</b>	inner tone light	+\$0
<b>LT</b>	light tone	+\$0
<b>LU</b>	soft white	+\$0
<b>WL</b>	sandstone	+\$0
<b>WN</b>	warm grey neutral	+\$0

Top Finish  
*For 30" deep x 60" wide (87R) with solid wood top (SW)*

<b>OU</b>	walnut <b>A</b>	+\$575
<b>WHN</b>	natural white oak <b>A</b>	+\$0

Top Finish  
*For 30" deep x 72" wide (88R) with solid wood top (SW)*

<b>OU</b>	walnut <b>A</b>	+\$675
<b>WHN</b>	natural white oak <b>A</b>	+\$0

Top Finish  
*For 36" deep x 60" wide (42R) with solid wood top (SW)*

<b>OU</b>	walnut <b>A</b>	+\$700
<b>WHN</b>	natural white oak <b>A</b>	+\$0

# Eames® Conference Table, Rectangular *continued*

Eames® Tables

Top Finish		
<i>For 36" deep x 72" wide (43R) with solid wood top (SW)</i>		
<b>OU</b>	walnut <span style="border: 1px solid black; padding: 0 2px;">A</span>	+\$815
<b>WHN</b>	natural white oak <span style="border: 1px solid black; padding: 0 2px;">A</span>	+\$0

Top Finish		
<i>For 30" deep x 60" wide (87R) with veneer top with vinyl edge (C)</i>		
<b>2U</b>	light brown walnut	+\$250
<b>40</b>	dark brown walnut	+\$250
<b>9N</b>	santos palisander	+\$950
<b>A2</b>	white ash	+\$250
<b>CHD</b>	noble cherry	+\$250
<b>EN</b>	ebony	+\$250
<b>OU</b>	walnut	+\$250
<b>UL</b>	natural maple	+\$250
<b>WHN</b>	natural white oak	+\$0

Top Finish		
<i>For 30" deep x 72" wide (88R) with veneer top with vinyl edge (C)</i>		
<b>2U</b>	light brown walnut	+\$265
<b>40</b>	dark brown walnut	+\$265
<b>9N</b>	santos palisander	+\$1009
<b>A2</b>	white ash	+\$265
<b>CHD</b>	noble cherry	+\$265
<b>EN</b>	ebony	+\$265
<b>OU</b>	walnut	+\$265
<b>UL</b>	natural maple	+\$265
<b>WHN</b>	natural white oak	+\$0

Top Finish		
<i>For 36" deep x 60" wide (42R) with veneer top with vinyl edge (C)</i>		
<b>2U</b>	light brown walnut	+\$265
<b>40</b>	dark brown walnut	+\$265
<b>9N</b>	santos palisander	+\$1009
<b>A2</b>	white ash	+\$265
<b>CHD</b>	noble cherry	+\$265
<b>EN</b>	ebony	+\$265
<b>OU</b>	walnut	+\$265
<b>UL</b>	natural maple	+\$265
<b>WHN</b>	natural white oak	+\$0

Top Finish		
<i>For 36" deep x 72" wide (43R) with veneer top with vinyl edge (C)</i>		
<b>2U</b>	light brown walnut	+\$290
<b>40</b>	dark brown walnut	+\$290
<b>9N</b>	santos palisander	+\$1104
<b>A2</b>	white ash	+\$290
<b>CHD</b>	noble cherry	+\$290
<b>EN</b>	ebony	+\$290
<b>OU</b>	walnut	+\$290
<b>UL</b>	natural maple	+\$290
<b>WHN</b>	natural white oak	+\$0

Top Finish		
<i>For 36" deep x 84" wide (44R) with veneer top with vinyl edge (C)</i>		
<b>2U</b>	light brown walnut	+\$305
<b>40</b>	dark brown walnut	+\$305
<b>9N</b>	santos palisander	+\$1161
<b>A2</b>	white ash	+\$305
<b>CHD</b>	noble cherry	+\$305
<b>EN</b>	ebony	+\$305
<b>OU</b>	walnut	+\$305
<b>UL</b>	natural maple	+\$305
<b>WHN</b>	natural white oak	+\$0

Top Finish		
<i>For 36" deep x 96" wide (89R) with veneer top with vinyl edge (C)</i>		
<b>2U</b>	light brown walnut	+\$330
<b>40</b>	dark brown walnut	+\$330
<b>9N</b>	santos palisander	+\$1420
<b>A2</b>	white ash	+\$330
<b>CHD</b>	noble cherry	+\$330
<b>EN</b>	ebony	+\$330
<b>OU</b>	walnut	+\$330
<b>UL</b>	natural maple	+\$330
<b>WHN</b>	natural white oak	+\$0

Top Finish		
<i>For 42" deep x 66" wide (50R) with veneer top with vinyl edge (C)</i>		
<b>2U</b>	light brown walnut	+\$290
<b>40</b>	dark brown walnut	+\$290
<b>9N</b>	santos palisander	+\$1160
<b>A2</b>	white ash	+\$290
<b>CHD</b>	noble cherry	+\$290
<b>EN</b>	ebony	+\$290
<b>OU</b>	walnut	+\$290
<b>UL</b>	natural maple	+\$290
<b>WHN</b>	natural white oak	+\$0



Eames® Conference Table,  
Rectangular *continued*

Top Finish		
<i>For 42" deep x 72" wide (51R) with veneer top with vinyl edge (C)</i>		
<b>2U</b>	light brown walnut	+\$305
<b>40</b>	dark brown walnut	+\$305
<b>9N</b>	santos palisander	+\$1220
<b>A2</b>	white ash	+\$305
<b>CHD</b>	noble cherry	+\$305
<b>EN</b>	ebony	+\$305
<b>OU</b>	walnut	+\$305
<b>UL</b>	natural maple	+\$305
<b>WHN</b>	natural white oak	+\$0

Top Finish		
<i>For 42" deep x 78" wide (52R) with veneer top with vinyl edge (C)</i>		
<b>2U</b>	light brown walnut	+\$330
<b>40</b>	dark brown walnut	+\$330
<b>9N</b>	santos palisander	+\$1320
<b>A2</b>	white ash	+\$330
<b>CHD</b>	noble cherry	+\$330
<b>EN</b>	ebony	+\$330
<b>OU</b>	walnut	+\$330
<b>UL</b>	natural maple	+\$330
<b>WHN</b>	natural white oak	+\$0

Top Finish		
<i>For 42" deep x 84" wide (45R) with veneer top with vinyl edge (C)</i>		
<b>2U</b>	light brown walnut	+\$330
<b>40</b>	dark brown walnut	+\$330
<b>9N</b>	santos palisander	+\$1320
<b>A2</b>	white ash	+\$330
<b>CHD</b>	noble cherry	+\$330
<b>EN</b>	ebony	+\$330
<b>OU</b>	walnut	+\$330
<b>UL</b>	natural maple	+\$330
<b>WHN</b>	natural white oak	+\$0

Top Finish		
<i>For 48" deep x 84" wide (54R) with veneer top with vinyl edge (C)</i>		
<b>2U</b>	light brown walnut	+\$385
<b>40</b>	dark brown walnut	+\$385
<b>9N</b>	santos palisander	+\$1656
<b>A2</b>	white ash	+\$385
<b>CHD</b>	noble cherry	+\$385
<b>EN</b>	ebony	+\$385
<b>OU</b>	walnut	+\$385
<b>UL</b>	natural maple	+\$385
<b>WHN</b>	natural white oak	+\$0

Top Finish		
<i>For 48" deep x 96" wide (47R) with veneer top with vinyl edge (C)</i>		
<b>2U</b>	light brown walnut	+\$385
<b>40</b>	dark brown walnut	+\$385
<b>9N</b>	santos palisander	+\$1656
<b>A2</b>	white ash	+\$385
<b>CHD</b>	noble cherry	+\$385
<b>EN</b>	ebony	+\$385
<b>OU</b>	walnut	+\$385
<b>UL</b>	natural maple	+\$385
<b>WHN</b>	natural white oak	+\$0

Top Finish		
<i>For 54" deep x 90" wide (55R) with veneer top with vinyl edge (C)</i>		
<b>2U</b>	light brown walnut	+\$425
<b>40</b>	dark brown walnut	+\$425
<b>9N</b>	santos palisander	+\$1700
<b>A2</b>	white ash	+\$425
<b>CHD</b>	noble cherry	+\$425
<b>EN</b>	ebony	+\$425
<b>OU</b>	walnut	+\$425
<b>UL</b>	natural maple	+\$425
<b>WHN</b>	natural white oak	+\$0

Top Finish		
<i>For 54" deep x 96" wide (56R) with veneer top with vinyl edge (C)</i>		
<b>2U</b>	light brown walnut	+\$440
<b>40</b>	dark brown walnut	+\$440
<b>9N</b>	santos palisander	+\$1760
<b>A2</b>	white ash	+\$440
<b>CHD</b>	noble cherry	+\$440
<b>EN</b>	ebony	+\$440
<b>OU</b>	walnut	+\$440
<b>UL</b>	natural maple	+\$440
<b>WHN</b>	natural white oak	+\$0

Top Finish		
<i>For 54" deep x 108" wide (57R) with veneer top with vinyl edge (C)</i>		
<b>2U</b>	light brown walnut	+\$500
<b>40</b>	dark brown walnut	+\$500
<b>9N</b>	santos palisander	+\$2350
<b>A2</b>	white ash	+\$500
<b>CHD</b>	noble cherry	+\$500
<b>EN</b>	ebony	+\$500
<b>OU</b>	walnut	+\$500
<b>UL</b>	natural maple	+\$500
<b>WHN</b>	natural white oak	+\$0

# Eames® Conference Table, Rectangular *continued*

Eames® Tables

Top Finish		
<i>For 54" deep x 120" wide (58R) with veneer top with vinyl edge (C)</i>		
<b>2U</b>	light brown walnut	+\$540
<b>40</b>	dark brown walnut	+\$540
<b>9N</b>	santos palisander	+\$2538
<b>A2</b>	white ash	+\$540
<b>CHD</b>	noble cherry	+\$540
<b>EN</b>	ebony	+\$540
<b>OU</b>	walnut	+\$540
<b>UL</b>	natural maple	+\$540
<b>WHN</b>	natural white oak	+\$0

Top Finish		
<i>For 54" deep x 144" wide (60R) with veneer top with vinyl edge (C)</i>		
<b>2U</b>	light brown walnut	+\$585
<b>40</b>	dark brown walnut	+\$585
<b>9N</b>	santos palisander	+\$2750
<b>A2</b>	white ash	+\$585
<b>CHD</b>	noble cherry	+\$585
<b>EN</b>	ebony	+\$585
<b>OU</b>	walnut	+\$585
<b>UL</b>	natural maple	+\$585
<b>WHN</b>	natural white oak	+\$0

Top Finish		
<i>For 54" deep x 156" wide (61R) with veneer top with vinyl edge (C)</i>		
<b>2U</b>	light brown walnut	+\$635
<b>40</b>	dark brown walnut	+\$635
<b>9N</b>	santos palisander	+\$3175
<b>A2</b>	white ash	+\$635
<b>CHD</b>	noble cherry	+\$635
<b>EN</b>	ebony	+\$635
<b>OU</b>	walnut	+\$635
<b>UL</b>	natural maple	+\$635
<b>WHN</b>	natural white oak	+\$0

Top Finish		
<i>For 54" deep x 168" wide (62R) with veneer top with vinyl edge (C)</i>		
<b>2U</b>	light brown walnut	+\$690
<b>40</b>	dark brown walnut	+\$690
<b>9N</b>	santos palisander	+\$3450
<b>A2</b>	white ash	+\$690
<b>CHD</b>	noble cherry	+\$690
<b>EN</b>	ebony	+\$690
<b>OU</b>	walnut	+\$690
<b>UL</b>	natural maple	+\$690
<b>WHN</b>	natural white oak	+\$0

Top Finish		
<i>For 54" deep x 192" wide (64R) with veneer top with vinyl edge (C)</i>		
<b>2U</b>	light brown walnut	+\$755
<b>40</b>	dark brown walnut	+\$755
<b>9N</b>	santos palisander	+\$3775
<b>A2</b>	white ash	+\$755
<b>CHD</b>	noble cherry	+\$755
<b>EN</b>	ebony	+\$755
<b>OU</b>	walnut	+\$755
<b>UL</b>	natural maple	+\$755
<b>WHN</b>	natural white oak	+\$0

Top Finish		
<i>For 54" deep x 216" wide (66R) with veneer top with vinyl edge (C)</i>		
<b>2U</b>	light brown walnut	+\$815
<b>40</b>	dark brown walnut	+\$815
<b>9N</b>	santos palisander	+\$4075
<b>A2</b>	white ash	+\$815
<b>CHD</b>	noble cherry	+\$815
<b>EN</b>	ebony	+\$815
<b>OU</b>	walnut	+\$815
<b>UL</b>	natural maple	+\$815
<b>WHN</b>	natural white oak	+\$0

Top Finish		
<i>For 54" deep x 240" wide (68R) with veneer top with vinyl edge (C)</i>		
<b>2U</b>	light brown walnut	+\$880
<b>40</b>	dark brown walnut	+\$880
<b>9N</b>	santos palisander	+\$4400
<b>A2</b>	white ash	+\$880
<b>CHD</b>	noble cherry	+\$880
<b>EN</b>	ebony	+\$880
<b>OU</b>	walnut	+\$880
<b>UL</b>	natural maple	+\$880
<b>WHN</b>	natural white oak	+\$0

Top Finish		
<i>For 54" deep x 264" wide (70R) with veneer top with vinyl edge (C)</i>		
<b>2U</b>	light brown walnut	+\$950
<b>40</b>	dark brown walnut	+\$950
<b>9N</b>	santos palisander	+\$5320
<b>A2</b>	white ash	+\$950
<b>CHD</b>	noble cherry	+\$950
<b>EN</b>	ebony	+\$950
<b>OU</b>	walnut	+\$950
<b>UL</b>	natural maple	+\$950
<b>WHN</b>	natural white oak	+\$0

Eames® Conference Table,  
Rectangular *continued*

Top Finish		
<i>For 60" deep x 120" wide (71R) with veneer top with vinyl edge (C)</i>		
<b>2U</b>	light brown walnut	+\$680
<b>40</b>	dark brown walnut	+\$680
<b>9N</b>	santos palisander	+\$3180
<b>A2</b>	white ash	+\$680
<b>CHD</b>	noble cherry	+\$680
<b>EN</b>	ebony	+\$680
<b>OU</b>	walnut	+\$680
<b>UL</b>	natural maple	+\$680
<b>WHN</b>	natural white oak	+\$0

Top Finish		
<i>For 60" deep x 144" wide (72R) with veneer top with vinyl edge (C)</i>		
<b>2U</b>	light brown walnut	+\$740
<b>40</b>	dark brown walnut	+\$740
<b>9N</b>	santos palisander	+\$3440
<b>A2</b>	white ash	+\$740
<b>CHD</b>	noble cherry	+\$740
<b>EN</b>	ebony	+\$740
<b>OU</b>	walnut	+\$740
<b>UL</b>	natural maple	+\$740
<b>WHN</b>	natural white oak	+\$0

Top Finish		
<i>For 60" deep x 156" wide (73R) with veneer top with vinyl edge (C)</i>		
<b>2U</b>	light brown walnut	+\$800
<b>40</b>	dark brown walnut	+\$800
<b>9N</b>	santos palisander	+\$3970
<b>A2</b>	white ash	+\$800
<b>CHD</b>	noble cherry	+\$800
<b>EN</b>	ebony	+\$800
<b>OU</b>	walnut	+\$800
<b>UL</b>	natural maple	+\$800
<b>WHN</b>	natural white oak	+\$0

Top Finish		
<i>For 60" deep x 168" wide (74R) with veneer top with vinyl edge (C)</i>		
<b>2U</b>	light brown walnut	+\$870
<b>40</b>	dark brown walnut	+\$870
<b>9N</b>	santos palisander	+\$4320
<b>A2</b>	white ash	+\$870
<b>CHD</b>	noble cherry	+\$870
<b>EN</b>	ebony	+\$870
<b>OU</b>	walnut	+\$870
<b>UL</b>	natural maple	+\$870
<b>WHN</b>	natural white oak	+\$0

Top Finish		
<i>For 60" deep x 192" wide (75R) with veneer top with vinyl edge (C)</i>		
<b>2U</b>	light brown walnut	+\$950
<b>40</b>	dark brown walnut	+\$950
<b>9N</b>	santos palisander	+\$5100
<b>A2</b>	white ash	+\$950
<b>CHD</b>	noble cherry	+\$950
<b>EN</b>	ebony	+\$950
<b>OU</b>	walnut	+\$950
<b>UL</b>	natural maple	+\$950
<b>WHN</b>	natural white oak	+\$0

Top Finish		
<i>For 60" deep x 216" wide (76R) with veneer top with vinyl edge (C)</i>		
<b>2U</b>	light brown walnut	+\$950
<b>40</b>	dark brown walnut	+\$950
<b>9N</b>	santos palisander	+\$5100
<b>A2</b>	white ash	+\$950
<b>CHD</b>	noble cherry	+\$950
<b>EN</b>	ebony	+\$950
<b>OU</b>	walnut	+\$950
<b>UL</b>	natural maple	+\$950
<b>WHN</b>	natural white oak	+\$0

Top Finish		
<i>For 60" deep x 240" wide (77R) with veneer top with vinyl edge (C)</i>		
<b>2U</b>	light brown walnut	+\$1100
<b>40</b>	dark brown walnut	+\$1100
<b>9N</b>	santos palisander	+\$5500
<b>A2</b>	white ash	+\$1100
<b>CHD</b>	noble cherry	+\$1100
<b>EN</b>	ebony	+\$1100
<b>OU</b>	walnut	+\$1100
<b>UL</b>	natural maple	+\$1100
<b>WHN</b>	natural white oak	+\$0

Top Finish		
<i>For 60" deep x 264" wide (78R) with veneer top with vinyl edge (C)</i>		
<b>2U</b>	light brown walnut	+\$1100
<b>40</b>	dark brown walnut	+\$1100
<b>9N</b>	santos palisander	+\$5500
<b>A2</b>	white ash	+\$1100
<b>CHD</b>	noble cherry	+\$1100
<b>EN</b>	ebony	+\$1100
<b>OU</b>	walnut	+\$1100
<b>UL</b>	natural maple	+\$1100
<b>WHN</b>	natural white oak	+\$0

# Eames® Conference Table, Rectangular *continued*

Eames® Tables

Top/Edge Finish		
<i>For 30" deep x 60" wide (87R) with veneer top with veneer edge (W)</i>		
<b>2U</b>	light brown walnut	+\$250
<b>40</b>	dark brown walnut	+\$250
<b>9N</b>	santos palisander	+\$950
<b>A2</b>	white ash	+\$250
<b>CHD</b>	noble cherry	+\$250
<b>EN</b>	ebony	+\$250
<b>OU</b>	walnut	+\$250
<b>UL</b>	natural maple	+\$250
<b>WHN</b>	natural white oak	+\$0

Top/Edge Finish		
<i>For 30" deep x 72" wide (88R) with veneer top with veneer edge (W)</i>		
<b>2U</b>	light brown walnut	+\$265
<b>40</b>	dark brown walnut	+\$265
<b>9N</b>	santos palisander	+\$1009
<b>A2</b>	white ash	+\$265
<b>CHD</b>	noble cherry	+\$265
<b>EN</b>	ebony	+\$265
<b>OU</b>	walnut	+\$265
<b>UL</b>	natural maple	+\$265
<b>WHN</b>	natural white oak	+\$0

Top/Edge Finish		
<i>For 36" deep x 60" wide (42R) with veneer top with veneer edge (W)</i>		
<b>2U</b>	light brown walnut	+\$265
<b>40</b>	dark brown walnut	+\$265
<b>9N</b>	santos palisander	+\$1009
<b>A2</b>	white ash	+\$265
<b>CHD</b>	noble cherry	+\$265
<b>EN</b>	ebony	+\$265
<b>OU</b>	walnut	+\$265
<b>UL</b>	natural maple	+\$265
<b>WHN</b>	natural white oak	+\$0

Top/Edge Finish		
<i>For 36" deep x 72" wide (43R) with veneer top with veneer edge (W)</i>		
<b>2U</b>	light brown walnut	+\$290
<b>40</b>	dark brown walnut	+\$290
<b>9N</b>	santos palisander	+\$1104
<b>A2</b>	white ash	+\$290
<b>CHD</b>	noble cherry	+\$290
<b>EN</b>	ebony	+\$290
<b>OU</b>	walnut	+\$290
<b>UL</b>	natural maple	+\$290
<b>WHN</b>	natural white oak	+\$0

Top/Edge Finish		
<i>For 36" deep x 84" wide (44R) with veneer top with veneer edge (W)</i>		
<b>CHD</b>	noble cherry	+\$305
<b>WHN</b>	natural white oak	+\$0
<b>2U</b>	light brown walnut	+\$305
<b>40</b>	dark brown walnut	+\$305
<b>9N</b>	santos palisander	+\$1161
<b>A2</b>	white ash	+\$305
<b>EN</b>	ebony	+\$305
<b>OU</b>	walnut	+\$305
<b>UL</b>	natural maple	+\$305

Top/Edge Finish		
<i>For 36" deep x 96" wide (89R) with veneer top with veneer edge (W)</i>		
<b>CHD</b>	noble cherry	+\$330
<b>WHN</b>	natural white oak	+\$0
<b>2U</b>	light brown walnut	+\$330
<b>40</b>	dark brown walnut	+\$330
<b>9N</b>	santos palisander	+\$1420
<b>A2</b>	white ash	+\$330
<b>EN</b>	ebony	+\$330
<b>OU</b>	walnut	+\$330
<b>UL</b>	natural maple	+\$330

Top/Edge Finish		
<i>For 42" deep x 66" wide (50R) with veneer top with veneer edge (W)</i>		
<b>2U</b>	light brown walnut	+\$290
<b>40</b>	dark brown walnut	+\$290
<b>9N</b>	santos palisander	+\$1160
<b>A2</b>	white ash	+\$290
<b>CHD</b>	noble cherry	+\$290
<b>EN</b>	ebony	+\$290
<b>OU</b>	walnut	+\$290
<b>UL</b>	natural maple	+\$290
<b>WHN</b>	natural white oak	+\$0

Top/Edge Finish		
<i>For 42" deep x 72" wide (51R) with veneer top with veneer edge (W)</i>		
<b>2U</b>	light brown walnut	+\$305
<b>40</b>	dark brown walnut	+\$305
<b>9N</b>	santos palisander	+\$1220
<b>A2</b>	white ash	+\$305
<b>CHD</b>	noble cherry	+\$305
<b>EN</b>	ebony	+\$305
<b>OU</b>	walnut	+\$305
<b>UL</b>	natural maple	+\$305
<b>WHN</b>	natural white oak	+\$0

Eames® Conference Table,  
Rectangular *continued*

Top/Edge Finish		
<i>For 42" deep x 78" wide (52R) with veneer top with veneer edge (W)</i>		
<b>2U</b>	light brown walnut	+\$330
<b>40</b>	dark brown walnut	+\$330
<b>9N</b>	santos palisander	+\$1320
<b>A2</b>	white ash	+\$330
<b>CHD</b>	noble cherry	+\$330
<b>EN</b>	ebony	+\$330
<b>OU</b>	walnut	+\$330
<b>UL</b>	natural maple	+\$330
<b>WHN</b>	white oak	+\$0

Top/Edge Finish		
<i>For 42" deep x 84" wide (45R) with veneer top with veneer edge (W)</i>		
<b>2U</b>	light brown walnut	+\$330
<b>40</b>	dark brown walnut	+\$330
<b>9N</b>	santos palisander	+\$1320
<b>A2</b>	white ash	+\$330
<b>CHD</b>	noble cherry	+\$330
<b>EN</b>	ebony	+\$330
<b>OU</b>	walnut	+\$330
<b>UL</b>	natural maple	+\$330
<b>WHN</b>	natural white oak	+\$0

Top/Edge Finish		
<i>For 48" deep x 84" wide (54R) with veneer top with veneer edge (W)</i>		
<b>2U</b>	light brown walnut	+\$385
<b>40</b>	dark brown walnut	+\$385
<b>9N</b>	santos palisander	+\$1656
<b>A2</b>	white ash	+\$385
<b>CHD</b>	noble cherry	+\$385
<b>EN</b>	ebony	+\$385
<b>OU</b>	walnut	+\$385
<b>UL</b>	natural maple	+\$385
<b>WHN</b>	natural white oak	+\$0

Top/Edge Finish		
<i>For 48" deep x 96" wide (47R) with veneer top with veneer edge (W)</i>		
<b>2U</b>	light brown walnut	+\$385
<b>40</b>	dark brown walnut	+\$385
<b>9N</b>	santos palisander	+\$1656
<b>A2</b>	white ash	+\$385
<b>CHD</b>	noble cherry	+\$385
<b>EN</b>	ebony	+\$385
<b>OU</b>	walnut	+\$385
<b>UL</b>	natural maple	+\$385
<b>WHN</b>	natural white oak	+\$0

Top/Edge Finish		
<i>For 54" deep x 90" wide (55R) with veneer top with veneer edge (W)</i>		
<b>2U</b>	light brown walnut	+\$425
<b>40</b>	dark brown walnut	+\$425
<b>9N</b>	santos palisander	+\$1700
<b>A2</b>	white ash	+\$425
<b>CHD</b>	noble cherry	+\$425
<b>EN</b>	ebony	+\$425
<b>OU</b>	walnut	+\$425
<b>UL</b>	natural maple	+\$425
<b>WHN</b>	natural white oak	+\$0

Top/Edge Finish		
<i>For 54" deep x 96" wide (56R) with veneer top with veneer edge (W)</i>		
<b>2U</b>	light brown walnut	+\$440
<b>40</b>	dark brown walnut	+\$440
<b>9N</b>	santos palisander	+\$1760
<b>A2</b>	white ash	+\$440
<b>CHD</b>	noble cherry	+\$440
<b>EN</b>	ebony	+\$440
<b>OU</b>	walnut	+\$440
<b>UL</b>	natural maple	+\$440
<b>WHN</b>	natural white oak	+\$0

Top/Edge Finish		
<i>For 54" deep x 108" wide (57R) with veneer top with veneer edge (W)</i>		
<b>2U</b>	light brown walnut	+\$500
<b>40</b>	dark brown walnut	+\$500
<b>9N</b>	santos palisander	+\$2350
<b>A2</b>	white ash	+\$500
<b>CHD</b>	noble cherry	+\$500
<b>EN</b>	ebony	+\$500
<b>OU</b>	walnut	+\$500
<b>UL</b>	natural maple	+\$500
<b>WHN</b>	natural white oak	+\$0

Top/Edge Finish		
<i>For 54" deep x 120" wide (58R) with veneer top with veneer edge (W)</i>		
<b>2U</b>	light brown walnut	+\$540
<b>40</b>	dark brown walnut	+\$540
<b>9N</b>	santos palisander	+\$2538
<b>A2</b>	white ash	+\$540
<b>CHD</b>	noble cherry	+\$540
<b>EN</b>	ebony	+\$540
<b>OU</b>	walnut	+\$540
<b>UL</b>	natural maple	+\$540
<b>WHN</b>	natural white oak	+\$0

Eames® Conference Table,  
 Rectangular *continued*

Eames® Tables

Top/Edge Finish		
<i>For 54" deep x 144" wide (60R) with veneer top with veneer edge (W)</i>		
<b>2U</b>	light brown walnut	+\$585
<b>40</b>	dark brown walnut	+\$585
<b>9N</b>	santos palisander	+\$2750
<b>A2</b>	white ash	+\$585
<b>CHD</b>	noble cherry	+\$585
<b>EN</b>	ebony	+\$585
<b>OU</b>	walnut	+\$585
<b>UL</b>	natural maple	+\$585
<b>WHN</b>	natural white oak	+\$0

Top/Edge Finish		
<i>For 54" deep x 156" wide (61R) with veneer top with veneer edge (W)</i>		
<b>2U</b>	light brown walnut	+\$635
<b>40</b>	dark brown walnut	+\$635
<b>9N</b>	santos palisander	+\$3175
<b>A2</b>	white ash	+\$635
<b>CHD</b>	noble cherry	+\$635
<b>EN</b>	ebony	+\$635
<b>OU</b>	walnut	+\$635
<b>UL</b>	natural maple	+\$635
<b>WHN</b>	natural white oak	+\$0

Top/Edge Finish		
<i>For 54" deep x 168" wide (62R) with veneer top with veneer edge (W)</i>		
<b>2U</b>	light brown walnut	+\$690
<b>40</b>	dark brown walnut	+\$690
<b>9N</b>	santos palisander	+\$3450
<b>A2</b>	white ash	+\$690
<b>CHD</b>	noble cherry	+\$690
<b>EN</b>	ebony	+\$690
<b>OU</b>	walnut	+\$690
<b>UL</b>	natural maple	+\$690
<b>WHN</b>	natural white oak	+\$0

Top/Edge Finish		
<i>For 54" deep x 192" wide (64R) with veneer top with veneer edge (W)</i>		
<b>2U</b>	light brown walnut	+\$755
<b>40</b>	dark brown walnut	+\$755
<b>9N</b>	santos palisander	+\$3775
<b>A2</b>	white ash	+\$755
<b>CHD</b>	noble cherry	+\$755
<b>EN</b>	ebony	+\$755
<b>OU</b>	walnut	+\$755
<b>UL</b>	natural maple	+\$755
<b>WHN</b>	natural white oak	+\$0

Top/Edge Finish		
<i>For 54" deep x 216" wide (66R) with veneer top with veneer edge (W)</i>		
<b>2U</b>	light brown walnut	+\$815
<b>40</b>	dark brown walnut	+\$815
<b>9N</b>	santos palisander	+\$4075
<b>A2</b>	white ash	+\$815
<b>CHD</b>	noble cherry	+\$815
<b>EN</b>	ebony	+\$815
<b>OU</b>	walnut	+\$815
<b>UL</b>	natural maple	+\$815
<b>WHN</b>	natural white oak	+\$0

Top/Edge Finish		
<i>For 54" deep x 240" wide (68R) with veneer top with veneer edge (W)</i>		
<b>2U</b>	light brown walnut	+\$880
<b>40</b>	dark brown walnut	+\$880
<b>9N</b>	santos palisander	+\$4400
<b>A2</b>	white ash	+\$880
<b>CHD</b>	noble cherry	+\$880
<b>EN</b>	ebony	+\$880
<b>OU</b>	walnut	+\$880
<b>UL</b>	natural maple	+\$880
<b>WHN</b>	natural white oak	+\$0

Top/Edge Finish		
<i>For 54" deep x 264" wide (70R) with veneer top with veneer edge (W)</i>		
<b>2U</b>	light brown walnut	+\$950
<b>40</b>	dark brown walnut	+\$950
<b>9N</b>	santos palisander	+\$5320
<b>A2</b>	white ash	+\$950
<b>CHD</b>	noble cherry	+\$950
<b>EN</b>	ebony	+\$950
<b>OU</b>	walnut	+\$950
<b>UL</b>	natural maple	+\$950
<b>WHN</b>	natural white oak	+\$0

Top/Edge Finish		
<i>For 60" deep x 120" wide (71R) with veneer top with veneer edge (W)</i>		
<b>2U</b>	light brown walnut	+\$680
<b>40</b>	dark brown walnut	+\$680
<b>9N</b>	santos palisander	+\$3180
<b>A2</b>	white ash	+\$680
<b>CHD</b>	noble cherry	+\$680
<b>EN</b>	ebony	+\$680
<b>OU</b>	walnut	+\$680
<b>UL</b>	natural maple	+\$680
<b>WHN</b>	natural white oak	+\$0

Eames® Conference Table,  
Rectangular *continued*

Top/Edge Finish		
<i>For 60" deep x 144" wide (72R) with veneer top with veneer edge (W)</i>		
<b>2U</b>	light brown walnut	+\$740
<b>40</b>	dark brown walnut	+\$740
<b>9N</b>	santos palisander	+\$3440
<b>A2</b>	white ash	+\$740
<b>CHD</b>	noble cherry	+\$740
<b>EN</b>	ebony	+\$740
<b>OU</b>	walnut	+\$740
<b>UL</b>	natural maple	+\$740
<b>WHN</b>	natural white oak	+\$0

Top/Edge Finish		
<i>For 60" deep x 156" wide (73R) with veneer top with veneer edge (W)</i>		
<b>2U</b>	light brown walnut	+\$800
<b>40</b>	dark brown walnut	+\$800
<b>9N</b>	santos palisander	+\$3970
<b>A2</b>	white ash	+\$800
<b>CHD</b>	noble cherry	+\$800
<b>EN</b>	ebony	+\$800
<b>OU</b>	walnut	+\$800
<b>UL</b>	natural maple	+\$800
<b>WHN</b>	natural white oak	+\$0

Top/Edge Finish		
<i>For 60" deep x 168" wide (74R) with veneer top with veneer edge (W)</i>		
<b>2U</b>	light brown walnut	+\$870
<b>40</b>	dark brown walnut	+\$870
<b>9N</b>	santos palisander	+\$4320
<b>A2</b>	white ash	+\$870
<b>CHD</b>	noble cherry	+\$870
<b>EN</b>	ebony	+\$870
<b>OU</b>	walnut	+\$870
<b>UL</b>	natural maple	+\$870
<b>WHN</b>	natural white oak	+\$0

Top/Edge Finish		
<i>For 60" deep x 192" wide (75R) with veneer top with veneer edge (W)</i>		
<b>2U</b>	light brown walnut	+\$950
<b>40</b>	dark brown walnut	+\$950
<b>9N</b>	santos palisander	+\$5100
<b>A2</b>	white ash	+\$950
<b>CHD</b>	noble cherry	+\$950
<b>EN</b>	ebony	+\$950
<b>OU</b>	walnut	+\$950
<b>UL</b>	natural maple	+\$950
<b>WHN</b>	natural white oak	+\$0

Step 8. Edge Finish		
<i>For high-pressure laminate top with vinyl edge (L) or veneer top with vinyl edge (C)</i>		
<b>8Q</b>	folkstone grey	+\$0
<b>91</b>	white	+\$0
<b>98</b>	studio white	+\$0
<b>BK</b>	black	+\$0
<b>BU</b>	black umber	+\$0
<b>CL</b>	cool grey neutral	+\$0
<b>HF</b>	inner tone light	+\$0
<b>LT</b>	light tone	+\$0
<b>LU</b>	soft white	+\$0
<b>SG</b>	slate grey	+\$0
<b>WL</b>	sandstone	+\$0
<b>WN</b>	warm grey neutral	+\$0

Step 9. Grommet Finish		
<i>For 2 round cutouts, over columns (C2) or 3 round cutouts, over columns (C3)</i>		
<b>91</b>	white	+\$0
<b>BK</b>	black	+\$0
<b>PA</b>	polished aluminum	+\$0

<i>For single centered oval cutout (CR) or 2 round cutouts and center oval cutout (CA)</i>		
<b>91</b>	white	+\$0
<b>BK</b>	black	+\$0
<b>PA</b>	polished aluminum	+\$150

<i>For 2 oval cutouts (CM) or 2 round cutouts and 2 oval cutouts (CB)</i>		
<b>91</b>	white	+\$0
<b>BK</b>	black	+\$0
<b>PA</b>	polished aluminum	+\$300

<i>For 3 oval cutouts (CP) or 2 round cutouts and 3 oval cutouts (CE)</i>		
<b>91</b>	white	+\$0
<b>BK</b>	black	+\$0
<b>PA</b>	polished aluminum	+\$450

<i>For 4 oval cutouts (CN) or 3 round cutouts and 4 oval cutouts (CD)</i>		
<b>91</b>	white	+\$0
<b>BK</b>	black	+\$0
<b>PA</b>	polished aluminum	+\$600

# Eames® Conference Table, Rectangular *continued*

Eames® Tables

## Step 10. Column Finish

<b>91</b>	white	+\$0
<b>BK</b>	black	+\$0
<b>BU</b>	black umber	+\$0
<b>CL</b>	cool grey neutral	+\$0
<b>CN</b>	metallic champagne	+\$0
<b>EH</b>	metallic bronze	+\$0
<b>G2</b>	graphite satin	+\$0
<b>HF</b>	inner tone light	+\$0
<b>LT</b>	light tone	+\$0
<b>LU</b>	soft white	+\$0
<b>MS</b>	metallic silver	+\$0
<b>MT</b>	medium tone	+\$0
<b>SG</b>	slate grey	+\$0
<b>WN</b>	warm grey neutral	+\$0

## Step 11. Base Finish

<b>91</b>	white	+\$0
<b>BK</b>	black	+\$0
<b>BU</b>	black umber	+\$0
<b>CL</b>	cool grey neutral	+\$0
<b>CN</b>	metallic champagne	+\$0
<b>EH</b>	metallic bronze	+\$0
<b>G2</b>	graphite satin	+\$0
<b>HF</b>	inner tone light	+\$0
<b>LT</b>	light tone	+\$0
<b>LU</b>	soft white	+\$0
<b>MS</b>	metallic silver	+\$0
<b>MT</b>	medium tone	+\$0
<b>PA</b>	polished aluminum	+\$0
<b>SG</b>	slate grey	+\$0
<b>WN</b>	warm grey neutral	+\$0

## Step 12. Casters/Glides

*For 30" deep x 60" wide (87R), 30" deep x 72" wide (88R), 36" deep x 60" wide (42R), 36" deep x 72" wide (43R), 36" deep x 84" wide (44R), 36" deep x 96" wide (89R), 42" deep x 66" wide (50R), 42" deep x 72" wide (51R), 42" deep x 78" wide (52R), 42" deep x 84" wide (45R), 48" deep x 84" wide (54R), or 48" deep x 96" wide (47R) with high-pressure laminate top with vinyl edge (L), or veneer top with vinyl edge (C), or veneer top with veneer edge (W), or thin profile HPL top with black edge (M), or solid wood top (SW)*

<b>G</b>	glides	+\$0
<b>C</b>	casters	+\$80

*For 54" deep x 108" wide (57R), 54" deep x 120" wide (58R), 54" deep x 144" wide (60R), 54" deep x 156" wide (61R), 54" deep x 168" wide (62R), 54" deep x 192" wide (64R), 54" deep x 216" wide (66R), 54" deep x 240" wide (68R), 54" deep x 264" wide (70R), 60" deep x 120" wide (71R), 60" deep x 144" wide (72R), 60" deep x 156" wide (73R), 60" deep x 168" wide (74R), 60" deep x 192" wide (75R), 60" deep x 216" wide (76R), 60" deep x 240" wide (77R), or 60" deep x 264" wide (78R) with high-pressure laminate top with vinyl edge (L), or veneer top with vinyl edge (C), or veneer top with veneer edge (W)*

<b>G</b>	glides	+\$0
----------	--------	------

*For 30" deep x 60" wide (87R), 30" deep x 72" wide (88R), 36" deep x 60" wide (42R), 36" deep x 72" wide (43R), 36" deep x 84" wide (44R), 36" deep x 96" wide (89R), 42" deep x 66" wide (50R), 42" deep x 72" wide (51R), 42" deep x 78" wide (52R), 42" deep x 84" wide (45R), 48" deep x 84" wide (54R), 48" deep x 96" wide (47R), 54" deep x 90" wide (55R), 54" deep x 96" wide (56R), 54" deep x 108" wide (57R), 54" deep x 120" wide (58R), or 60" deep x 120" wide (71R) with back-painted glass top (G)*

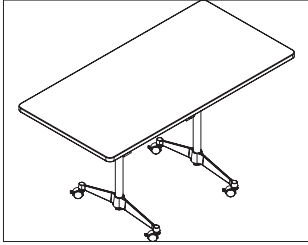
<b>G</b>	glides	+\$0
----------	--------	------

*For 54" deep x 90" wide (55R) or 54" deep x 96" wide (56R) with high-pressure laminate top with vinyl edge (L), or veneer top with vinyl edge (C), or veneer top with veneer edge (W)*

<b>G</b>	glides	+\$0
----------	--------	------



# Eames® Contract Base, T-Leg Table, Rectangular



## Product Information

### Description

This T-leg base table has a laminate or veneer top with vinyl edge or a solid wood top with a small radius edge. All tops are approximately 1<sup>3</sup>/<sub>16</sub>" thick. Shipped knocked down.

### Notes

Tables may be specified with cutouts for power in various configurations. Round cutouts align with columns, and oval cutouts are centered between columns.

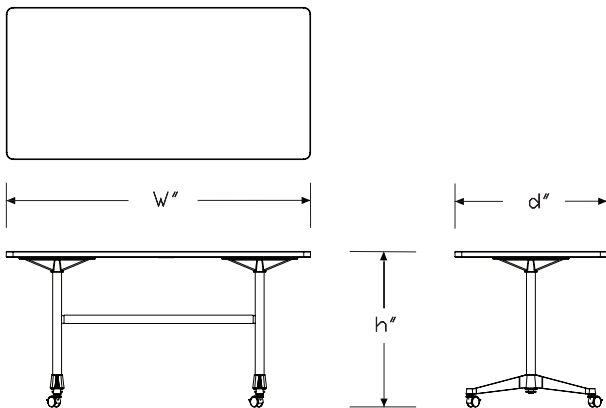
Order the following compatible power components separately:

- Round power module (ET991.)
- Oval power module (ET992.)
- Pair of oval power modules (ET993.)
- Oval power module & undermount power (ET994.)
- Pair of oval power modules & undermount power (ET995.)

Solid wood is celebrated for its unique grain and color variations.

Similar products ordered in multiples or dissimilar products ordered separately should be expected to have variation in both grain and color characteristics; no two products will look exactly alike.

## Dimensions



## Specification Information

### Step 1.

ET  A

### Step 2. Height

1 28<sup>1</sup>/<sub>2</sub>" high  A

4 36" high  A

5 42" high  A

### Step 3. Depth/Width

21R 24" deep x 42" wide  A

22R 24" deep x 48" wide  A

23R 24" deep x 60" wide  A

24R 24" deep x 66" wide  A

25R 24" deep x 72" wide  A

87R 30" deep x 60" wide  A

26R 30" deep x 66" wide  A

88R 30" deep x 72" wide  A

42R 36" deep x 60" wide  A

27R 36" deep x 66" wide  A

43R 36" deep x 72" wide  A

28R 36" deep x 78" wide  A

44R 36" deep x 84" wide  A

29R 42" deep x 60" wide  A

50R 42" deep x 66" wide  A

51R 42" deep x 72" wide  A

52R 42" deep x 78" wide  A

45R 42" deep x 84" wide  A

30R 42" deep x 96" wide  A

31R 48" deep x 60" wide  A

32R 48" deep x 66" wide  A

33R 48" deep x 72" wide  A

34R 48" deep x 78" wide  A

54R 48" deep x 84" wide  A

47R 48" deep x 96" wide  A

### Step 4. Base

T contract base, T-leg  A

Eames® Contract Base, T-Leg  
Table, Rectangular *continued*

Step 5. Surface Material

For 24" deep x 42" wide (21R), 24" deep x 48" wide (22R), 24" deep x 60" wide (23R), 24" deep x 66" wide (24R), 24" deep x 72" wide (25R), 30" deep x 60" wide (87R), 30" deep x 66" wide (26R), 30" deep x 72" wide (88R), 36" deep x 60" wide (42R), 36" deep x 66" wide (27R), or 36" deep x 72" wide (43R)

- L** high-pressure laminate top with vinyl edge A
- C** veneer top with vinyl edge A
- W** veneer top with veneer edge A
- SW** solid wood top A

For 36" deep x 78" wide (28R), 36" deep x 84" wide (44R), 42" deep x 60" wide (29R), 42" deep x 66" wide (50R), 42" deep x 72" wide (51R), 42" deep x 78" wide (52R), 42" deep x 84" wide (45R), 42" deep x 96" wide (30R), 48" deep x 60" wide (31R), 48" deep x 66" wide (32R), 48" deep x 72" wide (33R), 48" deep x 78" wide (34R), 48" deep x 84" wide (54R), or 48" deep x 96" wide (47R)

- L** high-pressure laminate top with vinyl edge A
- C** veneer top with vinyl edge A
- W** veneer top with veneer edge A

Step 6. Grommets

For 24" deep x 42" wide (21R), 24" deep x 48" wide (22R), 24" deep x 60" wide (23R), 24" deep x 66" wide (24R), 24" deep x 72" wide (25R), 30" deep x 60" wide (87R), 30" deep x 66" wide (26R), or 30" deep x 72" wide (88R)

- NG** no grommet A

For 36" deep x 60" wide (42R), 36" deep x 66" wide (27R), 36" deep x 72" wide (43R), 36" deep x 78" wide (28R), 36" deep x 84" wide (44R), 42" deep x 60" wide (29R), 42" deep x 66" wide (50R), 42" deep x 72" wide (51R), 42" deep x 78" wide (52R), 42" deep x 84" wide (45R), 42" deep x 96" wide (30R), 48" deep x 60" wide (31R), 48" deep x 66" wide (32R), 48" deep x 72" wide (33R), 48" deep x 78" wide (34R), 48" deep x 84" wide (54R), or 48" deep x 96" wide (47R)

- NG** no grommet A
- C2** 2 round cutouts, over columns A
- CR** single centered oval cutout A
- CA** 2 round cutouts and center oval cutout A

Prices for Steps 1-6.

		NG	C2	CR	CA
<b>ET121R T</b>	<b>L</b>	\$2237	—	—	—
	<b>C</b>	\$2783	—	—	—
	<b>W</b>	\$2914	—	—	—
	<b>SW</b>	\$5702	—	—	—

		NG	C2	CR	CA
<b>ET122R T</b>	<b>L</b>	\$2251	—	—	—
	<b>C</b>	\$2798	—	—	—
	<b>W</b>	\$2930	—	—	—
	<b>SW</b>	\$5814	—	—	—

		NG	C2	CR	CA
<b>ET123R T</b>	<b>L</b>	\$2288	—	—	—
	<b>C</b>	\$2835	—	—	—
	<b>W</b>	\$3099	—	—	—
	<b>SW</b>	\$6341	—	—	—

		NG	C2	CR	CA
<b>ET124R T</b>	<b>L</b>	\$2341	—	—	—
	<b>C</b>	\$2935	—	—	—
	<b>W</b>	\$3066	—	—	—
	<b>SW</b>	\$6649	—	—	—

		NG	C2	CR	CA
<b>ET125R T</b>	<b>L</b>	\$2368	—	—	—
	<b>C</b>	\$2949	—	—	—
	<b>W</b>	\$3082	—	—	—
	<b>SW</b>	\$6801	—	—	—

		NG	C2	CR	CA
<b>ET187R T</b>	<b>L</b>	\$2405	—	—	—
	<b>C</b>	\$2949	—	—	—
	<b>W</b>	\$3181	—	—	—
	<b>SW</b>	\$6722	—	—	—

		NG	C2	CR	CA
<b>ET126R T</b>	<b>L</b>	\$2491	—	—	—
	<b>C</b>	\$3080	—	—	—
	<b>W</b>	\$3370	—	—	—
	<b>SW</b>	\$7040	—	—	—

Eames® Contract Base, T-Leg  
Table, Rectangular *continued*

		NG	C2	CR	CA
ET188R T	L	\$2578	—	—	—
	C	\$3209	—	—	—
	W	\$3556	—	—	—
	SW	\$7249	—	—	—

		NG	C2	CR	CA
ET142R T	L	\$2715	3382	3050	3715
	C	\$3282	3945	3614	4279
	W	\$3564	4228	3895	4558
	SW	\$8271	9589	8930	9658

		NG	C2	CR	CA
ET127R T	L	\$2725	3416	3083	3486
	C	\$3334	3997	3664	4330
	W	\$3638	4304	3971	4634
	SW	\$8580	9899	9240	9967

		NG	C2	CR	CA
ET143R T	L	\$2785	3450	3117	3783
	C	\$3383	4046	3716	4380
	W	\$3716	4380	4046	4713
	SW	\$8831	10148	9490	10217

		NG	C2	CR	CA
ET128R T	L	\$2847	3515	3181	3845
	C	\$3513	4178	3845	4511
	W	\$3890	4554	4221	4885

		NG	C2	CR	CA
ET144R T	L	\$2912	3576	3246	3909
	C	\$3643	4308	3975	4639
	W	\$4063	4727	4393	5057

		NG	C2	CR	CA
ET129R T	L	\$3082	3747	3415	4077
	C	\$3708	4374	4040	4703
	W	\$4157	4820	4489	5153

		NG	C2	CR	CA
ET150R T	L	\$3252	3916	3584	4247
	C	\$3774	4438	4104	4767
	W	\$4248	4915	4582	5245

		NG	C2	CR	CA
ET151R T	L	\$3349	4013	3684	4345
	C	\$3825	4492	4157	4821
	W	\$4289	4953	4621	5284

		NG	C2	CR	CA
ET152R T	L	\$3420	4087	3753	4416
	C	\$4003	4666	4335	5000
	W	\$4436	5101	4766	5431

		NG	C2	CR	CA
ET145R T	L	\$3462	4126	3793	4459
	C	\$4043	4711	4377	5041
	W	\$4487	5152	4819	5482

		NG	C2	CR	CA
ET130R T	L	\$3539	4197	3868	4526
	C	\$4131	4789	4461	5121
	W	\$4526	5186	4856	5514

		NG	C2	CR	CA
ET131R T	L	\$3617	4276	3944	4604
	C	\$4209	4735	4538	5197
	W	\$4604	5262	4934	5593

		NG	C2	CR	CA
ET132R T	L	\$3695	4353	4025	4683
	C	\$4288	4947	4618	5277
	W	\$4683	5342	5012	5671

		NG	C2	CR	CA
ET133R T	L	\$3776	4436	4106	4764
	C	\$4369	5028	4699	5358
	W	\$4764	5423	5095	5753

		NG	C2	CR	CA
ET134R T	L	\$3859	4518	4188	4848
	C	\$4451	5110	4783	5441
	W	\$4848	5507	5176	5835

		NG	C2	CR	CA
ET154R T	L	\$3895	4558	4228	4892
	C	\$4495	5158	4824	5489
	W	\$4926	5592	5259	5922

Eames® Tables

Eames® Contract Base, T-Leg  
Table, Rectangular *continued*

Eames® Tables

		NG	C2	CR	CA
ET147R T	L	\$3978	4644	4313	4975
	C	\$4586	5250	4919	5582
	W	\$5093	5757	5423	6087
		NG	C2	CR	CA
ET421R T	L	\$2253	—	—	—
	C	\$2800	—	—	—
	W	\$3030	—	—	—
	SW	\$5702	—	—	—
		NG	C2	CR	CA
ET422R T	L	\$2339	—	—	—
	C	\$2884	—	—	—
	W	\$3117	—	—	—
	SW	\$5814	—	—	—
		NG	C2	CR	CA
ET423R T	L	\$2426	—	—	—
	C	\$2974	—	—	—
	W	\$3205	—	—	—
	SW	\$6341	—	—	—
		NG	C2	CR	CA
ET424R T	L	\$2517	—	—	—
	C	\$3063	—	—	—
	W	\$3291	—	—	—
	SW	\$6649	—	—	—
		NG	C2	CR	CA
ET425R T	L	\$2603	—	—	—
	C	\$3150	—	—	—
	W	\$3382	—	—	—
	SW	\$6801	—	—	—
		NG	C2	CR	CA
ET487R T	L	\$2692	—	—	—
	C	\$3239	—	—	—
	W	\$3470	—	—	—
	SW	\$6722	—	—	—
		NG	C2	CR	CA
ET426R T	L	\$2780	—	—	—
	C	\$3370	—	—	—
	W	\$3656	—	—	—
	SW	\$7040	—	—	—

		NG	C2	CR	CA
ET488R T	L	\$2867	—	—	—
	C	\$3498	—	—	—
	W	\$3843	—	—	—
	SW	\$7249	—	—	—
		NG	C2	CR	CA
ET442R T	L	\$3004	3671	3338	4003
	C	\$3570	4234	3903	4566
	W	\$3853	4516	4183	4848
	SW	\$8271	9589	8903	9658
		NG	C2	CR	CA
ET427R T	L	\$2938	3601	3268	3934
	C	\$3535	4199	3868	4531
	W	\$3847	4513	4181	4846
	SW	\$8580	9899	9240	9967
		NG	C2	CR	CA
ET443R T	L	\$3074	3738	3407	4071
	C	\$3672	4336	4004	4668
	W	\$4004	4668	4336	5001
	SW	\$8831	10148	9490	10217
		NG	C2	CR	CA
ET428R T	L	\$3136	3804	3471	4134
	C	\$3603	4266	3937	4600
	W	\$3927	4592	4259	4922
		NG	C2	CR	CA
ET444R T	L	\$3201	3867	3533	4198
	C	\$3931	4596	4265	4927
	W	\$4350	5016	4683	5346
		NG	C2	CR	CA
ET429R T	L	\$3371	4037	3703	4368
	C	\$3169	4662	4330	4993
	W	\$3533	5108	4778	5442
		NG	C2	CR	CA
ET450R T	L	\$3541	4205	3872	4537
	C	\$4063	4727	4393	5057
	W	\$4538	5202	4870	5535

Eames® Contract Base, T-Leg  
Table, Rectangular *continued*

		NG	C2	CR	CA
ET451R T	L	\$3637	4304	3971	4634
	C	\$4113	4780	4446	5109
	W	\$4579	5241	4909	5574

		NG	C2	CR	CA
ET452R T	L	\$3710	4375	4041	4705
	C	\$4291	4955	4624	5286
	W	\$4725	5389	5056	5720

		NG	C2	CR	CA
ET445R T	L	\$3751	4414	4083	4747
	C	\$4307	4999	4665	5330
	W	\$4776	5441	5107	5771

		NG	C2	CR	CA
ET430R T	L	\$3790	4449	4122	4780
	C	\$4380	5039	4711	5369
	W	\$4827	5487	5158	5816

		NG	C2	CR	CA
ET431R T	L	\$3834	4493	4162	4821
	C	\$4428	5088	4758	5416
	W	\$4882	5540	5209	5868

		NG	C2	CR	CA
ET432R T	L	\$3874	4534	4205	4863
	C	\$4477	5136	4808	5466
	W	\$4935	5594	5264	5922

		NG	C2	CR	CA
ET433R T	L	\$3918	4577	4247	4906
	C	\$4526	5186	4856	5514
	W	\$4989	5647	5318	5978

		NG	C2	CR	CA
ET434R T	L	\$4002	4661	4331	4990
	C	\$4577	5235	4906	5566
	W	\$5043	5703	5374	6032

		NG	C2	CR	CA
ET454R T	L	\$4183	4848	4516	5180
	C	\$4784	5447	5112	5779
	W	\$5217	5880	5547	6210

		NG	C2	CR	CA
ET447R T	L	\$4268	4933	4602	5265
	C	\$4873	5540	5208	5871
	W	\$5380	6046	5714	6376

		NG	C2	CR	CA
ET521R T	L	\$2253	—	—	—
	C	\$2800	—	—	—
	W	\$3030	—	—	—
	SW	\$5702	—	—	—

		NG	C2	CR	CA
ET522R T	L	\$2339	—	—	—
	C	\$2884	—	—	—
	W	\$3117	—	—	—
	SW	\$5814	—	—	—

		NG	C2	CR	CA
ET523R T	L	\$2426	—	—	—
	C	\$2974	—	—	—
	W	\$3205	—	—	—
	SW	\$6341	—	—	—

		NG	C2	CR	CA
ET524R T	L	\$2517	—	—	—
	C	\$3063	—	—	—
	W	\$3291	—	—	—
	SW	\$6649	—	—	—

		NG	C2	CR	CA
ET525R T	L	\$2603	—	—	—
	C	\$3150	—	—	—
	W	\$3382	—	—	—
	SW	\$6801	—	—	—

		NG	C2	CR	CA
ET587R T	L	\$2692	—	—	—
	C	\$3239	—	—	—
	W	\$3470	—	—	—
	SW	\$6722	—	—	—

		NG	C2	CR	CA
ET526R T	L	\$2780	—	—	—
	C	\$3370	—	—	—
	W	\$3656	—	—	—
	SW	\$7040	—	—	—

Eames® Tables

Eames® Contract Base, T-Leg  
Table, Rectangular *continued*

Eames® Tables

		NG	C2	CR	CA
ET588R T	L	\$2867	—	—	—
	C	\$3498	—	—	—
	W	\$3843	—	—	—
	SW	\$7249	—	—	—

		NG	C2	CR	CA
ET542R T	L	\$3004	3671	3338	4003
	C	\$3570	4234	3903	4566
	W	\$3853	4516	4183	4848
	SW	\$8271	9589	8930	9658

		NG	C2	CR	CA
ET527R T	L	\$3040	3705	3372	4038
	C	\$3623	4284	3954	4618
	W	\$3928	4593	4260	4923
	SW	\$8580	9899	9240	9967

		NG	C2	CR	CA
ET543R T	L	\$3074	3738	3407	4071
	C	\$3672	4336	4004	4668
	W	\$4004	4668	4336	5001
	SW	\$8831	10148	9490	10217

		NG	C2	CR	CA
ET528R T	L	\$3502	4168	3836	4500
	C	\$4012	4675	4344	5007
	W	\$2003	2337	4509	5174

		NG	C2	CR	CA
ET544R T	L	\$3201	3867	3533	4198
	C	\$3931	4596	4265	4927
	W	\$4350	5016	4683	5346

		NG	C2	CR	CA
ET529R T	L	\$3371	4037	3703	4368
	C	\$3997	4662	4330	4993
	W	\$4445	5108	4778	5442

		NG	C2	CR	CA
ET550R T	L	\$3541	4205	3872	4537
	C	\$4063	4727	4393	5057
	W	\$4538	5202	4870	5535

		NG	C2	CR	CA
ET551R T	L	\$3637	4304	3971	4634
	C	\$4113	4780	4446	5109
	W	\$4579	5241	4909	5574

		NG	C2	CR	CA
ET552R T	L	\$3710	4375	4041	4705
	C	\$4291	4955	4624	5286
	W	\$4725	5389	5056	5720

		NG	C2	CR	CA
ET545R T	L	\$3751	4414	4083	4747
	C	\$4333	4999	4665	5330
	W	\$4776	5441	5107	5771

		NG	C2	CR	CA
ET530R T	L	\$3790	4449	4122	4780
	C	\$4380	5039	4711	5369
	W	\$4827	5487	5158	5816

		NG	C2	CR	CA
ET531R T	L	\$3834	4493	4162	4821
	C	\$4428	5088	4758	5416
	W	\$4882	5540	5209	5868

		NG	C2	CR	CA
ET532R T	L	\$3874	4534	4205	4863
	C	\$4477	5136	4808	5466
	W	\$4935	5594	5264	5922

		NG	C2	CR	CA
ET533R T	L	\$3918	4577	4247	4906
	C	\$4526	5186	4856	5514
	W	\$4989	5647	5318	5978

		NG	C2	CR	CA
ET534R T	L	\$4002	4661	4331	4990
	C	\$4577	5235	4906	5566
	W	\$5043	5703	5374	6032

		NG	C2	CR	CA
ET554R T	L	\$4183	4848	4516	5180
	C	\$4784	5447	5112	5779
	W	\$5217	5880	5547	6210

Eames® Contract Base, T-Leg  
Table, Rectangular *continued*

		NG	C2	CR	CA
ET547R T	L	\$4268	4933	4602	5265
	C	\$4873	5540	5208	5871
	W	\$5380	6046	5714	6376

Step 7.

Top Finish: Solid-Color Laminate

*For high-pressure laminate top with vinyl edge (L)*

8Q	folkstone grey	A			+\$0
91	white	A			+\$0
98	studio white	A			+\$0
BKM	black matte	A			+\$0
CL	cool grey neutral	A			+\$0
HF	inner tone light	A			+\$0
LT	light tone	A			+\$0
LU	soft white	A			+\$0
WL	sandstone	A			+\$0
WN	warm grey neutral	A			+\$0

Top Finish

*For 24" deep x 42" wide (21R) with veneer top with vinyl edge (C)*

CHD	noble cherry	A			+\$140
WHN	natural white oak	A			+\$0
2U	light brown walnut	A			+\$140
40	dark brown walnut	A			+\$140
9N	santos palisander	A			+\$850
A2	white ash	A			+\$140
EN	ebony	A			+\$140
OU	walnut	A			+\$140
UL	natural maple	A			+\$140

Top Finish

*For 24" deep x 48" wide (22R) with veneer top with vinyl edge (C)*

CHD	noble cherry	A			+\$160
WHN	natural white oak	A			+\$0
2U	light brown walnut	A			+\$160
40	dark brown walnut	A			+\$160
9N	santos palisander	A			+\$860
A2	white ash	A			+\$160
EN	ebony	A			+\$160
OU	walnut	A			+\$160
UL	natural maple	A			+\$160

Top Finish

*For 24" deep x 60" wide (23R) with veneer top with vinyl edge (C)*

CHD	noble cherry	A			+\$200
WHN	natural white oak	A			+\$0
2U	light brown walnut	A			+\$200
40	dark brown walnut	A			+\$200
9N	santos palisander	A			+\$890
A2	white ash	A			+\$200
EN	ebony	A			+\$200
OU	walnut	A			+\$200
UL	natural maple	A			+\$200

Top Finish

*For 24" deep x 66" wide (24R) with veneer top with vinyl edge (C)*

CHD	noble cherry	A			+\$220
WHN	natural white oak	A			+\$0
2U	light brown walnut	A			+\$220
40	dark brown walnut	A			+\$220
9N	santos palisander	A			+\$910
A2	white ash	A			+\$220
EN	ebony	A			+\$220
OU	walnut	A			+\$220
UL	natural maple	A			+\$220

Top Finish

*For 24" deep x 72" wide (25R) with veneer top with vinyl edge (C)*

CHD	noble cherry	A			+\$240
WHN	natural white oak	A			+\$0
2U	light brown walnut	A			+\$240
40	dark brown walnut	A			+\$240
9N	santos palisander	A			+\$930
A2	white ash	A			+\$240
EN	ebony	A			+\$240
OU	walnut	A			+\$240
UL	natural maple	A			+\$240

Top Finish

*For 30" deep x 60" wide (87R) with veneer top with vinyl edge (C)*

CHD	noble cherry	A			+\$250
WHN	natural white oak	A			+\$0
2U	light brown walnut	A			+\$250
40	dark brown walnut	A			+\$250
9N	santos palisander	A			+\$950
A2	white ash	A			+\$250
EN	ebony	A			+\$250
OU	walnut	A			+\$250
UL	natural maple	A			+\$250

Eames® Contract Base, T-Leg  
Table, Rectangular *continued*

Eames® Tables

Top Finish		
<i>For 30" deep x 66" wide (26R) with veneer top with vinyl edge (C)</i>		
<b>CHD</b>	noble cherry <input type="checkbox"/>	+\$260
<b>WHN</b>	natural white oak <input type="checkbox"/>	+\$0
<b>2U</b>	light brown walnut <input type="checkbox"/>	+\$260
<b>40</b>	dark brown walnut <input type="checkbox"/>	+\$260
<b>9N</b>	santos palisander <input type="checkbox"/>	+\$980
<b>A2</b>	white ash <input type="checkbox"/>	+\$260
<b>EN</b>	ebony <input type="checkbox"/>	+\$260
<b>OU</b>	walnut <input type="checkbox"/>	+\$260
<b>UL</b>	natural maple <input type="checkbox"/>	+\$260

Top Finish		
<i>For 30" deep x 72" wide (88R) with veneer top with vinyl edge (C)</i>		
<b>CHD</b>	noble cherry <input type="checkbox"/>	+\$265
<b>WHN</b>	natural white oak <input type="checkbox"/>	+\$0
<b>2U</b>	light brown walnut <input type="checkbox"/>	+\$265
<b>40</b>	dark brown walnut <input type="checkbox"/>	+\$265
<b>9N</b>	santos palisander <input type="checkbox"/>	+\$1009
<b>A2</b>	white ash <input type="checkbox"/>	+\$265
<b>EN</b>	ebony <input type="checkbox"/>	+\$265
<b>OU</b>	walnut <input type="checkbox"/>	+\$265
<b>UL</b>	natural maple <input type="checkbox"/>	+\$265

Top Finish		
<i>For 36" deep x 60" wide (42R) with veneer top with vinyl edge (C)</i>		
<b>CHD</b>	noble cherry <input type="checkbox"/>	+\$265
<b>WHN</b>	natural white oak <input type="checkbox"/>	+\$0
<b>2U</b>	light brown walnut <input type="checkbox"/>	+\$265
<b>40</b>	dark brown walnut <input type="checkbox"/>	+\$265
<b>9N</b>	santos palisander <input type="checkbox"/>	+\$1009
<b>A2</b>	white ash <input type="checkbox"/>	+\$265
<b>EN</b>	ebony <input type="checkbox"/>	+\$265
<b>OU</b>	walnut <input type="checkbox"/>	+\$265
<b>UL</b>	natural maple <input type="checkbox"/>	+\$265

Top Finish		
<i>For 36" deep x 66" wide (27R) with veneer top with vinyl edge (C)</i>		
<b>CHD</b>	noble cherry <input type="checkbox"/>	+\$280
<b>WHN</b>	natural white oak <input type="checkbox"/>	+\$0
<b>2U</b>	light brown walnut <input type="checkbox"/>	+\$280
<b>40</b>	dark brown walnut <input type="checkbox"/>	+\$280
<b>9N</b>	santos palisander <input type="checkbox"/>	+\$1104
<b>A2</b>	white ash <input type="checkbox"/>	+\$280
<b>EN</b>	ebony <input type="checkbox"/>	+\$280
<b>OU</b>	walnut <input type="checkbox"/>	+\$280
<b>UL</b>	natural maple <input type="checkbox"/>	+\$280

Top Finish		
<i>For 36" deep x 72" wide (43R) with veneer top with vinyl edge (C)</i>		
<b>CHD</b>	noble cherry <input type="checkbox"/>	+\$290
<b>WHN</b>	natural white oak <input type="checkbox"/>	+\$0
<b>2U</b>	light brown walnut <input type="checkbox"/>	+\$290
<b>40</b>	dark brown walnut <input type="checkbox"/>	+\$290
<b>9N</b>	santos palisander <input type="checkbox"/>	+\$1160
<b>A2</b>	white ash <input type="checkbox"/>	+\$290
<b>EN</b>	ebony <input type="checkbox"/>	+\$290
<b>OU</b>	walnut <input type="checkbox"/>	+\$290
<b>UL</b>	natural maple <input type="checkbox"/>	+\$290

Top Finish		
<i>For 36" deep x 78" wide (28R) with veneer top with vinyl edge (C)</i>		
<b>CHD</b>	noble cherry <input type="checkbox"/>	+\$295
<b>WHN</b>	natural white oak <input type="checkbox"/>	+\$0
<b>2U</b>	light brown walnut <input type="checkbox"/>	+\$295
<b>40</b>	dark brown walnut <input type="checkbox"/>	+\$295
<b>9N</b>	santos palisander <input type="checkbox"/>	+\$1170
<b>A2</b>	white ash <input type="checkbox"/>	+\$295
<b>EN</b>	ebony <input type="checkbox"/>	+\$295
<b>OU</b>	walnut <input type="checkbox"/>	+\$295
<b>UL</b>	natural maple <input type="checkbox"/>	+\$295

Top Finish		
<i>For 36" deep x 84" wide (44R) with veneer top with vinyl edge (C)</i>		
<b>CHD</b>	noble cherry <input type="checkbox"/>	+\$305
<b>WHN</b>	natural white oak <input type="checkbox"/>	+\$0
<b>2U</b>	light brown walnut <input type="checkbox"/>	+\$305
<b>40</b>	dark brown walnut <input type="checkbox"/>	+\$305
<b>9N</b>	santos palisander <input type="checkbox"/>	+\$1220
<b>A2</b>	white ash <input type="checkbox"/>	+\$305
<b>EN</b>	ebony <input type="checkbox"/>	+\$305
<b>OU</b>	walnut <input type="checkbox"/>	+\$305
<b>UL</b>	natural maple <input type="checkbox"/>	+\$305

Top Finish		
<i>For 42" deep x 60" wide (29R) with veneer top with vinyl edge (C)</i>		
<b>CHD</b>	noble cherry <input type="checkbox"/>	+\$290
<b>WHN</b>	natural white oak <input type="checkbox"/>	+\$0
<b>2U</b>	light brown walnut <input type="checkbox"/>	+\$290
<b>40</b>	dark brown walnut <input type="checkbox"/>	+\$290
<b>9N</b>	santos palisander <input type="checkbox"/>	+\$1160
<b>A2</b>	white ash <input type="checkbox"/>	+\$290
<b>EN</b>	ebony <input type="checkbox"/>	+\$290
<b>OU</b>	walnut <input type="checkbox"/>	+\$290
<b>UL</b>	natural maple <input type="checkbox"/>	+\$290



Eames® Contract Base, T-Leg  
Table, Rectangular *continued*

Top Finish		
<i>For 42" deep x 66" wide (50R) with veneer top with vinyl edge (C)</i>		
<b>CHD</b>	noble cherry <input type="checkbox"/>	+\$290
<b>WHN</b>	natural white oak <input type="checkbox"/>	+\$0
<b>2U</b>	light brown walnut <input type="checkbox"/>	+\$290
<b>40</b>	dark brown walnut <input type="checkbox"/>	+\$290
<b>9N</b>	santos palisander <input type="checkbox"/>	+\$1160
<b>A2</b>	white ash <input type="checkbox"/>	+\$290
<b>EN</b>	ebony <input type="checkbox"/>	+\$290
<b>OU</b>	walnut <input type="checkbox"/>	+\$290
<b>UL</b>	natural maple <input type="checkbox"/>	+\$290

Top Finish		
<i>For 42" deep x 72" wide (51R) with veneer top with vinyl edge (C)</i>		
<b>CHD</b>	noble cherry <input type="checkbox"/>	+\$305
<b>WHN</b>	natural white oak <input type="checkbox"/>	+\$0
<b>2U</b>	light brown walnut <input type="checkbox"/>	+\$305
<b>40</b>	dark brown walnut <input type="checkbox"/>	+\$305
<b>9N</b>	santos palisander <input type="checkbox"/>	+\$1220
<b>A2</b>	white ash <input type="checkbox"/>	+\$305
<b>EN</b>	ebony <input type="checkbox"/>	+\$305
<b>OU</b>	walnut <input type="checkbox"/>	+\$305
<b>UL</b>	natural maple <input type="checkbox"/>	+\$305

Top Finish		
<i>For 42" deep x 78" wide (52R) with veneer top with vinyl edge (C)</i>		
<b>CHD</b>	noble cherry <input type="checkbox"/>	+\$330
<b>WHN</b>	natural white oak <input type="checkbox"/>	+\$0
<b>2U</b>	light brown walnut <input type="checkbox"/>	+\$330
<b>40</b>	dark brown walnut <input type="checkbox"/>	+\$330
<b>9N</b>	santos palisander <input type="checkbox"/>	+\$1320
<b>A2</b>	white ash <input type="checkbox"/>	+\$330
<b>EN</b>	ebony <input type="checkbox"/>	+\$330
<b>OU</b>	walnut <input type="checkbox"/>	+\$330
<b>UL</b>	natural maple <input type="checkbox"/>	+\$330

Top Finish		
<i>For 42" deep x 84" wide (45R) with veneer top with vinyl edge (C)</i>		
<b>CHD</b>	noble cherry <input type="checkbox"/>	+\$330
<b>WHN</b>	natural white oak <input type="checkbox"/>	+\$0
<b>2U</b>	light brown walnut <input type="checkbox"/>	+\$330
<b>40</b>	dark brown walnut <input type="checkbox"/>	+\$330
<b>9N</b>	santos palisander <input type="checkbox"/>	+\$1320
<b>A2</b>	white ash <input type="checkbox"/>	+\$330
<b>EN</b>	ebony <input type="checkbox"/>	+\$330
<b>OU</b>	walnut <input type="checkbox"/>	+\$330
<b>UL</b>	natural maple <input type="checkbox"/>	+\$330

Top Finish		
<i>For 42" deep x 96" wide (30R) with veneer top with vinyl edge (C)</i>		
<b>CHD</b>	noble cherry <input type="checkbox"/>	+\$385
<b>WHN</b>	natural white oak <input type="checkbox"/>	+\$0
<b>2U</b>	light brown walnut <input type="checkbox"/>	+\$385
<b>40</b>	dark brown walnut <input type="checkbox"/>	+\$385
<b>9N</b>	santos palisander <input type="checkbox"/>	+\$1656
<b>A2</b>	white ash <input type="checkbox"/>	+\$385
<b>EN</b>	ebony <input type="checkbox"/>	+\$385
<b>OU</b>	walnut <input type="checkbox"/>	+\$385
<b>UL</b>	natural maple <input type="checkbox"/>	+\$385

Top Finish		
<i>For 48" deep x 60" wide (31R) with veneer top with vinyl edge (C)</i>		
<b>CHD</b>	noble cherry <input type="checkbox"/>	+\$305
<b>WHN</b>	natural white oak <input type="checkbox"/>	+\$0
<b>2U</b>	light brown walnut <input type="checkbox"/>	+\$305
<b>40</b>	dark brown walnut <input type="checkbox"/>	+\$305
<b>9N</b>	santos palisander <input type="checkbox"/>	+\$1220
<b>A2</b>	white ash <input type="checkbox"/>	+\$305
<b>EN</b>	ebony <input type="checkbox"/>	+\$305
<b>OU</b>	walnut <input type="checkbox"/>	+\$305
<b>UL</b>	natural maple <input type="checkbox"/>	+\$305

Top Finish		
<i>For 48" deep x 66" wide (32R) with veneer top with vinyl edge (C)</i>		
<b>CHD</b>	noble cherry <input type="checkbox"/>	+\$330
<b>WHN</b>	natural white oak <input type="checkbox"/>	+\$0
<b>2U</b>	light brown walnut <input type="checkbox"/>	+\$330
<b>40</b>	dark brown walnut <input type="checkbox"/>	+\$330
<b>9N</b>	santos palisander <input type="checkbox"/>	+\$1320
<b>A2</b>	white ash <input type="checkbox"/>	+\$330
<b>EN</b>	ebony <input type="checkbox"/>	+\$330
<b>OU</b>	walnut <input type="checkbox"/>	+\$330
<b>UL</b>	natural maple <input type="checkbox"/>	+\$330

Top Finish		
<i>For 48" deep x 72" wide (33R) with veneer top with vinyl edge (C)</i>		
<b>CHD</b>	noble cherry <input type="checkbox"/>	+\$330
<b>WHN</b>	natural white oak <input type="checkbox"/>	+\$0
<b>2U</b>	light brown walnut <input type="checkbox"/>	+\$330
<b>40</b>	dark brown walnut <input type="checkbox"/>	+\$330
<b>9N</b>	santos palisander <input type="checkbox"/>	+\$1320
<b>A2</b>	white ash <input type="checkbox"/>	+\$330
<b>EN</b>	ebony <input type="checkbox"/>	+\$330
<b>OU</b>	walnut <input type="checkbox"/>	+\$330
<b>UL</b>	natural maple <input type="checkbox"/>	+\$330

Eames® Contract Base, T-Leg  
Table, Rectangular *continued*

Eames® Tables

Top Finish		
<i>For 48" deep x 78" wide (34R) with veneer top with vinyl edge (C)</i>		
<b>CHD</b>	noble cherry <span style="border: 1px solid black; padding: 0 2px;">A</span>	+\$330
<b>WHN</b>	natural white oak <span style="border: 1px solid black; padding: 0 2px;">A</span>	+\$0
<b>2U</b>	light brown walnut <span style="border: 1px solid black; padding: 0 2px;">A</span>	+\$330
<b>40</b>	dark brown walnut <span style="border: 1px solid black; padding: 0 2px;">A</span>	+\$330
<b>9N</b>	santos palisander <span style="border: 1px solid black; padding: 0 2px;">A</span>	+\$1320
<b>A2</b>	white ash <span style="border: 1px solid black; padding: 0 2px;">A</span>	+\$330
<b>EN</b>	ebony <span style="border: 1px solid black; padding: 0 2px;">A</span>	+\$330
<b>OU</b>	walnut <span style="border: 1px solid black; padding: 0 2px;">A</span>	+\$330
<b>UL</b>	natural maple <span style="border: 1px solid black; padding: 0 2px;">A</span>	+\$330

Top Finish		
<i>For 48" deep x 84" wide (54R) with veneer top with vinyl edge (C)</i>		
<b>CHD</b>	noble cherry <span style="border: 1px solid black; padding: 0 2px;">A</span>	+\$385
<b>WHN</b>	natural white oak <span style="border: 1px solid black; padding: 0 2px;">A</span>	+\$0
<b>2U</b>	light brown walnut <span style="border: 1px solid black; padding: 0 2px;">A</span>	+\$385
<b>40</b>	dark brown walnut <span style="border: 1px solid black; padding: 0 2px;">A</span>	+\$385
<b>9N</b>	santos palisander <span style="border: 1px solid black; padding: 0 2px;">A</span>	+\$1656
<b>A2</b>	white ash <span style="border: 1px solid black; padding: 0 2px;">A</span>	+\$385
<b>EN</b>	ebony <span style="border: 1px solid black; padding: 0 2px;">A</span>	+\$385
<b>OU</b>	walnut <span style="border: 1px solid black; padding: 0 2px;">A</span>	+\$385
<b>UL</b>	natural maple <span style="border: 1px solid black; padding: 0 2px;">A</span>	+\$385

Top Finish		
<i>For 48" deep x 96" wide (47R) with veneer top with vinyl edge (C)</i>		
<b>CHD</b>	noble cherry <span style="border: 1px solid black; padding: 0 2px;">A</span>	+\$385
<b>WHN</b>	natural white oak <span style="border: 1px solid black; padding: 0 2px;">A</span>	+\$0
<b>2U</b>	light brown walnut <span style="border: 1px solid black; padding: 0 2px;">A</span>	+\$385
<b>40</b>	dark brown walnut <span style="border: 1px solid black; padding: 0 2px;">A</span>	+\$385
<b>9N</b>	santos palisander <span style="border: 1px solid black; padding: 0 2px;">A</span>	+\$1656
<b>A2</b>	white ash <span style="border: 1px solid black; padding: 0 2px;">A</span>	+\$385
<b>EN</b>	ebony <span style="border: 1px solid black; padding: 0 2px;">A</span>	+\$385
<b>OU</b>	walnut <span style="border: 1px solid black; padding: 0 2px;">A</span>	+\$385
<b>UL</b>	natural maple <span style="border: 1px solid black; padding: 0 2px;">A</span>	+\$385

Top Finish		
<i>For 24" deep x 42" wide (21R) with solid wood top (SW)</i>		
<b>OU</b>	walnut <span style="border: 1px solid black; padding: 0 2px;">A</span>	+\$375
<b>WHN</b>	natural white oak <span style="border: 1px solid black; padding: 0 2px;">A</span>	+\$0

Top Finish		
<i>For 24" deep x 48" wide (22R) with solid wood top (SW)</i>		
<b>OU</b>	walnut <span style="border: 1px solid black; padding: 0 2px;">A</span>	+\$425
<b>WHN</b>	natural white oak <span style="border: 1px solid black; padding: 0 2px;">A</span>	+\$0

Top Finish		
<i>For 24" deep x 60" wide (23R) with solid wood top (SW)</i>		
<b>OU</b>	walnut <span style="border: 1px solid black; padding: 0 2px;">A</span>	+\$515
<b>WHN</b>	natural white oak <span style="border: 1px solid black; padding: 0 2px;">A</span>	+\$0

Top Finish		
<i>For 24" deep x 66" wide (24R) with solid wood top (SW)</i>		
<b>OU</b>	walnut <span style="border: 1px solid black; padding: 0 2px;">A</span>	+\$565
<b>WHN</b>	natural white oak <span style="border: 1px solid black; padding: 0 2px;">A</span>	+\$0

Top Finish		
<i>For 24" deep x 72" wide (25R) with solid wood top (SW)</i>		
<b>OU</b>	walnut <span style="border: 1px solid black; padding: 0 2px;">A</span>	+\$610
<b>WHN</b>	natural white oak <span style="border: 1px solid black; padding: 0 2px;">A</span>	+\$0

Top Finish		
<i>For 30" deep x 60" wide (87R) with solid wood top (SW)</i>		
<b>OU</b>	walnut <span style="border: 1px solid black; padding: 0 2px;">A</span>	+\$575
<b>WHN</b>	natural white oak <span style="border: 1px solid black; padding: 0 2px;">A</span>	+\$0

Top Finish		
<i>For 30" deep x 66" wide (26R) with solid wood top (SW)</i>		
<b>OU</b>	walnut <span style="border: 1px solid black; padding: 0 2px;">A</span>	+\$625
<b>WHN</b>	natural white oak <span style="border: 1px solid black; padding: 0 2px;">A</span>	+\$0

Top Finish		
<i>For 30" deep x 72" wide (88R) with solid wood top (SW)</i>		
<b>OU</b>	walnut <span style="border: 1px solid black; padding: 0 2px;">A</span>	+\$675
<b>WHN</b>	natural white oak <span style="border: 1px solid black; padding: 0 2px;">A</span>	+\$0

Top Finish		
<i>For 36" deep x 60" wide (42R) with solid wood top (SW)</i>		
<b>OU</b>	walnut <span style="border: 1px solid black; padding: 0 2px;">A</span>	+\$700
<b>WHN</b>	natural white oak <span style="border: 1px solid black; padding: 0 2px;">A</span>	+\$0

Top Finish		
<i>For 36" deep x 66" wide (27R) with solid wood top (SW)</i>		
<b>OU</b>	walnut <span style="border: 1px solid black; padding: 0 2px;">A</span>	+\$750
<b>WHN</b>	natural white oak <span style="border: 1px solid black; padding: 0 2px;">A</span>	+\$0

Top Finish		
<i>For 36" deep x 72" wide (43R) with solid wood top (SW)</i>		
<b>OU</b>	walnut <span style="border: 1px solid black; padding: 0 2px;">A</span>	+\$815
<b>WHN</b>	natural white oak <span style="border: 1px solid black; padding: 0 2px;">A</span>	+\$0

Eames® Contract Base, T-Leg  
Table, Rectangular *continued*

Top/Edge Finish		
<i>For 24" deep x 42" wide (21R) with veneer top with veneer edge (W)</i>		
<b>CHD</b>	noble cherry <input type="checkbox"/>	+\$140
<b>WHN</b>	natural white oak <input type="checkbox"/>	+\$0
<b>2U</b>	light brown walnut <input type="checkbox"/>	+\$140
<b>40</b>	dark brown walnut <input type="checkbox"/>	+\$140
<b>9N</b>	santos palisander <input type="checkbox"/>	+\$850
<b>A2</b>	white ash <input type="checkbox"/>	+\$140
<b>EN</b>	ebony <input type="checkbox"/>	+\$140
<b>OU</b>	walnut <input type="checkbox"/>	+\$140
<b>UL</b>	natural maple <input type="checkbox"/>	+\$140

Top/Edge Finish		
<i>For 24" deep x 48" wide (22R) with veneer top with veneer edge (W)</i>		
<b>CHD</b>	noble cherry <input type="checkbox"/>	+\$160
<b>WHN</b>	natural white oak <input type="checkbox"/>	+\$0
<b>2U</b>	light brown walnut <input type="checkbox"/>	+\$160
<b>40</b>	dark brown walnut <input type="checkbox"/>	+\$160
<b>9N</b>	santos palisander <input type="checkbox"/>	+\$860
<b>A2</b>	white ash <input type="checkbox"/>	+\$160
<b>EN</b>	ebony <input type="checkbox"/>	+\$160
<b>OU</b>	walnut <input type="checkbox"/>	+\$160
<b>UL</b>	natural maple <input type="checkbox"/>	+\$160

Top/Edge Finish		
<i>For 24" deep x 60" wide (23R) with veneer top with veneer edge (W)</i>		
<b>CHD</b>	noble cherry <input type="checkbox"/>	+\$200
<b>WHN</b>	natural white oak <input type="checkbox"/>	+\$0
<b>2U</b>	light brown walnut <input type="checkbox"/>	+\$200
<b>40</b>	dark brown walnut <input type="checkbox"/>	+\$200
<b>9N</b>	santos palisander <input type="checkbox"/>	+\$890
<b>A2</b>	white ash <input type="checkbox"/>	+\$200
<b>EN</b>	ebony <input type="checkbox"/>	+\$200
<b>OU</b>	walnut <input type="checkbox"/>	+\$200
<b>UL</b>	natural maple <input type="checkbox"/>	+\$200

Top/Edge Finish		
<i>For 24" deep x 66" wide (24R) with veneer top with veneer edge (W)</i>		
<b>CHD</b>	noble cherry <input type="checkbox"/>	+\$220
<b>WHN</b>	natural white oak <input type="checkbox"/>	+\$0
<b>2U</b>	light brown walnut <input type="checkbox"/>	+\$220
<b>40</b>	dark brown walnut <input type="checkbox"/>	+\$220
<b>9N</b>	santos palisander <input type="checkbox"/>	+\$910
<b>A2</b>	white ash <input type="checkbox"/>	+\$220
<b>EN</b>	ebony <input type="checkbox"/>	+\$220
<b>OU</b>	walnut <input type="checkbox"/>	+\$220
<b>UL</b>	natural maple <input type="checkbox"/>	+\$220

Top/Edge Finish		
<i>For 24" deep x 72" wide (25R) with veneer top with veneer edge (W)</i>		
<b>CHD</b>	noble cherry <input type="checkbox"/>	+\$240
<b>WHN</b>	natural white oak <input type="checkbox"/>	+\$0
<b>2U</b>	light brown walnut <input type="checkbox"/>	+\$240
<b>40</b>	dark brown walnut <input type="checkbox"/>	+\$240
<b>9N</b>	santos palisander <input type="checkbox"/>	+\$930
<b>A2</b>	white ash <input type="checkbox"/>	+\$240
<b>EN</b>	ebony <input type="checkbox"/>	+\$240
<b>OU</b>	walnut <input type="checkbox"/>	+\$240
<b>UL</b>	natural maple <input type="checkbox"/>	+\$240

Top/Edge Finish		
<i>For 30" deep x 60" wide (87R) with veneer top with veneer edge (W)</i>		
<b>CHD</b>	noble cherry <input type="checkbox"/>	+\$250
<b>WHN</b>	natural white oak <input type="checkbox"/>	+\$0
<b>2U</b>	light brown walnut <input type="checkbox"/>	+\$250
<b>40</b>	dark brown walnut <input type="checkbox"/>	+\$250
<b>9N</b>	santos palisander <input type="checkbox"/>	+\$950
<b>A2</b>	white ash <input type="checkbox"/>	+\$250
<b>EN</b>	ebony <input type="checkbox"/>	+\$250
<b>OU</b>	walnut <input type="checkbox"/>	+\$250
<b>UL</b>	natural maple <input type="checkbox"/>	+\$250

Top/Edge Finish		
<i>For 30" deep x 66" wide (26R) with veneer top with veneer edge (W)</i>		
<b>CHD</b>	noble cherry <input type="checkbox"/>	+\$260
<b>WHN</b>	natural white oak <input type="checkbox"/>	+\$0
<b>2U</b>	light brown walnut <input type="checkbox"/>	+\$260
<b>40</b>	dark brown walnut <input type="checkbox"/>	+\$260
<b>9N</b>	santos palisander <input type="checkbox"/>	+\$980
<b>A2</b>	white ash <input type="checkbox"/>	+\$260
<b>EN</b>	ebony <input type="checkbox"/>	+\$260
<b>OU</b>	walnut <input type="checkbox"/>	+\$260
<b>UL</b>	natural maple <input type="checkbox"/>	+\$260

Top/Edge Finish		
<i>For 30" deep x 72" wide (88R) with veneer top with veneer edge (W)</i>		
<b>CHD</b>	noble cherry <input type="checkbox"/>	+\$265
<b>WHN</b>	natural white oak <input type="checkbox"/>	+\$0
<b>2U</b>	light brown walnut <input type="checkbox"/>	+\$265
<b>40</b>	dark brown walnut <input type="checkbox"/>	+\$265
<b>9N</b>	santos palisander <input type="checkbox"/>	+\$1009
<b>A2</b>	white ash <input type="checkbox"/>	+\$265
<b>EN</b>	ebony <input type="checkbox"/>	+\$265
<b>OU</b>	walnut <input type="checkbox"/>	+\$265
<b>UL</b>	natural maple <input type="checkbox"/>	+\$265

Eames® Contract Base, T-Leg  
Table, Rectangular *continued*

Eames® Tables

Top/Edge Finish		
<i>For 36" deep x 60" wide (42R) with veneer top with veneer edge (W)</i>		
<b>CHD</b>	noble cherry <span style="border: 1px solid black; padding: 0 2px;">A</span>	+\$265
<b>WHN</b>	natural white oak <span style="border: 1px solid black; padding: 0 2px;">A</span>	+\$0
<b>2U</b>	light brown walnut <span style="border: 1px solid black; padding: 0 2px;">A</span>	+\$265
<b>40</b>	dark brown walnut <span style="border: 1px solid black; padding: 0 2px;">A</span>	+\$265
<b>9N</b>	santos palisander <span style="border: 1px solid black; padding: 0 2px;">A</span>	+\$1009
<b>A2</b>	white ash <span style="border: 1px solid black; padding: 0 2px;">A</span>	+\$265
<b>EN</b>	ebony <span style="border: 1px solid black; padding: 0 2px;">A</span>	+\$265
<b>OU</b>	walnut <span style="border: 1px solid black; padding: 0 2px;">A</span>	+\$265
<b>UL</b>	natural maple <span style="border: 1px solid black; padding: 0 2px;">A</span>	+\$265

Top/Edge Finish		
<i>For 36" deep x 66" wide (27R) with veneer top with veneer edge (W)</i>		
<b>2U</b>	light brown walnut <span style="border: 1px solid black; padding: 0 2px;">A</span>	+\$280
<b>40</b>	dark brown walnut <span style="border: 1px solid black; padding: 0 2px;">A</span>	+\$280
<b>9N</b>	santos palisander <span style="border: 1px solid black; padding: 0 2px;">A</span>	+\$1104
<b>A2</b>	white ash <span style="border: 1px solid black; padding: 0 2px;">A</span>	+\$280
<b>CHD</b>	noble cherry <span style="border: 1px solid black; padding: 0 2px;">A</span>	+\$280
<b>EN</b>	ebony <span style="border: 1px solid black; padding: 0 2px;">A</span>	+\$280
<b>OU</b>	walnut <span style="border: 1px solid black; padding: 0 2px;">A</span>	+\$280
<b>UL</b>	natural maple <span style="border: 1px solid black; padding: 0 2px;">A</span>	+\$280
<b>WHN</b>	natural white oak <span style="border: 1px solid black; padding: 0 2px;">A</span>	+\$0

Top/Edge Finish		
<i>For 36" deep x 72" wide (43R) with veneer top with veneer edge (W)</i>		
<b>2U</b>	light brown walnut <span style="border: 1px solid black; padding: 0 2px;">A</span>	+\$290
<b>40</b>	dark brown walnut <span style="border: 1px solid black; padding: 0 2px;">A</span>	+\$290
<b>9N</b>	santos palisander <span style="border: 1px solid black; padding: 0 2px;">A</span>	+\$1160
<b>A2</b>	white ash <span style="border: 1px solid black; padding: 0 2px;">A</span>	+\$290
<b>CHD</b>	noble cherry <span style="border: 1px solid black; padding: 0 2px;">A</span>	+\$290
<b>EN</b>	ebony <span style="border: 1px solid black; padding: 0 2px;">A</span>	+\$290
<b>OU</b>	walnut <span style="border: 1px solid black; padding: 0 2px;">A</span>	+\$290
<b>UL</b>	natural maple <span style="border: 1px solid black; padding: 0 2px;">A</span>	+\$290
<b>WHN</b>	natural white oak <span style="border: 1px solid black; padding: 0 2px;">A</span>	+\$0

Top/Edge Finish		
<i>For 36" deep x 78" wide (28R) with veneer top with veneer edge (W)</i>		
<b>2U</b>	light brown walnut <span style="border: 1px solid black; padding: 0 2px;">A</span>	+\$295
<b>40</b>	dark brown walnut <span style="border: 1px solid black; padding: 0 2px;">A</span>	+\$295
<b>9N</b>	santos palisander <span style="border: 1px solid black; padding: 0 2px;">A</span>	+\$1170
<b>A2</b>	white ash <span style="border: 1px solid black; padding: 0 2px;">A</span>	+\$295
<b>CHD</b>	noble cherry <span style="border: 1px solid black; padding: 0 2px;">A</span>	+\$295
<b>EN</b>	ebony <span style="border: 1px solid black; padding: 0 2px;">A</span>	+\$295
<b>OU</b>	walnut <span style="border: 1px solid black; padding: 0 2px;">A</span>	+\$295
<b>UL</b>	natural maple <span style="border: 1px solid black; padding: 0 2px;">A</span>	+\$295
<b>WHN</b>	natural white oak <span style="border: 1px solid black; padding: 0 2px;">A</span>	+\$0

Top/Edge Finish		
<i>For 36" deep x 84" wide (44R) with veneer top with veneer edge (W)</i>		
<b>2U</b>	light brown walnut <span style="border: 1px solid black; padding: 0 2px;">A</span>	+\$305
<b>40</b>	dark brown walnut <span style="border: 1px solid black; padding: 0 2px;">A</span>	+\$305
<b>9N</b>	santos palisander <span style="border: 1px solid black; padding: 0 2px;">A</span>	+\$1220
<b>A2</b>	white ash <span style="border: 1px solid black; padding: 0 2px;">A</span>	+\$305
<b>CHD</b>	noble cherry <span style="border: 1px solid black; padding: 0 2px;">A</span>	+\$305
<b>EN</b>	ebony <span style="border: 1px solid black; padding: 0 2px;">A</span>	+\$305
<b>OU</b>	walnut <span style="border: 1px solid black; padding: 0 2px;">A</span>	+\$305
<b>UL</b>	natural maple <span style="border: 1px solid black; padding: 0 2px;">A</span>	+\$305
<b>WHN</b>	natural white oak <span style="border: 1px solid black; padding: 0 2px;">A</span>	+\$0

Top/Edge Finish		
<i>For 42" deep x 60" wide (29R) with veneer top with veneer edge (W)</i>		
<b>2U</b>	light brown walnut <span style="border: 1px solid black; padding: 0 2px;">A</span>	+\$290
<b>40</b>	dark brown walnut <span style="border: 1px solid black; padding: 0 2px;">A</span>	+\$290
<b>9N</b>	santos palisander <span style="border: 1px solid black; padding: 0 2px;">A</span>	+\$1160
<b>A2</b>	white ash <span style="border: 1px solid black; padding: 0 2px;">A</span>	+\$290
<b>CHD</b>	noble cherry <span style="border: 1px solid black; padding: 0 2px;">A</span>	+\$290
<b>EN</b>	ebony <span style="border: 1px solid black; padding: 0 2px;">A</span>	+\$290
<b>OU</b>	walnut <span style="border: 1px solid black; padding: 0 2px;">A</span>	+\$290
<b>UL</b>	natural maple <span style="border: 1px solid black; padding: 0 2px;">A</span>	+\$290
<b>WHN</b>	natural white oak <span style="border: 1px solid black; padding: 0 2px;">A</span>	+\$0

Top/Edge Finish		
<i>For 42" deep x 66" wide (50R) with veneer top with veneer edge (W)</i>		
<b>2U</b>	light brown walnut <span style="border: 1px solid black; padding: 0 2px;">A</span>	+\$290
<b>40</b>	dark brown walnut <span style="border: 1px solid black; padding: 0 2px;">A</span>	+\$290
<b>9N</b>	santos palisander <span style="border: 1px solid black; padding: 0 2px;">A</span>	+\$1160
<b>A2</b>	white ash <span style="border: 1px solid black; padding: 0 2px;">A</span>	+\$290
<b>CHD</b>	noble cherry <span style="border: 1px solid black; padding: 0 2px;">A</span>	+\$290
<b>EN</b>	ebony <span style="border: 1px solid black; padding: 0 2px;">A</span>	+\$290
<b>OU</b>	walnut <span style="border: 1px solid black; padding: 0 2px;">A</span>	+\$290
<b>UL</b>	natural maple <span style="border: 1px solid black; padding: 0 2px;">A</span>	+\$290
<b>WHN</b>	natural white oak <span style="border: 1px solid black; padding: 0 2px;">A</span>	+\$0

Top/Edge Finish		
<i>For 42" deep x 72" wide (51R) with veneer top with veneer edge (W)</i>		
<b>2U</b>	light brown walnut <span style="border: 1px solid black; padding: 0 2px;">A</span>	+\$305
<b>40</b>	dark brown walnut <span style="border: 1px solid black; padding: 0 2px;">A</span>	+\$305
<b>9N</b>	santos palisander <span style="border: 1px solid black; padding: 0 2px;">A</span>	+\$1220
<b>A2</b>	white ash <span style="border: 1px solid black; padding: 0 2px;">A</span>	+\$305
<b>CHD</b>	noble cherry <span style="border: 1px solid black; padding: 0 2px;">A</span>	+\$305
<b>EN</b>	ebony <span style="border: 1px solid black; padding: 0 2px;">A</span>	+\$305
<b>OU</b>	walnut <span style="border: 1px solid black; padding: 0 2px;">A</span>	+\$305
<b>UL</b>	natural maple <span style="border: 1px solid black; padding: 0 2px;">A</span>	+\$305
<b>WHN</b>	natural white oak <span style="border: 1px solid black; padding: 0 2px;">A</span>	+\$0

Eames® Contract Base, T-Leg  
Table, Rectangular *continued*

Top/Edge Finish		
<i>For 42" deep x 78" wide (52R) with veneer top with veneer edge (W)</i>		
<b>CHD</b>	noble cherry <input type="checkbox"/>	+\$330
<b>WHN</b>	natural white oak <input type="checkbox"/>	+\$0
<b>2U</b>	light brown walnut <input type="checkbox"/>	+\$330
<b>40</b>	dark brown walnut <input type="checkbox"/>	+\$330
<b>9N</b>	santos palisander <input type="checkbox"/>	+\$1320
<b>A2</b>	white ash <input type="checkbox"/>	+\$330
<b>EN</b>	ebony <input type="checkbox"/>	+\$330
<b>OU</b>	walnut <input type="checkbox"/>	+\$330
<b>UL</b>	natural maple <input type="checkbox"/>	+\$330

Top/Edge Finish		
<i>For 42" deep x 84" wide (45R) with veneer top with veneer edge (W)</i>		
<b>CHD</b>	noble cherry <input type="checkbox"/>	+\$330
<b>WHN</b>	natural white oak <input type="checkbox"/>	+\$0
<b>2U</b>	light brown walnut <input type="checkbox"/>	+\$330
<b>40</b>	dark brown walnut <input type="checkbox"/>	+\$330
<b>9N</b>	santos palisander <input type="checkbox"/>	+\$1320
<b>A2</b>	white ash <input type="checkbox"/>	+\$330
<b>EN</b>	ebony <input type="checkbox"/>	+\$330
<b>OU</b>	walnut <input type="checkbox"/>	+\$330
<b>UL</b>	natural maple <input type="checkbox"/>	+\$330

Top/Edge Finish		
<i>For 42" deep x 96" wide (30R) with veneer top with veneer edge (W)</i>		
<b>CHD</b>	noble cherry <input type="checkbox"/>	+\$385
<b>WHN</b>	natural white oak <input type="checkbox"/>	+\$0
<b>2U</b>	light brown walnut <input type="checkbox"/>	+\$385
<b>40</b>	dark brown walnut <input type="checkbox"/>	+\$385
<b>9N</b>	santos palisander <input type="checkbox"/>	+\$1656
<b>A2</b>	white ash <input type="checkbox"/>	+\$385
<b>EN</b>	ebony <input type="checkbox"/>	+\$385
<b>OU</b>	walnut <input type="checkbox"/>	+\$385
<b>UL</b>	natural maple <input type="checkbox"/>	+\$385

Top/Edge Finish		
<i>For 48" deep x 60" wide (31R) with veneer top with veneer edge (W)</i>		
<b>CHD</b>	noble cherry <input type="checkbox"/>	+\$305
<b>WHN</b>	natural white oak <input type="checkbox"/>	+\$0
<b>2U</b>	light brown walnut <input type="checkbox"/>	+\$305
<b>40</b>	dark brown walnut <input type="checkbox"/>	+\$305
<b>9N</b>	santos palisander <input type="checkbox"/>	+\$1220
<b>A2</b>	white ash <input type="checkbox"/>	+\$305
<b>EN</b>	ebony <input type="checkbox"/>	+\$305
<b>OU</b>	walnut <input type="checkbox"/>	+\$305
<b>UL</b>	natural maple <input type="checkbox"/>	+\$305

Top/Edge Finish		
<i>For 48" deep x 66" wide (32R) with veneer top with veneer edge (W)</i>		
<b>CHD</b>	noble cherry <input type="checkbox"/>	+\$330
<b>WHN</b>	natural white oak <input type="checkbox"/>	+\$0
<b>2U</b>	light brown walnut <input type="checkbox"/>	+\$330
<b>40</b>	dark brown walnut <input type="checkbox"/>	+\$330
<b>9N</b>	santos palisander <input type="checkbox"/>	+\$1320
<b>A2</b>	white ash <input type="checkbox"/>	+\$330
<b>EN</b>	ebony <input type="checkbox"/>	+\$330
<b>OU</b>	walnut <input type="checkbox"/>	+\$330
<b>UL</b>	natural maple <input type="checkbox"/>	+\$330

Top/Edge Finish		
<i>For 48" deep x 72" wide (33R) with veneer top with veneer edge (W)</i>		
<b>CHD</b>	noble cherry <input type="checkbox"/>	+\$330
<b>WHN</b>	natural white oak <input type="checkbox"/>	+\$0
<b>2U</b>	light brown walnut <input type="checkbox"/>	+\$330
<b>40</b>	dark brown walnut <input type="checkbox"/>	+\$330
<b>9N</b>	santos palisander <input type="checkbox"/>	+\$1320
<b>A2</b>	white ash <input type="checkbox"/>	+\$330
<b>EN</b>	ebony <input type="checkbox"/>	+\$330
<b>OU</b>	walnut <input type="checkbox"/>	+\$330
<b>UL</b>	natural maple <input type="checkbox"/>	+\$330

Top/Edge Finish		
<i>For 48" deep x 78" wide (34R) with veneer top with veneer edge (W)</i>		
<b>CHD</b>	noble cherry <input type="checkbox"/>	+\$330
<b>WHN</b>	natural white oak <input type="checkbox"/>	+\$0
<b>2U</b>	light brown walnut <input type="checkbox"/>	+\$330
<b>40</b>	dark brown walnut <input type="checkbox"/>	+\$330
<b>9N</b>	santos palisander <input type="checkbox"/>	+\$1320
<b>A2</b>	white ash <input type="checkbox"/>	+\$330
<b>EN</b>	ebony <input type="checkbox"/>	+\$330
<b>OU</b>	walnut <input type="checkbox"/>	+\$330
<b>UL</b>	natural maple <input type="checkbox"/>	+\$330

Top/Edge Finish		
<i>For 48" deep x 84" wide (54R) with veneer top with veneer edge (W)</i>		
<b>CHD</b>	noble cherry <input type="checkbox"/>	+\$385
<b>WHN</b>	natural white oak <input type="checkbox"/>	+\$0
<b>2U</b>	light brown walnut <input type="checkbox"/>	+\$385
<b>40</b>	dark brown walnut <input type="checkbox"/>	+\$385
<b>9N</b>	santos palisander <input type="checkbox"/>	+\$1656
<b>A2</b>	white ash <input type="checkbox"/>	+\$385
<b>EN</b>	ebony <input type="checkbox"/>	+\$385
<b>OU</b>	walnut <input type="checkbox"/>	+\$385
<b>UL</b>	natural maple <input type="checkbox"/>	+\$385

# Eames® Contract Base, T-Leg Table, Rectangular *continued*

## Top/Edge Finish

*For 48" deep x 96" wide (47R) with veneer top with veneer edge (W)*

<b>CHD</b>	noble cherry <input type="checkbox"/>	+\$385
<b>WHN</b>	natural white oak <input type="checkbox"/>	+\$0
<b>2U</b>	light brown walnut <input type="checkbox"/>	+\$385
<b>40</b>	dark brown walnut <input type="checkbox"/>	+\$385
<b>9N</b>	santos palisander <input type="checkbox"/>	+\$1656
<b>A2</b>	white ash <input type="checkbox"/>	+\$385
<b>EN</b>	ebony <input type="checkbox"/>	+\$385
<b>OU</b>	walnut <input type="checkbox"/>	+\$385
<b>UL</b>	natural maple <input type="checkbox"/>	+\$385

## Step 8. Edge Finish

*For high-pressure laminate top with vinyl edge (L) or veneer top with vinyl edge (C)*

<b>8Q</b>	folkstone grey <input type="checkbox"/>	+\$0
<b>91</b>	white <input type="checkbox"/>	+\$0
<b>98</b>	studio white <input type="checkbox"/>	+\$0
<b>BK</b>	black <input type="checkbox"/>	+\$0
<b>BU</b>	black umber <input type="checkbox"/>	+\$0
<b>CL</b>	cool grey neutral <input type="checkbox"/>	+\$0
<b>HF</b>	inner tone light <input type="checkbox"/>	+\$0
<b>LT</b>	light tone <input type="checkbox"/>	+\$0
<b>LU</b>	soft white <input type="checkbox"/>	+\$0
<b>SG</b>	slate grey <input type="checkbox"/>	+\$0
<b>WL</b>	sandstone <input type="checkbox"/>	+\$0
<b>WN</b>	warm grey neutral <input type="checkbox"/>	+\$0

## Step 9. Grommet Finish

*For 2 round cutouts, over columns (C2)*

<b>91</b>	white <input type="checkbox"/>	+\$0
<b>BK</b>	black <input type="checkbox"/>	+\$0
<b>PA</b>	polished aluminum <input type="checkbox"/>	+\$0

*For single centered oval cutout (CR) or 2 round cutouts and center oval cutout (CA)*

<b>91</b>	white <input type="checkbox"/>	+\$0
<b>BK</b>	black <input type="checkbox"/>	+\$0
<b>PA</b>	polished aluminum <input type="checkbox"/>	+\$150

## Step 10. Column Finish

<b>91</b>	white <input type="checkbox"/>	+\$0
<b>BK</b>	black <input type="checkbox"/>	+\$0
<b>BU</b>	black umber <input type="checkbox"/>	+\$0
<b>CL</b>	cool grey neutral <input type="checkbox"/>	+\$0
<b>CN</b>	metallic champagne <input type="checkbox"/>	+\$0
<b>EH</b>	metallic bronze <input type="checkbox"/>	+\$0
<b>G2</b>	graphite satin <input type="checkbox"/>	+\$0
<b>HF</b>	inner tone light <input type="checkbox"/>	+\$0
<b>LT</b>	light tone <input type="checkbox"/>	+\$0
<b>LU</b>	soft white <input type="checkbox"/>	+\$0
<b>MS</b>	metallic silver <input type="checkbox"/>	+\$0
<b>MT</b>	medium tone <input type="checkbox"/>	+\$0
<b>SG</b>	slate grey <input type="checkbox"/>	+\$0
<b>WN</b>	warm grey neutral <input type="checkbox"/>	+\$0

## Step 11. Base Finish

<b>91</b>	white <input type="checkbox"/>	+\$0
<b>BK</b>	black <input type="checkbox"/>	+\$0
<b>BU</b>	black umber <input type="checkbox"/>	+\$0
<b>CL</b>	cool grey neutral <input type="checkbox"/>	+\$0
<b>CN</b>	metallic champagne <input type="checkbox"/>	+\$0
<b>EH</b>	metallic bronze <input type="checkbox"/>	+\$0
<b>G2</b>	graphite satin <input type="checkbox"/>	+\$0
<b>HF</b>	inner tone light <input type="checkbox"/>	+\$0
<b>LT</b>	light tone <input type="checkbox"/>	+\$0
<b>LU</b>	soft white <input type="checkbox"/>	+\$0
<b>MS</b>	metallic silver <input type="checkbox"/>	+\$0
<b>MT</b>	medium tone <input type="checkbox"/>	+\$0
<b>PA</b>	polished aluminum <input type="checkbox"/>	+\$0
<b>SG</b>	slate grey <input type="checkbox"/>	+\$0
<b>WN</b>	warm grey neutral <input type="checkbox"/>	+\$0

## Step 12. Casters/Glides

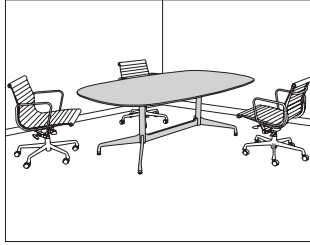
*For 28½" high (1)*

<b>G</b>	glides <input type="checkbox"/>	+\$0
<b>C</b>	casters <input type="checkbox"/>	+\$80

*For 36" high (4) or 42" high (5)*

<b>G</b>	glides <input type="checkbox"/>	+\$0
----------	---------------------------------	------

## Eames® Conference Table, Oval



ET143  
ET144  
ET147  
ET149  
ET150  
ET151  
ET152  
ET153  
ET154

ET155  
ET156  
ET157  
ET158  
ET160  
ET161  
ET162  
ET164  
ET166

ET168  
ET170  
ET171  
ET172  
ET173  
ET174  
ET175  
ET176  
ET177

ET178  
ET187  
ET188  
ET189

### Product Information

#### Description

This segmented base table has a laminate or veneer top with vinyl edge, a veneer top and edge, a thin-profile HPL top with black edge, a back-painted glass top with modified bullnose edge, or a solid wood top. Table may be specified with cutouts to accommodate simple power options (specified separately). Each table has adjustable glides or casters. Shipped knocked down.

#### Notes

60"-wide to 96"-wide tables have a 1-piece top and 2-column segmented base. 60"-deep tables have a dual run of columns.

For veneer tables, 108"-wide to 192"-wide tops are shipped in 2 equal pieces; 216"-wide and 264"-wide tops are shipped in 3 equal pieces.

For laminate tables, 108"-wide tables have a 1-piece top; 120"-wide to 216"-wide tops are shipped in 2 equal pieces; 240"-wide and 264"-wide tops are shipped in 3 equal pieces.

Laminate and veneer tops are 1 1/4" thick.

Thin profile HPL tops are 1/2" thick.

Glass tops are back-painted, with a satin etch finish to reduce the appearance of fingerprints. Tops up to 42"×78" are 1/2" thick; tops 42"×84" to 60"×120" are 3/8" thick with a Formcoat® substructure.

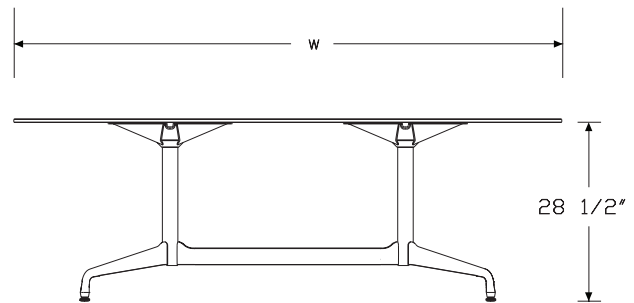
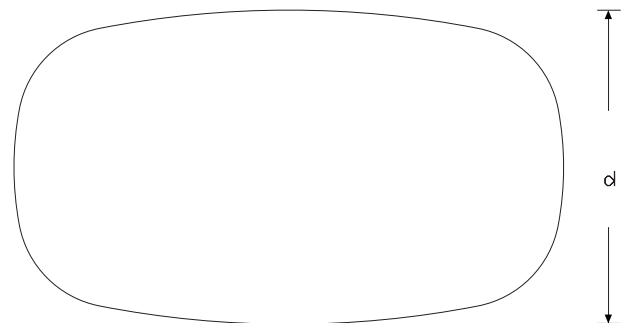
Tables may be specified with cutouts for power in various configurations. Round cutouts align with columns, and oval cutouts are centered between columns.

Order the following compatible power components separately:

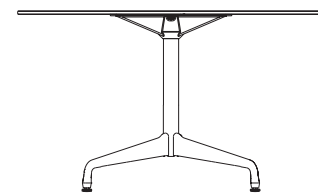
- Round power module (ET991.)
- Oval power module (ET992.)
- Pair of oval power modules (ET993.)
- Oval power module & undermount power (ET994.)
- Pair of oval power modules & undermount power (ET995.)

Santos palisander veneer is celebrated for its unique grain and color variations. Similar products ordered in multiples or dissimilar products ordered separately should be expected to have variation in both grain and color characteristics; no two products will look exactly alike.

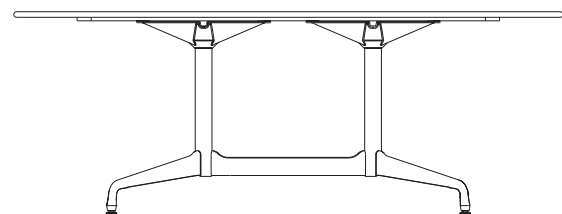
### Dimensions



Segmented Base, Width View



30"-54", Depth View



60", Depth View

# Eames® Conference Table, Oval

continued

Eames® Tables

## Specification Information

### Step 1.

**ET**

### Step 2. Height

**1** 28½" high

### Step 3. Depth/Width

- 87V** 30" deep x 60" wide
- 88V** 30" deep x 72" wide
- 49V** 36" deep x 60" wide
- 43V** 36" deep x 72" wide
- 44V** 36" deep x 84" wide
- 89V** 36" deep x 96" wide
- 50V** 42" deep x 66" wide
- 51V** 42" deep x 72" wide
- 52V** 42" deep x 78" wide
- 53V** 42" deep x 84" wide
- 54V** 48" deep x 84" wide
- 47V** 48" deep x 96" wide
- 55V** 54" deep x 90" wide
- 56V** 54" deep x 96" wide
- 57V** 54" deep x 108" wide
- 58V** 54" deep x 120" wide
- 60V** 54" deep x 144" wide
- 61V** 54" deep x 156" wide
- 62V** 54" deep x 168" wide
- 64V** 54" deep x 192" wide
- 66V** 54" deep x 216" wide
- 68V** 54" deep x 240" wide
- 70V** 54" deep x 264" wide
- 71V** 60" deep x 120" wide
- 72V** 60" deep x 144" wide
- 73V** 60" deep x 156" wide
- 74V** 60" deep x 168" wide
- 75V** 60" deep x 192" wide
- 76V** 60" deep x 216" wide
- 77V** 60" deep x 240" wide
- 78V** 60" deep x 264" wide

### Step 4. Base

**S** segmented base

## Step 5. Surface Material

*For 30" deep x 60" wide (87V), 30" deep x 72" wide (88V), 36" deep x 60" wide (49V), or 36" deep x 72" wide (43V)*

- L** high-pressure laminate top with vinyl edge
- C** veneer top with vinyl edge
- W** veneer top with veneer edge
- M** thin profile HPL top with black edge
- G** back-painted glass top
- SW** solid wood top A

*For 36" deep x 84" wide (44V), 36" deep x 96" wide (89V), 42" deep x 66" wide (50V), 42" deep x 72" wide (51V), 42" deep x 78" wide (52V), 42" deep x 84" wide (53V), 48" deep x 84" wide (54V), or 48" deep x 96" wide (47V)*

- L** high-pressure laminate top with vinyl edge A
- C** veneer top with vinyl edge A
- W** veneer top with veneer edge A
- M** thin profile HPL top with black edge A
- G** back-painted glass top A

*For 54" deep x 90" wide (55V), 54" deep x 96" wide (56V), 54" deep x 108" wide (57V), 54" deep x 120" wide (58V), or 60" deep x 120" wide (71V)*

- L** high-pressure laminate top with vinyl edge
- C** veneer top with vinyl edge
- W** veneer top with veneer edge
- G** back-painted glass top

*For 54" deep x 144" wide (60V), 54" deep x 156" wide (61V), 54" deep x 168" wide (62V), 54" deep x 192" wide (64V), 54" deep x 216" wide (66V), 54" deep x 240" wide (68V), 54" deep x 264" wide (70V), 60" deep x 144" wide (72V), 60" deep x 156" wide (73V), 60" deep x 168" wide (74V), 60" deep x 192" wide (75V), 60" deep x 216" wide (76V), 60" deep x 240" wide (77V), or 60" deep x 264" wide (78V)*

- L** high-pressure laminate top with vinyl edge
- C** veneer top with vinyl edge
- W** veneer top with veneer edge



# Eames® Conference Table, Oval

continued

## Step 6. Grommets

For 30" deep x 60" wide (87V), 30" deep x 72" wide (88V), 36" deep x 60" wide (49V), 36" deep x 72" wide (43V), 36" deep x 84" wide (44V), 36" deep x 96" wide (89V), 42" deep x 66" wide (50V), 42" deep x 72" wide (51V), 42" deep x 78" wide (52V), 42" deep x 84" wide (53V), 48" deep x 84" wide (54V), 48" deep x 96" wide (47V), 54" deep x 90" wide (55V), 54" deep x 96" wide (56V), or 54" deep x 108" wide (57V)

<b>NG</b>	no grommet
<b>C2</b>	2 round cutouts, over columns
<b>CR</b>	single centered oval cutout
<b>CA</b>	2 round cutouts and center oval cutout

For 54" deep x 120" wide (58V), 54" deep x 144" wide (60V), 54" deep x 156" wide (61V), 54" deep x 168" wide (62V), 60" deep x 120" wide (71V), 60" deep x 144" wide (72V), 60" deep x 156" wide (73V), or 60" deep x 168" wide (74V)

<b>NG</b>	no grommet
<b>C2</b>	2 round cutouts, over columns
<b>CM</b>	2 oval cutouts
<b>CB</b>	2 round cutouts and 2 oval cutouts

For 54" deep x 192" wide (64V) or 60" deep x 192" wide (75V)

<b>NG</b>	no grommet
<b>C2</b>	2 round cutouts, over columns
<b>CP</b>	3 oval cutouts
<b>CE</b>	2 round cutouts and 3 oval cutouts

For 54" deep x 216" wide (66V), 54" deep x 240" wide (68V), 54" deep x 264" wide (70V), 60" deep x 216" wide (76V), 60" deep x 240" wide (77V), or 60" deep x 264" wide (78V)

<b>NG</b>	no grommet
<b>C3</b>	3 round cutouts, over columns
<b>CN</b>	4 oval cutouts
<b>CD</b>	3 round cutouts and 4 oval cutouts

## Prices for Steps 1-6.

		NG	C2	C3	CM	CN	CP
<b>ET187V S</b>	<b>L</b>	\$2405	3068	—	—	—	—
	<b>C</b>	\$2949	3614	—	—	—	—
	<b>W</b>	\$3181	3843	—	—	—	—
	<b>M</b>	\$4596	5260	—	—	—	—
	<b>G</b>	\$9609	10736	—	—	—	—
	<b>SW</b>	\$6722	8041	—	—	—	—

		CR	CA	CB	CD	CE
<b>ET187V S</b>	<b>L</b>	\$2736	3399	—	—	—
	<b>C</b>	\$3282	3945	—	—	—
	<b>W</b>	\$3513	4179	—	—	—
	<b>M</b>	\$4927	5593	—	—	—
	<b>G</b>	\$10792	11931	—	—	—
	<b>SW</b>	\$7381	8109	—	—	—

		NG	C2	C3	CM	CN	CP
<b>ET188V S</b>	<b>L</b>	\$2578	3243	—	—	—	—
	<b>C</b>	\$3209	3873	—	—	—	—
	<b>W</b>	\$3556	4221	—	—	—	—
	<b>M</b>	\$4626	5289	—	—	—	—
	<b>G</b>	\$10836	11976	—	—	—	—
	<b>SW</b>	\$7249	11335	—	—	—	—

		CR	CA	CB	CD	CE
<b>ET188V S</b>	<b>L</b>	\$2909	3573	—	—	—
	<b>C</b>	\$3542	4206	—	—	—
	<b>W</b>	\$3889	4553	—	—	—
	<b>M</b>	\$4956	5623	—	—	—
	<b>G</b>	\$12018	13160	—	—	—
	<b>SW</b>	\$7908	8636	—	—	—

		NG	C2	C3	CM	CN	CP
<b>ET149V S</b>	<b>L</b>	\$2715	3382	—	—	—	—
	<b>C</b>	\$3282	3945	—	—	—	—
	<b>W</b>	\$3564	4228	—	—	—	—
	<b>M</b>	\$5578	6241	—	—	—	—
	<b>G</b>	\$10836	11976	—	—	—	—
	<b>SW</b>	\$8271	9589	—	—	—	—

		CR	CA	CB	CD	CE
<b>ET149V S</b>	<b>L</b>	\$3050	3715	—	—	—
	<b>C</b>	\$3614	4279	—	—	—
	<b>W</b>	\$3895	4558	—	—	—
	<b>M</b>	\$5912	6575	—	—	—
	<b>G</b>	\$12018	13160	—	—	—
	<b>SW</b>	\$8930	9658	—	—	—

		NG	C2	C3	CM	CN	CP
<b>ET143V S</b>	<b>L</b>	\$2785	3450	—	—	—	—
	<b>C</b>	\$3383	4046	—	—	—	—
	<b>W</b>	\$3716	4380	—	—	—	—
	<b>M</b>	\$5607	6270	—	—	—	—
	<b>G</b>	\$12307	13434	—	—	—	—
	<b>SW</b>	\$8831	10148	—	—	—	—

# Eames® Conference Table, Oval

continued

Eames® Tables

		CR	CA	CB	CD	CE
ET143V S	L	\$3117	3783	—	—	—
	C	\$3716	4380	—	—	—
	W	\$4046	4713	—	—	—
	M	\$5941	6604	—	—	—
	G	\$13490	14635	—	—	—
	SW	\$9490	10217	—	—	—

		NG	C2	C3	CM	CN	CP
ET144V S	L	\$2912	3576	—	—	—	—
	C	\$3643	4308	—	—	—	—
	W	\$4063	4727	—	—	—	—
	M	\$5651	6315	—	—	—	—
	G	\$13766	14908	—	—	—	—

		CR	CA	CB	CD	CE
ET144V S	L	\$3246	3909	—	—	—
	C	\$3975	4639	—	—	—
	W	\$4393	5057	—	—	—
	M	\$5982	6646	—	—	—
	G	\$14963	16091	—	—	—

		NG	C2	C3	CM	CN	CP
ET189V S	L	\$3118	3784	—	—	—	—
	C	\$3873	4538	—	—	—	—
	W	\$4179	4841	—	—	—	—
	M	\$5679	6344	—	—	—	—
	G	\$15337	16483	—	—	—	—

		CR	CA	CB	CD	CE
ET189V S	L	\$3451	4115	—	—	—
	C	\$4206	4870	—	—	—
	W	\$4509	5173	—	—	—
	M	\$6011	6676	—	—	—
	G	\$16540	17666	—	—	—

		NG	C2	C3	CM	CN	CP
ET150V S	L	\$3252	3916	—	—	—	—
	C	\$3774	4438	—	—	—	—
	W	\$4248	4915	—	—	—	—
	M	\$5623	6286	—	—	—	—
	G	\$12885	14028	—	—	—	—

		CR	CA	CB	CD	CE
ET150V S	L	\$3584	4247	—	—	—
	C	\$4104	4767	—	—	—
	W	\$4582	5245	—	—	—
	M	\$5953	6617	—	—	—
	G	\$14085	15212	—	—	—

		NG	C2	C3	CM	CN	CP
ET151V S	L	\$3349	4013	—	—	—	—
	C	\$3825	4492	—	—	—	—
	W	\$4289	4953	—	—	—	—
	M	\$5635	6299	—	—	—	—
	G	\$13766	14908	—	—	—	—

		CR	CA	CB	CD	CE
ET151V S	L	\$3684	4345	—	—	—
	C	\$4157	4821	—	—	—
	W	\$4621	5284	—	—	—
	M	\$5968	6633	—	—	—
	G	\$14963	16091	—	—	—

		NG	C2	C3	CM	CN	CP
ET152V S	L	\$3420	4087	—	—	—	—
	C	\$4003	4666	—	—	—	—
	W	\$4436	5101	—	—	—	—
	M	\$9073	9737	—	—	—	—
	G	\$14664	15788	—	—	—	—

		CR	CA	CB	CD	CE
ET152V S	L	\$3753	4416	—	—	—
	C	\$4335	5000	—	—	—
	W	\$4766	5431	—	—	—
	M	\$9405	10069	—	—	—
	G	\$15847	16986	—	—	—

		NG	C2	C3	CM	CN	CP
ET153V S	L	\$3462	4126	—	—	—	—
	C	\$4043	4711	—	—	—	—
	W	\$4487	5152	—	—	—	—
	M	\$9073	9737	—	—	—	—
	G	\$16032	17939	—	—	—	—

# Eames® Conference Table, Oval

continued

		CR	CA	CB	CD	CE
ET153V S	L	\$3793	4459	—	—	—
	C	\$4377	5041	—	—	—
	W	\$4819	5482	—	—	—
	M	\$9405	10069	—	—	—
	G	\$17737	19657	—	—	—

		NG	C2	C3	CM	CN	CP
ET154V S	L	\$3895	4558	—	—	—	—
	C	\$4495	5158	—	—	—	—
	W	\$4926	5592	—	—	—	—
	M	\$9104	9766	—	—	—	—
	G	\$18040	19962	—	—	—	—

		CR	CA	CB	CD	CE
ET154V S	L	\$4228	4892	—	—	—
	C	\$4824	5489	—	—	—
	W	\$5259	5922	—	—	—
	M	\$9433	10099	—	—	—
	G	\$19758	21664	—	—	—

		NG	C2	C3	CM	CN	CP
ET147V S	L	\$3978	4644	—	—	—	—
	C	\$4586	5250	—	—	—	—
	W	\$5093	5757	—	—	—	—
	M	\$9145	9810	—	—	—	—
	G	\$20351	22300	—	—	—	—

		CR	CA	CB	CD	CE
ET147V S	L	\$4313	4975	—	—	—
	C	\$4919	5582	—	—	—
	W	\$5423	6087	—	—	—
	M	\$9476	10142	—	—	—
	G	\$22069	23976	—	—	—

		NG	C2	C3	CM	CN	CP
ET155V S	L	\$4719	5382	—	—	—	—
	C	\$5359	6024	—	—	—	—
	W	\$5937	6601	—	—	—	—
	G	\$21346	23269	—	—	—	—

		CR	CA	CB	CD	CE
ET155V S	L	\$5051	5716	—	—	—
	C	\$5690	6356	—	—	—
	W	\$6268	6932	—	—	—
	G	\$23168	24987	—	—	—

		NG	C2	C3	CM	CN	CP
ET156V S	L	\$4780	5443	—	—	—	—
	C	\$5533	6196	—	—	—	—
	W	\$6182	6847	—	—	—	—
	G	\$22647	24568	—	—	—	—

		CR	CA	CB	CD	CE
ET156V S	L	\$5109	5774	—	—	—
	C	\$5863	6529	—	—	—
	W	\$6513	7179	—	—	—
	G	\$24366	26286	—	—	—

		NG	C2	C3	CM	CN	CP
ET157V S	L	\$6218	6881	—	—	—	—
	C	\$6926	7590	—	—	—	—
	W	\$7684	8349	—	—	—	—
	G	\$25246	27168	—	—	—	—

		CR	CA	CB	CD	CE
ET157V S	L	\$6547	7212	—	—	—
	C	\$7261	7924	—	—	—
	W	\$8019	8682	—	—	—
	G	\$26967	28885	—	—	—

		NG	C2	C3	CM	CN	CP
ET158V S	L	\$6913	7577	—	7577	—	—
	C	\$7766	8429	—	8429	—	—
	W	\$8632	9296	—	9296	—	—
	G	\$28743	30647	—	30720	—	—

		CR	CA	CB	CD	CE
ET158V S	L	—	—	\$8242	—	—
	C	—	—	\$9092	—	—
	W	—	—	\$9961	—	—
	G	—	—	\$32641	—	—

		NG	C2	C3	CM	CN	CP
ET160V S	L	\$7490	8154	—	8154	—	—
	C	\$8366	9032	—	9032	—	—
	W	\$9377	10040	—	10040	—	—

		CR	CA	CB	CD	CE
ET160V S	L	—	—	\$8817	—	—
	C	—	—	\$9695	—	—
	W	—	—	\$10707	—	—

Eames® Tables

# Eames® Conference Table, Oval

continued

Eames® Tables

		NG	C2	C3	CM	CN	CP
ET161V S	L	\$8139	8803	—	8803	—	—
	C	\$9050	9714	—	9714	—	—
	W	\$10169	10833	—	10833	—	—

		CR	CA	CB	CD	CE
ET161V S	L	—	—	\$9467	—	—
	C	—	—	-\$10378	—	—
	W	—	—	-\$11498	—	—

		NG	C2	C3	CM	CN	CP
ET162V S	L	\$8918	9581	—	9581	—	—
	C	\$9971	10636	—	10636	—	—
	W	\$11197	11864	—	11864	—	—

		CR	CA	CB	CD	CE
ET162V S	L	—	—	-\$10246	—	—
	C	—	—	-\$11300	—	—
	W	—	—	-\$12526	—	—

		NG	C2	C3	CM	CN	CP
ET164V S	L	\$9844	10508	—	—	—	10842
	C	\$11148	11813	—	—	—	12145
	W	\$12519	13186	—	—	—	13515

		CR	CA	CB	CD	CE
ET164V S	L	—	—	—	—	11506
	C	—	—	—	—	12811
	W	—	—	—	—	14179

		NG	C2	C3	CM	CN	CP
ET166V S	L	\$10844	—	11840	—	12173	—
	C	\$12193	—	13189	—	13520	—
	W	\$13709	—	14704	—	15038	—

		CR	CA	CB	CD	CE
ET166V S	L	—	—	—	-\$13168	—
	C	—	—	—	-\$14516	—
	W	—	—	—	-\$16032	—

		NG	C2	C3	CM	CN	CP
ET168V S	L	\$11961	—	12957	—	13290	—
	C	\$13365	—	14362	—	14693	—
	W	\$15027	—	16022	—	16356	—

		CR	CA	CB	CD	CE
ET168V S	L	—	—	—	-\$14286	—
	C	—	—	—	-\$15692	—
	W	—	—	—	-\$17351	—

		NG	C2	C3	CM	CN	CP
ET170V S	L	\$13050	—	14046	—	14377	—
	C	\$14713	—	15708	—	16042	—
	W	\$16518	—	17516	—	17846	—

		CR	CA	CB	CD	CE
ET170V S	L	—	—	—	-\$15373	—
	C	—	—	—	-\$17037	—
	W	—	—	—	-\$18843	—

		NG	C2	C3	CM	CN	CP
ET171V S	L	\$12856	13520	—	13520	—	—
	C	\$15743	16408	—	16408	—	—
	W	\$16754	17420	—	17420	—	—
	G	\$35283	37190	—	37261	—	—

		CR	CA	CB	CD	CE
ET171V S	L	—	—	-\$14186	—	—
	C	—	—	-\$17073	—	—
	W	—	—	-\$18084	—	—
	G	—	—	-\$39184	—	—

		NG	C2	C3	CM	CN	CP
ET172V S	L	\$13433	14097	—	14097	—	—
	C	\$16612	17275	—	17275	—	—
	W	\$17767	18432	—	18432	—	—

		CR	CA	CB	CD	CE
ET172V S	L	—	—	-\$14762	—	—
	C	—	—	-\$17939	—	—
	W	—	—	-\$19096	—	—

		NG	C2	C3	CM	CN	CP
ET173V S	L	\$13865	14533	—	14533	—	—
	C	\$17334	17997	—	17997	—	—
	W	\$18595	19261	—	19261	—	—

		CR	CA	CB	CD	CE
ET173V S	L	—	—	-\$15195	—	—
	C	—	—	-\$18662	—	—
	W	—	—	-\$19926	—	—

# Eames® Conference Table, Oval

continued

		NG	C2	C3	CM	CN	CP
ET174V S	L	\$14443	15108	—	15108	—	—
	C	\$18201	18864	—	18864	—	—
	W	\$19572	20235	—	20235	—	—

		CR	CA	CB	CD	CE
ET174V S	L	—	—	-\$15772	—	—
	C	—	—	-\$19528	—	—
	W	—	—	-\$20900	—	—

		NG	C2	C3	CM	CN	CP
ET175V S	L	\$17044	17708	—	—	—	18040
	C	\$24264	24929	—	—	—	25262
	W	\$25781	26447	—	—	—	26776

		CR	CA	CB	CD	CE
ET175V S	L	—	—	—	—	18706
	C	—	—	—	—	25928
	W	—	—	—	—	27443

		NG	C2	C3	CM	CN	CP
ET176V S	L	\$20654	—	21652	—	21983	—
	C	\$30187	—	31184	—	31514	—
	W	\$31848	—	32843	—	33176	—

		CR	CA	CB	CD	CE
ET176V S	L	—	—	—	-\$22980	—
	C	—	—	—	-\$32512	—
	W	—	—	—	-\$34172	—

		NG	C2	C3	CM	CN	CP
ET177V S	L	\$22532	—	23529	—	23860	—
	C	\$32209	—	33204	—	33537	—
	W	\$34013	—	35009	—	35342	—

		CR	CA	CB	CD	CE
ET177V S	L	—	—	—	-\$24857	—
	C	—	—	—	-\$34533	—
	W	—	—	—	-\$36339	—

		NG	C2	C3	CM	CN	CP
ET178V S	L	\$22965	—	23961	—	24294	—
	C	\$33506	—	34504	—	34835	—
	W	\$35457	—	36452	—	36786	—

		CR	CA	CB	CD	CE
ET178V S	L	—	—	—	-\$25290	—
	C	—	—	—	-\$35833	—
	W	—	—	—	-\$37783	—

## Step 7.

Top Finish: Top Finish  
For back-painted glass top (G)

<b>8Q</b>	folkstone grey	+\$0
<b>91</b>	white	+\$0
<b>BK</b>	black	+\$0
<b>WN</b>	warm grey neutral	+\$0

Top Finish: Top Finish  
For thin profile HPL top with black edge (M)

<b>91</b>	white	+\$0
<b>G1</b>	graphite	+\$0
<b>BK</b>	black	+\$0

Top Finish: Solid-Color Laminate  
For high-pressure laminate top with vinyl edge (L)

<b>8Q</b>	folkstone grey	+\$0
<b>91</b>	white	+\$0
<b>98</b>	studio white	+\$0
<b>BKM</b>	black matte	+\$0
<b>CL</b>	cool grey neutral	+\$0
<b>HF</b>	inner tone light	+\$0
<b>LT</b>	light tone	+\$0
<b>LU</b>	soft white	+\$0
<b>WL</b>	sandstone	+\$0
<b>WN</b>	warm grey neutral	+\$0

Top Finish  
For 30" deep x 60" wide (87V) with solid wood top (SW)

<b>OU</b>	walnut <b>A</b>	+\$575
<b>WHN</b>	natural white oak <b>A</b>	+\$0

Top Finish  
For 30" deep x 72" wide (88V) with solid wood top (SW)

<b>OU</b>	walnut <b>A</b>	+\$675
<b>WHN</b>	natural white oak <b>A</b>	+\$0

Top Finish  
For 36" deep x 60" wide (49V) with solid wood top (SW)

<b>OU</b>	walnut <b>A</b>	+\$700
<b>WHN</b>	natural white oak <b>A</b>	+\$0

# Eames® Conference Table, Oval

continued

Eames® Tables

Top Finish		
<i>For 36" deep x 72" wide (43V) with solid wood top (SW)</i>		
<b>OU</b>	walnut <span style="border: 1px solid black; padding: 0 2px;">A</span>	+\$815
<b>WHN</b>	natural white oak <span style="border: 1px solid black; padding: 0 2px;">A</span>	+\$0

Top Finish		
<i>For 30" deep x 60" wide (87V) with veneer top with vinyl edge (C)</i>		
<b>2U</b>	light brown walnut	+\$250
<b>40</b>	dark brown walnut	+\$250
<b>9N</b>	santos palisander	+\$950
<b>A2</b>	white ash	+\$250
<b>CHD</b>	noble cherry	+\$250
<b>EN</b>	ebony	+\$250
<b>OU</b>	walnut	+\$250
<b>UL</b>	natural maple	+\$250
<b>WHN</b>	natural white oak	+\$0

Top Finish		
<i>For 30" deep x 72" wide (88V) with veneer top with vinyl edge (C)</i>		
<b>2U</b>	light brown walnut	+\$265
<b>40</b>	dark brown walnut	+\$265
<b>9N</b>	santos palisander	+\$1009
<b>A2</b>	white ash	+\$265
<b>CHD</b>	noble cherry	+\$265
<b>EN</b>	ebony	+\$265
<b>OU</b>	walnut	+\$265
<b>UL</b>	natural maple	+\$265
<b>WHN</b>	natural white oak	+\$0

Top Finish		
<i>For 36" deep x 60" wide (49V) with veneer top with vinyl edge (C)</i>		
<b>2U</b>	light brown walnut	+\$265
<b>40</b>	dark brown walnut	+\$265
<b>9N</b>	santos palisander	+\$1009
<b>A2</b>	white ash	+\$265
<b>CHD</b>	noble cherry	+\$265
<b>EN</b>	ebony	+\$265
<b>OU</b>	walnut	+\$265
<b>UL</b>	natural maple	+\$265
<b>WHN</b>	natural white oak	+\$0

Top Finish		
<i>For 36" deep x 72" wide (43V) with veneer top with vinyl edge (C)</i>		
<b>2U</b>	light brown walnut	+\$290
<b>40</b>	dark brown walnut	+\$290
<b>9N</b>	santos palisander	+\$1104
<b>A2</b>	white ash	+\$290
<b>CHD</b>	noble cherry	+\$290
<b>EN</b>	ebony	+\$290
<b>OU</b>	walnut	+\$290
<b>UL</b>	natural maple	+\$290
<b>WHN</b>	natural white oak	+\$0

Top Finish		
<i>For 36" deep x 84" wide (44V) with veneer top with vinyl edge (C)</i>		
<b>2U</b>	light brown walnut	+\$305
<b>40</b>	dark brown walnut	+\$305
<b>9N</b>	santos palisander	+\$1161
<b>A2</b>	white ash	+\$305
<b>CHD</b>	noble cherry	+\$305
<b>EN</b>	ebony	+\$305
<b>OU</b>	walnut	+\$305
<b>UL</b>	natural maple	+\$305
<b>WHN</b>	natural white oak	+\$0

Top Finish		
<i>For 36" deep x 96" wide (89V) with veneer top with vinyl edge (C)</i>		
<b>2U</b>	light brown walnut	+\$330
<b>40</b>	dark brown walnut	+\$330
<b>9N</b>	santos palisander	+\$1420
<b>A2</b>	white ash	+\$330
<b>CHD</b>	noble cherry	+\$330
<b>EN</b>	ebony	+\$330
<b>OU</b>	walnut	+\$330
<b>UL</b>	natural maple	+\$330
<b>WHN</b>	natural white oak	+\$0

Top Finish		
<i>For 42" deep x 66" wide (50V) with veneer top with vinyl edge (C)</i>		
<b>2U</b>	light brown walnut	+\$290
<b>40</b>	dark brown walnut	+\$290
<b>9N</b>	santos palisander	+\$1160
<b>A2</b>	white ash	+\$290
<b>CHD</b>	noble cherry	+\$290
<b>EN</b>	ebony	+\$290
<b>OU</b>	walnut	+\$290
<b>UL</b>	natural maple	+\$290
<b>WHN</b>	natural white oak	+\$0

# Eames® Conference Table, Oval

continued

Top Finish		
<i>For 42" deep x 72" wide (51V) with veneer top with vinyl edge (C)</i>		
<b>2U</b>	light brown walnut	+\$305
<b>40</b>	dark brown walnut	+\$305
<b>9N</b>	santos palisander	+\$1220
<b>A2</b>	white ash	+\$305
<b>CHD</b>	noble cherry	+\$305
<b>EN</b>	ebony	+\$305
<b>OU</b>	walnut	+\$305
<b>UL</b>	natural maple	+\$305
<b>WHN</b>	natural white oak	+\$0

Top Finish		
<i>For 42" deep x 78" wide (52V) with veneer top with vinyl edge (C)</i>		
<b>2U</b>	light brown walnut	+\$330
<b>40</b>	dark brown walnut	+\$330
<b>9N</b>	santos palisander	+\$1320
<b>A2</b>	white ash	+\$330
<b>CHD</b>	noble cherry	+\$330
<b>EN</b>	ebony	+\$330
<b>OU</b>	walnut	+\$330
<b>UL</b>	natural maple	+\$330
<b>WHN</b>	natural white oak	+\$0

Top Finish		
<i>For 42" deep x 84" wide (53V) with veneer top with vinyl edge (C)</i>		
<b>2U</b>	light brown walnut	+\$330
<b>40</b>	dark brown walnut	+\$330
<b>9N</b>	santos palisander	+\$1320
<b>A2</b>	white ash	+\$330
<b>CHD</b>	noble cherry	+\$330
<b>EN</b>	ebony	+\$330
<b>OU</b>	walnut	+\$330
<b>UL</b>	natural maple	+\$330
<b>WHN</b>	natural white oak	+\$0

Top Finish		
<i>For 48" deep x 84" wide (54V) with veneer top with vinyl edge (C)</i>		
<b>2U</b>	light brown walnut	+\$385
<b>40</b>	dark brown walnut	+\$385
<b>9N</b>	santos palisander	+\$1656
<b>A2</b>	white ash	+\$385
<b>CHD</b>	noble cherry	+\$385
<b>EN</b>	ebony	+\$385
<b>OU</b>	walnut	+\$385
<b>UL</b>	natural maple	+\$385
<b>WHN</b>	natural white oak	+\$0

Top Finish		
<i>For 48" deep x 96" wide (47V) with veneer top with vinyl edge (C)</i>		
<b>2U</b>	light brown walnut	+\$385
<b>40</b>	dark brown walnut	+\$385
<b>9N</b>	santos palisander	+\$1656
<b>A2</b>	white ash	+\$385
<b>CHD</b>	noble cherry	+\$385
<b>EN</b>	ebony	+\$385
<b>OU</b>	walnut	+\$385
<b>UL</b>	natural maple	+\$385
<b>WHN</b>	natural white oak	+\$0

Top Finish		
<i>For 54" deep x 90" wide (55V) with veneer top with vinyl edge (C)</i>		
<b>2U</b>	light brown walnut	+\$425
<b>40</b>	dark brown walnut	+\$425
<b>9N</b>	santos palisander	+\$1700
<b>A2</b>	white ash	+\$425
<b>CHD</b>	noble cherry	+\$425
<b>EN</b>	ebony	+\$425
<b>OU</b>	walnut	+\$425
<b>UL</b>	natural maple	+\$425
<b>WHN</b>	natural white oak	+\$0

Top Finish		
<i>For 54" deep x 96" wide (56V) with veneer top with vinyl edge (C)</i>		
<b>2U</b>	light brown walnut	+\$440
<b>40</b>	dark brown walnut	+\$440
<b>9N</b>	santos palisander	+\$1760
<b>A2</b>	white ash	+\$440
<b>CHD</b>	noble cherry	+\$440
<b>EN</b>	ebony	+\$440
<b>OU</b>	walnut	+\$440
<b>UL</b>	natural maple	+\$440
<b>WHN</b>	natural white oak	+\$0

Top Finish		
<i>For 54" deep x 108" wide (57V) with veneer top with vinyl edge (C)</i>		
<b>2U</b>	light brown walnut	+\$500
<b>40</b>	dark brown walnut	+\$500
<b>9N</b>	santos palisander	+\$2350
<b>A2</b>	white ash	+\$500
<b>CHD</b>	noble cherry	+\$500
<b>EN</b>	ebony	+\$500
<b>OU</b>	walnut	+\$500
<b>UL</b>	natural maple	+\$500
<b>WHN</b>	natural white oak	+\$0

# Eames® Conference Table, Oval

continued

Eames® Tables

Top Finish		
<i>For 54" deep x 120" wide (58V) with veneer top with vinyl edge (C)</i>		
<b>2U</b>	light brown walnut	+\$540
<b>40</b>	dark brown walnut	+\$540
<b>9N</b>	santos palisander	+\$2538
<b>A2</b>	white ash	+\$540
<b>CHD</b>	noble cherry	+\$540
<b>EN</b>	ebony	+\$540
<b>OU</b>	walnut	+\$540
<b>UL</b>	natural maple	+\$540
<b>WHN</b>	natural white oak	+\$0

Top Finish		
<i>For 54" deep x 144" wide (60V) with veneer top with vinyl edge (C)</i>		
<b>2U</b>	light brown walnut	+\$585
<b>40</b>	dark brown walnut	+\$585
<b>9N</b>	santos palisander	+\$2750
<b>A2</b>	white ash	+\$585
<b>CHD</b>	noble cherry	+\$585
<b>EN</b>	ebony	+\$585
<b>OU</b>	walnut	+\$585
<b>UL</b>	natural maple	+\$585
<b>WHN</b>	natural white oak	+\$0

Top Finish		
<i>For 54" deep x 156" wide (61V) with veneer top with vinyl edge (C)</i>		
<b>2U</b>	light brown walnut	+\$635
<b>40</b>	dark brown walnut	+\$635
<b>9N</b>	santos palisander	+\$3175
<b>A2</b>	white ash	+\$635
<b>CHD</b>	noble cherry	+\$635
<b>EN</b>	ebony	+\$635
<b>OU</b>	walnut	+\$635
<b>UL</b>	natural maple	+\$635
<b>WHN</b>	natural white oak	+\$0

Top Finish		
<i>For 54" deep x 168" wide (62V) with veneer top with vinyl edge (C)</i>		
<b>2U</b>	light brown walnut	+\$690
<b>40</b>	dark brown walnut	+\$690
<b>9N</b>	santos palisander	+\$3450
<b>A2</b>	white ash	+\$690
<b>CHD</b>	noble cherry	+\$690
<b>EN</b>	ebony	+\$690
<b>OU</b>	walnut	+\$690
<b>UL</b>	natural maple	+\$690
<b>WHN</b>	natural white oak	+\$0

Top Finish		
<i>For 54" deep x 192" wide (64V) with veneer top with vinyl edge (C)</i>		
<b>2U</b>	light brown walnut	+\$755
<b>40</b>	dark brown walnut	+\$755
<b>9N</b>	santos palisander	+\$3775
<b>A2</b>	white ash	+\$755
<b>CHD</b>	noble cherry	+\$755
<b>EN</b>	ebony	+\$755
<b>OU</b>	walnut	+\$755
<b>UL</b>	natural maple	+\$755
<b>WHN</b>	natural white oak	+\$0

Top Finish		
<i>For 54" deep x 216" wide (66V) with veneer top with vinyl edge (C)</i>		
<b>2U</b>	light brown walnut	+\$815
<b>40</b>	dark brown walnut	+\$815
<b>9N</b>	santos palisander	+\$4075
<b>A2</b>	white ash	+\$815
<b>CHD</b>	noble cherry	+\$815
<b>EN</b>	ebony	+\$815
<b>OU</b>	walnut	+\$815
<b>UL</b>	natural maple	+\$815
<b>WHN</b>	natural white oak	+\$0

Top Finish		
<i>For 54" deep x 240" wide (68V) with veneer top with vinyl edge (C)</i>		
<b>2U</b>	light brown walnut	+\$880
<b>40</b>	dark brown walnut	+\$880
<b>9N</b>	santos palisander	+\$4400
<b>A2</b>	white ash	+\$880
<b>CHD</b>	noble cherry	+\$880
<b>EN</b>	ebony	+\$880
<b>OU</b>	walnut	+\$880
<b>UL</b>	natural maple	+\$880
<b>WHN</b>	natural white oak	+\$0

Top Finish		
<i>For 54" deep x 264" wide (70V) with veneer top with vinyl edge (C)</i>		
<b>2U</b>	light brown walnut	+\$950
<b>40</b>	dark brown walnut	+\$950
<b>9N</b>	santos palisander	+\$5320
<b>A2</b>	white ash	+\$950
<b>CHD</b>	noble cherry	+\$950
<b>EN</b>	ebony	+\$950
<b>OU</b>	walnut	+\$950
<b>UL</b>	natural maple	+\$950
<b>WHN</b>	natural white oak	+\$0



# Eames® Conference Table, Oval

continued

Top Finish		
<i>For 60" deep x 120" wide (71V) with veneer top with vinyl edge (C)</i>		
<b>2U</b>	light brown walnut	+\$680
<b>40</b>	dark brown walnut	+\$680
<b>9N</b>	santos palisander	+\$3180
<b>A2</b>	white ash	+\$680
<b>CHD</b>	noble cherry	+\$680
<b>EN</b>	ebony	+\$680
<b>OU</b>	walnut	+\$680
<b>UL</b>	natural maple	+\$680
<b>WHN</b>	natural white oak	+\$0

Top Finish		
<i>For 60" deep x 144" wide (72V) with veneer top with vinyl edge (C)</i>		
<b>2U</b>	light brown walnut	+\$740
<b>40</b>	dark brown walnut	+\$740
<b>9N</b>	santos palisander	+\$3440
<b>A2</b>	white ash	+\$740
<b>CHD</b>	noble cherry	+\$740
<b>EN</b>	ebony	+\$740
<b>OU</b>	walnut	+\$740
<b>UL</b>	natural maple	+\$740
<b>WHN</b>	natural white oak	+\$0

Top Finish		
<i>For 60" deep x 156" wide (73V) with veneer top with vinyl edge (C)</i>		
<b>2U</b>	light brown walnut	+\$800
<b>40</b>	dark brown walnut	+\$800
<b>9N</b>	santos palisander	+\$3970
<b>A2</b>	white ash	+\$800
<b>CHD</b>	noble cherry	+\$800
<b>EN</b>	ebony	+\$800
<b>OU</b>	walnut	+\$800
<b>UL</b>	natural maple	+\$800
<b>WHN</b>	natural white oak	+\$0

Top Finish		
<i>For 60" deep x 168" wide (74V) with veneer top with vinyl edge (C)</i>		
<b>CHD</b>	noble cherry	+\$870
<b>WHN</b>	natural white oak	+\$0
<b>2U</b>	light brown walnut	+\$870
<b>40</b>	dark brown walnut	+\$870
<b>9N</b>	santos palisander	+\$4320
<b>A2</b>	white ash	+\$870
<b>EN</b>	ebony	+\$870
<b>OU</b>	walnut	+\$870
<b>UL</b>	natural maple	+\$870

Top Finish		
<i>For 60" deep x 192" wide (75V) with veneer top with vinyl edge (C)</i>		
<b>2U</b>	light brown walnut	+\$950
<b>40</b>	dark brown walnut	+\$950
<b>9N</b>	santos palisander	+\$5100
<b>A2</b>	white ash	+\$950
<b>CHD</b>	noble cherry	+\$950
<b>EN</b>	ebony	+\$950
<b>OU</b>	walnut	+\$950
<b>UL</b>	natural maple	+\$950
<b>WHN</b>	natural white oak	+\$0

Top Finish		
<i>For 60" deep x 216" wide (76V) with veneer top with vinyl edge (C)</i>		
<b>2U</b>	light brown walnut	+\$950
<b>40</b>	dark brown walnut	+\$950
<b>9N</b>	santos palisander	+\$5100
<b>A2</b>	white ash	+\$950
<b>CHD</b>	noble cherry	+\$950
<b>EN</b>	ebony	+\$950
<b>OU</b>	walnut	+\$950
<b>UL</b>	natural maple	+\$950
<b>WHN</b>	natural white oak	+\$0

Top Finish		
<i>For 60" deep x 240" wide (77V) with veneer top with vinyl edge (C)</i>		
<b>2U</b>	light brown walnut	+\$1100
<b>40</b>	dark brown walnut	+\$1100
<b>9N</b>	santos palisander	+\$5500
<b>A2</b>	white ash	+\$1100
<b>CHD</b>	noble cherry	+\$1100
<b>EN</b>	ebony	+\$1100
<b>OU</b>	walnut	+\$1100
<b>UL</b>	natural maple	+\$1100
<b>WHN</b>	natural white oak	+\$0

Top Finish		
<i>For 60" deep x 264" wide (78V) with veneer top with vinyl edge (C)</i>		
<b>2U</b>	light brown walnut	+\$1100
<b>40</b>	dark brown walnut	+\$1100
<b>9N</b>	santos palisander	+\$5500
<b>A2</b>	white ash	+\$1100
<b>CHD</b>	noble cherry	+\$1100
<b>EN</b>	ebony	+\$1100
<b>OU</b>	walnut	+\$1100
<b>UL</b>	natural maple	+\$1100
<b>WHN</b>	natural white oak	+\$0

# Eames® Conference Table, Oval

continued

Eames® Tables

Top/Edge Finish		
<i>For 30" deep x 60" wide (87V) with veneer top with veneer edge (W)</i>		
<b>2U</b>	light brown walnut	+\$250
<b>40</b>	dark brown walnut	+\$250
<b>9N</b>	santos palisander	+\$950
<b>A2</b>	white ash	+\$250
<b>CHD</b>	noble cherry	+\$250
<b>EN</b>	ebony	+\$250
<b>OU</b>	walnut	+\$250
<b>UL</b>	natural maple	+\$250
<b>WHN</b>	natural white oak	+\$0

Top/Edge Finish		
<i>For 30" deep x 72" wide (88V) with veneer top with veneer edge (W)</i>		
<b>2U</b>	light brown walnut	+\$265
<b>40</b>	dark brown walnut	+\$265
<b>9N</b>	santos palisander	+\$1009
<b>A2</b>	white ash	+\$265
<b>CHD</b>	noble cherry	+\$265
<b>EN</b>	ebony	+\$265
<b>OU</b>	walnut	+\$265
<b>UL</b>	natural maple	+\$265
<b>WHN</b>	natural white oak	+\$0

Top/Edge Finish		
<i>For 36" deep x 60" wide (49V) with veneer top with veneer edge (W)</i>		
<b>2U</b>	light brown walnut	+\$265
<b>40</b>	dark brown walnut	+\$265
<b>9N</b>	santos palisander	+\$1009
<b>A2</b>	white ash	+\$265
<b>CHD</b>	noble cherry	+\$265
<b>EN</b>	ebony	+\$265
<b>OU</b>	walnut	+\$265
<b>UL</b>	natural maple	+\$265
<b>WHN</b>	natural white oak	+\$0

Top/Edge Finish		
<i>For 36" deep x 72" wide (43V) with veneer top with veneer edge (W)</i>		
<b>2U</b>	light brown walnut	+\$290
<b>40</b>	dark brown walnut	+\$290
<b>9N</b>	santos palisander	+\$1104
<b>A2</b>	white ash	+\$290
<b>CHD</b>	noble cherry	+\$290
<b>EN</b>	ebony	+\$290
<b>OU</b>	walnut	+\$290
<b>UL</b>	natural maple	+\$290
<b>WHN</b>	natural white oak	+\$0

Top/Edge Finish		
<i>For 36" deep x 84" wide (44V) with veneer top with veneer edge (W)</i>		
<b>2U</b>	light brown walnut	+\$305
<b>40</b>	dark brown walnut	+\$305
<b>9N</b>	santos palisander	+\$1161
<b>A2</b>	white ash	+\$305
<b>CHD</b>	noble cherry	+\$305
<b>EN</b>	ebony	+\$305
<b>OU</b>	walnut	+\$305
<b>UL</b>	natural maple	+\$305
<b>WHN</b>	natural white oak	+\$0

Top/Edge Finish		
<i>For 36" deep x 96" wide (89V) with veneer top with veneer edge (W)</i>		
<b>2U</b>	light brown walnut	+\$330
<b>40</b>	dark brown walnut	+\$330
<b>9N</b>	santos palisander	+\$1420
<b>A2</b>	white ash	+\$330
<b>CHD</b>	noble cherry	+\$330
<b>EN</b>	ebony	+\$330
<b>OU</b>	walnut	+\$330
<b>UL</b>	natural maple	+\$330
<b>WHN</b>	natural white oak	+\$0

Top/Edge Finish		
<i>For 42" deep x 66" wide (50V) with veneer top with veneer edge (W)</i>		
<b>2U</b>	light brown walnut	+\$290
<b>40</b>	dark brown walnut	+\$290
<b>9N</b>	santos palisander	+\$1160
<b>A2</b>	white ash	+\$290
<b>CHD</b>	noble cherry	+\$290
<b>EN</b>	ebony	+\$290
<b>OU</b>	walnut	+\$290
<b>UL</b>	natural maple	+\$290
<b>WHN</b>	natural white oak	+\$0

Top/Edge Finish		
<i>For 42" deep x 72" wide (51V) with veneer top with veneer edge (W)</i>		
<b>2U</b>	light brown walnut	+\$305
<b>40</b>	dark brown walnut	+\$305
<b>9N</b>	santos palisander	+\$1220
<b>A2</b>	white ash	+\$305
<b>CHD</b>	noble cherry	+\$305
<b>EN</b>	ebony	+\$305
<b>OU</b>	walnut	+\$305
<b>UL</b>	natural maple	+\$305
<b>WHN</b>	natural white oak	+\$0

# Eames® Conference Table, Oval

continued

Eames® Tables

Top/Edge Finish		
<i>For 42" deep x 78" wide (52V) with veneer top with veneer edge (W)</i>		
<b>2U</b>	light brown walnut	+\$330
<b>40</b>	dark brown walnut	+\$330
<b>9N</b>	santos palisander	+\$1320
<b>A2</b>	white ash	+\$330
<b>CHD</b>	noble cherry	+\$330
<b>EN</b>	ebony	+\$330
<b>OU</b>	walnut	+\$330
<b>UL</b>	natural maple	+\$330
<b>WHN</b>	natural white oak	+\$0

Top/Edge Finish		
<i>For 42" deep x 84" wide (53V) with veneer top with veneer edge (W)</i>		
<b>2U</b>	light brown walnut	+\$330
<b>40</b>	dark brown walnut	+\$330
<b>9N</b>	santos palisander	+\$1320
<b>A2</b>	white ash	+\$330
<b>CHD</b>	noble cherry	+\$330
<b>EN</b>	ebony	+\$330
<b>OU</b>	walnut	+\$330
<b>UL</b>	natural maple	+\$330
<b>WHN</b>	natural white oak	+\$0

Top/Edge Finish		
<i>For 48" deep x 84" wide (54V) with veneer top with veneer edge (W)</i>		
<b>2U</b>	light brown walnut	+\$385
<b>40</b>	dark brown walnut	+\$385
<b>9N</b>	santos palisander	+\$1656
<b>A2</b>	white ash	+\$385
<b>CHD</b>	noble cherry	+\$385
<b>EN</b>	ebony	+\$385
<b>OU</b>	walnut	+\$385
<b>UL</b>	natural maple	+\$385
<b>WHN</b>	natural white oak	+\$0

Top/Edge Finish		
<i>For 48" deep x 96" wide (47V) with veneer top with veneer edge (W)</i>		
<b>2U</b>	light brown walnut	+\$385
<b>40</b>	dark brown walnut	+\$385
<b>9N</b>	santos palisander	+\$1656
<b>A2</b>	white ash	+\$385
<b>CHD</b>	noble cherry	+\$385
<b>EN</b>	ebony	+\$385
<b>OU</b>	walnut	+\$385
<b>UL</b>	natural maple	+\$385
<b>WHN</b>	natural white oak	+\$0

Top/Edge Finish		
<i>For 54" deep x 90" wide (55V) with veneer top with veneer edge (W)</i>		
<b>2U</b>	light brown walnut	+\$425
<b>40</b>	dark brown walnut	+\$425
<b>9N</b>	santos palisander	+\$1700
<b>A2</b>	white ash	+\$425
<b>CHD</b>	noble cherry	+\$425
<b>EN</b>	ebony	+\$425
<b>OU</b>	walnut	+\$425
<b>UL</b>	natural maple	+\$425
<b>WHN</b>	natural white oak	+\$0

Top/Edge Finish		
<i>For 54" deep x 96" wide (56V) with veneer top with veneer edge (W)</i>		
<b>2U</b>	light brown walnut	+\$440
<b>40</b>	dark brown walnut	+\$440
<b>9N</b>	santos palisander	+\$1760
<b>A2</b>	white ash	+\$440
<b>CHD</b>	noble cherry	+\$440
<b>EN</b>	ebony	+\$440
<b>OU</b>	walnut	+\$440
<b>UL</b>	natural maple	+\$440
<b>WHN</b>	natural white oak	+\$0

Top/Edge Finish		
<i>For 54" deep x 108" wide (57V) with veneer top with veneer edge (W)</i>		
<b>2U</b>	light brown walnut	+\$500
<b>40</b>	dark brown walnut	+\$500
<b>9N</b>	santos palisander	+\$2350
<b>A2</b>	white ash	+\$500
<b>CHD</b>	noble cherry	+\$500
<b>EN</b>	ebony	+\$500
<b>OU</b>	walnut	+\$500
<b>UL</b>	natural maple	+\$500
<b>WHN</b>	natural white oak	+\$0

Top/Edge Finish		
<i>For 54" deep x 120" wide (58V) with veneer top with veneer edge (W)</i>		
<b>2U</b>	light brown walnut	+\$540
<b>40</b>	dark brown walnut	+\$540
<b>9N</b>	santos palisander	+\$2538
<b>A2</b>	white ash	+\$540
<b>CHD</b>	noble cherry	+\$540
<b>EN</b>	ebony	+\$540
<b>OU</b>	walnut	+\$540
<b>UL</b>	natural maple	+\$540
<b>WHN</b>	natural white oak	+\$0

# Eames® Conference Table, Oval

continued

Eames® Tables

Top/Edge Finish		
<i>For 54" deep x 144" wide (60V) with veneer top with veneer edge (W)</i>		
<b>2U</b>	light brown walnut	+\$585
<b>40</b>	dark brown walnut	+\$585
<b>9N</b>	santos palisander	+\$2750
<b>A2</b>	white ash	+\$585
<b>CHD</b>	noble cherry	+\$585
<b>EN</b>	ebony	+\$585
<b>OU</b>	walnut	+\$585
<b>UL</b>	natural maple	+\$585
<b>WHN</b>	natural white oak	+\$0

Top/Edge Finish		
<i>For 54" deep x 156" wide (61V) with veneer top with veneer edge (W)</i>		
<b>2U</b>	light brown walnut	+\$635
<b>40</b>	dark brown walnut	+\$635
<b>9N</b>	santos palisander	+\$3175
<b>A2</b>	white ash	+\$635
<b>CHD</b>	noble cherry	+\$635
<b>EN</b>	ebony	+\$635
<b>OU</b>	walnut	+\$635
<b>UL</b>	natural maple	+\$635
<b>WHN</b>	natural white oak	+\$0

Top/Edge Finish		
<i>For 54" deep x 168" wide (62V) with veneer top with veneer edge (W)</i>		
<b>2U</b>	light brown walnut	+\$690
<b>40</b>	dark brown walnut	+\$690
<b>9N</b>	santos palisander	+\$3450
<b>A2</b>	white ash	+\$690
<b>CHD</b>	noble cherry	+\$690
<b>EN</b>	ebony	+\$690
<b>OU</b>	walnut	+\$690
<b>UL</b>	natural maple	+\$690
<b>WHN</b>	natural white oak	+\$0

Top/Edge Finish		
<i>For 54" deep x 192" wide (64V) with veneer top with veneer edge (W)</i>		
<b>2U</b>	light brown walnut	+\$755
<b>40</b>	dark brown walnut	+\$755
<b>9N</b>	santos palisander	+\$3775
<b>A2</b>	white ash	+\$755
<b>CHD</b>	noble cherry	+\$755
<b>EN</b>	ebony	+\$755
<b>OU</b>	walnut	+\$755
<b>UL</b>	natural maple	+\$755
<b>WHN</b>	natural white oak	+\$0

Top/Edge Finish		
<i>For 54" deep x 216" wide (66V) with veneer top with veneer edge (W)</i>		
<b>2U</b>	light brown walnut	+\$815
<b>40</b>	dark brown walnut	+\$815
<b>9N</b>	santos palisander	+\$4075
<b>A2</b>	white ash	+\$815
<b>CHD</b>	noble cherry	+\$815
<b>EN</b>	ebony	+\$815
<b>OU</b>	walnut	+\$815
<b>UL</b>	natural maple	+\$815
<b>WHN</b>	natural white oak	+\$0

Top/Edge Finish		
<i>For 54" deep x 240" wide (68V) with veneer top with veneer edge (W)</i>		
<b>2U</b>	light brown walnut	+\$880
<b>40</b>	dark brown walnut	+\$880
<b>9N</b>	santos palisander	+\$4400
<b>A2</b>	white ash	+\$880
<b>CHD</b>	noble cherry	+\$880
<b>EN</b>	ebony	+\$880
<b>OU</b>	walnut	+\$880
<b>UL</b>	natural maple	+\$880
<b>WHN</b>	natural white oak	+\$0

Top/Edge Finish		
<i>For 54" deep x 264" wide (70V) with veneer top with veneer edge (W)</i>		
<b>2U</b>	light brown walnut	+\$950
<b>40</b>	dark brown walnut	+\$950
<b>9N</b>	santos palisander	+\$5320
<b>A2</b>	white ash	+\$950
<b>CHD</b>	noble cherry	+\$950
<b>EN</b>	ebony	+\$950
<b>OU</b>	walnut	+\$950
<b>UL</b>	natural maple	+\$950
<b>WHN</b>	natural white oak	+\$0

Top/Edge Finish		
<i>For 60" deep x 120" wide (71V) with veneer top with veneer edge (W)</i>		
<b>2U</b>	light brown walnut	+\$680
<b>40</b>	dark brown walnut	+\$680
<b>9N</b>	santos palisander	+\$3180
<b>A2</b>	white ash	+\$680
<b>CHD</b>	noble cherry	+\$680
<b>EN</b>	ebony	+\$680
<b>OU</b>	walnut	+\$680
<b>UL</b>	natural maple	+\$680
<b>WHN</b>	natural white oak	+\$0

# Eames® Conference Table, Oval

continued

Top/Edge Finish		
<i>For 60" deep x 144" wide (72V) with veneer top with veneer edge (W)</i>		
<b>2U</b>	light brown walnut	+\$740
<b>40</b>	dark brown walnut	+\$740
<b>9N</b>	santos palisander	+\$3440
<b>A2</b>	white ash	+\$740
<b>CHD</b>	noble cherry	+\$740
<b>EN</b>	ebony	+\$740
<b>OU</b>	walnut	+\$740
<b>UL</b>	natural maple	+\$740
<b>WHN</b>	natural white oak	+\$0

Top/Edge Finish		
<i>For 60" deep x 156" wide (73V) with veneer top with veneer edge (W)</i>		
<b>2U</b>	light brown walnut	+\$800
<b>40</b>	dark brown walnut	+\$800
<b>9N</b>	santos palisander	+\$3970
<b>A2</b>	white ash	+\$800
<b>CHD</b>	noble cherry	+\$800
<b>EN</b>	ebony	+\$800
<b>OU</b>	walnut	+\$800
<b>UL</b>	natural maple	+\$800
<b>WHN</b>	natural white oak	+\$0

Top/Edge Finish		
<i>For 60" deep x 168" wide (74V) with veneer top with veneer edge (W)</i>		
<b>2U</b>	light brown walnut	+\$870
<b>40</b>	dark brown walnut	+\$870
<b>9N</b>	santos palisander	+\$4320
<b>A2</b>	white ash	+\$870
<b>CHD</b>	noble cherry	+\$870
<b>EN</b>	ebony	+\$870
<b>OU</b>	walnut	+\$870
<b>UL</b>	natural maple	+\$870
<b>WHN</b>	natural white oak	+\$0

Top/Edge Finish		
<i>For 60" deep x 192" wide (75V) with veneer top with veneer edge (W)</i>		
<b>2U</b>	light brown walnut	+\$950
<b>40</b>	dark brown walnut	+\$950
<b>9N</b>	santos palisander	+\$5100
<b>A2</b>	white ash	+\$950
<b>CHD</b>	noble cherry	+\$950
<b>EN</b>	ebony	+\$950
<b>OU</b>	walnut	+\$950
<b>UL</b>	natural maple	+\$950
<b>WHN</b>	natural white oak	+\$0

Step 8. Edge Finish		
<i>For high-pressure laminate top with vinyl edge (L) or veneer top with vinyl edge (C)</i>		
<b>8Q</b>	folkstone grey	+\$0
<b>91</b>	white	+\$0
<b>98</b>	studio white	+\$0
<b>BK</b>	black	+\$0
<b>BU</b>	black umber	+\$0
<b>CL</b>	cool grey neutral	+\$0
<b>HF</b>	inner tone light	+\$0
<b>LT</b>	light tone	+\$0
<b>LU</b>	soft white	+\$0
<b>SG</b>	slate grey	+\$0
<b>WL</b>	sandstone	+\$0
<b>WN</b>	warm grey neutral	+\$0

Step 9. Grommet Finish		
<i>For 2 round cutouts, over columns (C2) or 3 round cutouts, over columns (C3)</i>		
<b>91</b>	white	+\$0
<b>BK</b>	black	+\$0
<b>PA</b>	polished aluminum	+\$0

<i>For single centered oval cutout (CR) or 2 round cutouts and center oval cutout (CA)</i>		
<b>91</b>	white	+\$0
<b>BK</b>	black	+\$0
<b>PA</b>	polished aluminum	+\$150

<i>For 2 oval cutouts (CM) or 2 round cutouts and 2 oval cutouts (CB)</i>		
<b>91</b>	white	+\$0
<b>BK</b>	black	+\$0
<b>PA</b>	polished aluminum	+\$300

<i>For 3 oval cutouts (CP) or 2 round cutouts and 3 oval cutouts (CE)</i>		
<b>91</b>	white	+\$0
<b>BK</b>	black	+\$0
<b>PA</b>	polished aluminum	+\$450

<i>For 4 oval cutouts (CN) or 3 round cutouts and 4 oval cutouts (CD)</i>		
<b>91</b>	white	+\$0
<b>BK</b>	black	+\$0
<b>PA</b>	polished aluminum	+\$600

# Eames® Conference Table, Oval

continued

Eames® Tables

## Step 10. Column Finish

<b>91</b>	white	+\$0
<b>BK</b>	black	+\$0
<b>BU</b>	black umber	+\$0
<b>CL</b>	cool grey neutral	+\$0
<b>CN</b>	metallic champagne	+\$0
<b>EH</b>	metallic bronze	+\$0
<b>G2</b>	graphite satin	+\$0
<b>HF</b>	inner tone light	+\$0
<b>LT</b>	light tone	+\$0
<b>LU</b>	soft white	+\$0
<b>MS</b>	metallic silver	+\$0
<b>MT</b>	medium tone	+\$0
<b>SG</b>	slate grey	+\$0
<b>WN</b>	warm grey neutral	+\$0

## Step 11. Base Finish

<b>91</b>	white	+\$0
<b>BK</b>	black	+\$0
<b>BU</b>	black umber	+\$0
<b>CL</b>	cool grey neutral	+\$0
<b>CN</b>	metallic champagne	+\$0
<b>EH</b>	metallic bronze	+\$0
<b>G2</b>	graphite satin	+\$0
<b>HF</b>	inner tone light	+\$0
<b>LT</b>	light tone	+\$0
<b>LU</b>	soft white	+\$0
<b>MS</b>	metallic silver	+\$0
<b>MT</b>	medium tone	+\$0
<b>PA</b>	polished aluminum	+\$0
<b>SG</b>	slate grey	+\$0
<b>WN</b>	warm grey neutral	+\$0

## Step 12. Casters/Glides

For 30" deep x 60" wide (87V), 30" deep x 72" wide (88V), 36" deep x 60" wide (49V), 36" deep x 72" wide (43V), 36" deep x 84" wide (44V), 36" deep x 96" wide (89V), 42" deep x 66" wide (50V), 42" deep x 72" wide (51V), 42" deep x 78" wide (52V), 42" deep x 84" wide (53V), 48" deep x 84" wide (54V), or 48" deep x 96" wide (47V) with high-pressure laminate top with vinyl edge (L), or veneer top with vinyl edge (C), or veneer top with veneer edge (W), or thin profile HPL top with black edge (M), or solid wood top (SW)

<b>G</b>	glides	+\$0
<b>C</b>	casters	+\$80

For 54" deep x 108" wide (57V), 54" deep x 120" wide (58V), 54" deep x 144" wide (60V), 54" deep x 156" wide (61V), 54" deep x 168" wide (62V), 54" deep x 192" wide (64V), 54" deep x 216" wide (66V), 54" deep x 240" wide (68V), 54" deep x 264" wide (70V), 60" deep x 120" wide (71V), 60" deep x 144" wide (72V), 60" deep x 156" wide (73V), 60" deep x 168" wide (74V), 60" deep x 192" wide (75V), 60" deep x 216" wide (76V), 60" deep x 240" wide (77V), or 60" deep x 264" wide (78V) with high-pressure laminate top with vinyl edge (L), or veneer top with vinyl edge (C), or veneer top with veneer edge (W)

<b>G</b>	glides	+\$0
----------	--------	------

For 30" deep x 60" wide (87V), 30" deep x 72" wide (88V), 36" deep x 60" wide (49V), 36" deep x 72" wide (43V), 36" deep x 84" wide (44V), 36" deep x 96" wide (89V), 42" deep x 66" wide (50V), 42" deep x 72" wide (51V), 42" deep x 78" wide (52V), 42" deep x 84" wide (53V), 48" deep x 84" wide (54V), 48" deep x 96" wide (47V), 54" deep x 90" wide (55V), 54" deep x 96" wide (56V), 54" deep x 108" wide (57V), 54" deep x 120" wide (58V), or 60" deep x 120" wide (71V) with back-painted glass top (G)

<b>G</b>	glides	+\$0
----------	--------	------

For 54" deep x 90" wide (55V) or 54" deep x 96" wide (56V) with high-pressure laminate top with vinyl edge (L), or veneer top with vinyl edge (C), or veneer top with veneer edge (W)

<b>G</b>	glides	+\$0
----------	--------	------

Eames® Conference Table,  
Round, Stone

ET107  
ET108  
ET109  
ET110



**Product Information**

**Description**

This table has a stone top and comes with adjustable glides. Ships knocked down with assembly required. Top and base components ship in separate packages.

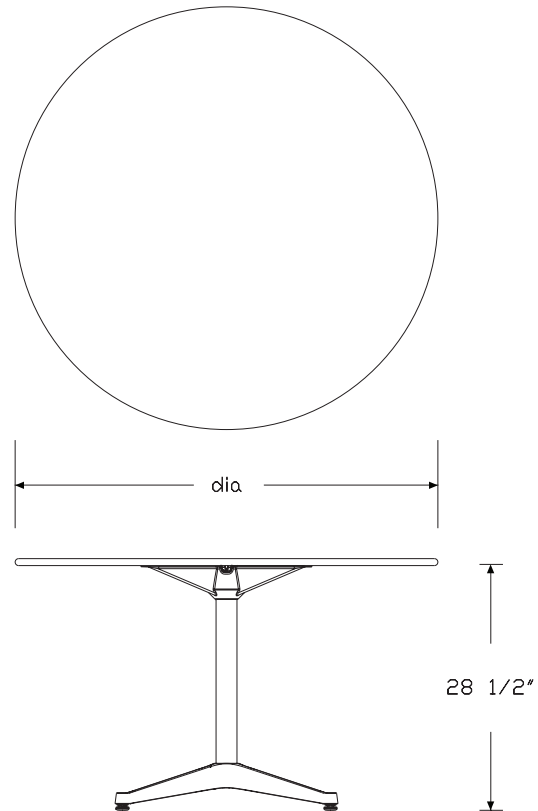
**Notes**

Stone top is  $\frac{3}{4}$ " thick and has a full bullnose edge profile.

Marble tops have a honed finish; quartz tops have a polished finish.

Natural characteristics in stone cause variations in hues, veins, crystals, and distinctive marks. These variations and subtle changes seen as the stone ages are values associated with natural materials. No two tabletops are identically the same; variations in both color and veining are to be expected. Over time the stone may fade in color, staining of the surface may appear, and surface cracks, if not already visible at time of purchase, may appear. Small cracks do not affect the structure of the tabletop.

**Dimensions**



Contract Base



Universal Base

# Eames® Conference Table, Round, Stone *continued*

Eames® Tables

## Specification Information

### Step 1.

**ET**  A

### Step 2. Height

**1** 28½" high  A

### Step 3. Diameter

**07** 30" diameter  A

**08** 36" diameter  A

**09** 42" diameter  A

**10** 48" diameter  A

### Step 4. Base

#### For 30" diameter (07) or 36" diameter (08)

**U** universal base  A

**C** contract base  A

#### For 42" diameter (09) or 48" diameter (10)

**C** contract base  A

### Step 5. Surface Material

**S** stone top  A

### Prices for Steps 1-5.

**S**

**ET107 U** \$5845

**C** \$5845

**ET108 U** \$7050

**C** \$7050

**ET109 C** \$10260

**ET110 C** \$10627

### Step 6. Top Finish

#### For 30" diameter (07) with stone top (S)

**5U** georgia grey marble  A +\$436

**CRR** Carrara marble  A +\$436

**QBL** black quartz  A +\$270

**QCN** concrete quartz  A -\$250

**QPL** pearl quartz  A -\$250

#### For 36" diameter (08) with stone top (S)

**5U** georgia grey marble  A +\$526

**CRR** Carrara marble  A +\$0

**QBL** black quartz  A -\$300

**QCN** concrete quartz  A -\$900

**QPL** pearl quartz  A -\$900

#### For 42" diameter (09) with stone top (S)

**5U** georgia grey marble  A +\$610

**CRR** Carrara marble  A -\$1000

**QBL** black quartz  A -\$1200

**QCN** concrete quartz  A -\$1800

**QPL** pearl quartz  A -\$1800

#### For 48" diameter (10) with stone top (S)

**5U** georgia grey marble  A +\$711

**CRR** Carrara marble  A -\$1000

**QBL** black quartz  A -\$1200

**QCN** concrete quartz  A -\$1800

**QPL** pearl quartz  A -\$1800

### Step 7. Column Finish

**91** white  A +\$0

**BK** black  A +\$0

**BU** black umber  A +\$0

**CL** cool grey neutral  A +\$0

**G2** graphite satin  A +\$0

**HF** inner tone light  A +\$0

**LT** light tone  A +\$0

**LU** soft white  A +\$0

**MT** medium tone  A +\$0

**SG** slate grey  A +\$0

**WN** warm grey neutral  A +\$0

**CN** metallic champagne  A +\$0

**EH** metallic bronze  A +\$0

**MS** metallic silver  A +\$0



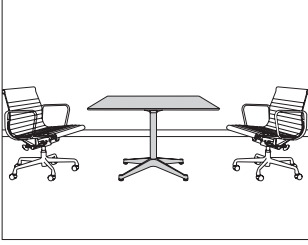
Eames® Conference Table,  
Round, Stone *continued*

Step 8. Base Finish

<b>91</b>	white <input type="checkbox"/>	+\$0
<b>BK</b>	black <input type="checkbox"/>	+\$0
<b>BU</b>	black umber <input type="checkbox"/>	+\$0
<b>CL</b>	cool grey neutral <input type="checkbox"/>	+\$0
<b>G2</b>	graphite satin <input type="checkbox"/>	+\$0
<b>HF</b>	inner tone light <input type="checkbox"/>	+\$0
<b>LT</b>	light tone <input type="checkbox"/>	+\$0
<b>LU</b>	soft white <input type="checkbox"/>	+\$0
<b>MT</b>	medium tone <input type="checkbox"/>	+\$0
<b>PA</b>	polished aluminum <input type="checkbox"/>	+\$0
<b>SG</b>	slate grey <input type="checkbox"/>	+\$0
<b>WN</b>	warm grey neutral <input type="checkbox"/>	+\$0
<b>CN</b>	metallic champagne <input type="checkbox"/>	+\$0
<b>EH</b>	metallic bronze <input type="checkbox"/>	+\$0
<b>MS</b>	metallic silver <input type="checkbox"/>	+\$0

Eames® Conference Table,  
Square, Stone

ET104  
ET106



Eames® Tables

**Product Information**

**Description**

This table has a stone top and comes with adjustable glides. Ships knocked down with assembly required. Top and base components ship in separate packages.

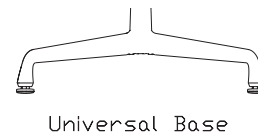
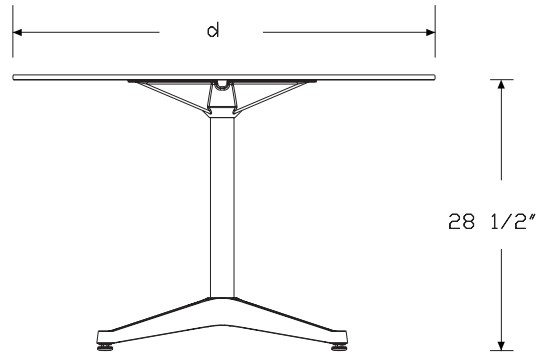
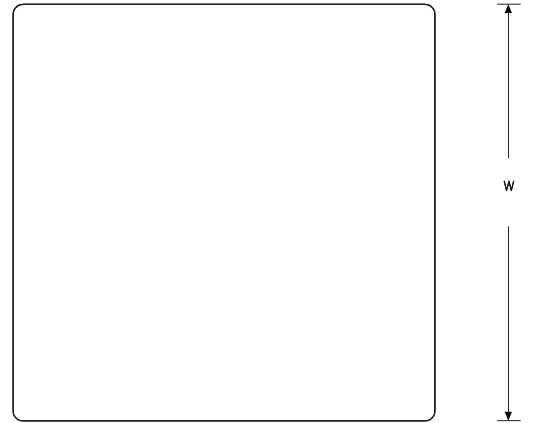
**Notes**

Stone top is  $\frac{3}{4}$ " thick and has a full bullnose edge profile.

Marble tops have a honed finish; quartz tops have a polished finish.

Natural characteristics in stone cause variations in hues, veins, crystals, and distinctive marks. These variations and subtle changes seen as the stone ages are values associated with natural materials. No two tabletops are identically the same; variations in both color and veining are to be expected. Over time the stone may fade in color, staining of the surface may appear, and surface cracks, if not already visible at time of purchase, may appear. Small cracks do not affect the structure of the tabletop.

**Dimensions**



# Eames® Conference Table, Square, Stone *continued*

## Specification Information

### Step 1.

**ET**

### Step 2. Height

**1** 28½" high

### Step 3. Depth/Width

**04** 30" deep x 30" wide

**06** 42" deep x 42" wide

### Step 4. Base

#### For 30" deep x 30" wide (04)

**U** universal base

**C** contract base

#### For 42" deep x 42" wide (06)

**C** contract base

### Step 5. Surface Material

**S** stone top

### Prices for Steps 1-5.

	<b>S</b>
<b>ET104 U</b>	\$5845
<b>C</b>	\$5845
<b>ET106 C</b>	\$9961

### Step 6. Top Finish

#### For 30" deep x 30" wide (04) with stone top (S)

<b>5U</b> georgia grey marble <input type="checkbox"/>	+\$436
<b>CRR</b> Carrara marble <input type="checkbox"/>	+\$436
<b>QBL</b> black quartz <input type="checkbox"/>	+\$270
<b>QCN</b> concrete quartz <input type="checkbox"/>	-\$250
<b>QPL</b> pearl quartz <input type="checkbox"/>	-\$250

#### For 42" deep x 42" wide (06) with stone top (S)

<b>5U</b> georgia grey marble <input type="checkbox"/>	+\$610
<b>CRR</b> Carrara marble <input type="checkbox"/>	-\$1000
<b>QBL</b> black quartz <input type="checkbox"/>	-\$1200
<b>QCN</b> concrete quartz <input type="checkbox"/>	-\$1800
<b>QPL</b> pearl quartz <input type="checkbox"/>	-\$1800

### Step 7. Column Finish

<b>91</b> white <input type="checkbox"/>	+\$0
<b>BK</b> black <input type="checkbox"/>	+\$0
<b>BU</b> black umber <input type="checkbox"/>	+\$0
<b>CL</b> cool grey neutral <input type="checkbox"/>	+\$0
<b>G2</b> graphite satin <input type="checkbox"/>	+\$0
<b>HF</b> inner tone light <input type="checkbox"/>	+\$0
<b>LT</b> light tone <input type="checkbox"/>	+\$0
<b>LU</b> soft white <input type="checkbox"/>	+\$0
<b>MT</b> medium tone <input type="checkbox"/>	+\$0
<b>SG</b> slate grey <input type="checkbox"/>	+\$0
<b>WN</b> warm grey neutral <input type="checkbox"/>	+\$0
<b>CN</b> metallic champagne <input type="checkbox"/>	+\$0
<b>EH</b> metallic bronze <input type="checkbox"/>	+\$0
<b>MS</b> metallic silver <input type="checkbox"/>	+\$0

### Step 8. Base Finish

<b>91</b> white <input type="checkbox"/>	+\$0
<b>BK</b> black <input type="checkbox"/>	+\$0
<b>BU</b> black umber <input type="checkbox"/>	+\$0
<b>CL</b> cool grey neutral <input type="checkbox"/>	+\$0
<b>G2</b> graphite satin <input type="checkbox"/>	+\$0
<b>HF</b> inner tone light <input type="checkbox"/>	+\$0
<b>LT</b> light tone <input type="checkbox"/>	+\$0
<b>LU</b> soft white <input type="checkbox"/>	+\$0
<b>MT</b> medium tone <input type="checkbox"/>	+\$0
<b>PA</b> polished aluminum <input type="checkbox"/>	+\$0
<b>SG</b> slate grey <input type="checkbox"/>	+\$0
<b>WN</b> warm grey neutral <input type="checkbox"/>	+\$0
<b>CN</b> metallic champagne <input type="checkbox"/>	+\$0
<b>EH</b> metallic bronze <input type="checkbox"/>	+\$0
<b>MS</b> metallic silver <input type="checkbox"/>	+\$0

Eames® Conference Table,  
Rectangular, Stone

ET143  
ET150  
ET152  
ET187



Eames® Tables

**Product Information**

**Description**

This table has a stone top and comes with adjustable glides. Ships knocked down with assembly required. Top and base components ship in separate packages.

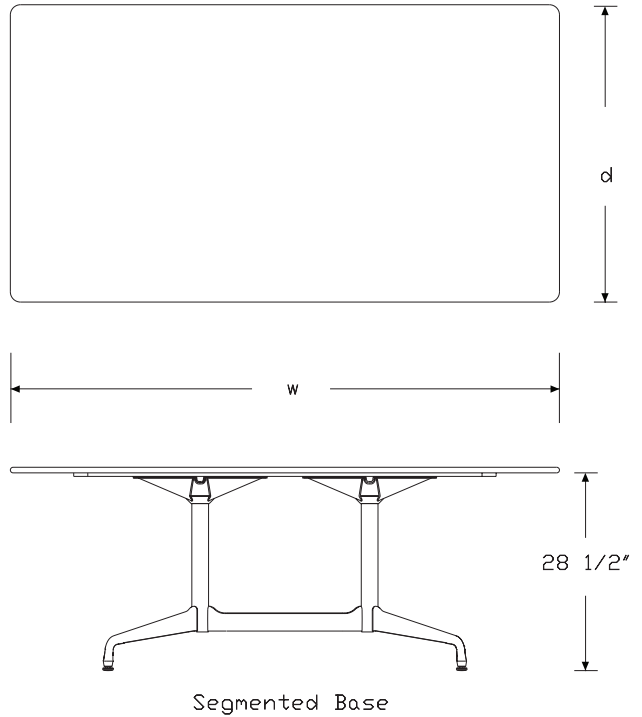
**Notes**

Stone top is  $\frac{3}{4}$ " thick and has a full bullnose edge profile.

Marble tops have a honed finish; quartz tops have a polished finish.

Natural characteristics in stone cause variations in hues, veins, crystals, and distinctive marks. These variations and subtle changes seen as the stone ages are values associated with natural materials. No two tabletops are identically the same; variations in both color and veining are to be expected. Over time the stone may fade in color, staining of the surface may appear, and surface cracks, if not already visible at time of purchase, may appear. Small cracks do not affect the structure of the tabletop.

**Dimensions**



# Eames® Conference Table, Rectangular, Stone *continued*

## Specification Information

### Step 1.

**ET**

### Step 2. Height

**1** 28½" high

### Step 3. Depth/Width

**87R** 30" deep x 60" wide

**43R** 36" deep x 72" wide

**50R** 42" deep x 66" wide

**52R** 42" deep x 78" wide

### Step 4. Base

**S** segmented base

### Step 5. Surface Material

**S** stone top

### Prices for Steps 1-5.

	<b>S</b>
<b>ET187R S</b>	\$13339
<b>ET143R S</b>	\$14918
<b>ET150R S</b>	\$14524
<b>ET152R S</b>	\$15759

### Step 6. Top Finish

<i>For 30" deep x 60" wide (87R) with stone top (S)</i>	
<b>5U</b> georgia grey marble <input type="checkbox"/>	+\$1026
<b>CRR</b> Carrara marble <input type="checkbox"/>	-\$500
<b>QBL</b> black quartz <input type="checkbox"/>	-\$1400
<b>QCN</b> concrete quartz <input type="checkbox"/>	-\$2200
<b>QPL</b> pearl quartz <input type="checkbox"/>	-\$2200

<i>For 36" deep x 72" wide (43R) with stone top (S)</i>	
<b>5U</b> georgia grey marble <input type="checkbox"/>	+\$1148
<b>CRR</b> Carrara marble <input type="checkbox"/>	-\$500
<b>QBL</b> black quartz <input type="checkbox"/>	-\$1200
<b>QCN</b> concrete quartz <input type="checkbox"/>	-\$3000
<b>QPL</b> pearl quartz <input type="checkbox"/>	-\$3000

<i>For 42" deep x 66" wide (50R) with stone top (S)</i>	
<b>5U</b> georgia grey marble <input type="checkbox"/>	+\$0
<b>CRR</b> Carrara marble <input type="checkbox"/>	-\$500
<b>QBL</b> black quartz <input type="checkbox"/>	-\$1400
<b>QCN</b> concrete quartz <input type="checkbox"/>	-\$3000
<b>QPL</b> pearl quartz <input type="checkbox"/>	-\$3000

<i>For 42" deep x 78" wide (52R) with stone top (S)</i>	
<b>5U</b> georgia grey marble <input type="checkbox"/>	+\$0
<b>CRR</b> Carrara marble <input type="checkbox"/>	-\$800
<b>QBL</b> black quartz <input type="checkbox"/>	-\$1200
<b>QCN</b> concrete quartz <input type="checkbox"/>	-\$3000
<b>QPL</b> pearl quartz <input type="checkbox"/>	-\$3000

Step 7. Column Finish	
<b>91</b> white <input type="checkbox"/>	+\$0
<b>BK</b> black <input type="checkbox"/>	+\$0
<b>BU</b> black umber <input type="checkbox"/>	+\$0
<b>CL</b> cool grey neutral <input type="checkbox"/>	+\$0
<b>G2</b> graphite satin <input type="checkbox"/>	+\$0
<b>HF</b> inner tone light <input type="checkbox"/>	+\$0
<b>LT</b> light tone <input type="checkbox"/>	+\$0
<b>LU</b> soft white <input type="checkbox"/>	+\$0
<b>MT</b> medium tone <input type="checkbox"/>	+\$0
<b>SG</b> slate grey <input type="checkbox"/>	+\$0
<b>WN</b> warm grey neutral <input type="checkbox"/>	+\$0
<b>CN</b> metallic champagne <input type="checkbox"/>	+\$0
<b>EH</b> metallic bronze <input type="checkbox"/>	+\$0
<b>MS</b> metallic silver <input type="checkbox"/>	+\$0

Step 8. Base Finish	
<b>91</b> white <input type="checkbox"/>	+\$0
<b>BK</b> black <input type="checkbox"/>	+\$0
<b>BU</b> black umber <input type="checkbox"/>	+\$0
<b>CL</b> cool grey neutral <input type="checkbox"/>	+\$0
<b>G2</b> graphite satin <input type="checkbox"/>	+\$0
<b>HF</b> inner tone light <input type="checkbox"/>	+\$0
<b>LT</b> light tone <input type="checkbox"/>	+\$0
<b>LU</b> soft white <input type="checkbox"/>	+\$0
<b>MT</b> medium tone <input type="checkbox"/>	+\$0
<b>PA</b> polished aluminum <input type="checkbox"/>	+\$0
<b>SG</b> slate grey <input type="checkbox"/>	+\$0
<b>WN</b> warm grey neutral <input type="checkbox"/>	+\$0
<b>CN</b> metallic champagne <input type="checkbox"/>	+\$0
<b>EH</b> metallic bronze <input type="checkbox"/>	+\$0
<b>MS</b> metallic silver <input type="checkbox"/>	+\$0

Eames® Conference Table, Oval,  
Stone

ET143  
ET150  
ET152  
ET187



Eames® Tables

**Product Information**

**Description**

This table has a stone top and comes with adjustable glides. Ships knocked down with assembly required. Top and base components ship in separate packages.

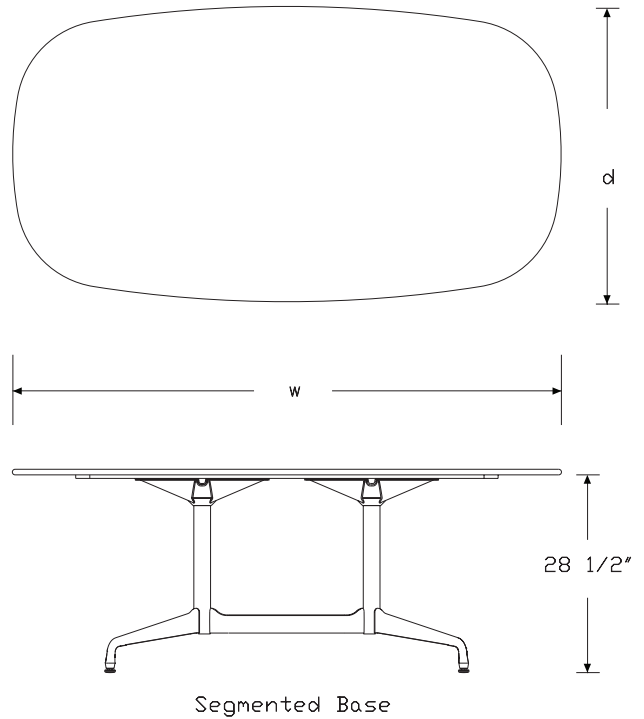
**Notes**

Stone top is  $\frac{3}{4}$ " thick and has a full bullnose edge profile.

Marble tops have a honed finish; quartz tops have a polished finish.

Natural characteristics in stone cause variations in hues, veins, crystals, and distinctive marks. These variations and subtle changes seen as the stone ages are values associated with natural materials. No two tabletops are identically the same; variations in both color and veining are to be expected. Over time the stone may fade in color, staining of the surface may appear, and surface cracks, if not already visible at time of purchase, may appear. Small cracks do not affect the structure of the tabletop.

**Dimensions**



Eames® Conference Table, Oval,  
Stone *continued*

**Specification Information**

Step 1.

ET

Step 2. Height

1 28½" high

Step 3. Depth/Width

87V 30" deep x 60" wide

43V 36" deep x 72" wide

50V 42" deep x 66" wide

52V 42" deep x 78" wide

Step 4. Base

S segmented base

Step 5. Surface Material

S stone top

Prices for Steps 1-5.

	<b>S</b>
<b>ET187V S</b>	\$13740
<b>ET143V S</b>	\$15366
<b>ET150V S</b>	\$14524
<b>ET152V S</b>	\$15759

Step 6. Top Finish

*For 30" deep x 60" wide (87V) with stone top (S)*

<b>5U</b> georgia grey marble <input type="checkbox"/>	+\$700
<b>CRR</b> Carrara marble <input type="checkbox"/>	+\$450
<b>QBL</b> black quartz <input type="checkbox"/>	-\$400
<b>QCN</b> concrete quartz <input type="checkbox"/>	-\$1200
<b>QPL</b> pearl quartz <input type="checkbox"/>	-\$1200

*For 36" deep x 72" wide (43V) with stone top (S)*

<b>5U</b> georgia grey marble <input type="checkbox"/>	+\$0
<b>CRR</b> Carrara marble <input type="checkbox"/>	-\$300
<b>QBL</b> black quartz <input type="checkbox"/>	-\$350
<b>QCN</b> concrete quartz <input type="checkbox"/>	-\$2000
<b>QPL</b> pearl quartz <input type="checkbox"/>	-\$2000

*For 42" deep x 66" wide (50V) with stone top (S)*

<b>5U</b> georgia grey marble <input type="checkbox"/>	+\$1117
<b>CRR</b> Carrara marble <input type="checkbox"/>	+\$500
<b>QBL</b> black quartz <input type="checkbox"/>	-\$500
<b>QCN</b> concrete quartz <input type="checkbox"/>	-\$2000
<b>QPL</b> pearl quartz <input type="checkbox"/>	-\$2000

*For 42" deep x 78" wide (52V) with stone top (S)*

<b>5U</b> georgia grey marble <input type="checkbox"/>	+\$1177
<b>CRR</b> Carrara marble <input type="checkbox"/>	+\$500
<b>QBL</b> black quartz <input type="checkbox"/>	-\$500
<b>QCN</b> concrete quartz <input type="checkbox"/>	-\$2000
<b>QPL</b> pearl quartz <input type="checkbox"/>	-\$2000

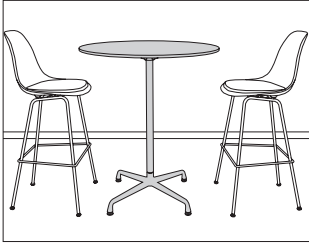
Step 7. Column Finish

<b>91</b> white <input type="checkbox"/>	+\$0
<b>BK</b> black <input type="checkbox"/>	+\$0
<b>BU</b> black umber <input type="checkbox"/>	+\$0
<b>CL</b> cool grey neutral <input type="checkbox"/>	+\$0
<b>G2</b> graphite satin <input type="checkbox"/>	+\$0
<b>HF</b> inner tone light <input type="checkbox"/>	+\$0
<b>LT</b> light tone <input type="checkbox"/>	+\$0
<b>LU</b> soft white <input type="checkbox"/>	+\$0
<b>MT</b> medium tone <input type="checkbox"/>	+\$0
<b>SG</b> slate grey <input type="checkbox"/>	+\$0
<b>WN</b> warm grey neutral <input type="checkbox"/>	+\$0
<b>CN</b> metallic champagne <input type="checkbox"/>	+\$0
<b>EH</b> metallic bronze <input type="checkbox"/>	+\$0
<b>MS</b> metallic silver <input type="checkbox"/>	+\$0

Step 8. Base Finish

<b>91</b> white <input type="checkbox"/>	+\$0
<b>BK</b> black <input type="checkbox"/>	+\$0
<b>BU</b> black umber <input type="checkbox"/>	+\$0
<b>CL</b> cool grey neutral <input type="checkbox"/>	+\$0
<b>G2</b> graphite satin <input type="checkbox"/>	+\$0
<b>HF</b> inner tone light <input type="checkbox"/>	+\$0
<b>LT</b> light tone <input type="checkbox"/>	+\$0
<b>LU</b> soft white <input type="checkbox"/>	+\$0
<b>MT</b> medium tone <input type="checkbox"/>	+\$0
<b>PA</b> polished aluminum <input type="checkbox"/>	+\$0
<b>SG</b> slate grey <input type="checkbox"/>	+\$0
<b>WN</b> warm grey neutral <input type="checkbox"/>	+\$0
<b>CN</b> metallic champagne <input type="checkbox"/>	+\$0
<b>EH</b> metallic bronze <input type="checkbox"/>	+\$0
<b>MS</b> metallic silver <input type="checkbox"/>	+\$0

## Eames® Standing Height Table, Round



ET407  
ET408  
ET422  
ET423  
ET424  
ET425  
ET426  
ET427  
ET429

ET431  
ET507  
ET508  
ET522  
ET523  
ET524  
ET525  
ET526  
ET527

ET529  
ET531

### Product Information

#### Description

This table has a laminate or veneer top with vinyl edge, a veneer top and edge, a thin-profile HPL top with black edge, a back-painted glass top with modified bullnose edge, or a solid wood top. Table may be specified with cutouts to accommodate simple power options (specified separately). Each table has adjustable glides. Shipped knocked down.

#### Notes

30"-60" tables have a 1-piece top and single column base. 66"-96" tables have 2-piece tops and a 4-column segmented base.

Laminate and veneer tops 30"-48" diameter are 7/8" thick; tops 54"-96" diameter are 1 1/4" thick.

Thin profile HPL tops are 1/2" thick.

Glass tops are back-painted, with a satin etch finish to reduce the appearance of fingerprints. Tops 30"-48" diameter are 1/2" thick; tops 54"-60" diameter are 1/2" thick with a Formcoat® substructure.

30" and 36" diameter tables may only accommodate USB access.

Single center cutout (CC) grommet option must be specified. Grommet option is a non-functional hole plug. For USB access, order round dual USB charging unit (ET990.) separately.

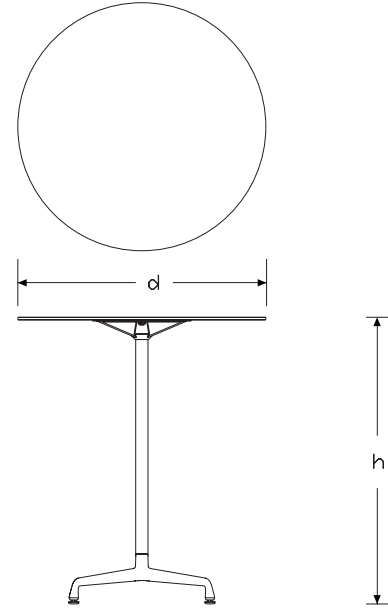
42"-60" diameter tables may accommodate power. Single center cutout (CC) grommet option must be specified. Grommet provides simple pass-through with wire management features and a hinged lid.

For power access, order round power module (ET991.) separately.

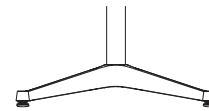
Multiple column tables (66"-96" diameter) may accommodate up to 4 power modules. Four cutouts (C4) option must be specified; cutouts are aligned above the columns. Grommets provide simple pass-through with wire management features and a hinged lid. For power access, order round power module (ET991.) separately.

Santos palisander veneer is celebrated for its unique grain and color variations. Similar products ordered in multiples or dissimilar products ordered separately should be expected to have variation in both grain and color characteristics; no two products will look exactly alike.

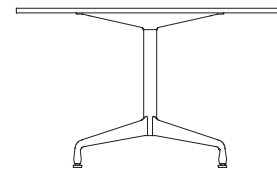
### Dimensions



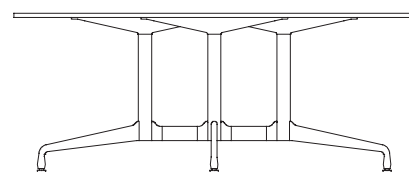
Universal Base



Contract Base



30"-60" Diameter, Segmented Base



66"-96" Diameter, Segmented Base



# Eames® Standing Height Table, Round *continued*

Specification Information	
Step 1.	
<b>ET</b>	
Step 2. Height	
<b>4</b>	36" high
<b>5</b>	42" high
Step 3. Diameter	
<b>07</b>	30" diameter
<b>08</b>	36" diameter
<b>22</b>	42" diameter
<b>23</b>	48" diameter
<b>24</b>	54" diameter
<b>25</b>	60" diameter
<b>26</b>	66" diameter
<b>27</b>	72" diameter
<b>29</b>	84" diameter
<b>31</b>	96" diameter
Step 4. Base	
<i>For 30" diameter (07) or 36" diameter (08)</i>	
<b>C</b>	contract base
<b>U</b>	universal base
<i>For 42" diameter (22) or 48" diameter (23)</i>	
<b>C</b>	contract base
<b>S</b>	segmented base
<i>For 54" diameter (24), 60" diameter (25), 66" diameter (26), 72" diameter (27), 84" diameter (29), or 96" diameter (31)</i>	
<b>S</b>	segmented base
Step 5. Surface Material	
<i>For 30" diameter (07), 36" diameter (08), or 42" diameter (22)</i>	
<b>L</b>	high-pressure laminate top with vinyl edge
<b>C</b>	veneer top with vinyl edge <span style="border: 1px solid black; padding: 0 2px;">A</span>
<b>W</b>	veneer top with veneer edge <span style="border: 1px solid black; padding: 0 2px;">A</span>
<b>M</b>	thin profile HPL top with black edge
<b>G</b>	back-painted glass top
<b>SW</b>	solid wood top <span style="border: 1px solid black; padding: 0 2px;">A</span>

<i>For 48" diameter (23)</i>	
<b>L</b>	high-pressure laminate top with vinyl edge <span style="border: 1px solid black; padding: 0 2px;">A</span>
<b>C</b>	veneer top with vinyl edge <span style="border: 1px solid black; padding: 0 2px;">A</span>
<b>W</b>	veneer top with veneer edge <span style="border: 1px solid black; padding: 0 2px;">A</span>
<b>M</b>	thin profile HPL top with black edge <span style="border: 1px solid black; padding: 0 2px;">A</span>
<b>G</b>	back-painted glass top <span style="border: 1px solid black; padding: 0 2px;">A</span>

<i>For 66" diameter (26), 72" diameter (27), 84" diameter (29), or 96" diameter (31)</i>	
<b>L</b>	high-pressure laminate top with vinyl edge
<b>C</b>	veneer top with vinyl edge
<b>W</b>	veneer top with veneer edge

<i>For 54" diameter (24) or 60" diameter (25)</i>	
<b>L</b>	high-pressure laminate top with vinyl edge <span style="border: 1px solid black; padding: 0 2px;">A</span>
<b>C</b>	veneer top with vinyl edge <span style="border: 1px solid black; padding: 0 2px;">A</span>
<b>W</b>	veneer top with veneer edge <span style="border: 1px solid black; padding: 0 2px;">A</span>
<b>G</b>	back-painted glass top <span style="border: 1px solid black; padding: 0 2px;">A</span>

Step 6. Grommets	
<i>For 30" diameter (07), 36" diameter (08), 42" diameter (22), 48" diameter (23), 54" diameter (24), or 60" diameter (25)</i>	
<b>NG</b>	no grommet
<b>CC</b>	single center cutout

<i>For 66" diameter (26), 72" diameter (27), 84" diameter (29), or 96" diameter (31)</i>	
<b>NG</b>	no grommet
<b>C4</b>	four cutouts

Prices for Steps 1-6.				
		<b>NG</b>	<b>C4</b>	<b>CC</b>
<b>ET407</b>	<b>C</b>	<b>L</b>	\$1391	— 1457
		<b>C</b>	\$1608	— 1671
	<b>W</b>	<b>W</b>	\$1794	— 1862
		<b>M</b>	\$2417	— 2530
	<b>G</b>	<b>G</b>	\$5118	— 5724
		<b>SW</b>	\$4371	— 5029
	<b>U</b>	<b>L</b>	\$1391	— 1457
		<b>C</b>	\$1608	— 1671
		<b>W</b>	\$1794	— 1862
		<b>M</b>	\$2417	— 2530
<b>G</b>		\$5118	— 5724	
<b>SW</b>		\$4371	— 5029	

Eames® Standing Height Table,  
Round *continued*

Eames® Tables

			NG	C4	CC
ET408	C	L	\$1592	—	1658
		C	\$1826	—	1888
		W	\$2082	—	2149
		M	\$3108	—	3225
		G	\$6587	—	7181
		SW	\$6024	—	6682
U	L	L	\$1592	—	1658
		C	\$1826	—	1888
		W	\$2082	—	2149
		M	\$3108	—	3225
		G	\$6587	—	7181
		SW	\$6024	—	6682
ET422	C	L	\$1983	—	2315
		C	\$2255	—	2590
		W	\$2517	—	2847
		M	\$4826	—	5159
		G	\$8495	—	9274
		SW	\$7091	—	7750
S	L	L	\$1983	—	2315
		C	\$2255	—	2590
		W	\$2517	—	2847
		M	\$4826	—	5159
		G	\$8495	—	9274
		SW	\$7091	—	7750
ET423	C	L	\$2170	—	2502
		C	\$2459	—	2791
		W	\$2704	—	3037
		M	\$4942	—	5276
		G	\$10474	—	11268
		S	L	L	\$2170
C	\$2459			—	2791
W	\$2704			—	3037
M	\$4942			—	5276
G	\$10474			—	11268
ET424	S			L	\$2660
		C	\$3065	—	3398
		W	\$3253	—	3585
		G	\$14664	—	15196

			NG	C4	CC
ET425	S	L	\$3398	—	3728
		C	\$3872	—	4205
		W	\$4307	—	4638
		G	\$17536	—	18228
ET426	S	L	\$5316	6645	—
		C	\$5822	7152	—
		W	\$6400	7729	—
ET427	S	L	\$5515	6846	—
		C	\$6169	7498	—
		W	\$6817	8145	—
ET429	S	L	\$6154	7482	—
		C	\$7065	8394	—
		W	\$7788	9116	—
ET431	S	L	\$7350	8679	—
		C	\$8551	9879	—
		W	\$9420	10746	—
ET507	C	L	\$1391	—	1457
		C	\$1608	—	1671
		W	\$1794	—	1862
		M	\$2417	—	2530
		G	\$5118	—	5724
		SW	\$4371	—	5029
U	L	L	\$1391	—	1457
		C	\$1608	—	1671
		W	\$1794	—	1862
		M	\$2417	—	2530
		G	\$5118	—	5724
		SW	\$4371	—	5029
ET508	C	L	\$1592	—	1658
		C	\$1826	—	1888
		W	\$2082	—	2149
		M	\$3108	—	3225
		G	\$6587	—	7181
		SW	\$6024	—	6682

Eames® Standing Height Table,  
Round *continued*

<b>U</b>	<b>L</b>	\$1592	—	1658
	<b>C</b>	\$1826	—	1888
	<b>W</b>	\$2082	—	2149
	<b>M</b>	\$3108	—	3225
	<b>G</b>	\$6587	—	7181
	<b>SW</b>	\$6024	—	6682
		<b>NG</b>	<b>C4</b>	<b>CC</b>
<b>ET522</b>	<b>C</b>	<b>L</b>	\$1983	— 2315
		<b>C</b>	\$2255	— 2590
		<b>W</b>	\$2517	— 2847
		<b>M</b>	\$4826	— 5159
		<b>G</b>	\$8495	— 9274
		<b>SW</b>	\$7091	— 7750
	<b>S</b>	<b>L</b>	\$1983	— 2315
		<b>C</b>	\$2255	— 2590
		<b>W</b>	\$2517	— 2847
		<b>M</b>	\$4826	— 5159
		<b>G</b>	\$8495	— 9274
		<b>SW</b>	\$7091	— 7750
		<b>NG</b>	<b>C4</b>	<b>CC</b>
<b>ET523</b>	<b>C</b>	<b>L</b>	\$2170	— 2502
		<b>C</b>	\$2459	— 2791
		<b>W</b>	\$2704	— 3037
		<b>M</b>	\$4942	— 5276
		<b>G</b>	\$10474	— 11268
	<b>S</b>	<b>L</b>	\$2170	— 2502
		<b>C</b>	\$2459	— 2791
		<b>W</b>	\$2704	— 3037
		<b>M</b>	\$4942	— 5276
		<b>G</b>	\$10474	— 11268
		<b>NG</b>	<b>C4</b>	<b>CC</b>
<b>ET524</b>	<b>S</b>	<b>L</b>	\$2660	— 2994
		<b>C</b>	\$3065	— 3398
		<b>W</b>	\$3253	— 3585
		<b>G</b>	\$14664	— 15196
		<b>NG</b>	<b>C4</b>	<b>CC</b>
<b>ET525</b>	<b>S</b>	<b>L</b>	\$3398	— 3728
		<b>C</b>	\$3872	— 4205
		<b>W</b>	\$4307	— 4638
		<b>G</b>	\$17536	— 18228

<b>ET526</b>	<b>S</b>	<b>L</b>	\$5316	6645	—
		<b>C</b>	\$5822	7152	—
		<b>W</b>	\$6400	7729	—
		<b>NG</b>	<b>C4</b>	<b>CC</b>	
<b>ET527</b>	<b>S</b>	<b>L</b>	\$5515	6846	—
		<b>C</b>	\$6169	7498	—
		<b>W</b>	\$6817	8145	—
		<b>NG</b>	<b>C4</b>	<b>CC</b>	
<b>ET529</b>	<b>S</b>	<b>L</b>	\$6154	7482	—
		<b>C</b>	\$7065	8394	—
		<b>W</b>	\$7788	9116	—
		<b>NG</b>	<b>C4</b>	<b>CC</b>	
<b>ET531</b>	<b>S</b>	<b>L</b>	\$7350	8679	—
		<b>C</b>	\$8551	9879	—
		<b>W</b>	\$9420	10746	—

Step 7.

Top Finish: Finish

*For back-painted glass top (G)*

<b>8Q</b>	folkstone grey	+\$0
<b>91</b>	white	+\$0
<b>BK</b>	black	+\$0
<b>WN</b>	warm grey neutral	+\$0

Top Finish: Finish

*For thin profile HPL top with black edge (M)*

<b>91</b>	white	+\$0
<b>G1</b>	graphite	+\$0
<b>BK</b>	black	+\$0

Top Finish: Solid-Color Laminate

*For high-pressure laminate top with vinyl edge (L)*

<b>8Q</b>	folkstone grey	+\$0
<b>91</b>	white	+\$0
<b>98</b>	studio white	+\$0
<b>BKM</b>	black matte	+\$0
<b>CL</b>	cool grey neutral	+\$0
<b>HF</b>	inner tone light	+\$0
<b>LT</b>	light tone	+\$0
<b>LU</b>	soft white	+\$0
<b>WL</b>	sandstone	+\$0
<b>WN</b>	warm grey neutral	+\$0

Eames® Standing Height Table,  
Round *continued*

Eames® Tables

Top Finish		
<i>For 30" diameter (07) with solid wood top (SW)</i>		
<b>OU</b>	walnut <span style="border: 1px solid black; padding: 0 2px;">A</span>	+\$335
<b>WHN</b>	natural white oak <span style="border: 1px solid black; padding: 0 2px;">A</span>	+\$0

Top Finish		
<i>For 36" diameter (08) with solid wood top (SW)</i>		
<b>OU</b>	walnut <span style="border: 1px solid black; padding: 0 2px;">A</span>	+\$480
<b>WHN</b>	natural white oak <span style="border: 1px solid black; padding: 0 2px;">A</span>	+\$0

Top Finish		
<i>For 42" diameter (22) with solid wood top (SW)</i>		
<b>OU</b>	walnut <span style="border: 1px solid black; padding: 0 2px;">A</span>	+\$580
<b>WHN</b>	natural white oak <span style="border: 1px solid black; padding: 0 2px;">A</span>	+\$0

Top Finish: Wood Veneer		
<i>For 30" diameter (07) with veneer top with vinyl edge (C)</i>		
<b>2U</b>	light brown walnut	+\$105
<b>40</b>	dark brown walnut	+\$105
<b>9N</b>	santos palisander	+\$380
<b>A2</b>	white ash	+\$105
<b>CHD</b>	noble cherry	+\$105
<b>EN</b>	ebony	+\$105
<b>OU</b>	walnut	+\$105
<b>UL</b>	natural maple	+\$105
<b>WHN</b>	natural white oak	+\$105

Top Finish: Wood Veneer		
<i>For 36" diameter (08) with veneer top with vinyl edge (C)</i>		
<b>2U</b>	light brown walnut	+\$105
<b>40</b>	dark brown walnut	+\$105
<b>9N</b>	santos palisander	+\$380
<b>A2</b>	white ash	+\$105
<b>CHD</b>	noble cherry	+\$105
<b>EN</b>	ebony	+\$105
<b>OU</b>	walnut	+\$105
<b>UL</b>	natural maple	+\$105
<b>WHN</b>	natural white oak	+\$105

Top Finish: Wood Veneer		
<i>For 42" diameter (22) with veneer top with vinyl edge (C)</i>		
<b>2U</b>	light brown walnut	+\$130
<b>40</b>	dark brown walnut	+\$130
<b>9N</b>	santos palisander	+\$720
<b>A2</b>	white ash	+\$130
<b>CHD</b>	noble cherry	+\$130
<b>EN</b>	ebony	+\$130
<b>OU</b>	walnut	+\$130
<b>UL</b>	natural maple	+\$130
<b>WHN</b>	natural white oak	+\$130

Top Finish: Wood Veneer		
<i>For 48" diameter (23) with veneer top with vinyl edge (C)</i>		
<b>2U</b>	light brown walnut	+\$175
<b>40</b>	dark brown walnut	+\$175
<b>9N</b>	santos palisander	+\$839
<b>A2</b>	white ash	+\$175
<b>CHD</b>	noble cherry	+\$175
<b>EN</b>	ebony	+\$175
<b>OU</b>	walnut	+\$175
<b>UL</b>	natural maple	+\$175
<b>WHN</b>	natural white oak	+\$175

Top Finish: Wood Veneer		
<i>For 54" diameter (24) with veneer top with vinyl edge (C)</i>		
<b>2U</b>	light brown walnut	+\$230
<b>40</b>	dark brown walnut	+\$230
<b>9N</b>	santos palisander	+\$976
<b>A2</b>	white ash	+\$230
<b>CHD</b>	noble cherry	+\$230
<b>EN</b>	ebony	+\$230
<b>OU</b>	walnut	+\$230
<b>UL</b>	natural maple	+\$230
<b>WHN</b>	natural white oak	+\$230

Top Finish: Wood Veneer		
<i>For 60" diameter (25) with veneer top with vinyl edge (C)</i>		
<b>2U</b>	light brown walnut	+\$365
<b>40</b>	dark brown walnut	+\$365
<b>9N</b>	santos palisander	+\$2044
<b>A2</b>	white ash	+\$365
<b>CHD</b>	noble cherry	+\$365
<b>EN</b>	ebony	+\$365
<b>OU</b>	walnut	+\$365
<b>UL</b>	natural maple	+\$365
<b>WHN</b>	natural white oak	+\$365

Eames® Standing Height Table,  
Round *continued*

Top Finish: Wood Veneer		
<i>For 66" diameter (26) with veneer top with vinyl edge (C)</i>		
<b>2U</b>	light brown walnut	+\$365
<b>40</b>	dark brown walnut	+\$365
<b>9N</b>	santos palisander	+\$2044
<b>A2</b>	white ash	+\$365
<b>CHD</b>	noble cherry	+\$365
<b>EN</b>	ebony	+\$365
<b>OU</b>	walnut	+\$365
<b>UL</b>	natural maple	+\$365
<b>WHN</b>	natural white oak	+\$365

Top/Edge Finish		
<i>For 30" diameter (07) with veneer top with veneer edge (W)</i>		
<b>2U</b>	light brown walnut	+\$105
<b>40</b>	dark brown walnut	+\$105
<b>9N</b>	santos palisander	+\$380
<b>A2</b>	white ash	+\$105
<b>CHD</b>	noble cherry	+\$105
<b>EN</b>	ebony	+\$105
<b>OU</b>	walnut	+\$105
<b>UL</b>	natural maple	+\$105
<b>WHN</b>	natural white oak	+\$105

Top Finish: Wood Veneer		
<i>For 72" diameter (27) with veneer top with vinyl edge (C)</i>		
<b>2U</b>	light brown walnut	+\$365
<b>40</b>	dark brown walnut	+\$365
<b>9N</b>	santos palisander	+\$2044
<b>A2</b>	white ash	+\$365
<b>CHD</b>	noble cherry	+\$365
<b>EN</b>	ebony	+\$365
<b>OU</b>	walnut	+\$365
<b>UL</b>	natural maple	+\$365
<b>WHN</b>	natural white oak	+\$365

Top/Edge Finish		
<i>For 36" diameter (08) with veneer top with veneer edge (W)</i>		
<b>2U</b>	light brown walnut	+\$105
<b>40</b>	dark brown walnut	+\$105
<b>9N</b>	santos palisander	+\$380
<b>A2</b>	white ash	+\$105
<b>CHD</b>	noble cherry	+\$105
<b>EN</b>	ebony	+\$105
<b>OU</b>	walnut	+\$105
<b>UL</b>	natural maple	+\$105
<b>WHN</b>	natural white oak	+\$105

Top Finish: Wood Veneer		
<i>For 84" diameter (29) with veneer top with vinyl edge (C)</i>		
<b>2U</b>	light brown walnut	+\$425
<b>40</b>	dark brown walnut	+\$425
<b>9N</b>	santos palisander	+\$2380
<b>A2</b>	white ash	+\$425
<b>CHD</b>	noble cherry	+\$425
<b>EN</b>	ebony	+\$425
<b>OU</b>	walnut	+\$425
<b>UL</b>	natural maple	+\$425
<b>WHN</b>	natural white oak	+\$425

Top/Edge Finish		
<i>For 42" diameter (22) with veneer top with veneer edge (W)</i>		
<b>2U</b>	light brown walnut	+\$130
<b>40</b>	dark brown walnut	+\$130
<b>9N</b>	santos palisander	+\$720
<b>A2</b>	white ash	+\$130
<b>CHD</b>	noble cherry	+\$130
<b>EN</b>	ebony	+\$130
<b>OU</b>	walnut	+\$130
<b>UL</b>	natural maple	+\$130
<b>WHN</b>	natural white oak	+\$130

Top Finish: Wood Veneer		
<i>For 96" diameter (31) with veneer top with vinyl edge (C)</i>		
<b>2U</b>	light brown walnut	+\$495
<b>40</b>	dark brown walnut	+\$495
<b>9N</b>	santos palisander	+\$2782
<b>A2</b>	white ash	+\$495
<b>CHD</b>	noble cherry	+\$495
<b>EN</b>	ebony	+\$495
<b>OU</b>	walnut	+\$495
<b>UL</b>	natural maple	+\$495
<b>WHN</b>	natural white oak	+\$495

Top/Edge Finish		
<i>For 48" diameter (23) with veneer top with veneer edge (W)</i>		
<b>2U</b>	light brown walnut	+\$175
<b>40</b>	dark brown walnut	+\$175
<b>9N</b>	santos palisander	+\$839
<b>A2</b>	white ash	+\$175
<b>CHD</b>	noble cherry	+\$175
<b>EN</b>	ebony	+\$175
<b>OU</b>	walnut	+\$175
<b>UL</b>	natural maple	+\$175
<b>WHN</b>	natural white oak	+\$175

Eames® Standing Height Table,  
Round *continued*

Eames® Tables

Top/Edge Finish		
<i>For 54" diameter (24) with veneer top with veneer edge (W)</i>		
<b>2U</b>	light brown walnut	+\$230
<b>40</b>	dark brown walnut	+\$230
<b>9N</b>	santos palisander	+\$976
<b>A2</b>	white ash	+\$230
<b>CHD</b>	noble cherry	+\$230
<b>EN</b>	ebony	+\$230
<b>OU</b>	walnut	+\$230
<b>UL</b>	natural maple	+\$230
<b>WHN</b>	natural white oak	+\$230

Top/Edge Finish		
<i>For 60" diameter (25) with veneer top with veneer edge (W)</i>		
<b>2U</b>	light brown walnut	+\$365
<b>40</b>	dark brown walnut	+\$365
<b>9N</b>	santos palisander	+\$2044
<b>A2</b>	white ash	+\$365
<b>CHD</b>	noble cherry	+\$365
<b>EN</b>	ebony	+\$365
<b>OU</b>	walnut	+\$365
<b>UL</b>	natural maple	+\$365
<b>WHN</b>	natural white oak	+\$365

Top/Edge Finish		
<i>For 66" diameter (26) with veneer top with veneer edge (W)</i>		
<b>2U</b>	light brown walnut	+\$365
<b>40</b>	dark brown walnut	+\$365
<b>9N</b>	santos palisander	+\$2044
<b>A2</b>	white ash	+\$365
<b>CHD</b>	noble cherry	+\$365
<b>EN</b>	ebony	+\$365
<b>OU</b>	walnut	+\$365
<b>UL</b>	natural maple	+\$365
<b>WHN</b>	natural white oak	+\$365

Top/Edge Finish		
<i>For 72" diameter (27) with veneer top with veneer edge (W)</i>		
<b>2U</b>	light brown walnut	+\$365
<b>40</b>	dark brown walnut	+\$365
<b>9N</b>	santos palisander	+\$2044
<b>A2</b>	white ash	+\$365
<b>CHD</b>	noble cherry	+\$365
<b>EN</b>	ebony	+\$365
<b>OU</b>	walnut	+\$365
<b>UL</b>	natural maple	+\$365
<b>WHN</b>	natural white oak	+\$365

Top/Edge Finish		
<i>For 84" diameter (29) with veneer top with veneer edge (W)</i>		
<b>2U</b>	light brown walnut	+\$425
<b>40</b>	dark brown walnut	+\$425
<b>9N</b>	santos palisander	+\$2380
<b>A2</b>	white ash	+\$425
<b>CHD</b>	noble cherry	+\$425
<b>EN</b>	ebony	+\$425
<b>OU</b>	walnut	+\$425
<b>UL</b>	natural maple	+\$425
<b>WHN</b>	natural white oak	+\$425

Top/Edge Finish		
<i>For 96" diameter (31) with veneer top with veneer edge (W)</i>		
<b>2U</b>	light brown walnut	+\$495
<b>40</b>	dark brown walnut	+\$495
<b>9N</b>	santos palisander	+\$2782
<b>A2</b>	white ash	+\$495
<b>CHD</b>	noble cherry	+\$495
<b>EN</b>	ebony	+\$495
<b>OU</b>	walnut	+\$495
<b>UL</b>	natural maple	+\$495
<b>WHN</b>	natural white oak	+\$495

Step 8. Edge Finish		
<i>For high-pressure laminate top with vinyl edge (L) or veneer top with vinyl edge (C)</i>		
<b>8Q</b>	folkstone grey	+\$0
<b>91</b>	white	+\$0
<b>98</b>	studio white	+\$0
<b>BK</b>	black	+\$0
<b>BU</b>	black umber	+\$0
<b>CL</b>	cool grey neutral	+\$0
<b>HF</b>	inner tone light	+\$0
<b>LT</b>	light tone	+\$0
<b>LU</b>	soft white	+\$0
<b>SG</b>	slate grey	+\$0
<b>WL</b>	sandstone	+\$0
<b>WN</b>	warm grey neutral	+\$0

Step 9. Grommet Finish		
<i>For 30" diameter (07) or 36" diameter (08) with high-pressure laminate top with vinyl edge (L), veneer top with vinyl edge (C), or veneer top with veneer edge (W), or thin profile HPL top with black edge (M), or back-painted glass top (G) with single center cutout (CC)</i>		
<b>PA</b>	polished aluminum	+\$0

Eames® Standing Height Table,  
Round *continued*

For 30" diameter (07) or 36" diameter (08) with solid wood top (SW)  
with single center cutout (CC)

<b>NF</b>	no finish <input type="checkbox"/> A	+\$0
-----------	--------------------------------------	------

For 42" diameter (22), 48" diameter (23), 54" diameter (24), 60"  
diameter (25), 66" diameter (26), 72" diameter (27), 84" diameter  
(29), or 96" diameter (31) with high-pressure laminate top with vinyl  
edge (L), or veneer top with vinyl edge (C), or veneer top with veneer  
edge (W), or thin profile HPL top with black edge (M), or back-painted  
glass top (G) with four cutouts (C4), or single center cutout (CC)

<b>91</b>	white	+\$0
<b>BK</b>	black	+\$0
<b>PA</b>	polished aluminum	+\$0

For 42" diameter (22) with solid wood top (SW) with single center  
cutout (CC)

<b>91</b>	white <input type="checkbox"/> A	+\$0
<b>BK</b>	black <input type="checkbox"/> A	+\$0
<b>PA</b>	polished aluminum <input type="checkbox"/> A	+\$0

Step 10. Column Finish

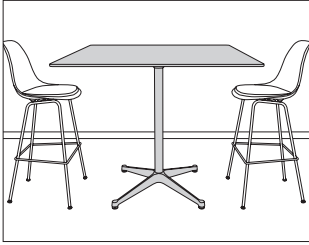
<b>91</b>	white	+\$0
<b>BK</b>	black	+\$0
<b>BU</b>	black umber	+\$0
<b>CL</b>	cool grey neutral	+\$0
<b>CN</b>	metallic champagne	+\$0
<b>EH</b>	metallic bronze	+\$0
<b>G2</b>	graphite satin	+\$0
<b>HF</b>	inner tone light	+\$0
<b>LT</b>	light tone	+\$0
<b>LU</b>	soft white	+\$0
<b>MS</b>	metallic silver	+\$0
<b>MT</b>	medium tone	+\$0
<b>SG</b>	slate grey	+\$0
<b>WN</b>	warm grey neutral	+\$0

Step 11. Base Finish

<b>BU</b>	black umber	+\$0
<b>91</b>	white	+\$0
<b>BK</b>	black	+\$0
<b>CL</b>	cool grey neutral	+\$0
<b>CN</b>	metallic champagne	+\$0
<b>EH</b>	metallic bronze	+\$0
<b>G2</b>	graphite satin	+\$0
<b>HF</b>	inner tone light	+\$0
<b>LT</b>	light tone	+\$0
<b>LU</b>	soft white	+\$0
<b>MS</b>	metallic silver	+\$0
<b>MT</b>	medium tone	+\$0
<b>PA</b>	polished aluminum	+\$0
<b>SG</b>	slate grey	+\$0
<b>WN</b>	warm grey neutral	+\$0

Eames® Standing Height Table,  
Square

ET404  
ET405  
ET406  
ET448  
ET504  
ET505  
ET506  
ET548



Eames® Tables

**Product Information**

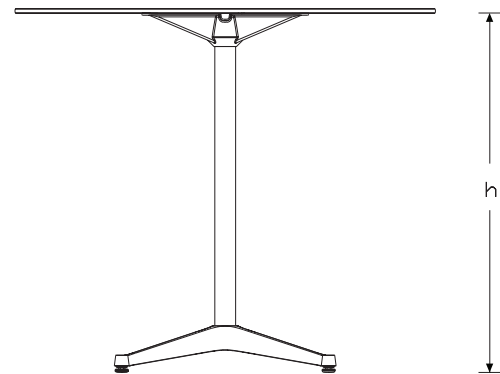
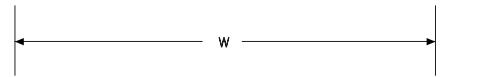
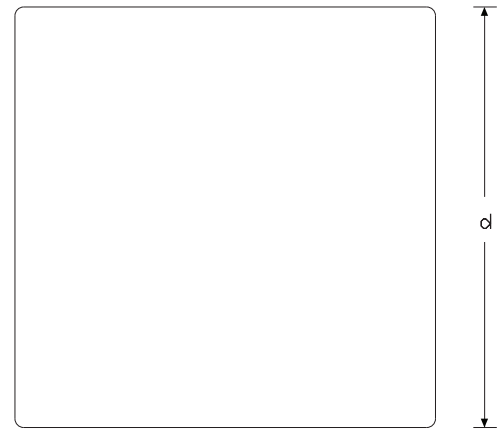
**Description**

This table has a laminate or veneer top with vinyl edge, a veneer top and edge, a thin-profile HPL top with black edge, a back-painted glass top with modified bullnose edge, or a solid wood top. Table may be specified with cutouts to accommodate simple power options (specified separately). Each table has adjustable glides. Shipped knocked down.

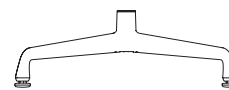
**Notes**

Tables have a 1-piece top and single column base.  
 Laminate and veneer tops are 7/8" thick.  
 Thin profile HPL tops are 1/2" thick.  
 Glass tops are back-painted, with a satin etch finish to reduce the appearance of fingerprints. Tops are 1/2" thick.  
 30" and 36" tables may only accommodate USB access. Single center cutout (CC) grommet option must be specified. Grommet option is a non-functional hole plug. For USB access, order round dual USB charging unit (ET990.) separately.  
 42" and 48" tables may accommodate power. Single center cutout (CC) grommet option must be specified. Grommet provides simple pass-through with wire management features and a hinged lid. For power access, order round power module (ET991.) separately.  
 Santos palisander veneer is celebrated for its unique grain and color variations. Similar products ordered in multiples or dissimilar products ordered separately should be expected to have variation in both grain and color characteristics; no two products will look exactly alike.

**Dimensions**



Contract Base



Universal Base



# Eames® Standing Height Table, Square *continued*

## Specification Information

### Step 1.

ET  A

### Step 2. Height

4 36" high

5 42" high

### Step 3. Depth/Width

04 30" deep x 30" wide

05 36" deep x 36" wide

06 42" deep x 42" wide

48 48" deep x 48" wide

### Step 4. Base

*For 30" deep x 30" wide (04) or 36" deep x 36" wide (05)*

C contract base

U universal base

*For 42" deep x 42" wide (06) or 48" deep x 48" wide (48)*

C contract base

### Step 5. Surface Material

*For 30" deep x 30" wide (04), 36" deep x 36" wide (05), or 42" deep x 42" wide (06)*

L high-pressure laminate top with vinyl edge

C veneer top with vinyl edge  A

W veneer top with veneer edge  A

M thin profile HPL top with black edge  A

G back-painted glass top  A

SW solid wood top  A

*For 48" deep x 48" wide (48)*

L high-pressure laminate top with vinyl edge  A

C veneer top with vinyl edge  A

W veneer top with veneer edge  A

M thin profile HPL top with black edge  A

G back-painted glass top  A

### Step 6. Grommets

NG no grommet

CC single center cutout

## Prices for Steps 1-6.

		NG	CC
ET404	C L	\$1391	1457
	C	\$1608	1671
	W	\$1794	1862
	M	\$2417	2530
	G	\$5118	5724
	SW	\$4371	5029
	U L	\$1391	1457
	C	\$1608	1671
	W	\$1794	1862
	M	\$2417	2530
	G	\$5118	5724
	SW	\$4371	5029

		NG	CC
ET405	C L	\$1592	1658
	C	\$1826	1888
	W	\$2082	2149
	M	\$3108	3225
	G	\$6587	7181
	SW	\$6024	6682
	U L	\$1592	1658
	C	\$1826	1888
	W	\$2082	2149
	M	\$3108	3225
	G	\$6587	7181
	SW	\$6024	6682

		NG	CC
ET406	C L	\$1983	2315
	C	\$2255	2590
	W	\$2517	2847
	M	\$4826	5159
	G	\$8495	9274
	SW	\$7091	7750

		NG	CC
ET448	C L	\$2170	2502
	C	\$2459	2791
	W	\$2704	3037
	M	\$4942	5276
	G	\$10474	11268

Eames® Standing Height Table,  
Square *continued*

Eames® Tables

			NG	CC	
ET504	C	L	\$1391	1457	
		C	\$1608	1671	
		W	\$1794	1862	
		M	\$2417	2530	
		G	\$5118	5724	
		SW	\$4371	5029	
	U	L	\$1391	1457	
		C	\$1608	1671	
		W	\$1794	1862	
		M	\$2417	2530	
		G	\$5118	5724	
		SW	\$4371	5029	
				NG	CC
	ET505	C	L	\$1592	1658
C			\$1826	1888	
W			\$2082	2149	
M			\$3108	3225	
G			\$6587	7181	
SW			\$6024	6682	
U		L	\$1592	1658	
		C	\$1826	1888	
		W	\$2082	2149	
		M	\$3108	3225	
		G	\$6587	7181	
		SW	\$6024	6682	
			NG	CC	
ET506		C	L	\$1983	2315
	C		\$2255	2590	
	W		\$2517	2847	
	M		\$4826	5159	
	G		\$8495	9274	
	SW		\$7091	7750	
			NG	CC	
ET548	C	L	\$2170	2502	
		C	\$2459	2791	
		W	\$2704	3037	
		M	\$4942	5276	
		G	\$10474	11268	

Step 7.

Top Finish: Finish

*For back-painted glass top (G)*

<b>8Q</b>	folkstone grey <input type="checkbox"/>	+\$0
<b>91</b>	white <input type="checkbox"/>	+\$0
<b>BK</b>	black <input type="checkbox"/>	+\$0
<b>WN</b>	warm grey neutral <input type="checkbox"/>	+\$0

Top Finish: Finish

*For thin profile HPL top with black edge (M)*

<b>91</b>	white <input type="checkbox"/>	+\$0
<b>G1</b>	graphite <input type="checkbox"/>	+\$0
<b>BK</b>	black <input type="checkbox"/>	+\$0

Top Finish: Solid-Color Laminate

*For high-pressure laminate top with vinyl edge (L)*

<b>8Q</b>	folkstone grey	+\$0
<b>91</b>	white	+\$0
<b>98</b>	studio white	+\$0
<b>BKM</b>	black matte <input type="checkbox"/>	+\$0
<b>CL</b>	cool grey neutral	+\$0
<b>HF</b>	inner tone light	+\$0
<b>LT</b>	light tone	+\$0
<b>LU</b>	soft white	+\$0
<b>WL</b>	sandstone	+\$0
<b>WN</b>	warm grey neutral	+\$0

Top Finish

*For 30" deep x 30" wide (04) with solid wood top (SW)*

<b>OU</b>	walnut <input type="checkbox"/>	+\$335
<b>WHN</b>	natural white oak <input type="checkbox"/>	+\$0

Top Finish

*For 36" deep x 36" wide (05) with solid wood top (SW)*

<b>OU</b>	walnut <input type="checkbox"/>	+\$480
<b>WHN</b>	natural white oak <input type="checkbox"/>	+\$0

Top Finish

*For 42" deep x 42" wide (06) with solid wood top (SW)*

<b>OU</b>	walnut <input type="checkbox"/>	+\$580
<b>WHN</b>	natural white oak <input type="checkbox"/>	+\$0

# Eames® Standing Height Table, Square *continued*

Top Finish: Wood Veneer		
<i>For 30" deep x 30" wide (04) or 36" deep x 36" wide (05) with veneer top with vinyl edge (C)</i>		
<b>2U</b>	light brown walnut <input type="checkbox"/>	+\$105
<b>40</b>	dark brown walnut <input type="checkbox"/>	+\$105
<b>9N</b>	santos palisander <input type="checkbox"/>	+\$380
<b>A2</b>	white ash <input type="checkbox"/>	+\$105
<b>CHD</b>	noble cherry <input type="checkbox"/>	+\$105
<b>EN</b>	ebony <input type="checkbox"/>	+\$105
<b>OU</b>	walnut <input type="checkbox"/>	+\$105
<b>UL</b>	natural maple <input type="checkbox"/>	+\$105
<b>WHN</b>	natural white oak <input type="checkbox"/>	+\$0

Top/Edge Finish		
<i>For 30" deep x 30" wide (04) or 36" deep x 36" wide (05) with veneer top with veneer edge (W)</i>		
<b>2U</b>	light brown walnut <input type="checkbox"/>	+\$105
<b>40</b>	dark brown walnut <input type="checkbox"/>	+\$105
<b>9N</b>	santos palisander <input type="checkbox"/>	+\$380
<b>A2</b>	white ash <input type="checkbox"/>	+\$105
<b>CHD</b>	noble cherry <input type="checkbox"/>	+\$105
<b>EN</b>	ebony <input type="checkbox"/>	+\$105
<b>OU</b>	walnut <input type="checkbox"/>	+\$105
<b>UL</b>	natural maple <input type="checkbox"/>	+\$105
<b>WHN</b>	natural white oak <input type="checkbox"/>	+\$0

Top Finish: Wood Veneer		
<i>For 42" deep x 42" wide (06) with veneer top with vinyl edge (C)</i>		
<b>2U</b>	light brown walnut <input type="checkbox"/>	+\$130
<b>40</b>	dark brown walnut <input type="checkbox"/>	+\$130
<b>9N</b>	santos palisander <input type="checkbox"/>	+\$720
<b>A2</b>	white ash <input type="checkbox"/>	+\$130
<b>CHD</b>	noble cherry <input type="checkbox"/>	+\$130
<b>EN</b>	ebony <input type="checkbox"/>	+\$130
<b>OU</b>	walnut <input type="checkbox"/>	+\$130
<b>UL</b>	natural maple <input type="checkbox"/>	+\$130
<b>WHN</b>	natural white oak <input type="checkbox"/>	+\$0

Top/Edge Finish		
<i>For 42" deep x 42" wide (06) with veneer top with veneer edge (W)</i>		
<b>2U</b>	light brown walnut <input type="checkbox"/>	+\$130
<b>40</b>	dark brown walnut <input type="checkbox"/>	+\$130
<b>9N</b>	santos palisander <input type="checkbox"/>	+\$720
<b>A2</b>	white ash <input type="checkbox"/>	+\$130
<b>CHD</b>	noble cherry <input type="checkbox"/>	+\$130
<b>EN</b>	ebony <input type="checkbox"/>	+\$130
<b>OU</b>	walnut <input type="checkbox"/>	+\$130
<b>UL</b>	natural maple <input type="checkbox"/>	+\$130
<b>WHN</b>	natural white oak <input type="checkbox"/>	+\$0

Top Finish: Wood Veneer		
<i>For 48" deep x 48" wide (48) with veneer top with vinyl edge (C)</i>		
<b>2U</b>	light brown walnut <input type="checkbox"/>	+\$175
<b>40</b>	dark brown walnut <input type="checkbox"/>	+\$175
<b>9N</b>	santos palisander <input type="checkbox"/>	+\$839
<b>A2</b>	white ash <input type="checkbox"/>	+\$175
<b>CHD</b>	noble cherry <input type="checkbox"/>	+\$175
<b>EN</b>	ebony <input type="checkbox"/>	+\$175
<b>OU</b>	walnut <input type="checkbox"/>	+\$175
<b>UL</b>	natural maple <input type="checkbox"/>	+\$175
<b>WHN</b>	natural white oak <input type="checkbox"/>	+\$0

Top/Edge Finish		
<i>For 48" deep x 48" wide (48) with veneer top with veneer edge (W)</i>		
<b>2U</b>	light brown walnut <input type="checkbox"/>	+\$175
<b>40</b>	dark brown walnut <input type="checkbox"/>	+\$175
<b>9N</b>	santos palisander <input type="checkbox"/>	+\$839
<b>A2</b>	white ash <input type="checkbox"/>	+\$175
<b>CHD</b>	noble cherry <input type="checkbox"/>	+\$175
<b>EN</b>	ebony <input type="checkbox"/>	+\$175
<b>OU</b>	walnut <input type="checkbox"/>	+\$175
<b>UL</b>	natural maple <input type="checkbox"/>	+\$175
<b>WHN</b>	natural white oak <input type="checkbox"/>	+\$0

# Eames® Standing Height Table, Square *continued*

Eames® Tables

## Step 8. Edge Finish

*For high-pressure laminate top with vinyl edge (L) or veneer top with vinyl edge (C)*

<b>8Q</b>	folkstone grey	+\$0
<b>91</b>	white	+\$0
<b>98</b>	studio white	+\$0
<b>BK</b>	black	+\$0
<b>BU</b>	black umber	+\$0
<b>CL</b>	cool grey neutral	+\$0
<b>HF</b>	inner tone light	+\$0
<b>LT</b>	light tone	+\$0
<b>LU</b>	soft white	+\$0
<b>SG</b>	slate grey	+\$0
<b>WL</b>	sandstone	+\$0
<b>WN</b>	warm grey neutral	+\$0

## Step 9. Grommet Finish

*For 30" deep x 30" wide (04) or 36" deep x 36" wide (05) with high-pressure laminate top with vinyl edge (L), veneer top with vinyl edge (C), or veneer top with veneer edge (W), or thin profile HPL top with black edge (M), or back-painted glass top (G) with single center cutout (CC)*

<b>PA</b>	polished aluminum	+\$0
-----------	-------------------	------

*For 30" deep x 30" wide (04) or 36" deep x 36" wide (05) with solid wood top (SW) with single center cutout (CC)*

<b>NF</b>	no finish <span style="border: 1px solid black; padding: 0 2px;">A</span>	+\$0
-----------	---	------

*For 42" deep x 42" wide (06) or 48" deep x 48" wide (48) with high-pressure laminate top with vinyl edge (L), veneer top with vinyl edge (C), or veneer top with veneer edge (W), or thin profile HPL top with black edge (M), or back-painted glass top (G) with single center cutout (CC)*

<b>91</b>	white	+\$0
<b>BK</b>	black	+\$0
<b>PA</b>	polished aluminum	+\$0

*For 42" deep x 42" wide (06) with solid wood top (SW) with single center cutout (CC)*

<b>91</b>	white <span style="border: 1px solid black; padding: 0 2px;">A</span>	+\$0
<b>BK</b>	black <span style="border: 1px solid black; padding: 0 2px;">A</span>	+\$0
<b>PA</b>	polished aluminum <span style="border: 1px solid black; padding: 0 2px;">A</span>	+\$0

## Step 10. Column Finish

<b>BU</b>	black umber <span style="border: 1px solid black; padding: 0 2px;">A</span>	+\$0
<b>91</b>	white	+\$0
<b>BK</b>	black	+\$0
<b>CL</b>	cool grey neutral	+\$0
<b>CN</b>	metallic champagne	+\$0
<b>EH</b>	metallic bronze	+\$0
<b>G2</b>	graphite satin	+\$0
<b>HF</b>	inner tone light	+\$0
<b>LT</b>	light tone	+\$0
<b>LU</b>	soft white	+\$0
<b>MS</b>	metallic silver	+\$0
<b>MT</b>	medium tone	+\$0
<b>SG</b>	slate grey	+\$0
<b>WN</b>	warm grey neutral	+\$0

## Step 11. Base Finish

<b>91</b>	white	+\$0
<b>BK</b>	black	+\$0
<b>BU</b>	black umber	+\$0
<b>CL</b>	cool grey neutral	+\$0
<b>CN</b>	metallic champagne	+\$0
<b>EH</b>	metallic bronze	+\$0
<b>G2</b>	graphite satin	+\$0
<b>HF</b>	inner tone light	+\$0
<b>LT</b>	light tone	+\$0
<b>LU</b>	soft white	+\$0
<b>MS</b>	metallic silver	+\$0
<b>MT</b>	medium tone	+\$0
<b>PA</b>	polished aluminum	+\$0
<b>SG</b>	slate grey	+\$0
<b>WN</b>	warm grey neutral	+\$0

# Eames® Standing Height Table, Rectangular



## Product Information

### Description

This segmented base table has a laminate or veneer top with vinyl edge, a veneer top and edge, a thin-profile HPL top with black edge, a back-painted glass top with modified bullnose edge, or a solid wood top. Table may be specified with cutouts to accommodate simple power options (specified separately). Each table has adjustable glides. Shipped knocked down.

### Notes

60"-wide to 96"-wide tables have a 1-piece top and 2-column segmented base. 60"-deep tables have a dual run of columns.

For veneer tables, 108"-wide to 192"-wide tops are shipped in 2 equal pieces; 216"-wide and 264"-wide tops are shipped in 3 equal pieces.

For laminate tables, 108"-wide tables have a 1-piece top; 120"-wide to 216"-wide tops are shipped in 2 equal pieces; 240"-wide and 264"-wide tops are shipped in 3 equal pieces.

Laminate and veneer tops are 1 1/4" thick.

Thin profile HPL tops are 1/2" thick.

Glass tops are back-painted, with a satin etch finish to reduce the appearance of fingerprints. Tops up to 42"x78" are 1/2" thick; tops 42"x84" to 60"x120" are 3/8" thick with a Formcoat® substructure.

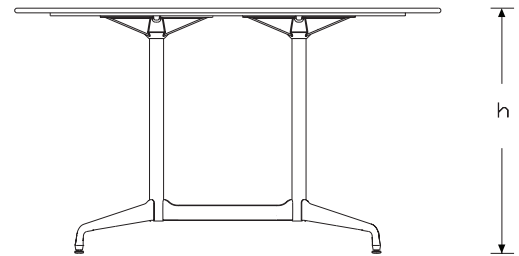
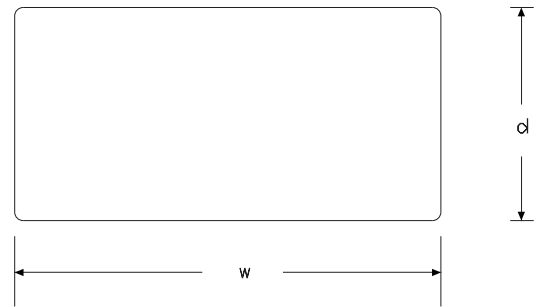
Tables may be specified with cutouts for power in various configurations. Round cutouts align with columns, and oval cutouts are centered between columns.

Order the following compatible power components separately:

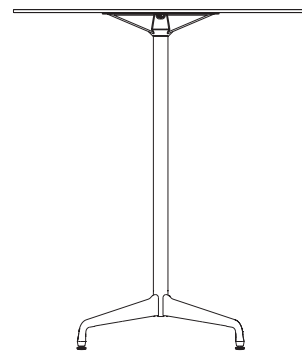
- Round power module (ET991.)
- Oval power module (ET992.)
- Pair of oval power modules (ET993.)
- Oval power module & undermount power (ET994.)
- Pair of oval power modules & undermount power (ET995.)

Santos palisander veneer is celebrated for its unique grain and color variations. Similar products ordered in multiples or dissimilar products ordered separately should be expected to have variation in both grain and color characteristics; no two products will look exactly alike.

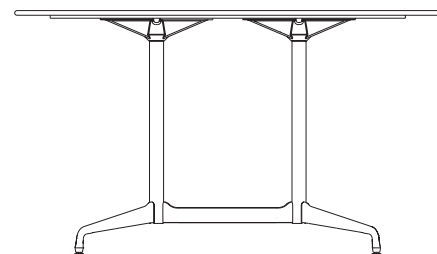
## Dimensions



Segmented Base, Width View



30"-54", Depth View



60", Depth View

# Eames® Standing Height Table, Rectangular *continued*

Specification Information	
Step 1.	
<b>ET</b>	
Step 2. Height	
<b>4</b>	36" high
<b>5</b>	42" high
Step 3. Depth/Width	
<b>87R</b>	30" deep x 60" wide
<b>88R</b>	30" deep x 72" wide
<b>42R</b>	36" deep x 60" wide
<b>43R</b>	36" deep x 72" wide
<b>44R</b>	36" deep x 84" wide
<b>89R</b>	36" deep x 96" wide
<b>50R</b>	42" deep x 66" wide
<b>51R</b>	42" deep x 72" wide
<b>52R</b>	42" deep x 78" wide
<b>45R</b>	42" deep x 84" wide
<b>54R</b>	48" deep x 84" wide
<b>47R</b>	48" deep x 96" wide
<b>55R</b>	54" deep x 90" wide
<b>56R</b>	54" deep x 96" wide
<b>57R</b>	54" deep x 108" wide
<b>58R</b>	54" deep x 120" wide
<b>60R</b>	54" deep x 144" wide
<b>61R</b>	54" deep x 156" wide
<b>62R</b>	54" deep x 168" wide
<b>64R</b>	54" deep x 192" wide
<b>66R</b>	54" deep x 216" wide
<b>68R</b>	54" deep x 240" wide
<b>70R</b>	54" deep x 264" wide
<b>71R</b>	60" deep x 120" wide
<b>72R</b>	60" deep x 144" wide
<b>73R</b>	60" deep x 156" wide
<b>74R</b>	60" deep x 168" wide
<b>75R</b>	60" deep x 192" wide
<b>76R</b>	60" deep x 216" wide
<b>77R</b>	60" deep x 240" wide
<b>78R</b>	60" deep x 264" wide
Step 4. Base	
<b>S</b>	segmented base

Step 5. Surface Material	
<i>For 30" deep x 60" wide (87R), 30" deep x 72" wide (88R), 36" deep x 60" wide (42R), or 36" deep x 72" wide (43R)</i>	
<b>L</b>	high-pressure laminate top with vinyl edge
<b>C</b>	veneer top with vinyl edge
<b>W</b>	veneer top with veneer edge
<b>M</b>	thin profile HPL top with black edge
<b>G</b>	back-painted glass top
<b>SW</b>	solid wood top <span style="border: 1px solid black; padding: 0 2px;">A</span>
<i>For 36" deep x 84" wide (44R), 36" deep x 96" wide (89R), 42" deep x 66" wide (50R), 42" deep x 72" wide (51R), 42" deep x 78" wide (52R), 42" deep x 84" wide (45R), 48" deep x 84" wide (54R), or 48" deep x 96" wide (47R)</i>	
<b>L</b>	high-pressure laminate top with vinyl edge <span style="border: 1px solid black; padding: 0 2px;">A</span>
<b>C</b>	veneer top with vinyl edge <span style="border: 1px solid black; padding: 0 2px;">A</span>
<b>W</b>	veneer top with veneer edge <span style="border: 1px solid black; padding: 0 2px;">A</span>
<b>M</b>	thin profile HPL top with black edge <span style="border: 1px solid black; padding: 0 2px;">A</span>
<b>G</b>	back-painted glass top <span style="border: 1px solid black; padding: 0 2px;">A</span>
<i>For 54" deep x 90" wide (55R), 54" deep x 96" wide (56R), 54" deep x 108" wide (57R), 54" deep x 120" wide (58R), or 60" deep x 120" wide (71R)</i>	
<b>L</b>	high-pressure laminate top with vinyl edge
<b>C</b>	veneer top with vinyl edge
<b>W</b>	veneer top with veneer edge
<b>G</b>	back-painted glass top
<i>For 54" deep x 144" wide (60R), 54" deep x 156" wide (61R), 54" deep x 168" wide (62R), 54" deep x 192" wide (64R), 54" deep x 216" wide (66R), 54" deep x 240" wide (68R), 54" deep x 264" wide (70R), 60" deep x 144" wide (72R), 60" deep x 156" wide (73R), 60" deep x 168" wide (74R), 60" deep x 192" wide (75R), 60" deep x 216" wide (76R), 60" deep x 240" wide (77R), or 60" deep x 264" wide (78R)</i>	
<b>L</b>	high-pressure laminate top with vinyl edge
<b>C</b>	veneer top with vinyl edge
<b>W</b>	veneer top with veneer edge

# Eames® Standing Height Table, Rectangular *continued*

## Step 6. Grommets

For 30" deep x 60" wide (87R), 30" deep x 72" wide (88R), 36" deep x 60" wide (42R), 36" deep x 72" wide (43R), 36" deep x 84" wide (44R), 36" deep x 96" wide (89R), 42" deep x 66" wide (50R), 42" deep x 72" wide (51R), 42" deep x 78" wide (52R), 42" deep x 84" wide (45R), 48" deep x 84" wide (54R), 48" deep x 96" wide (47R), 54" deep x 90" wide (55R), 54" deep x 96" wide (56R), or 54" deep x 108" wide (57R)

- NG** no grommet
- C2** 2 round cutouts, over columns
- CR** single centered oval cutout
- CA** 2 round cutouts and center oval cutout

For 54" deep x 120" wide (58R), 54" deep x 144" wide (60R), 54" deep x 156" wide (61R), 54" deep x 168" wide (62R), 60" deep x 120" wide (71R), 60" deep x 144" wide (72R), 60" deep x 156" wide (73R), or 60" deep x 168" wide (74R)

- NG** no grommet
- C2** 2 round cutouts, over columns
- CM** 2 oval cutouts
- CB** 2 round cutouts and 2 oval cutouts

For 54" deep x 192" wide (64R) or 60" deep x 192" wide (75R)

- NG** no grommet
- C2** 2 round cutouts, over columns
- CP** 3 oval cutouts
- CE** 2 round cutouts and 3 oval cutouts

For 54" deep x 216" wide (66R), 54" deep x 240" wide (68R), 54" deep x 264" wide (70R), 60" deep x 216" wide (76R), 60" deep x 240" wide (77R), or 60" deep x 264" wide (78R)

- NG** no grommet
- C3** 3 round cutouts, over columns
- CN** 4 oval cutouts
- CD** 3 round cutouts and 4 oval cutouts

## Prices for Steps 1-6.

		NG	C2	C3	CM	CN	CP
<b>ET487R S</b>	<b>L</b>	\$2692	3357	—	—	—	—
	<b>C</b>	\$3239	3903	—	—	—	—
	<b>W</b>	\$3470	4133	—	—	—	—
	<b>M</b>	\$4885	5548	—	—	—	—
	<b>G</b>	\$9896	11024	—	—	—	—
	<b>SW</b>	\$6722	8041	—	—	—	—

		CR	CA	CB	CD	CE
<b>ET487R S</b>	<b>L</b>	\$3024	3688	—	—	—
	<b>C</b>	\$3570	4234	—	—	—
	<b>W</b>	\$3802	4466	—	—	—
	<b>M</b>	\$5218	5882	—	—	—
	<b>G</b>	\$11081	12221	—	—	—
	<b>SW</b>	\$7381	8109	—	—	—

		NG	C2	C3	CM	CN	CP
<b>ET488R S</b>	<b>L</b>	\$2867	3530	—	—	—	—
	<b>C</b>	\$3498	4162	—	—	—	—
	<b>W</b>	\$3843	4509	—	—	—	—
	<b>M</b>	\$4915	5578	—	—	—	—
	<b>G</b>	\$11121	12265	—	—	—	—
	<b>SW</b>	\$7249	8699	—	—	—	—

		CR	CA	CB	CD	CE
<b>ET488R S</b>	<b>L</b>	\$3198	3864	—	—	—
	<b>C</b>	\$3831	4496	—	—	—
	<b>W</b>	\$4179	4841	—	—	—
	<b>M</b>	\$5245	5912	—	—	—
	<b>G</b>	\$12307	13449	—	—	—
	<b>SW</b>	\$7908	8636	—	—	—

		NG	C2	C3	CM	CN	CP
<b>ET442R S</b>	<b>L</b>	\$3004	3671	—	—	—	—
	<b>C</b>	\$3570	4234	—	—	—	—
	<b>W</b>	\$3853	4516	—	—	—	—
	<b>M</b>	\$5865	6533	—	—	—	—
	<b>G</b>	\$11121	12265	—	—	—	—
	<b>SW</b>	\$8831	10148	—	—	—	—

		CR	CA	CB	CD	CE
<b>ET442R S</b>	<b>L</b>	\$3338	4003	—	—	—
	<b>C</b>	\$3903	4566	—	—	—
	<b>W</b>	\$4183	4848	—	—	—
	<b>M</b>	\$6199	6863	—	—	—
	<b>G</b>	\$12307	13449	—	—	—
	<b>SW</b>	\$8930	9658	—	—	—

		NG	C2	C3	CM	CN	CP
<b>ET443R S</b>	<b>L</b>	\$3074	3738	—	—	—	—
	<b>C</b>	\$3672	4336	—	—	—	—
	<b>W</b>	\$4004	4668	—	—	—	—
	<b>M</b>	\$5895	6559	—	—	—	—
	<b>G</b>	\$12596	13724	—	—	—	—
	<b>SW</b>	\$8831	10148	—	—	—	—

Eames® Standing Height Table,  
 Rectangular *continued*

Eames® Tables

		CR	CA	CB	CD	CE
ET443R S	L	\$3407	4071	—	—	—
	C	\$4004	4668	—	—	—
	W	\$4336	5001	—	—	—
	M	\$6230	6893	—	—	—
	G	\$13780	14922	—	—	—
	SW	\$9490	10217	—	—	—

		NG	C2	C3	CM	CN	CP
ET444R S	L	\$3201	3867	—	—	—	—
	C	\$3931	4596	—	—	—	—
	W	\$4350	5016	—	—	—	—
	M	\$5941	6604	—	—	—	—
	G	\$14055	15196	—	—	—	—

		CR	CA	CB	CD	CE
ET444R S	L	\$3533	4198	—	—	—
	C	\$4265	4927	—	—	—
	W	\$4683	5346	—	—	—
	M	\$6270	6937	—	—	—
	G	\$15255	16382	—	—	—

		NG	C2	C3	CM	CN	CP
ET489R S	L	\$3408	4072	—	—	—	—
	C	\$4162	4826	—	—	—	—
	W	\$4466	5132	—	—	—	—
	M	\$5968	6633	—	—	—	—
	G	\$15630	16770	—	—	—	—

		CR	CA	CB	CD	CE
ET489R S	L	\$3739	4405	—	—	—
	C	\$4496	5159	—	—	—
	W	\$4797	5463	—	—	—
	M	\$6299	6963	—	—	—
	G	\$16829	17954	—	—	—

		NG	C2	C3	CM	CN	CP
ET450R S	L	\$3541	4205	—	—	—	—
	C	\$4063	4727	—	—	—	—
	W	\$4538	5202	—	—	—	—
	M	\$5912	6575	—	—	—	—
	G	\$13173	14316	—	—	—	—

		CR	CA	CB	CD	CE
ET450R S	L	\$3872	4537	—	—	—
	C	\$4393	5057	—	—	—
	W	\$4870	5535	—	—	—
	M	\$6241	6907	—	—	—
	G	\$14374	15500	—	—	—

		NG	C2	C3	CM	CN	CP
ET451R S	L	\$3637	4304	—	—	—	—
	C	\$4113	4780	—	—	—	—
	W	\$4579	5241	—	—	—	—
	M	\$5923	6587	—	—	—	—
	G	\$14055	15196	—	—	—	—

		CR	CA	CB	CD	CE
ET451R S	L	\$3971	4634	—	—	—
	C	\$4446	5109	—	—	—
	W	\$4909	5574	—	—	—
	M	\$6258	6921	—	—	—
	G	\$15255	16382	—	—	—

		NG	C2	C3	CM	CN	CP
ET452R S	L	\$3710	4375	—	—	—	—
	C	\$4291	4955	—	—	—	—
	W	\$4725	5389	—	—	—	—
	M	\$9361	10027	—	—	—	—
	G	\$14951	16078	—	—	—	—

		CR	CA	CB	CD	CE
ET452R S	L	\$4041	4705	—	—	—
	C	\$4624	5286	—	—	—
	W	\$5056	5720	—	—	—
	M	\$9694	10358	—	—	—
	G	\$16136	17275	—	—	—

		NG	C2	C3	CM	CN	CP
ET445R S	L	\$3751	4414	—	—	—	—
	C	\$4333	4999	—	—	—	—
	W	\$4776	5441	—	—	—	—
	M	\$9361	10027	—	—	—	—
	G	\$16323	18228	—	—	—	—



Eames® Standing Height Table,  
 Rectangular *continued*

Eames® Tables

		CR	CA	CB	CD	CE
ET445R S	L	\$4083	4747	—	—	—
	C	\$4665	5330	—	—	—
	W	\$5107	5771	—	—	—
	M	\$9694	10358	—	—	—
	G	\$18027	19945	—	—	—

		NG	C2	C3	CM	CN	CP
ET454R S	L	\$4183	4848	—	—	—	—
	C	\$4784	5447	—	—	—	—
	W	\$5217	5880	—	—	—	—
	M	\$9391	10055	—	—	—	—
	G	\$18332	20250	—	—	—	—

		CR	CA	CB	CD	CE
ET454R S	L	\$4516	5180	—	—	—
	C	\$5112	5779	—	—	—
	W	\$5547	6210	—	—	—
	M	\$9723	10388	—	—	—
	G	\$20047	21954	—	—	—

		NG	C2	C3	CM	CN	CP
ET447R S	L	\$4268	4933	—	—	—	—
	C	\$4873	5540	—	—	—	—
	W	\$5380	6046	—	—	—	—
	M	\$9433	10099	—	—	—	—
	G	\$20642	22589	—	—	—	—

		CR	CA	CB	CD	CE
ET447R S	L	\$4602	5265	—	—	—
	C	\$5208	5871	—	—	—
	W	\$5714	6376	—	—	—
	M	\$9766	10431	—	—	—
	G	\$22359	24264	—	—	—

		NG	C2	C3	CM	CN	CP
ET455R S	L	\$5007	5673	—	—	—	—
	C	\$5647	6311	—	—	—	—
	W	\$6226	6890	—	—	—	—
	G	\$21636	23557	—	—	—	—

		CR	CA	CB	CD	CE
ET455R S	L	\$5340	6003	—	—	—
	C	\$5980	6643	—	—	—
	W	\$6556	7221	—	—	—
	G	\$23455	25275	—	—	—

		NG	C2	C3	CM	CN	CP
ET456R S	L	\$5067	5731	—	—	—	—
	C	\$5821	6485	—	—	—	—
	W	\$6471	7134	—	—	—	—
	G	\$22934	24857	—	—	—	—

		CR	CA	CB	CD	CE
ET456R S	L	\$5400	6063	—	—	—
	C	\$6153	6816	—	—	—
	W	\$6804	7467	—	—	—
	G	\$24655	26577	—	—	—

		NG	C2	C3	CM	CN	CP
ET457R S	L	\$6504	7168	—	—	—	—
	C	\$7215	7880	—	—	—	—
	W	\$7975	8637	—	—	—	—
	G	\$25536	27456	—	—	—	—

		CR	CA	CB	CD	CE
ET457R S	L	\$6838	7500	—	—	—
	C	\$7549	8213	—	—	—
	W	\$8307	8971	—	—	—
	G	\$27255	29173	—	—	—

		NG	C2	C3	CM	CN	CP
ET458R S	L	\$7347	8010	—	8010	—	—
	C	\$8198	8863	—	8863	—	—
	W	\$9062	9730	—	9730	—	—
	G	\$29173	31081	—	31153	—	—

		CR	CA	CB	CD	CE
ET458R S	L	—	—	\$8674	—	—
	C	—	—	\$9527	—	—
	W	—	—	\$10393	—	—
	G	—	—	\$33074	—	—

		NG	C2	C3	CM	CN	CP
ET460R S	L	\$7923	8587	—	8587	—	—
	C	\$8801	9465	—	9465	—	—
	W	\$9811	10475	—	10475	—	—

		CR	CA	CB	CD	CE
ET460R S	L	—	—	\$9251	—	—
	C	—	—	\$10130	—	—
	W	—	—	\$11138	—	—

Eames® Standing Height Table,  
 Rectangular *continued*

Eames® Tables

		NG	C2	C3	CM	CN	CP
ET461R S	L	\$8572	9238	—	9238	—	—
	C	\$9483	10148	—	10148	—	—
	W	\$10602	11267	—	11267	—	—

		CR	CA	CB	CD	CE
ET461R S	L	—	—	\$9900	—	—
	C	—	—	-\$10811	—	—
	W	—	—	-\$11930	—	—

		NG	C2	C3	CM	CN	CP
ET462R S	L	\$9349	10015	—	10015	—	—
	C	\$10402	11068	—	11068	—	—
	W	\$11631	12295	—	12295	—	—

		CR	CA	CB	CD	CE
ET462R S	L	—	—	-\$10679	—	—
	C	—	—	-\$11733	—	—
	W	—	—	-\$12958	—	—

		NG	C2	C3	CM	CN	CP
ET464R S	L	\$10423	11085	—	—	—	11419
	C	\$11725	12390	—	—	—	12723
	W	\$13099	13763	—	—	—	14094

		CR	CA	CB	CD	CE
ET464R S	L	—	—	—	—	12085
	C	—	—	—	—	13386
	W	—	—	—	—	14758

		NG	C2	C3	CM	CN	CP
ET466R S	L	\$11566	—	12561	—	12895	—
	C	\$12915	—	13912	—	14242	—
	W	\$14431	—	15427	—	15759	—

		CR	CA	CB	CD	CE
ET466R S	L	—	—	—	—	-\$13888
	C	—	—	—	—	-\$15238
	W	—	—	—	—	-\$16754

		NG	C2	C3	CM	CN	CP
ET468R S	L	\$12685	—	13679	—	14011	—
	C	\$14087	—	15084	—	15415	—
	W	\$15748	—	16745	—	17077	—

		CR	CA	CB	CD	CE
ET468R S	L	—	—	—	-\$15009	—
	C	—	—	—	-\$16414	—
	W	—	—	—	-\$18072	—

		NG	C2	C3	CM	CN	CP
ET470R S	L	\$13771	—	14769	—	15099	—
	C	\$15434	—	16431	—	16764	—
	W	\$17240	—	18238	—	18568	—

		CR	CA	CB	CD	CE
ET470R S	L	—	—	—	-\$16095	—
	C	—	—	—	-\$17759	—
	W	—	—	—	-\$19566	—

		NG	C2	C3	CM	CN	CP
ET471R S	L	\$13724	14387	—	14387	—	—
	C	\$16612	17275	—	17275	—	—
	W	\$17623	18286	—	18286	—	—
	G	\$36151	38059	—	38128	—	—

		CR	CA	CB	CD	CE
ET471R S	L	—	—	-\$15052	—	—
	C	—	—	-\$17939	—	—
	W	—	—	-\$18949	—	—
	G	—	—	-\$40050	—	—

		NG	C2	C3	CM	CN	CP
ET472R S	L	\$14298	14962	—	14962	—	—
	C	\$17479	18142	—	18142	—	—
	W	\$18631	19299	—	19299	—	—

		CR	CA	CB	CD	CE
ET472R S	L	—	—	—	-\$15627	—
	C	—	—	—	-\$18806	—
	W	—	—	—	-\$19962	—

		NG	C2	C3	CM	CN	CP
ET473R S	L	\$14732	15397	—	15397	—	—
	C	\$18201	18864	—	18864	—	—
	W	\$19464	20127	—	20127	—	—

		CR	CA	CB	CD	CE
ET473R S	L	—	—	—	-\$16059	—
	C	—	—	—	-\$19528	—
	W	—	—	—	-\$20791	—

Eames® Standing Height Table,  
Rectangular *continued*

		NG	C2	C3	CM	CN	CP
ET474R S	L	\$15309	15976	—	15976	—	—
	C	\$19066	19730	—	19730	—	—
	W	\$20439	21103	—	21103	—	—

			CR	CA	CB	CD	CE
ET474R S	L		—	-\$16638	—	—	—
	C		—	-\$20393	—	—	—
	W		—	-\$21766	—	—	—

		NG	C2	C3	CM	CN	CP
ET475R S	L	\$18201	18864	—	—	—	19197
	C	\$25421	26084	—	—	—	26417
	W	\$26938	27602	—	—	—	27933

			CR	CA	CB	CD	CE
ET475R S	L		—	—	—	—	19859
	C		—	—	—	—	27082
	W		—	—	—	—	28598

		NG	C2	C3	CM	CN	CP
ET476R S	L	\$22099	—	23096	—	23427	—
	C	\$31632	—	32627	—	32958	—
	W	\$33291	—	34286	—	34620	—

			CR	CA	CB	CD	CE
ET476R S	L		—	—	—	—	-\$24424
	C		—	—	—	—	-\$33957
	W		—	—	—	—	-\$35617

		NG	C2	C3	CM	CN	CP
ET477R S	L	\$23976	—	24972	—	25307	—
	C	\$33651	—	34650	—	34980	—
	W	\$35457	—	36452	—	36786	—

			CR	CA	CB	CD	CE
ET477R S	L		—	—	—	—	-\$26302
	C		—	—	—	—	-\$35977
	W		—	—	—	—	-\$37783

		NG	C2	C3	CM	CN	CP
ET478R S	L	\$24409	—	25405	—	25738	—
	C	\$34950	—	35946	—	36279	—
	W	\$36902	—	37896	—	38230	—

			CR	CA	CB	CD	CE
ET478R S	L		—	—	—	—	-\$26735
	C		—	—	—	—	-\$37277
	W		—	—	—	—	-\$39226

		NG	C2	C3	CM	CN	CP
ET587R S	L	\$2692	3357	—	—	—	—
	C	\$3239	3903	—	—	—	—
	W	\$3470	4133	—	—	—	—
	M	\$4885	5548	—	—	—	—
	G	\$9896	11024	—	—	—	—
	SW	\$6722	8041	—	—	—	—

			CR	CA	CB	CD	CE
ET587R S	L		\$3024	3688	—	—	—
	C		\$3570	4234	—	—	—
	W		\$3802	4466	—	—	—
	M		\$5218	5882	—	—	—
	G		\$11081	12221	—	—	—
	SW		\$7381	8109	—	—	—

		NG	C2	C3	CM	CN	CP
ET588R S	L	\$2867	3530	—	—	—	—
	C	\$3498	4162	—	—	—	—
	W	\$3843	4509	—	—	—	—
	M	\$4915	5578	—	—	—	—
	G	\$11121	12265	—	—	—	—
	SW	\$7249	8699	—	—	—	—

			CR	CA	CB	CD	CE
ET588R S	L		\$3198	3864	—	—	—
	C		\$3831	4496	—	—	—
	W		\$4179	4841	—	—	—
	M		\$5245	5912	—	—	—
	G		\$12307	13449	—	—	—
	SW		\$7908	8636	—	—	—

		NG	C2	C3	CM	CN	CP
ET542R S	L	\$3004	3671	—	—	—	—
	C	\$3570	4234	—	—	—	—
	W	\$3853	4516	—	—	—	—
	M	\$5865	6533	—	—	—	—
	G	\$11121	12265	—	—	—	—
	SW	\$8271	9589	—	—	—	—

Eames® Tables

Eames® Standing Height Table,  
 Rectangular *continued*

Eames® Tables

		CR	CA	CB	CD	CE
ET542R S	L	\$3338	4003	—	—	—
	C	\$3903	4566	—	—	—
	W	\$4183	4848	—	—	—
	M	\$6199	6863	—	—	—
	G	\$12307	13449	—	—	—
	SW	\$8930	9658	—	—	—

		NG	C2	C3	CM	CN	CP
ET543R S	L	\$3074	3738	—	—	—	—
	C	\$3672	4336	—	—	—	—
	W	\$4004	4668	—	—	—	—
	M	\$5895	6559	—	—	—	—
	G	\$12596	13724	—	—	—	—
	SW	\$8831	10148	—	—	—	—

		CR	CA	CB	CD	CE
ET543R S	L	\$3407	4071	—	—	—
	C	\$4004	4668	—	—	—
	W	\$4336	5001	—	—	—
	M	\$6230	6893	—	—	—
	G	\$13780	14922	—	—	—
	SW	\$9490	10217	—	—	—

		NG	C2	C3	CM	CN	CP
ET544R S	L	\$3201	3867	—	—	—	—
	C	\$3931	4596	—	—	—	—
	W	\$4350	5016	—	—	—	—
	M	\$5941	6604	—	—	—	—
	G	\$14055	15196	—	—	—	—

		CR	CA	CB	CD	CE
ET544R S	L	\$3533	4198	—	—	—
	C	\$4265	4927	—	—	—
	W	\$4683	5346	—	—	—
	M	\$6270	6937	—	—	—
	G	\$15255	16382	—	—	—

		NG	C2	C3	CM	CN	CP
ET589R S	L	\$3408	4072	—	—	—	—
	C	\$4162	4826	—	—	—	—
	W	\$4466	5132	—	—	—	—
	M	\$5968	6633	—	—	—	—
	G	\$15630	16770	—	—	—	—

		CR	CA	CB	CD	CE
ET589R S	L	\$3739	4405	—	—	—
	C	\$4496	5159	—	—	—
	W	\$4797	5463	—	—	—
	M	\$6299	6963	—	—	—
	G	\$16829	17954	—	—	—

		NG	C2	C3	CM	CN	CP
ET550R S	L	\$3541	4205	—	—	—	—
	C	\$4063	4727	—	—	—	—
	W	\$4538	5202	—	—	—	—
	M	\$5912	6575	—	—	—	—
	G	\$13173	14316	—	—	—	—

		CR	CA	CB	CD	CE
ET550R S	L	\$3872	4537	—	—	—
	C	\$4393	5057	—	—	—
	W	\$4870	5535	—	—	—
	M	\$6241	6907	—	—	—
	G	\$14374	15500	—	—	—

		NG	C2	C3	CM	CN	CP
ET551R S	L	\$3637	4304	—	—	—	—
	C	\$4113	4780	—	—	—	—
	W	\$4579	5241	—	—	—	—
	M	\$5923	6587	—	—	—	—
	G	\$14055	15196	—	—	—	—

		CR	CA	CB	CD	CE
ET551R S	L	\$3971	4634	—	—	—
	C	\$4446	5109	—	—	—
	W	\$4909	5574	—	—	—
	M	\$6258	6921	—	—	—
	G	\$15255	16382	—	—	—

		NG	C2	C3	CM	CN	CP
ET552R S	L	\$3710	4375	—	—	—	—
	C	\$4291	4955	—	—	—	—
	W	\$4725	5389	—	—	—	—
	M	\$9361	10027	—	—	—	—
	G	\$14951	16078	—	—	—	—

Eames® Standing Height Table,  
Rectangular *continued*

		CR	CA	CB	CD	CE
ET552R S	L	\$4041	4705	—	—	—
	C	\$4624	5286	—	—	—
	W	\$5056	5720	—	—	—
	M	\$9694	10358	—	—	—
	G	\$16136	17275	—	—	—

		NG	C2	C3	CM	CN	CP
ET545R S	L	\$3751	4414	—	—	—	—
	C	\$4333	4999	—	—	—	—
	W	\$4776	5441	—	—	—	—
	M	\$9361	10027	—	—	—	—
	G	\$16323	18228	—	—	—	—

		CR	CA	CB	CD	CE
ET545R S	L	\$4083	4747	—	—	—
	C	\$4665	5330	—	—	—
	W	\$5107	5771	—	—	—
	M	\$9694	10358	—	—	—
	G	\$18027	19945	—	—	—

		NG	C2	C3	CM	CN	CP
ET554R S	L	\$4183	4848	—	—	—	—
	C	\$4784	5447	—	—	—	—
	W	\$5217	5880	—	—	—	—
	M	\$9391	10055	—	—	—	—
	G	\$18332	20250	—	—	—	—

		CR	CA	CB	CD	CE
ET554R S	L	\$4516	5180	—	—	—
	C	\$5112	5779	—	—	—
	W	\$5547	6210	—	—	—
	M	\$9723	10388	—	—	—
	G	\$20047	21954	—	—	—

		NG	C2	C3	CM	CN	CP
ET547R S	L	\$4268	4933	—	—	—	—
	C	\$4873	5540	—	—	—	—
	W	\$5380	6046	—	—	—	—
	M	\$9433	10099	—	—	—	—
	G	\$20642	22589	—	—	—	—

		CR	CA	CB	CD	CE
ET547R S	L	\$4602	5265	—	—	—
	C	\$5208	5871	—	—	—
	W	\$5714	6376	—	—	—
	M	\$9766	10431	—	—	—
	G	\$22359	24264	—	—	—

		NG	C2	C3	CM	CN	CP
ET555R S	L	\$5007	5673	—	—	—	—
	C	\$5647	6311	—	—	—	—
	W	\$6226	6890	—	—	—	—
	G	\$21636	23557	—	—	—	—

		CR	CA	CB	CD	CE
ET555R S	L	\$5340	6003	—	—	—
	C	\$5980	6643	—	—	—
	W	\$6556	7221	—	—	—
	G	\$23455	25275	—	—	—

		NG	C2	C3	CM	CN	CP
ET556R S	L	\$5067	5731	—	—	—	—
	C	\$5821	6485	—	—	—	—
	W	\$6471	7134	—	—	—	—
	G	\$22934	24857	—	—	—	—

		CR	CA	CB	CD	CE
ET556R S	L	\$5400	6063	—	—	—
	C	\$6153	6816	—	—	—
	W	\$6804	7467	—	—	—
	G	\$24655	26577	—	—	—

		NG	C2	C3	CM	CN	CP
ET557R S	L	\$6504	7168	—	—	—	—
	C	\$7215	7880	—	—	—	—
	W	\$7975	8637	—	—	—	—
	G	\$25536	27456	—	—	—	—

		CR	CA	CB	CD	CE
ET557R S	L	\$6838	7500	—	—	—
	C	\$7549	8213	—	—	—
	W	\$8307	8971	—	—	—
	G	\$27255	29173	—	—	—

Eames® Standing Height Table,  
 Rectangular *continued*

Eames® Tables

		NG	C2	C3	CM	CN	CP
ET558R S	L	\$7347	8010	—	8010	—	—
	C	\$8198	8863	—	8863	—	—
	W	\$9062	9730	—	9730	—	—
	G	\$29173	31081	—	31153	—	—
		CR	CA	CB	CD	CE	
ET558R S	L	—	—	\$8674	—	—	—
	C	—	—	\$9527	—	—	—
	W	—	—	-\$10393	—	—	—
	G	—	—	-\$33074	—	—	—
		NG	C2	C3	CM	CN	CP
ET560R S	L	\$7923	8587	—	8587	—	—
	C	\$8801	9465	—	9465	—	—
	W	\$9811	10475	—	10475	—	—
		CR	CA	CB	CD	CE	
ET560R S	L	—	—	\$9251	—	—	—
	C	—	—	-\$10130	—	—	—
	W	—	—	-\$11138	—	—	—
		NG	C2	C3	CM	CN	CP
ET561R S	L	\$8572	9238	—	9238	—	—
	C	\$9483	10148	—	10148	—	—
	W	\$10602	11267	—	11267	—	—
		CR	CA	CB	CD	CE	
ET561R S	L	—	—	\$9900	—	—	—
	C	—	—	-\$10811	—	—	—
	W	—	—	-\$11930	—	—	—
		NG	C2	C3	CM	CN	CP
ET562R S	L	\$9349	10015	—	10015	—	—
	C	\$10402	11068	—	11068	—	—
	W	\$11631	12295	—	12295	—	—
		CR	CA	CB	CD	CE	
ET562R S	L	—	—	-\$10679	—	—	—
	C	—	—	-\$11733	—	—	—
	W	—	—	-\$12958	—	—	—
		NG	C2	C3	CM	CN	CP
ET564R S	L	\$10423	11085	—	—	—	11419
	C	\$11725	12390	—	—	—	12723
	W	\$13099	13763	—	—	—	14094

		CR	CA	CB	CD	CE	
ET564R S	L	—	—	—	—	12085	
	C	—	—	—	—	13386	
	W	—	—	—	—	14758	
		NG	C2	C3	CM	CN	CP
ET566R S	L	\$11566	—	12561	—	12895	—
	C	\$12915	—	13912	—	14242	—
	W	\$14431	—	15427	—	15759	—
		CR	CA	CB	CD	CE	
ET566R S	L	—	—	—	-\$13888	—	—
	C	—	—	—	-\$15238	—	—
	W	—	—	—	-\$16754	—	—
		NG	C2	C3	CM	CN	CP
ET568R S	L	\$12685	—	13679	—	14011	—
	C	\$14087	—	15084	—	15415	—
	W	\$15748	—	16745	—	17077	—
		CR	CA	CB	CD	CE	
ET568R S	L	—	—	—	-\$15009	—	—
	C	—	—	—	-\$16414	—	—
	W	—	—	—	-\$18072	—	—
		NG	C2	C3	CM	CN	CP
ET570R S	L	\$13771	—	14769	—	15099	—
	C	\$15434	—	16431	—	16764	—
	W	\$17240	—	18238	—	18568	—
		CR	CA	CB	CD	CE	
ET570R S	L	—	—	—	-\$16095	—	—
	C	—	—	—	-\$17759	—	—
	W	—	—	—	-\$19566	—	—
		NG	C2	C3	CM	CN	CP
ET571R S	L	\$13724	14387	—	14387	—	—
	C	\$16612	17275	—	17275	—	—
	W	\$17623	18286	—	18286	—	—
	G	\$36151	38059	—	38128	—	—
		CR	CA	CB	CD	CE	
ET571R S	L	—	—	—	-\$15052	—	—
	C	—	—	—	-\$17939	—	—
	W	—	—	—	-\$18949	—	—
	G	—	—	—	-\$40050	—	—

Eames® Standing Height Table,  
Rectangular *continued*

		NG	C2	C3	CM	CN	CP
ET572R S	L	\$14298	14962	—	14962	—	—
	C	\$17479	18142	—	18142	—	—
	W	\$18631	19299	—	19299	—	—

			CR	CA	CB	CD	CE
ET572R S	L		—	-\$15627	—	—	—
	C		—	-\$18806	—	—	—
	W		—	-\$19962	—	—	—

		NG	C2	C3	CM	CN	CP
ET573R S	L	\$14732	15397	—	15397	—	—
	C	\$18201	18864	—	18864	—	—
	W	\$19464	20127	—	20127	—	—

			CR	CA	CB	CD	CE
ET573R S	L		—	-\$16059	—	—	—
	C		—	-\$19528	—	—	—
	W		—	-\$20791	—	—	—

		NG	C2	C3	CM	CN	CP
ET574R S	L	\$15309	15976	—	15976	—	—
	C	\$19066	19730	—	19730	—	—
	W	\$20439	21103	—	21103	—	—

			CR	CA	CB	CD	CE
ET574R S	L		—	-\$16638	—	—	—
	C		—	-\$20393	—	—	—
	W		—	-\$21766	—	—	—

		NG	C2	C3	CM	CN	CP
ET575R S	L	\$18201	18864	—	—	—	19197
	C	\$25421	26084	—	—	—	26417
	W	\$26938	27602	—	—	—	27933

			CR	CA	CB	CD	CE
ET575R S	L		—	—	—	—	19859
	C		—	—	—	—	27082
	W		—	—	—	—	28598

		NG	C2	C3	CM	CN	CP
ET576R S	L	\$22099	—	23096	—	23427	—
	C	\$31632	—	32627	—	32958	—
	W	\$33291	—	34286	—	34620	—

			CR	CA	CB	CD	CE
ET576R S	L		—	—	—	-\$24424	—
	C		—	—	—	-\$33957	—
	W		—	—	—	-\$35617	—

		NG	C2	C3	CM	CN	CP
ET577R S	L	\$23976	—	24972	—	25307	—
	C	\$33651	—	34650	—	34980	—
	W	\$35457	—	36452	—	36786	—

			CR	CA	CB	CD	CE
ET577R S	L		—	—	—	-\$26302	—
	C		—	—	—	-\$35977	—
	W		—	—	—	-\$37783	—

		NG	C2	C3	CM	CN	CP
ET578R S	L	\$24409	—	25405	—	25738	—
	C	\$34950	—	35946	—	36279	—
	W	\$36902	—	37896	—	38230	—

			CR	CA	CB	CD	CE
ET578R S	L		—	—	—	-\$26735	—
	C		—	—	—	-\$37277	—
	W		—	—	—	-\$39226	—

Step 7.

Top Finish: Finish  
For back-painted glass top (G)

<b>8Q</b>	folkstone grey	+\$0
<b>91</b>	white	+\$0
<b>BK</b>	black	+\$0
<b>WN</b>	warm grey neutral	+\$0

Top Finish: Finish  
For thin profile HPL top with black edge (M)

<b>91</b>	white	+\$0
<b>G1</b>	graphite	+\$0
<b>BK</b>	black	+\$0

# Eames® Standing Height Table, Rectangular *continued*

Eames® Tables

Top Finish: Solid-Color Laminate		
<i>For high-pressure laminate top with vinyl edge (L)</i>		
<b>8Q</b>	folkstone grey	+\$0
<b>91</b>	white	+\$0
<b>98</b>	studio white	+\$0
<b>BKM</b>	black matte	+\$0
<b>CL</b>	cool grey neutral	+\$0
<b>HF</b>	inner tone light	+\$0
<b>LT</b>	light tone	+\$0
<b>LU</b>	soft white	+\$0
<b>WL</b>	sandstone	+\$0
<b>WN</b>	warm grey neutral	+\$0

Top Finish		
<i>For 30" deep x 60" wide (87R) with solid wood top (SW)</i>		
<b>OU</b>	walnut <span style="border: 1px solid black; padding: 0 2px;">A</span>	+\$575
<b>WHN</b>	natural white oak <span style="border: 1px solid black; padding: 0 2px;">A</span>	+\$0

Top Finish		
<i>For 30" deep x 72" wide (88R) with solid wood top (SW)</i>		
<b>OU</b>	walnut <span style="border: 1px solid black; padding: 0 2px;">A</span>	+\$675
<b>WHN</b>	natural white oak <span style="border: 1px solid black; padding: 0 2px;">A</span>	+\$0

Top Finish		
<i>For 36" deep x 60" wide (42R) with solid wood top (SW)</i>		
<b>OU</b>	walnut <span style="border: 1px solid black; padding: 0 2px;">A</span>	+\$700
<b>WHN</b>	natural white oak <span style="border: 1px solid black; padding: 0 2px;">A</span>	+\$0

Top Finish		
<i>For 36" deep x 72" wide (43R) with solid wood top (SW)</i>		
<b>OU</b>	walnut <span style="border: 1px solid black; padding: 0 2px;">A</span>	+\$815
<b>WHN</b>	natural white oak <span style="border: 1px solid black; padding: 0 2px;">A</span>	+\$0

Top Finish: Wood Veneer		
<i>For 30" deep x 60" wide (87R) with veneer top with vinyl edge (C)</i>		
<b>2U</b>	light brown walnut	+\$250
<b>40</b>	dark brown walnut	+\$250
<b>9N</b>	santos palisander	+\$950
<b>A2</b>	white ash	+\$250
<b>CHD</b>	noble cherry	+\$250
<b>EN</b>	ebony	+\$250
<b>OU</b>	walnut	+\$250
<b>UL</b>	natural maple	+\$250
<b>WHN</b>	natural white oak	+\$0

Top Finish: Wood Veneer		
<i>For 30" deep x 72" wide (88R) with veneer top with vinyl edge (C)</i>		
<b>2U</b>	light brown walnut	+\$265
<b>40</b>	dark brown walnut	+\$265
<b>9N</b>	santos palisander	+\$1009
<b>A2</b>	white ash	+\$265
<b>CHD</b>	noble cherry	+\$265
<b>EN</b>	ebony	+\$265
<b>OU</b>	walnut	+\$265
<b>UL</b>	natural maple	+\$265
<b>WHN</b>	natural white oak	+\$0

Top Finish: Wood Veneer		
<i>For 36" deep x 60" wide (42R) with veneer top with vinyl edge (C)</i>		
<b>2U</b>	light brown walnut	+\$265
<b>40</b>	dark brown walnut	+\$265
<b>9N</b>	santos palisander	+\$1009
<b>A2</b>	white ash	+\$265
<b>CHD</b>	noble cherry	+\$265
<b>EN</b>	ebony	+\$265
<b>OU</b>	walnut	+\$265
<b>UL</b>	natural maple	+\$265
<b>WHN</b>	natural white oak	+\$0

Top Finish: Wood Veneer		
<i>For 36" deep x 72" wide (43R) with veneer top with vinyl edge (C)</i>		
<b>2U</b>	light brown walnut	+\$290
<b>40</b>	dark brown walnut	+\$290
<b>9N</b>	santos palisander	+\$1104
<b>A2</b>	white ash	+\$290
<b>CHD</b>	noble cherry	+\$290
<b>EN</b>	ebony	+\$290
<b>OU</b>	walnut	+\$290
<b>UL</b>	natural maple	+\$290
<b>WHN</b>	natural white oak	+\$0

Top Finish: Wood Veneer		
<i>For 36" deep x 84" wide (44R) with veneer top with vinyl edge (C)</i>		
<b>2U</b>	light brown walnut	+\$305
<b>40</b>	dark brown walnut	+\$305
<b>9N</b>	santos palisander	+\$1161
<b>A2</b>	white ash	+\$305
<b>CHD</b>	noble cherry	+\$305
<b>EN</b>	ebony	+\$305
<b>OU</b>	walnut	+\$305
<b>UL</b>	natural maple	+\$305
<b>WHN</b>	natural white oak	+\$0



Eames® Standing Height Table,  
Rectangular *continued*

Top Finish: Wood Veneer		
<i>For 36" deep x 96" wide (89R) with veneer top with vinyl edge (C)</i>		
<b>2U</b>	light brown walnut	+\$330
<b>40</b>	dark brown walnut	+\$330
<b>9N</b>	santos palisander	+\$1420
<b>A2</b>	white ash	+\$330
<b>CHD</b>	noble cherry	+\$330
<b>EN</b>	ebony	+\$330
<b>OU</b>	walnut	+\$330
<b>UL</b>	natural maple	+\$330
<b>WHN</b>	natural white oak	+\$0

Top Finish: Wood Veneer		
<i>For 42" deep x 84" wide (45R) with veneer top with vinyl edge (C)</i>		
<b>2U</b>	light brown walnut	+\$330
<b>40</b>	dark brown walnut	+\$330
<b>9N</b>	santos palisander	+\$1320
<b>A2</b>	white ash	+\$330
<b>CHD</b>	noble cherry	+\$330
<b>EN</b>	ebony	+\$330
<b>OU</b>	walnut	+\$330
<b>UL</b>	natural maple	+\$330
<b>WHN</b>	natural white oak	+\$0

Top Finish: Wood Veneer		
<i>For 42" deep x 66" wide (50R) with veneer top with vinyl edge (C)</i>		
<b>2U</b>	light brown walnut	+\$290
<b>40</b>	dark brown walnut	+\$290
<b>9N</b>	santos palisander	+\$1160
<b>A2</b>	white ash	+\$290
<b>CHD</b>	noble cherry	+\$290
<b>EN</b>	ebony	+\$290
<b>OU</b>	walnut	+\$290
<b>UL</b>	natural maple	+\$290
<b>WHN</b>	natural white oak	+\$0

Top Finish: Wood Veneer		
<i>For 48" deep x 84" wide (54R) with veneer top with vinyl edge (C)</i>		
<b>2U</b>	light brown walnut	+\$385
<b>40</b>	dark brown walnut	+\$385
<b>9N</b>	santos palisander	+\$1656
<b>A2</b>	white ash	+\$385
<b>CHD</b>	noble cherry	+\$385
<b>EN</b>	ebony	+\$385
<b>OU</b>	walnut	+\$385
<b>UL</b>	natural maple	+\$385
<b>WHN</b>	natural white oak	+\$0

Top Finish: Wood Veneer		
<i>For 42" deep x 72" wide (51R) with veneer top with vinyl edge (C)</i>		
<b>2U</b>	light brown walnut	+\$305
<b>40</b>	dark brown walnut	+\$305
<b>9N</b>	santos palisander	+\$1220
<b>A2</b>	white ash	+\$305
<b>CHD</b>	noble cherry	+\$305
<b>EN</b>	ebony	+\$305
<b>OU</b>	walnut	+\$305
<b>UL</b>	natural maple	+\$305
<b>WHN</b>	natural white oak	+\$0

Top Finish: Wood Veneer		
<i>For 48" deep x 96" wide (47R) with veneer top with vinyl edge (C)</i>		
<b>2U</b>	light brown walnut	+\$385
<b>40</b>	dark brown walnut	+\$385
<b>9N</b>	santos palisander	+\$1656
<b>A2</b>	white ash	+\$385
<b>CHD</b>	noble cherry	+\$385
<b>EN</b>	ebony	+\$385
<b>OU</b>	walnut	+\$385
<b>UL</b>	natural maple	+\$385
<b>WHN</b>	natural white oak	+\$0

Top Finish: Wood Veneer		
<i>For 42" deep x 78" wide (52R) with veneer top with vinyl edge (C)</i>		
<b>2U</b>	light brown walnut	+\$330
<b>40</b>	dark brown walnut	+\$330
<b>9N</b>	santos palisander	+\$1320
<b>A2</b>	white ash	+\$330
<b>CHD</b>	noble cherry	+\$330
<b>EN</b>	ebony	+\$330
<b>OU</b>	walnut	+\$330
<b>UL</b>	natural maple	+\$330
<b>WHN</b>	natural white oak	+\$0

Top Finish: Wood Veneer		
<i>For 54" deep x 90" wide (55R) with veneer top with vinyl edge (C)</i>		
<b>2U</b>	light brown walnut	+\$425
<b>40</b>	dark brown walnut	+\$425
<b>9N</b>	santos palisander	+\$1700
<b>A2</b>	white ash	+\$425
<b>CHD</b>	noble cherry	+\$425
<b>EN</b>	ebony	+\$425
<b>OU</b>	walnut	+\$425
<b>UL</b>	natural maple	+\$425
<b>WHN</b>	natural white oak	+\$0

# Eames® Standing Height Table, Rectangular *continued*

Eames® Tables

Top Finish: Wood Veneer		
<i>For 54" deep x 96" wide (56R) with veneer top with vinyl edge (C)</i>		
<b>2U</b>	light brown walnut	+\$440
<b>40</b>	dark brown walnut	+\$440
<b>9N</b>	santos palisander	+\$1760
<b>A2</b>	white ash	+\$440
<b>CHD</b>	noble cherry	+\$440
<b>EN</b>	ebony	+\$440
<b>OU</b>	walnut	+\$440
<b>UL</b>	natural maple	+\$440
<b>WHN</b>	natural white oak	+\$0

Top Finish: Wood Veneer		
<i>For 54" deep x 108" wide (57R) with veneer top with vinyl edge (C)</i>		
<b>2U</b>	light brown walnut	+\$500
<b>40</b>	dark brown walnut	+\$500
<b>9N</b>	santos palisander	+\$2350
<b>A2</b>	white ash	+\$500
<b>CHD</b>	noble cherry	+\$500
<b>EN</b>	ebony	+\$500
<b>OU</b>	walnut	+\$500
<b>UL</b>	natural maple	+\$500
<b>WHN</b>	natural white oak	+\$0

Top Finish: Wood Veneer		
<i>For 54" deep x 120" wide (58R) with veneer top with vinyl edge (C)</i>		
<b>2U</b>	light brown walnut	+\$540
<b>40</b>	dark brown walnut	+\$540
<b>9N</b>	santos palisander	+\$2538
<b>A2</b>	white ash	+\$540
<b>CHD</b>	noble cherry	+\$540
<b>EN</b>	ebony	+\$540
<b>OU</b>	walnut	+\$540
<b>UL</b>	natural maple	+\$540
<b>WHN</b>	natural white oak	+\$0

Top Finish: Wood Veneer		
<i>For 54" deep x 144" wide (60R) with veneer top with vinyl edge (C)</i>		
<b>2U</b>	light brown walnut	+\$585
<b>40</b>	dark brown walnut	+\$585
<b>9N</b>	santos palisander	+\$2750
<b>A2</b>	white ash	+\$585
<b>CHD</b>	noble cherry	+\$585
<b>EN</b>	ebony	+\$585
<b>OU</b>	walnut	+\$585
<b>UL</b>	natural maple	+\$585
<b>WHN</b>	natural white oak	+\$0

Top Finish: Wood Veneer		
<i>For 54" deep x 156" wide (61R) with veneer top with vinyl edge (C)</i>		
<b>2U</b>	light brown walnut	+\$635
<b>40</b>	dark brown walnut	+\$635
<b>9N</b>	santos palisander	+\$3175
<b>A2</b>	white ash	+\$635
<b>CHD</b>	noble cherry	+\$635
<b>EN</b>	ebony	+\$635
<b>OU</b>	walnut	+\$635
<b>UL</b>	natural maple	+\$635
<b>WHN</b>	natural white oak	+\$0

Top Finish: Wood Veneer		
<i>For 54" deep x 168" wide (62R) with veneer top with vinyl edge (C)</i>		
<b>2U</b>	light brown walnut	+\$690
<b>40</b>	dark brown walnut	+\$690
<b>9N</b>	santos palisander	+\$3450
<b>A2</b>	white ash	+\$690
<b>CHD</b>	noble cherry	+\$690
<b>EN</b>	ebony	+\$690
<b>OU</b>	walnut	+\$690
<b>UL</b>	natural maple	+\$690
<b>WHN</b>	natural white oak	+\$0

Top Finish: Wood Veneer		
<i>For 54" deep x 192" wide (64R) with veneer top with vinyl edge (C)</i>		
<b>2U</b>	light brown walnut	+\$755
<b>40</b>	dark brown walnut	+\$755
<b>9N</b>	santos palisander	+\$3775
<b>A2</b>	white ash	+\$755
<b>CHD</b>	noble cherry	+\$755
<b>EN</b>	ebony	+\$755
<b>OU</b>	walnut	+\$755
<b>UL</b>	natural maple	+\$755
<b>WHN</b>	natural white oak	+\$0

Top Finish: Wood Veneer		
<i>For 54" deep x 216" wide (66R) with veneer top with vinyl edge (C)</i>		
<b>2U</b>	light brown walnut	+\$815
<b>40</b>	dark brown walnut	+\$815
<b>9N</b>	santos palisander	+\$4075
<b>A2</b>	white ash	+\$815
<b>CHD</b>	noble cherry	+\$815
<b>EN</b>	ebony	+\$815
<b>OU</b>	walnut	+\$815
<b>UL</b>	natural maple	+\$815
<b>WHN</b>	natural white oak	+\$0

# Eames® Standing Height Table, Rectangular *continued*

Top Finish: Wood Veneer		
<i>For 54" deep x 240" wide (68R) with veneer top with vinyl edge (C)</i>		
<b>2U</b>	light brown walnut	+\$880
<b>40</b>	dark brown walnut	+\$880
<b>9N</b>	santos palisander	+\$4400
<b>A2</b>	white ash	+\$880
<b>CHD</b>	noble cherry	+\$880
<b>EN</b>	ebony	+\$880
<b>OU</b>	walnut	+\$880
<b>UL</b>	natural maple	+\$880
<b>WHN</b>	natural white oak	+\$0

Top Finish: Wood Veneer		
<i>For 60" deep x 156" wide (73R) with veneer top with vinyl edge (C)</i>		
<b>2U</b>	light brown walnut	+\$800
<b>40</b>	dark brown walnut	+\$800
<b>9N</b>	santos palisander	+\$3970
<b>A2</b>	white ash	+\$800
<b>CHD</b>	noble cherry	+\$800
<b>EN</b>	ebony	+\$800
<b>OU</b>	walnut	+\$800
<b>UL</b>	natural maple	+\$800
<b>WHN</b>	natural white oak	+\$0

Top Finish: Wood Veneer		
<i>For 54" deep x 264" wide (70R) with veneer top with vinyl edge (C)</i>		
<b>2U</b>	light brown walnut	+\$950
<b>40</b>	dark brown walnut	+\$950
<b>9N</b>	santos palisander	+\$5320
<b>A2</b>	white ash	+\$950
<b>CHD</b>	noble cherry	+\$950
<b>EN</b>	ebony	+\$950
<b>OU</b>	walnut	+\$950
<b>UL</b>	natural maple	+\$950
<b>WHN</b>	natural white oak	+\$0

Top Finish: Wood Veneer		
<i>For 60" deep x 168" wide (74R) with veneer top with vinyl edge (C)</i>		
<b>2U</b>	light brown walnut	+\$870
<b>40</b>	dark brown walnut	+\$870
<b>9N</b>	santos palisander	+\$4320
<b>A2</b>	white ash	+\$870
<b>CHD</b>	noble cherry	+\$870
<b>EN</b>	ebony	+\$870
<b>OU</b>	walnut	+\$870
<b>UL</b>	natural maple	+\$870
<b>WHN</b>	white oak	+\$0

Top Finish: Wood Veneer		
<i>For 60" deep x 120" wide (71R) with veneer top with vinyl edge (C)</i>		
<b>2U</b>	light brown walnut	+\$680
<b>40</b>	dark brown walnut	+\$680
<b>9N</b>	santos palisander	+\$3180
<b>A2</b>	white ash	+\$680
<b>CHD</b>	noble cherry	+\$680
<b>EN</b>	ebony	+\$680
<b>OU</b>	walnut	+\$680
<b>UL</b>	natural maple	+\$680
<b>WHN</b>	natural white oak	+\$0

Top Finish: Wood Veneer		
<i>For 60" deep x 192" wide (75R) with veneer top with vinyl edge (C)</i>		
<b>2U</b>	light brown walnut	+\$950
<b>40</b>	dark brown walnut	+\$950
<b>9N</b>	santos palisander	+\$4720
<b>A2</b>	white ash	+\$950
<b>CHD</b>	noble cherry	+\$950
<b>EN</b>	ebony	+\$950
<b>OU</b>	walnut	+\$950
<b>UL</b>	natural maple	+\$950
<b>WHN</b>	natural white oak	+\$0

Top Finish: Wood Veneer		
<i>For 60" deep x 144" wide (72R) with veneer top with vinyl edge (C)</i>		
<b>2U</b>	light brown walnut	+\$740
<b>40</b>	dark brown walnut	+\$740
<b>9N</b>	santos palisander	+\$3440
<b>A2</b>	white ash	+\$740
<b>CHD</b>	noble cherry	+\$740
<b>EN</b>	ebony	+\$740
<b>OU</b>	walnut	+\$740
<b>UL</b>	natural maple	+\$740
<b>WHN</b>	natural white oak	+\$0

Top Finish: Wood Veneer		
<i>For 60" deep x 216" wide (76R) with veneer top with vinyl edge (C)</i>		
<b>2U</b>	light brown walnut	+\$1020
<b>40</b>	dark brown walnut	+\$1020
<b>9N</b>	santos palisander	+\$5100
<b>A2</b>	white ash	+\$1020
<b>CHD</b>	noble cherry	+\$1020
<b>EN</b>	ebony	+\$1020
<b>OU</b>	walnut	+\$1020
<b>UL</b>	natural maple	+\$1020
<b>WHN</b>	natural white oak	+\$0

# Eames® Standing Height Table, Rectangular *continued*

Eames® Tables

Top Finish: Wood Veneer		
<i>For 60" deep x 240" wide (77R) with veneer top with vinyl edge (C)</i>		
<b>2U</b>	light brown walnut	+\$1100
<b>40</b>	dark brown walnut	+\$1100
<b>9N</b>	santos palisander	+\$5500
<b>A2</b>	white ash	+\$1100
<b>CHD</b>	noble cherry	+\$1100
<b>EN</b>	ebony	+\$1100
<b>OU</b>	walnut	+\$1100
<b>UL</b>	natural maple	+\$1100
<b>WHN</b>	natural white oak	+\$0

Top Finish: Wood Veneer		
<i>For 60" deep x 264" wide (78R) with veneer top with vinyl edge (C)</i>		
<b>2U</b>	light brown walnut	+\$1190
<b>40</b>	dark brown walnut	+\$1190
<b>9N</b>	santos palisander	+\$6650
<b>A2</b>	white ash	+\$1190
<b>CHD</b>	noble cherry	+\$1190
<b>EN</b>	ebony	+\$1190
<b>OU</b>	walnut	+\$1190
<b>UL</b>	natural maple	+\$1190
<b>WHN</b>	natural white oak	+\$0

Top/Edge Finish		
<i>For 30" deep x 60" wide (87R) with veneer top with veneer edge (W)</i>		
<b>2U</b>	light brown walnut	+\$250
<b>40</b>	dark brown walnut	+\$250
<b>9N</b>	santos palisander	+\$950
<b>A2</b>	white ash	+\$250
<b>CHD</b>	noble cherry	+\$250
<b>EN</b>	ebony	+\$250
<b>OU</b>	walnut	+\$250
<b>UL</b>	natural maple	+\$250
<b>WHN</b>	natural white oak	+\$0

Top/Edge Finish		
<i>For 30" deep x 72" wide (88R) with veneer top with veneer edge (W)</i>		
<b>2U</b>	light brown walnut	+\$265
<b>40</b>	dark brown walnut	+\$265
<b>9N</b>	santos palisander	+\$1009
<b>A2</b>	white ash	+\$265
<b>CHD</b>	noble cherry	+\$265
<b>EN</b>	ebony	+\$265
<b>OU</b>	walnut	+\$265
<b>UL</b>	natural maple	+\$265
<b>WHN</b>	natural white oak	+\$0

Top/Edge Finish		
<i>For 36" deep x 60" wide (42R) with veneer top with veneer edge (W)</i>		
<b>2U</b>	light brown walnut	+\$265
<b>40</b>	dark brown walnut	+\$265
<b>9N</b>	santos palisander	+\$1009
<b>A2</b>	white ash	+\$265
<b>CHD</b>	noble cherry	+\$265
<b>EN</b>	ebony	+\$265
<b>OU</b>	walnut	+\$265
<b>UL</b>	natural maple	+\$265
<b>WHN</b>	natural white oak	+\$0

Top/Edge Finish		
<i>For 36" deep x 72" wide (43R) with veneer top with veneer edge (W)</i>		
<b>2U</b>	light brown walnut	+\$290
<b>40</b>	dark brown walnut	+\$290
<b>9N</b>	santos palisander	+\$1104
<b>A2</b>	white ash	+\$290
<b>CHD</b>	noble cherry	+\$290
<b>EN</b>	ebony	+\$290
<b>OU</b>	walnut	+\$290
<b>UL</b>	natural maple	+\$290
<b>WHN</b>	natural white oak	+\$0

Top/Edge Finish		
<i>For 36" deep x 84" wide (44R) with veneer top with veneer edge (W)</i>		
<b>2U</b>	light brown walnut	+\$305
<b>40</b>	dark brown walnut	+\$305
<b>9N</b>	santos palisander	+\$1161
<b>A2</b>	white ash	+\$305
<b>CHD</b>	noble cherry	+\$305
<b>EN</b>	ebony	+\$305
<b>OU</b>	walnut	+\$305
<b>UL</b>	natural maple	+\$305
<b>WHN</b>	natural white oak	+\$0

Top/Edge Finish		
<i>For 36" deep x 96" wide (89R) with veneer top with veneer edge (W)</i>		
<b>2U</b>	light brown walnut	+\$330
<b>40</b>	dark brown walnut	+\$330
<b>9N</b>	santos palisander	+\$1420
<b>A2</b>	white ash	+\$330
<b>CHD</b>	noble cherry	+\$330
<b>EN</b>	ebony	+\$330
<b>OU</b>	walnut	+\$330
<b>UL</b>	natural maple	+\$330
<b>WHN</b>	natural white oak	+\$0

# Eames® Standing Height Table, Rectangular *continued*

Top/Edge Finish		
<i>For 42" deep x 66" wide (50R) with veneer top with veneer edge (W)</i>		
<b>2U</b>	light brown walnut	+\$290
<b>40</b>	dark brown walnut	+\$290
<b>9N</b>	santos palisander	+\$1160
<b>A2</b>	white ash	+\$290
<b>CHD</b>	noble cherry	+\$290
<b>EN</b>	ebony	+\$290
<b>OU</b>	walnut	+\$290
<b>UL</b>	natural maple	+\$290
<b>WHN</b>	natural white oak	+\$0

Top/Edge Finish		
<i>For 42" deep x 72" wide (51R) with veneer top with veneer edge (W)</i>		
<b>2U</b>	light brown walnut	+\$305
<b>40</b>	dark brown walnut	+\$305
<b>9N</b>	santos palisander	+\$1220
<b>A2</b>	white ash	+\$305
<b>CHD</b>	noble cherry	+\$305
<b>EN</b>	ebony	+\$305
<b>OU</b>	walnut	+\$305
<b>UL</b>	natural maple	+\$305
<b>WHN</b>	natural white oak	+\$0

Top/Edge Finish		
<i>For 42" deep x 78" wide (52R) with veneer top with veneer edge (W)</i>		
<b>2U</b>	light brown walnut	+\$330
<b>40</b>	dark brown walnut	+\$330
<b>9N</b>	santos palisander	+\$1320
<b>A2</b>	white ash	+\$330
<b>CHD</b>	noble cherry	+\$330
<b>EN</b>	ebony	+\$330
<b>OU</b>	walnut	+\$330
<b>UL</b>	natural maple	+\$330
<b>WHN</b>	natural white oak	+\$0

Top/Edge Finish		
<i>For 42" deep x 84" wide (45R) with veneer top with veneer edge (W)</i>		
<b>2U</b>	light brown walnut	+\$330
<b>40</b>	dark brown walnut	+\$330
<b>9N</b>	santos palisander	+\$1320
<b>A2</b>	white ash	+\$330
<b>CHD</b>	noble cherry	+\$330
<b>EN</b>	ebony	+\$330
<b>OU</b>	walnut	+\$330
<b>UL</b>	natural maple	+\$330
<b>WHN</b>	natural white oak	+\$0

Top/Edge Finish		
<i>For 48" deep x 84" wide (54R) with veneer top with veneer edge (W)</i>		
<b>2U</b>	light brown walnut	+\$385
<b>40</b>	dark brown walnut	+\$385
<b>9N</b>	santos palisander	+\$1656
<b>A2</b>	white ash	+\$385
<b>CHD</b>	noble cherry	+\$385
<b>EN</b>	ebony	+\$385
<b>OU</b>	walnut	+\$385
<b>UL</b>	natural maple	+\$385
<b>WHN</b>	natural white oak	+\$0

Top/Edge Finish		
<i>For 48" deep x 96" wide (47R) with veneer top with veneer edge (W)</i>		
<b>2U</b>	light brown walnut	+\$385
<b>40</b>	dark brown walnut	+\$385
<b>9N</b>	santos palisander	+\$1656
<b>A2</b>	white ash	+\$385
<b>CHD</b>	noble cherry	+\$385
<b>EN</b>	ebony	+\$385
<b>OU</b>	walnut	+\$385
<b>UL</b>	natural maple	+\$385
<b>WHN</b>	natural white oak	+\$0

Top/Edge Finish		
<i>For 54" deep x 90" wide (55R) with veneer top with veneer edge (W)</i>		
<b>2U</b>	light brown walnut	+\$425
<b>40</b>	dark brown walnut	+\$425
<b>9N</b>	santos palisander	+\$1700
<b>A2</b>	white ash	+\$425
<b>CHD</b>	noble cherry	+\$425
<b>EN</b>	ebony	+\$425
<b>OU</b>	walnut	+\$425
<b>UL</b>	natural maple	+\$425
<b>WHN</b>	natural white oak	+\$0

Top/Edge Finish		
<i>For 54" deep x 96" wide (56R) with veneer top with veneer edge (W)</i>		
<b>2U</b>	light brown walnut	+\$440
<b>40</b>	dark brown walnut	+\$440
<b>9N</b>	santos palisander	+\$1760
<b>A2</b>	white ash	+\$440
<b>CHD</b>	noble cherry	+\$440
<b>EN</b>	ebony	+\$440
<b>OU</b>	walnut	+\$440
<b>UL</b>	natural maple	+\$440
<b>WHN</b>	natural white oak	+\$0

# Eames® Standing Height Table, Rectangular *continued*

Eames® Tables

Top/Edge Finish		
<i>For 54" deep x 108" wide (57R) with veneer top with veneer edge (W)</i>		
<b>2U</b>	light brown walnut	+\$500
<b>40</b>	dark brown walnut	+\$500
<b>9N</b>	santos palisander	+\$2350
<b>A2</b>	white ash	+\$500
<b>CHD</b>	noble cherry	+\$500
<b>EN</b>	ebony	+\$500
<b>OU</b>	walnut	+\$500
<b>UL</b>	natural maple	+\$500
<b>WHN</b>	natural white oak	+\$0

Top/Edge Finish		
<i>For 54" deep x 120" wide (58R) with veneer top with veneer edge (W)</i>		
<b>2U</b>	light brown walnut	+\$540
<b>40</b>	dark brown walnut	+\$540
<b>9N</b>	santos palisander	+\$2538
<b>A2</b>	white ash	+\$540
<b>CHD</b>	noble cherry	+\$540
<b>EN</b>	ebony	+\$540
<b>OU</b>	walnut	+\$540
<b>UL</b>	natural maple	+\$540
<b>WHN</b>	natural white oak	+\$0

Top/Edge Finish		
<i>For 54" deep x 144" wide (60R) with veneer top with veneer edge (W)</i>		
<b>2U</b>	light brown walnut	+\$585
<b>40</b>	dark brown walnut	+\$585
<b>9N</b>	santos palisander	+\$2750
<b>A2</b>	white ash	+\$585
<b>CHD</b>	noble cherry	+\$585
<b>EN</b>	ebony	+\$585
<b>OU</b>	walnut	+\$585
<b>UL</b>	natural maple	+\$585
<b>WHN</b>	natural white oak	+\$0

Top/Edge Finish		
<i>For 54" deep x 156" wide (61R) with veneer top with veneer edge (W)</i>		
<b>2U</b>	light brown walnut	+\$635
<b>40</b>	dark brown walnut	+\$635
<b>9N</b>	santos palisander	+\$3175
<b>A2</b>	white ash	+\$635
<b>CHD</b>	noble cherry	+\$635
<b>EN</b>	ebony	+\$635
<b>OU</b>	walnut	+\$635
<b>UL</b>	natural maple	+\$635
<b>WHN</b>	natural white oak	+\$0

Top/Edge Finish		
<i>For 54" deep x 168" wide (62R) with veneer top with veneer edge (W)</i>		
<b>2U</b>	light brown walnut	+\$690
<b>40</b>	dark brown walnut	+\$690
<b>9N</b>	santos palisander	+\$3450
<b>A2</b>	white ash	+\$690
<b>CHD</b>	noble cherry	+\$690
<b>EN</b>	ebony	+\$690
<b>OU</b>	walnut	+\$690
<b>UL</b>	natural maple	+\$690
<b>WHN</b>	natural white oak	+\$0

Top/Edge Finish		
<i>For 54" deep x 192" wide (64R) with veneer top with veneer edge (W)</i>		
<b>2U</b>	light brown walnut	+\$755
<b>40</b>	dark brown walnut	+\$755
<b>9N</b>	santos palisander	+\$3775
<b>A2</b>	white ash	+\$755
<b>CHD</b>	noble cherry	+\$755
<b>EN</b>	ebony	+\$755
<b>OU</b>	walnut	+\$755
<b>UL</b>	natural maple	+\$755
<b>WHN</b>	natural white oak	+\$0

Top/Edge Finish		
<i>For 54" deep x 216" wide (66R) with veneer top with veneer edge (W)</i>		
<b>2U</b>	light brown walnut	+\$815
<b>40</b>	dark brown walnut	+\$815
<b>9N</b>	santos palisander	+\$4075
<b>A2</b>	white ash	+\$815
<b>CHD</b>	noble cherry	+\$815
<b>EN</b>	ebony	+\$815
<b>OU</b>	walnut	+\$815
<b>UL</b>	natural maple	+\$815
<b>WHN</b>	natural white oak	+\$0

Top/Edge Finish		
<i>For 54" deep x 240" wide (68R) with veneer top with veneer edge (W)</i>		
<b>2U</b>	light brown walnut	+\$880
<b>40</b>	dark brown walnut	+\$880
<b>9N</b>	santos palisander	+\$4400
<b>A2</b>	white ash	+\$880
<b>CHD</b>	noble cherry	+\$880
<b>EN</b>	ebony	+\$880
<b>OU</b>	walnut	+\$880
<b>UL</b>	natural maple	+\$880
<b>WHN</b>	natural white oak	+\$0

# Eames® Standing Height Table, Rectangular *continued*

Top/Edge Finish		
<i>For 54" deep x 264" wide (70R) with veneer top with veneer edge (W)</i>		
<b>2U</b>	light brown walnut	+\$950
<b>40</b>	dark brown walnut	+\$950
<b>9N</b>	santos palisander	+\$5320
<b>A2</b>	white ash	+\$950
<b>CHD</b>	noble cherry	+\$950
<b>EN</b>	ebony	+\$950
<b>OU</b>	walnut	+\$950
<b>UL</b>	natural maple	+\$950
<b>WHN</b>	natural white oak	+\$0

Top/Edge Finish		
<i>For 60" deep x 120" wide (71R) with veneer top with veneer edge (W)</i>		
<b>2U</b>	light brown walnut	+\$680
<b>40</b>	dark brown walnut	+\$680
<b>9N</b>	santos palisander	+\$3180
<b>A2</b>	white ash	+\$680
<b>CHD</b>	noble cherry	+\$680
<b>EN</b>	ebony	+\$680
<b>OU</b>	walnut	+\$680
<b>UL</b>	natural maple	+\$680
<b>WHN</b>	natural white oak	+\$0

Top/Edge Finish		
<i>For 60" deep x 144" wide (72R) with veneer top with veneer edge (W)</i>		
<b>2U</b>	light brown walnut	+\$740
<b>40</b>	dark brown walnut	+\$740
<b>9N</b>	santos palisander	+\$3440
<b>A2</b>	white ash	+\$740
<b>CHD</b>	noble cherry	+\$740
<b>EN</b>	ebony	+\$740
<b>OU</b>	walnut	+\$740
<b>UL</b>	natural maple	+\$740
<b>WHN</b>	natural white oak	+\$0

Top/Edge Finish		
<i>For 60" deep x 156" wide (73R) with veneer top with veneer edge (W)</i>		
<b>2U</b>	light brown walnut	+\$800
<b>40</b>	dark brown walnut	+\$800
<b>9N</b>	santos palisander	+\$3970
<b>A2</b>	white ash	+\$800
<b>CHD</b>	noble cherry	+\$800
<b>EN</b>	ebony	+\$800
<b>OU</b>	walnut	+\$800
<b>UL</b>	natural maple	+\$800
<b>WHN</b>	natural white oak	+\$0

Top/Edge Finish		
<i>For 60" deep x 168" wide (74R) with veneer top with veneer edge (W)</i>		
<b>2U</b>	light brown walnut	+\$870
<b>40</b>	dark brown walnut	+\$870
<b>9N</b>	santos palisander	+\$4320
<b>A2</b>	white ash	+\$870
<b>CHD</b>	noble cherry	+\$870
<b>EN</b>	ebony	+\$870
<b>OU</b>	walnut	+\$870
<b>UL</b>	natural maple	+\$870
<b>WHN</b>	natural white oak	+\$0

Top/Edge Finish		
<i>For 60" deep x 192" wide (75R) with veneer top with veneer edge (W)</i>		
<b>2U</b>	light brown walnut	+\$950
<b>40</b>	dark brown walnut	+\$950
<b>9N</b>	santos palisander	+\$4720
<b>A2</b>	white ash	+\$950
<b>CHD</b>	noble cherry	+\$950
<b>EN</b>	ebony	+\$950
<b>OU</b>	walnut	+\$950
<b>UL</b>	natural maple	+\$950
<b>WHN</b>	natural white oak	+\$0

Step 8. Edge Finish		
<i>For high-pressure laminate top with vinyl edge (L) or veneer top with vinyl edge (C)</i>		
<b>8Q</b>	folkstone grey	+\$0
<b>91</b>	white	+\$0
<b>98</b>	studio white	+\$0
<b>BK</b>	black	+\$0
<b>BU</b>	black umber	+\$0
<b>CL</b>	cool grey neutral	+\$0
<b>HF</b>	inner tone light	+\$0
<b>LT</b>	light tone	+\$0
<b>LU</b>	soft white	+\$0
<b>SG</b>	slate grey	+\$0
<b>WL</b>	sandstone	+\$0
<b>WN</b>	warm grey neutral	+\$0

Step 9. Grommet Finish		
<i>For 2 round cutouts, over columns (C2) or 3 round cutouts, over columns (C3)</i>		
<b>91</b>	white	+\$0
<b>BK</b>	black	+\$0
<b>PA</b>	polished aluminum	+\$0

# Eames® Standing Height Table, Rectangular *continued*

Eames® Tables

*For single centered oval cutout (CR) or 2 round cutouts and center oval cutout (CA)*

<b>91</b>	white	+\$0
<b>BK</b>	black	+\$0
<b>PA</b>	polished aluminum	+\$150

*For 2 oval cutouts (CM) or 2 round cutouts and 2 oval cutouts (CB)*

<b>91</b>	white	+\$0
<b>BK</b>	black	+\$0
<b>PA</b>	polished aluminum	+\$300

*For 3 oval cutouts (CP) or 2 round cutouts and 3 oval cutouts (CE)*

<b>91</b>	white	+\$0
<b>BK</b>	black	+\$0
<b>PA</b>	polished aluminum	+\$450

*For 4 oval cutouts (CN) or 3 round cutouts and 4 oval cutouts (CD)*

<b>91</b>	white	+\$0
<b>BK</b>	black	+\$0
<b>PA</b>	polished aluminum	+\$0
<b>PA</b>	polished aluminum	+\$600

**Step 10. Column Finish**

<b>91</b>	white	+\$0
<b>BK</b>	black	+\$0
<b>BU</b>	black umber	+\$0
<b>CL</b>	cool grey neutral	+\$0
<b>G2</b>	graphite satin	+\$0
<b>HF</b>	inner tone light	+\$0
<b>LT</b>	light tone	+\$0
<b>LU</b>	soft white	+\$0
<b>MT</b>	medium tone	+\$0
<b>SG</b>	slate grey	+\$0
<b>WN</b>	warm grey neutral	+\$0
<b>CN</b>	metallic champagne	+\$0
<b>EH</b>	metallic bronze	+\$0
<b>MS</b>	metallic silver	+\$0

**Step 11. Base Finish**

<b>91</b>	white	+\$0
<b>BK</b>	black	+\$0
<b>BU</b>	black umber	+\$0
<b>CL</b>	cool grey neutral	+\$0
<b>G2</b>	graphite satin	+\$0
<b>HF</b>	inner tone light	+\$0
<b>LT</b>	light tone	+\$0
<b>LU</b>	soft white	+\$0
<b>MT</b>	medium tone	+\$0
<b>PA</b>	polished aluminum	+\$0
<b>SG</b>	slate grey	+\$0
<b>WN</b>	warm grey neutral	+\$0
<b>CN</b>	metallic champagne	+\$0
<b>EH</b>	metallic bronze	+\$0
<b>MS</b>	metallic silver	+\$0



# Eames® Standing Height Table, Oval



## Product Information

### Description

This segmented base table has a laminate or veneer top with vinyl edge, a veneer top and edge, a thin-profile HPL top with black edge, a back-painted glass top with modified bullnose edge, or a solid wood top. Table may be specified with cutouts to accommodate simple power options (specified separately). Each table has adjustable glides. Shipped knocked down.

### Notes

60"-wide to 96"-wide tables have a 1-piece top and 2-column segmented base. 60"-deep tables have a dual run of columns.

For veneer tables, 108"-wide to 192"-wide tops are shipped in 2 equal pieces; 216"-wide and 264"-wide tops are shipped in 3 equal pieces.

For laminate tables, 108"-wide tables have a 1-piece top; 120"-wide to 216"-wide tops are shipped in 2 equal pieces; 240"-wide and 264"-wide tops are shipped in 3 equal pieces.

Laminate and veneer tops are 1<sup>1</sup>/<sub>4</sub>" thick.

Thin profile HPL tops are 1/2" thick.

Glass tops are back-painted, with a satin etch finish to reduce the appearance of fingerprints. Tops up to 42"×78" are 1/2" thick; tops 42"×84" to 60"×120" are 3/8" thick with a Formcoat® substructure.

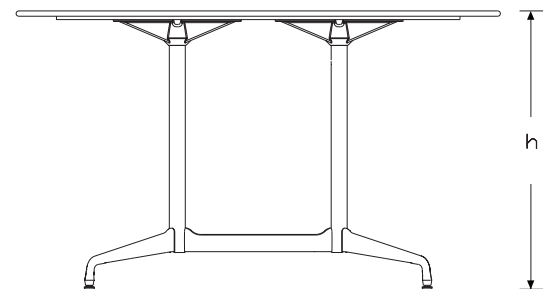
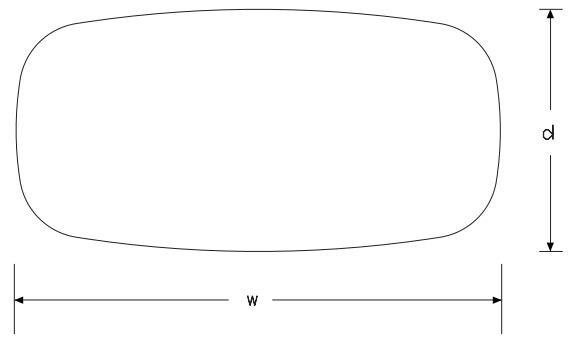
Tables may be specified with cutouts for power in various configurations. Round cutouts align with columns, and oval cutouts are centered between columns.

Order the following compatible power components separately:

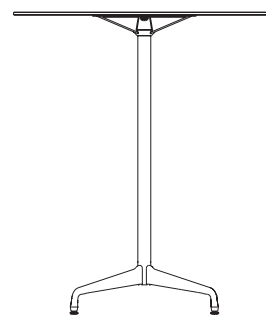
- Round power module (ET991.)
- Oval power module (ET992.)
- Pair of oval power modules (ET993.)
- Oval power module & undermount power (ET994.)
- Pair of oval power modules & undermount power (ET995.)

Santos palisander veneer is celebrated for its unique grain and color variations. Similar products ordered in multiples or dissimilar products ordered separately should be expected to have variation in both grain and color characteristics; no two products will look exactly alike.

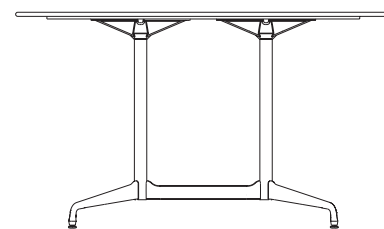
## Dimensions



Segmented Base, Width View



30"-54", Depth View



60", Depth View

# Eames® Standing Height Table, Oval *continued*

Specification Information	
Step 1.	
<b>ET</b>	
Step 2. Height	
<b>4</b>	36" high
<b>5</b>	42" high
Step 3. Depth/Width	
<b>87V</b>	30" deep x 60" wide
<b>88V</b>	30" deep x 72" wide
<b>49V</b>	36" deep x 60" wide
<b>43V</b>	36" deep x 72" wide
<b>44V</b>	36" deep x 84" wide
<b>89V</b>	36" deep x 96" wide
<b>50V</b>	42" deep x 66" wide
<b>51V</b>	42" deep x 72" wide
<b>52V</b>	42" deep x 78" wide
<b>53V</b>	42" deep x 84" wide
<b>54V</b>	48" deep x 84" wide
<b>47V</b>	48" deep x 96" wide
<b>55V</b>	54" deep x 90" wide
<b>56V</b>	54" deep x 96" wide
<b>57V</b>	54" deep x 108" wide
<b>58V</b>	54" deep x 120" wide
<b>60V</b>	54" deep x 144" wide
<b>61V</b>	54" deep x 156" wide
<b>62V</b>	54" deep x 168" wide
<b>64V</b>	54" deep x 192" wide
<b>66V</b>	54" deep x 216" wide
<b>68V</b>	54" deep x 240" wide
<b>70V</b>	54" deep x 264" wide
<b>71V</b>	60" deep x 120" wide
<b>72V</b>	60" deep x 144" wide
<b>73V</b>	60" deep x 156" wide
<b>74V</b>	60" deep x 168" wide
<b>75V</b>	60" deep x 192" wide
<b>76V</b>	60" deep x 216" wide
<b>77V</b>	60" deep x 240" wide
<b>78V</b>	60" deep x 264" wide
Step 4. Base	
<b>S</b>	segmented base

Step 5. Surface Material	
<i>For 30" deep x 60" wide (87V), 30" deep x 72" wide (88V), 36" deep x 60" wide (49V), or 36" deep x 72" wide (43V)</i>	
<b>L</b>	high-pressure laminate top with vinyl edge
<b>C</b>	veneer top with vinyl edge
<b>W</b>	veneer top with veneer edge
<b>M</b>	thin profile HPL top with black edge
<b>G</b>	back-painted glass top
<i>For 36" deep x 84" wide (44V), 36" deep x 96" wide (89V), 42" deep x 66" wide (50V), 42" deep x 72" wide (51V), 42" deep x 78" wide (52V), 42" deep x 84" wide (53V), 48" deep x 84" wide (54V), or 48" deep x 96" wide (47V)</i>	
<b>L</b>	high-pressure laminate top with vinyl edge <span style="border: 1px solid black; padding: 0 2px;">A</span>
<b>C</b>	veneer top with vinyl edge <span style="border: 1px solid black; padding: 0 2px;">A</span>
<b>W</b>	veneer top with veneer edge <span style="border: 1px solid black; padding: 0 2px;">A</span>
<b>M</b>	thin profile HPL top with black edge <span style="border: 1px solid black; padding: 0 2px;">A</span>
<b>G</b>	back-painted glass top <span style="border: 1px solid black; padding: 0 2px;">A</span>
<i>For 54" deep x 90" wide (55V), 54" deep x 96" wide (56V), 54" deep x 108" wide (57V), 54" deep x 120" wide (58V), or 60" deep x 120" wide (71V)</i>	
<b>L</b>	high-pressure laminate top with vinyl edge
<b>C</b>	veneer top with vinyl edge
<b>W</b>	veneer top with veneer edge
<b>G</b>	back-painted glass top
<i>For 54" deep x 144" wide (60V), 54" deep x 156" wide (61V), 54" deep x 168" wide (62V), 54" deep x 192" wide (64V), 54" deep x 216" wide (66V), 54" deep x 240" wide (68V), 54" deep x 264" wide (70V), 60" deep x 144" wide (72V), 60" deep x 156" wide (73V), 60" deep x 168" wide (74V), 60" deep x 192" wide (75V), 60" deep x 216" wide (76V), 60" deep x 240" wide (77V), or 60" deep x 264" wide (78V)</i>	
<b>L</b>	high-pressure laminate top with vinyl edge
<b>C</b>	veneer top with vinyl edge
<b>W</b>	veneer top with veneer edge

Eames® Standing Height Table,  
Oval *continued*

Step 6. Grommets

For 30" deep x 60" wide (87V), 30" deep x 72" wide (88V), 36" deep x 60" wide (49V), 36" deep x 72" wide (43V), 36" deep x 84" wide (44V), 36" deep x 96" wide (89V), 42" deep x 66" wide (50V), 42" deep x 72" wide (51V), 42" deep x 78" wide (52V), 42" deep x 84" wide (53V), 48" deep x 84" wide (54V), 48" deep x 96" wide (47V), 54" deep x 90" wide (55V), 54" deep x 96" wide (56V), or 54" deep x 108" wide (57V)

- NG** no grommet
- C2** 2 round cutouts, over columns
- CR** single centered oval cutout
- CA** 2 round cutouts and center oval cutout

For 54" deep x 120" wide (58V), 54" deep x 144" wide (60V), 54" deep x 156" wide (61V), 54" deep x 168" wide (62V), 60" deep x 120" wide (71V), 60" deep x 144" wide (72V), 60" deep x 156" wide (73V), or 60" deep x 168" wide (74V)

- NG** no grommet
- C2** 2 round cutouts, over columns
- CM** 2 oval cutouts
- CB** 2 round cutouts and 2 oval cutouts

For 54" deep x 192" wide (64V) or 60" deep x 192" wide (75V)

- NG** no grommet
- C2** 2 round cutouts, over columns
- CP** 3 oval cutouts
- CE** 2 round cutouts and 3 oval cutouts

For 54" deep x 216" wide (66V), 54" deep x 240" wide (68V), 54" deep x 264" wide (70V), 60" deep x 216" wide (76V), 60" deep x 240" wide (77V), or 60" deep x 264" wide (78V)

- NG** no grommet
- C3** 3 round cutouts, over columns
- CN** 4 oval cutouts
- CD** 3 round cutouts and 4 oval cutouts

Prices for Steps 1-6.

		NG	C2	C3	CM	CN	CP
<b>ET487V S</b>	<b>L</b>	\$2692	3357	—	—	—	—
	<b>C</b>	\$3239	3903	—	—	—	—
	<b>W</b>	\$3470	4133	—	—	—	—
	<b>M</b>	\$4885	5548	—	—	—	—
	<b>G</b>	\$9896	11024	—	—	—	—

		CR	CA	CB	CD	CE
<b>ET487V S</b>	<b>L</b>	\$3024	3688	—	—	—
	<b>C</b>	\$3570	4234	—	—	—
	<b>W</b>	\$3802	4466	—	—	—
	<b>M</b>	\$5218	5882	—	—	—
	<b>G</b>	\$11081	12221	—	—	—

		NG	C2	C3	CM	CN	CP
<b>ET488V S</b>	<b>L</b>	\$2867	3530	—	—	—	—
	<b>C</b>	\$3498	4162	—	—	—	—
	<b>W</b>	\$3843	4509	—	—	—	—
	<b>M</b>	\$4915	5578	—	—	—	—
	<b>G</b>	\$11121	12265	—	—	—	—

		CR	CA	CB	CD	CE
<b>ET488V S</b>	<b>L</b>	\$3198	3864	—	—	—
	<b>C</b>	\$3831	4496	—	—	—
	<b>W</b>	\$4179	4841	—	—	—
	<b>M</b>	\$5245	5912	—	—	—
	<b>G</b>	\$12307	13449	—	—	—

		NG	C2	C3	CM	CN	CP
<b>ET449V S</b>	<b>L</b>	\$3004	3671	—	—	—	—
	<b>C</b>	\$3570	4234	—	—	—	—
	<b>W</b>	\$3853	4516	—	—	—	—
	<b>M</b>	\$5865	6533	—	—	—	—
	<b>G</b>	\$11121	12265	—	—	—	—

		CR	CA	CB	CD	CE
<b>ET449V S</b>	<b>L</b>	\$3338	4003	—	—	—
	<b>C</b>	\$3903	4566	—	—	—
	<b>W</b>	\$4183	4848	—	—	—
	<b>M</b>	\$6199	6863	—	—	—
	<b>G</b>	\$12307	13449	—	—	—

		NG	C2	C3	CM	CN	CP
<b>ET443V S</b>	<b>L</b>	\$3074	3738	—	—	—	—
	<b>C</b>	\$3672	4336	—	—	—	—
	<b>W</b>	\$4004	4668	—	—	—	—
	<b>M</b>	\$5895	6559	—	—	—	—
	<b>G</b>	\$12596	13724	—	—	—	—

Eames® Standing Height Table,  
Oval *continued*

Eames® Tables

		CR	CA	CB	CD	CE
ET443V S	L	\$3407	4071	—	—	—
	C	\$4004	4668	—	—	—
	W	\$4336	5001	—	—	—
	M	\$6230	6893	—	—	—
	G	\$13780	14922	—	—	—

		NG	C2	C3	CM	CN	CP
ET444V S	L	\$3201	3867	—	—	—	—
	C	\$3931	4596	—	—	—	—
	W	\$4350	5016	—	—	—	—
	M	\$5941	6604	—	—	—	—
	G	\$14055	15196	—	—	—	—

		CR	CA	CB	CD	CE
ET444V S	L	\$3533	4198	—	—	—
	C	\$4265	4927	—	—	—
	W	\$4683	5346	—	—	—
	M	\$6270	6937	—	—	—
	G	\$15255	16382	—	—	—

		NG	C2	C3	CM	CN	CP
ET489V S	L	\$3408	4072	—	—	—	—
	C	\$4162	4826	—	—	—	—
	W	\$4466	5132	—	—	—	—
	M	\$5968	6633	—	—	—	—
	G	\$15630	16770	—	—	—	—

		CR	CA	CB	CD	CE
ET489V S	L	\$3739	4405	—	—	—
	C	\$4496	5159	—	—	—
	W	\$4797	5463	—	—	—
	M	\$6299	6963	—	—	—
	G	\$16829	17954	—	—	—

		NG	C2	C3	CM	CN	CP
ET450V S	L	\$3541	4205	—	—	—	—
	C	\$4063	4727	—	—	—	—
	W	\$4538	5202	—	—	—	—
	M	\$5912	6575	—	—	—	—
	G	\$13173	14316	—	—	—	—

		CR	CA	CB	CD	CE
ET450V S	L	\$3872	4537	—	—	—
	C	\$4393	5057	—	—	—
	W	\$4870	5535	—	—	—
	M	\$6241	6907	—	—	—
	G	\$14374	15500	—	—	—

		NG	C2	C3	CM	CN	CP
ET451V S	L	\$3637	4304	—	—	—	—
	C	\$4113	4780	—	—	—	—
	W	\$4579	5241	—	—	—	—
	M	\$5923	6587	—	—	—	—
	G	\$14055	15196	—	—	—	—

		CR	CA	CB	CD	CE
ET451V S	L	\$3971	4634	—	—	—
	C	\$4446	5109	—	—	—
	W	\$4909	5574	—	—	—
	M	\$6258	6921	—	—	—
	G	\$15255	16382	—	—	—

		NG	C2	C3	CM	CN	CP
ET452V S	L	\$3710	4375	—	—	—	—
	C	\$4291	4955	—	—	—	—
	W	\$4725	5389	—	—	—	—
	M	\$9361	10027	—	—	—	—
	G	\$14951	16078	—	—	—	—

		CR	CA	CB	CD	CE
ET452V S	L	\$4041	4705	—	—	—
	C	\$4624	5286	—	—	—
	W	\$5056	5720	—	—	—
	M	\$9694	10358	—	—	—
	G	\$16136	17275	—	—	—

		NG	C2	C3	CM	CN	CP
ET453V S	L	\$3751	4414	—	—	—	—
	C	\$4333	4999	—	—	—	—
	W	\$4776	5441	—	—	—	—
	M	\$9361	10027	—	—	—	—
	G	\$16323	18228	—	—	—	—

Eames® Standing Height Table,  
Oval *continued*

		CR	CA	CB	CD	CE
ET453V S	L	\$4083	4747	—	—	—
	C	\$4665	5330	—	—	—
	W	\$5107	5771	—	—	—
	M	\$9694	10358	—	—	—
	G	\$18027	19945	—	—	—

		NG	C2	C3	CM	CN	CP
ET454V S	L	\$4183	4848	—	—	—	—
	C	\$4784	5447	—	—	—	—
	W	\$5217	5880	—	—	—	—
	M	\$9391	10055	—	—	—	—
	G	\$18332	20250	—	—	—	—

		CR	CA	CB	CD	CE
ET454V S	L	\$4516	5180	—	—	—
	C	\$5112	5779	—	—	—
	W	\$5547	6210	—	—	—
	M	\$9723	10388	—	—	—
	G	\$20047	21954	—	—	—

		NG	C2	C3	CM	CN	CP
ET447V S	L	\$4268	4933	—	—	—	—
	C	\$4873	5540	—	—	—	—
	W	\$5380	6046	—	—	—	—
	M	\$9433	10099	—	—	—	—
	G	\$20642	22589	—	—	—	—

		CR	CA	CB	CD	CE
ET447V S	L	\$4602	5265	—	—	—
	C	\$5208	5871	—	—	—
	W	\$5714	6376	—	—	—
	M	\$9766	10431	—	—	—
	G	\$22359	24264	—	—	—

		NG	C2	C3	CM	CN	CP
ET455V S	L	\$5007	5673	—	—	—	—
	C	\$5647	6311	—	—	—	—
	W	\$6226	6890	—	—	—	—
	G	\$21636	23557	—	—	—	—

		CR	CA	CB	CD	CE
ET455V S	L	\$5340	6003	—	—	—
	C	\$5980	6643	—	—	—
	W	\$6556	7221	—	—	—
	G	\$23455	25275	—	—	—

		NG	C2	C3	CM	CN	CP
ET456V S	L	\$5067	5731	—	—	—	—
	C	\$5821	6485	—	—	—	—
	W	\$6471	7134	—	—	—	—
	G	\$22934	24857	—	—	—	—

		CR	CA	CB	CD	CE
ET456V S	L	\$5400	6063	—	—	—
	C	\$6153	6816	—	—	—
	W	\$6804	7467	—	—	—
	G	\$24655	26577	—	—	—

		NG	C2	C3	CM	CN	CP
ET457V S	L	\$6504	7168	—	—	—	—
	C	\$7215	7880	—	—	—	—
	W	\$7975	8637	—	—	—	—
	G	\$25536	27456	—	—	—	—

		CR	CA	CB	CD	CE
ET457V S	L	\$6838	7500	—	—	—
	C	\$7549	8213	—	—	—
	W	\$8307	8971	—	—	—
	G	\$27255	29173	—	—	—

		NG	C2	C3	CM	CN	CP
ET458V S	L	\$7347	8010	—	8010	—	—
	C	\$8198	8863	—	8863	—	—
	W	\$9062	9730	—	9730	—	—
	G	\$29173	31081	—	31153	—	—

		CR	CA	CB	CD	CE
ET458V S	L	—	—	\$8674	—	—
	C	—	—	\$9527	—	—
	W	—	—	\$10393	—	—
	G	—	—	\$33074	—	—

		NG	C2	C3	CM	CN	CP
ET460V S	L	\$7923	8587	—	8587	—	—
	C	\$8801	9465	—	9465	—	—
	W	\$9811	10475	—	10475	—	—

		CR	CA	CB	CD	CE
ET460V S	L	—	—	\$9251	—	—
	C	—	—	\$10130	—	—
	W	—	—	\$11138	—	—

Eames® Standing Height Table,  
Oval *continued*

Eames® Tables

		NG	C2	C3	CM	CN	CP
ET461V S	L	\$8572	9238	—	9238	—	—
	C	\$9483	10148	—	10148	—	—
	W	\$10602	11267	—	11267	—	—

		CR	CA	CB	CD	CE
ET461V S	L	—	—	\$9900	—	—
	C	—	—	-\$10811	—	—
	W	—	—	-\$11930	—	—

		NG	C2	C3	CM	CN	CP
ET462V S	L	\$9349	10015	—	10015	—	—
	C	\$10402	11068	—	11068	—	—
	W	\$11631	12295	—	12295	—	—

		CR	CA	CB	CD	CE
ET462V S	L	—	—	-\$10679	—	—
	C	—	—	-\$11733	—	—
	W	—	—	-\$12958	—	—

		NG	C2	C3	CM	CN	CP
ET464V S	L	\$10423	11085	—	—	—	11419
	C	\$11725	12390	—	—	—	12723
	W	\$13099	13763	—	—	—	14094

		CR	CA	CB	CD	CE
ET464V S	L	—	—	—	—	12085
	C	—	—	—	—	13386
	W	—	—	—	—	14758

		NG	C2	C3	CM	CN	CP
ET466V S	L	\$11566	—	12561	—	12895	—
	C	\$12915	—	13912	—	14242	—
	W	\$14431	—	15427	—	15759	—

		CR	CA	CB	CD	CE
ET466V S	L	—	—	—	—	-\$13888
	C	—	—	—	—	-\$15238
	W	—	—	—	—	-\$16754

		NG	C2	C3	CM	CN	CP
ET468V S	L	\$12685	—	13679	—	14011	—
	C	\$14087	—	15084	—	15415	—
	W	\$15748	—	16745	—	17077	—

		CR	CA	CB	CD	CE
ET468V S	L	—	—	—	-\$15009	—
	C	—	—	—	-\$16414	—
	W	—	—	—	-\$18072	—

		NG	C2	C3	CM	CN	CP
ET470V S	L	\$13771	—	14769	—	15099	—
	C	\$15434	—	16431	—	16764	—
	W	\$17240	—	18238	—	18568	—

		CR	CA	CB	CD	CE
ET470V S	L	—	—	—	-\$16095	—
	C	—	—	—	-\$17759	—
	W	—	—	—	-\$19566	—

		NG	C2	C3	CM	CN	CP
ET471V S	L	\$13724	14387	—	14387	—	—
	C	\$16612	17275	—	17275	—	—
	W	\$17623	18286	—	18286	—	—
	G	\$36151	38059	—	38128	—	—

		CR	CA	CB	CD	CE
ET471V S	L	—	—	—	-\$15052	—
	C	—	—	—	-\$17939	—
	W	—	—	—	-\$18949	—
	G	—	—	—	-\$40050	—

		NG	C2	C3	CM	CN	CP
ET472V S	L	\$14298	14962	—	14962	—	—
	C	\$17479	18142	—	18142	—	—
	W	\$18631	19299	—	19299	—	—

		CR	CA	CB	CD	CE
ET472V S	L	—	—	—	-\$15627	—
	C	—	—	—	-\$18806	—
	W	—	—	—	-\$19962	—

		NG	C2	C3	CM	CN	CP
ET473V S	L	\$14732	15397	—	15397	—	—
	C	\$18201	18864	—	18864	—	—
	W	\$19464	20127	—	20127	—	—

		CR	CA	CB	CD	CE
ET473V S	L	—	—	—	-\$16059	—
	C	—	—	—	-\$19528	—
	W	—	—	—	-\$20791	—

Eames® Standing Height Table,  
Oval *continued*

		NG	C2	C3	CM	CN	CP
ET474V S	L	\$15309	15976	—	15976	—	—
	C	\$19066	19730	—	19730	—	—
	W	\$20439	21103	—	21103	—	—

		CR	CA	CB	CD	CE
ET474V S	L	—	—\$16638	—	—	—
	C	—	—\$20393	—	—	—
	W	—	—\$21766	—	—	—

		NG	C2	C3	CM	CN	CP
ET475V S	L	\$18201	18864	—	—	—	19197
	C	\$25421	26084	—	—	—	26417
	W	\$26938	27602	—	—	—	27933

		CR	CA	CB	CD	CE
ET475V S	L	—	—	—	—	19859
	C	—	—	—	—	27082
	W	—	—	—	—	28598

		NG	C2	C3	CM	CN	CP
ET476V S	L	\$22099	—	23096	—	23427	—
	C	\$31632	—	32627	—	32958	—
	W	\$33291	—	34286	—	34620	—

		CR	CA	CB	CD	CE
ET476V S	L	—	—	—	—\$24424	—
	C	—	—	—	—\$33957	—
	W	—	—	—	—\$35617	—

		NG	C2	C3	CM	CN	CP
ET477V S	L	\$23976	—	24972	—	25307	—
	C	\$33651	—	34650	—	34980	—
	W	\$35457	—	36452	—	36786	—

		CR	CA	CB	CD	CE
ET477V S	L	—	—	—	—\$26302	—
	C	—	—	—	—\$35977	—
	W	—	—	—	—\$37783	—

		NG	C2	C3	CM	CN	CP
ET478V S	L	\$24409	—	25405	—	25738	—
	C	\$34950	—	35946	—	36279	—
	W	\$36902	—	37896	—	38230	—

		CR	CA	CB	CD	CE
ET478V S	L	—	—	—	—\$26735	—
	C	—	—	—	—\$37277	—
	W	—	—	—	—\$39226	—

		NG	C2	C3	CM	CN	CP
ET587V S	L	\$2692	3357	—	—	—	—
	C	\$3239	3903	—	—	—	—
	W	\$3470	4133	—	—	—	—
	M	\$4885	5548	—	—	—	—
	G	\$9896	11024	—	—	—	—

		CR	CA	CB	CD	CE
ET587V S	L	\$3024	3688	—	—	—
	C	\$3570	4234	—	—	—
	W	\$3802	4466	—	—	—
	M	\$5218	5882	—	—	—
	G	\$11081	12221	—	—	—

		NG	C2	C3	CM	CN	CP
ET588V S	L	\$2867	3530	—	—	—	—
	C	\$3498	4162	—	—	—	—
	W	\$3843	4509	—	—	—	—
	M	\$4915	5578	—	—	—	—
	G	\$11121	12265	—	—	—	—

		CR	CA	CB	CD	CE
ET588V S	L	\$3198	3864	—	—	—
	C	\$3831	4496	—	—	—
	W	\$4179	4841	—	—	—
	M	\$5245	5912	—	—	—
	G	\$12307	13449	—	—	—

		NG	C2	C3	CM	CN	CP
ET549V S	L	\$3004	3671	—	—	—	—
	C	\$3570	4234	—	—	—	—
	W	\$3853	4516	—	—	—	—
	M	\$5865	6533	—	—	—	—
	G	\$11121	12265	—	—	—	—

		CR	CA	CB	CD	CE
ET549V S	L	\$3338	4003	—	—	—
	C	\$3903	4566	—	—	—
	W	\$4183	4848	—	—	—
	M	\$6199	6863	—	—	—
	G	\$12307	13449	—	—	—

Eames® Standing Height Table,  
Oval *continued*

Eames® Tables

		NG	C2	C3	CM	CN	CP
ET543V S	L	\$3074	3738	—	—	—	—
	C	\$3672	4336	—	—	—	—
	W	\$4004	4668	—	—	—	—
	M	\$5895	6559	—	—	—	—
	G	\$12596	13724	—	—	—	—

		CR	CA	CB	CD	CE
ET543V S	L	\$3407	4071	—	—	—
	C	\$4004	4668	—	—	—
	W	\$4336	5001	—	—	—
	M	\$6230	6893	—	—	—
	G	\$13780	14922	—	—	—

		NG	C2	C3	CM	CN	CP
ET544V S	L	\$3201	3867	—	—	—	—
	C	\$3931	4596	—	—	—	—
	W	\$4350	5016	—	—	—	—
	M	\$5941	6604	—	—	—	—
	G	\$14055	15196	—	—	—	—

		CR	CA	CB	CD	CE
ET544V S	L	\$3533	4198	—	—	—
	C	\$4265	4927	—	—	—
	W	\$4683	5346	—	—	—
	M	\$6270	6937	—	—	—
	G	\$15255	16382	—	—	—

		NG	C2	C3	CM	CN	CP
ET589V S	L	\$3408	4072	—	—	—	—
	C	\$4162	4826	—	—	—	—
	W	\$4466	5132	—	—	—	—
	M	\$5968	6633	—	—	—	—
	G	\$15630	16770	—	—	—	—

		CR	CA	CB	CD	CE
ET589V S	L	\$3739	4405	—	—	—
	C	\$4496	5159	—	—	—
	W	\$4797	5463	—	—	—
	M	\$6299	6963	—	—	—
	G	\$16829	17954	—	—	—

		NG	C2	C3	CM	CN	CP
ET550V S	L	\$3541	4205	—	—	—	—
	C	\$4063	4727	—	—	—	—
	W	\$4538	5202	—	—	—	—
	M	\$5912	6575	—	—	—	—
	G	\$13173	14316	—	—	—	—

		CR	CA	CB	CD	CE
ET550V S	L	\$3872	4537	—	—	—
	C	\$4393	5057	—	—	—
	W	\$4870	5535	—	—	—
	M	\$6241	6907	—	—	—
	G	\$14374	15500	—	—	—

		NG	C2	C3	CM	CN	CP
ET551V S	L	\$3637	4304	—	—	—	—
	C	\$4113	4780	—	—	—	—
	W	\$4579	5241	—	—	—	—
	M	\$5923	6587	—	—	—	—
	G	\$14055	15196	—	—	—	—

		CR	CA	CB	CD	CE
ET551V S	L	\$3971	4634	—	—	—
	C	\$4446	5109	—	—	—
	W	\$4909	5574	—	—	—
	M	\$6258	6921	—	—	—
	G	\$15255	16382	—	—	—

		NG	C2	C3	CM	CN	CP
ET552V S	L	\$3710	4375	—	—	—	—
	C	\$4291	4955	—	—	—	—
	W	\$4725	5389	—	—	—	—
	M	\$9361	10027	—	—	—	—
	G	\$14951	16078	—	—	—	—

		CR	CA	CB	CD	CE
ET552V S	L	\$4041	4705	—	—	—
	C	\$4624	5286	—	—	—
	W	\$5056	5720	—	—	—
	M	\$9694	10358	—	—	—
	G	\$16136	17275	—	—	—



Eames® Standing Height Table,  
Oval *continued*

		NG	C2	C3	CM	CN	CP
ET553V S	L	\$3751	4414	—	—	—	—
	C	\$4333	4999	—	—	—	—
	W	\$4776	5441	—	—	—	—
	M	\$9361	10027	—	—	—	—
	G	\$16323	18228	—	—	—	—
		CR	CA	CB	CD	CE	
ET553V S	L	\$4083	4747	—	—	—	—
	C	\$4665	5330	—	—	—	—
	W	\$5107	5771	—	—	—	—
	M	\$9694	10358	—	—	—	—
	G	\$18027	19945	—	—	—	—
		NG	C2	C3	CM	CN	CP
ET554V S	L	\$4183	4848	—	—	—	—
	C	\$4784	5447	—	—	—	—
	W	\$5217	5880	—	—	—	—
	M	\$9391	10055	—	—	—	—
	G	\$18332	20250	—	—	—	—
		CR	CA	CB	CD	CE	
ET554V S	L	\$4516	5180	—	—	—	—
	C	\$5112	5779	—	—	—	—
	W	\$5547	6210	—	—	—	—
	M	\$9723	10388	—	—	—	—
	G	\$20047	21954	—	—	—	—
		NG	C2	C3	CM	CN	CP
ET547V S	L	\$4268	4933	—	—	—	—
	C	\$4873	5540	—	—	—	—
	W	\$5380	6046	—	—	—	—
	M	\$9433	10099	—	—	—	—
	G	\$20642	22589	—	—	—	—
		CR	CA	CB	CD	CE	
ET547V S	L	\$4602	5265	—	—	—	—
	C	\$5208	5871	—	—	—	—
	W	\$5714	6376	—	—	—	—
	M	\$9766	10431	—	—	—	—
	G	\$22359	24264	—	—	—	—
		NG	C2	C3	CM	CN	CP
ET555V S	L	\$5007	5673	—	—	—	—
	C	\$5647	6311	—	—	—	—
	W	\$6226	6890	—	—	—	—
	G	\$21636	23557	—	—	—	—

		CR	CA	CB	CD	CE	
ET555V S	L	\$5340	6003	—	—	—	
	C	\$5980	6643	—	—	—	
	W	\$6556	7221	—	—	—	
	G	\$23455	25275	—	—	—	
		NG	C2	C3	CM	CN	CP
ET556V S	L	\$5067	5731	—	—	—	
	C	\$5821	6485	—	—	—	
	W	\$6471	7134	—	—	—	
	G	\$22934	24857	—	—	—	
		CR	CA	CB	CD	CE	
ET556V S	L	\$5400	6063	—	—	—	
	C	\$6153	6816	—	—	—	
	W	\$6804	7467	—	—	—	
	G	\$24655	26577	—	—	—	
		NG	C2	C3	CM	CN	CP
ET557V S	L	\$6504	7168	—	—	—	
	C	\$7215	7880	—	—	—	
	W	\$7975	8637	—	—	—	
	G	\$25536	27456	—	—	—	
		CR	CA	CB	CD	CE	
ET557V S	L	\$6838	7500	—	—	—	
	C	\$7549	8213	—	—	—	
	W	\$8307	8971	—	—	—	
	G	\$27255	29173	—	—	—	
		NG	C2	C3	CM	CN	CP
ET558V S	L	\$7347	8010	—	8010	—	—
	C	\$8198	8863	—	8863	—	—
	W	\$9062	9730	—	9730	—	—
	G	\$29173	31081	—	31153	—	—
		CR	CA	CB	CD	CE	
ET558V S	L	—	—	\$8674	—	—	
	C	—	—	\$9527	—	—	
	W	—	—	\$10393	—	—	
	G	—	—	\$33074	—	—	
		NG	C2	C3	CM	CN	CP
ET560V S	L	\$7923	8587	—	8587	—	—
	C	\$8801	9465	—	9465	—	—
	W	\$9811	10475	—	10475	—	—

Eames® Tables

Eames® Standing Height Table,  
Oval *continued*

Eames® Tables

		CR	CA	CB	CD	CE
ET560V S	L	—	—	\$9251	—	—
	C	—	—	-\$10130	—	—
	W	—	—	-\$11138	—	—

		NG	C2	C3	CM	CN	CP
ET561V S	L	\$8572	9238	—	9238	—	—
	C	\$9483	10148	—	10148	—	—
	W	\$10602	11267	—	11267	—	—

		CR	CA	CB	CD	CE
ET561V S	L	—	—	\$9900	—	—
	C	—	—	-\$10811	—	—
	W	—	—	-\$11930	—	—

		NG	C2	C3	CM	CN	CP
ET562V S	L	\$9349	10015	—	10015	—	—
	C	\$10402	11068	—	11068	—	—
	W	\$11631	12295	—	12295	—	—

		CR	CA	CB	CD	CE
ET562V S	L	—	—	-\$10679	—	—
	C	—	—	-\$11733	—	—
	W	—	—	-\$12958	—	—

		NG	C2	C3	CM	CN	CP
ET564V S	L	\$10423	11085	—	—	—	11419
	C	\$11725	12390	—	—	—	12723
	W	\$13099	13763	—	—	—	14094

		CR	CA	CB	CD	CE
ET564V S	L	—	—	—	—	12085
	C	—	—	—	—	13386
	W	—	—	—	—	14758

		NG	C2	C3	CM	CN	CP
ET566V S	L	\$11566	—	12561	—	12895	—
	C	\$12915	—	13912	—	14242	—
	W	\$14431	—	15427	—	15759	—

		CR	CA	CB	CD	CE
ET566V S	L	—	—	—	—	-\$13888
	C	—	—	—	—	-\$15238
	W	—	—	—	—	-\$16754

		NG	C2	C3	CM	CN	CP
ET568V S	L	\$12685	—	13679	—	14011	—
	C	\$14087	—	15084	—	15415	—
	W	\$15748	—	16745	—	17077	—

		CR	CA	CB	CD	CE
ET568V S	L	—	—	—	—	-\$15009
	C	—	—	—	—	-\$16414
	W	—	—	—	—	-\$18072

		NG	C2	C3	CM	CN	CP
ET570V S	L	\$13771	—	14769	—	15099	—
	C	\$15434	—	16431	—	16764	—
	W	\$17240	—	18238	—	18568	—

		CR	CA	CB	CD	CE
ET570V S	L	—	—	—	—	-\$16095
	C	—	—	—	—	-\$17759
	W	—	—	—	—	-\$19566

		NG	C2	C3	CM	CN	CP
ET571V S	L	\$13724	14387	—	14387	—	—
	C	\$16612	17275	—	17275	—	—
	W	\$17623	18286	—	18286	—	—
	G	\$36151	38059	—	38128	—	—

		CR	CA	CB	CD	CE
ET571V S	L	—	—	—	—	-\$15052
	C	—	—	—	—	-\$17939
	W	—	—	—	—	-\$18949
	G	—	—	—	—	-\$40050

		NG	C2	C3	CM	CN	CP
ET572V S	L	\$14298	14962	—	14962	—	—
	C	\$17479	18142	—	18142	—	—
	W	\$18631	19299	—	19299	—	—

		CR	CA	CB	CD	CE
ET572V S	L	—	—	—	—	-\$15627
	C	—	—	—	—	-\$18806
	W	—	—	—	—	-\$19962

		NG	C2	C3	CM	CN	CP
ET573V S	L	\$14732	15397	—	15397	—	—
	C	\$18201	18864	—	18864	—	—
	W	\$19464	20127	—	20127	—	—

Eames® Standing Height Table,  
Oval *continued*

		CR	CA	CB	CD	CE
ET573V S	L	—	-\$16059	—	—	—
	C	—	-\$19528	—	—	—
	W	—	-\$20791	—	—	—

		NG	C2	C3	CM	CN	CP
ET574V S	L	\$15309	15976	—	15976	—	—
	C	\$19066	19730	—	19730	—	—
	W	\$20439	21103	—	21103	—	—

		CR	CA	CB	CD	CE
ET574V S	L	—	-\$16638	—	—	—
	C	—	-\$20393	—	—	—
	W	—	-\$21766	—	—	—

		NG	C2	C3	CM	CN	CP
ET575V S	L	\$18201	18864	—	—	—	19197
	C	\$25421	26084	—	—	—	26417
	W	\$26938	27602	—	—	—	27933

		CR	CA	CB	CD	CE
ET575V S	L	—	—	—	—	19859
	C	—	—	—	—	27082
	W	—	—	—	—	28598

		NG	C2	C3	CM	CN	CP
ET576V S	L	\$22099	—	23096	—	23427	—
	C	\$31632	—	32627	—	32958	—
	W	\$33291	—	34286	—	34620	—

		CR	CA	CB	CD	CE
ET576V S	L	—	—	—	-\$24424	—
	C	—	—	—	-\$33957	—
	W	—	—	—	-\$35617	—

		NG	C2	C3	CM	CN	CP
ET577V S	L	\$23976	—	24972	—	25307	—
	C	\$33651	—	34650	—	34980	—
	W	\$35457	—	36452	—	36786	—

		CR	CA	CB	CD	CE
ET577V S	L	—	—	—	-\$26302	—
	C	—	—	—	-\$35977	—
	W	—	—	—	-\$37783	—

		NG	C2	C3	CM	CN	CP
ET578V S	L	\$24409	—	25405	—	25738	—
	C	\$34950	—	35946	—	36279	—
	W	\$36902	—	37896	—	38230	—

		CR	CA	CB	CD	CE
ET578V S	L	—	—	—	-\$26735	—
	C	—	—	—	-\$37277	—
	W	—	—	—	-\$39226	—

Step 7.

Top Finish: Finish  
For back-painted glass top (G)

<b>8Q</b>	folkstone grey	+\$0
<b>91</b>	white	+\$0
<b>BK</b>	black	+\$0
<b>WN</b>	warm grey neutral	+\$0

Top Finish: Finish  
For thin profile HPL top with black edge (M)

<b>91</b>	white	+\$0
<b>G1</b>	graphite	+\$0
<b>BK</b>	black	+\$0

Top Finish: Solid-Color Laminate  
For high-pressure laminate top with vinyl edge (L)

<b>8Q</b>	folkstone grey	+\$0
<b>91</b>	white	+\$0
<b>98</b>	studio white	+\$0
<b>BKM</b>	black matte	+\$0
<b>CL</b>	cool grey neutral	+\$0
<b>HF</b>	inner tone light	+\$0
<b>LT</b>	light tone	+\$0
<b>LU</b>	soft white	+\$0
<b>WL</b>	sandstone	+\$0
<b>WN</b>	warm grey neutral	+\$0

Eames® Standing Height Table,  
Oval *continued*

Eames® Tables

Top Finish: Wood Veneer		
<i>For 30" deep x 60" wide (87V) with veneer top with vinyl edge (C)</i>		
<b>2U</b>	light brown walnut	+\$250
<b>40</b>	dark brown walnut	+\$250
<b>9N</b>	santos palisander	+\$950
<b>A2</b>	white ash	+\$250
<b>CHD</b>	noble cherry	+\$250
<b>EN</b>	ebony	+\$250
<b>OU</b>	walnut	+\$250
<b>UL</b>	natural maple	+\$250
<b>WHN</b>	natural white oak	+\$0

Top Finish: Wood Veneer		
<i>For 30" deep x 72" wide (88V) with veneer top with vinyl edge (C)</i>		
<b>2U</b>	light brown walnut	+\$265
<b>40</b>	dark brown walnut	+\$265
<b>9N</b>	santos palisander	+\$1009
<b>A2</b>	white ash	+\$265
<b>CHD</b>	noble cherry	+\$265
<b>EN</b>	ebony	+\$265
<b>OU</b>	walnut	+\$265
<b>UL</b>	natural maple	+\$265
<b>WHN</b>	natural white oak	+\$0

Top Finish: Wood Veneer		
<i>For 36" deep x 60" wide (49V) with veneer top with vinyl edge (C)</i>		
<b>2U</b>	light brown walnut	+\$265
<b>40</b>	dark brown walnut	+\$265
<b>9N</b>	santos palisander	+\$1009
<b>A2</b>	white ash	+\$265
<b>CHD</b>	noble cherry	+\$265
<b>EN</b>	ebony	+\$265
<b>OU</b>	walnut	+\$265
<b>UL</b>	natural maple	+\$265
<b>WHN</b>	natural white oak	+\$0

Top Finish: Wood Veneer		
<i>For 36" deep x 72" wide (43V) with veneer top with vinyl edge (C)</i>		
<b>2U</b>	light brown walnut	+\$290
<b>40</b>	dark brown walnut	+\$290
<b>9N</b>	santos palisander	+\$1104
<b>A2</b>	white ash	+\$290
<b>CHD</b>	noble cherry	+\$290
<b>EN</b>	ebony	+\$290
<b>OU</b>	walnut	+\$290
<b>UL</b>	natural maple	+\$290
<b>WHN</b>	natural white oak	+\$0

Top Finish: Wood Veneer		
<i>For 36" deep x 84" wide (44V) with veneer top with vinyl edge (C)</i>		
<b>2U</b>	light brown walnut	+\$305
<b>40</b>	dark brown walnut	+\$305
<b>9N</b>	santos palisander	+\$1161
<b>A2</b>	white ash	+\$305
<b>CHD</b>	noble cherry	+\$305
<b>EN</b>	ebony	+\$305
<b>OU</b>	walnut	+\$305
<b>UL</b>	natural maple	+\$305
<b>WHN</b>	natural white oak	+\$0

Top Finish: Wood Veneer		
<i>For 36" deep x 96" wide (89V) with veneer top with vinyl edge (C)</i>		
<b>2U</b>	light brown walnut	+\$330
<b>40</b>	dark brown walnut	+\$330
<b>9N</b>	santos palisander	+\$1420
<b>A2</b>	white ash	+\$330
<b>CHD</b>	noble cherry	+\$330
<b>EN</b>	ebony	+\$330
<b>OU</b>	walnut	+\$330
<b>UL</b>	natural maple	+\$330
<b>WHN</b>	natural white oak	+\$0

Top Finish: Wood Veneer		
<i>For 42" deep x 66" wide (50V) with veneer top with vinyl edge (C)</i>		
<b>2U</b>	light brown walnut	+\$290
<b>40</b>	dark brown walnut	+\$290
<b>9N</b>	santos palisander	+\$1160
<b>A2</b>	white ash	+\$290
<b>CHD</b>	noble cherry	+\$290
<b>EN</b>	ebony	+\$290
<b>OU</b>	walnut	+\$290
<b>UL</b>	natural maple	+\$290
<b>WHN</b>	natural white oak	+\$0

Top Finish: Wood Veneer		
<i>For 42" deep x 72" wide (51V) with veneer top with vinyl edge (C)</i>		
<b>2U</b>	light brown walnut	+\$305
<b>40</b>	dark brown walnut	+\$305
<b>9N</b>	santos palisander	+\$1220
<b>A2</b>	white ash	+\$305
<b>CHD</b>	noble cherry	+\$305
<b>EN</b>	ebony	+\$305
<b>OU</b>	walnut	+\$305
<b>UL</b>	natural maple	+\$305
<b>WHN</b>	natural white oak	+\$0

Eames® Standing Height Table,  
Oval *continued*

Top Finish: Wood Veneer		
<i>For 42" deep x 78" wide (52V) with veneer top with vinyl edge (C)</i>		
<b>2U</b>	light brown walnut	+\$330
<b>40</b>	dark brown walnut	+\$330
<b>9N</b>	santos palisander	+\$1320
<b>A2</b>	white ash	+\$330
<b>CHD</b>	noble cherry	+\$330
<b>EN</b>	ebony	+\$330
<b>OU</b>	walnut	+\$330
<b>UL</b>	natural maple	+\$330
<b>WHN</b>	natural white oak	+\$0

Top Finish: Wood Veneer		
<i>For 42" deep x 84" wide (53V) with veneer top with vinyl edge (C)</i>		
<b>2U</b>	light brown walnut	+\$330
<b>40</b>	dark brown walnut	+\$330
<b>9N</b>	santos palisander	+\$1320
<b>A2</b>	white ash	+\$330
<b>CHD</b>	noble cherry	+\$330
<b>EN</b>	ebony	+\$330
<b>OU</b>	walnut	+\$330
<b>UL</b>	natural maple	+\$330
<b>WHN</b>	natural white oak	+\$0

Top Finish: Wood Veneer		
<i>For 48" deep x 84" wide (54V) with veneer top with vinyl edge (C)</i>		
<b>2U</b>	light brown walnut	+\$385
<b>40</b>	dark brown walnut	+\$385
<b>9N</b>	santos palisander	+\$1656
<b>A2</b>	white ash	+\$385
<b>CHD</b>	noble cherry	+\$385
<b>EN</b>	ebony	+\$385
<b>OU</b>	walnut	+\$385
<b>UL</b>	natural maple	+\$385
<b>WHN</b>	natural white oak	+\$0

Top Finish: Wood Veneer		
<i>For 48" deep x 96" wide (47V) with veneer top with vinyl edge (C)</i>		
<b>2U</b>	light brown walnut	+\$385
<b>40</b>	dark brown walnut	+\$385
<b>9N</b>	santos palisander	+\$1656
<b>A2</b>	white ash	+\$385
<b>CHD</b>	noble cherry	+\$385
<b>EN</b>	ebony	+\$385
<b>OU</b>	walnut	+\$385
<b>UL</b>	natural maple	+\$385
<b>WHN</b>	natural white oak	+\$0

Top Finish: Wood Veneer		
<i>For 54" deep x 90" wide (55V) with veneer top with vinyl edge (C)</i>		
<b>2U</b>	light brown walnut	+\$425
<b>40</b>	dark brown walnut	+\$425
<b>9N</b>	santos palisander	+\$1700
<b>A2</b>	white ash	+\$425
<b>CHD</b>	noble cherry	+\$425
<b>EN</b>	ebony	+\$425
<b>OU</b>	walnut	+\$425
<b>UL</b>	natural maple	+\$425
<b>WHN</b>	natural white oak	+\$0

Top Finish: Wood Veneer		
<i>For 54" deep x 96" wide (56V) with veneer top with vinyl edge (C)</i>		
<b>2U</b>	light brown walnut	+\$440
<b>40</b>	dark brown walnut	+\$440
<b>9N</b>	santos palisander	+\$1760
<b>A2</b>	white ash	+\$440
<b>CHD</b>	noble cherry	+\$440
<b>EN</b>	ebony	+\$440
<b>OU</b>	walnut	+\$440
<b>UL</b>	natural maple	+\$440
<b>WHN</b>	natural white oak	+\$0

Top Finish: Wood Veneer		
<i>For 54" deep x 108" wide (57V) with veneer top with vinyl edge (C)</i>		
<b>2U</b>	light brown walnut	+\$500
<b>40</b>	dark brown walnut	+\$500
<b>9N</b>	santos palisander	+\$2350
<b>A2</b>	white ash	+\$500
<b>CHD</b>	noble cherry	+\$500
<b>EN</b>	ebony	+\$500
<b>OU</b>	walnut	+\$500
<b>UL</b>	natural maple	+\$500
<b>WHN</b>	natural white oak	+\$0

Top Finish: Wood Veneer		
<i>For 54" deep x 120" wide (58V) with veneer top with vinyl edge (C)</i>		
<b>2U</b>	light brown walnut	+\$540
<b>40</b>	dark brown walnut	+\$540
<b>9N</b>	santos palisander	+\$2538
<b>A2</b>	white ash	+\$540
<b>CHD</b>	noble cherry	+\$540
<b>EN</b>	ebony	+\$540
<b>OU</b>	walnut	+\$540
<b>UL</b>	natural maple	+\$540
<b>WHN</b>	natural white oak	+\$0

Eames® Standing Height Table,  
Oval *continued*

Eames® Tables

Top Finish: Wood Veneer		
<i>For 54" deep x 144" wide (60V) with veneer top with vinyl edge (C)</i>		
<b>2U</b>	light brown walnut	+\$585
<b>40</b>	dark brown walnut	+\$585
<b>9N</b>	santos palisander	+\$2750
<b>A2</b>	white ash	+\$585
<b>CHD</b>	noble cherry	+\$585
<b>EN</b>	ebony	+\$585
<b>OU</b>	walnut	+\$585
<b>UL</b>	natural maple	+\$585
<b>WHN</b>	natural white oak	+\$0

Top Finish: Wood Veneer		
<i>For 54" deep x 156" wide (61V) with veneer top with vinyl edge (C)</i>		
<b>2U</b>	light brown walnut	+\$635
<b>40</b>	dark brown walnut	+\$635
<b>9N</b>	santos palisander	+\$3175
<b>A2</b>	white ash	+\$635
<b>CHD</b>	noble cherry	+\$635
<b>EN</b>	ebony	+\$635
<b>OU</b>	walnut	+\$635
<b>UL</b>	natural maple	+\$635
<b>WHN</b>	natural white oak	+\$0

Top Finish: Wood Veneer		
<i>For 54" deep x 168" wide (62V) with veneer top with vinyl edge (C)</i>		
<b>2U</b>	light brown walnut	+\$690
<b>40</b>	dark brown walnut	+\$690
<b>9N</b>	santos palisander	+\$3450
<b>A2</b>	white ash	+\$690
<b>CHD</b>	noble cherry	+\$690
<b>EN</b>	ebony	+\$690
<b>OU</b>	walnut	+\$690
<b>UL</b>	natural maple	+\$690
<b>WHN</b>	natural white oak	+\$0

Top Finish: Wood Veneer		
<i>For 54" deep x 192" wide (64V) with veneer top with vinyl edge (C)</i>		
<b>2U</b>	light brown walnut	+\$755
<b>40</b>	dark brown walnut	+\$755
<b>9N</b>	santos palisander	+\$3775
<b>A2</b>	white ash	+\$755
<b>CHD</b>	noble cherry	+\$755
<b>EN</b>	ebony	+\$755
<b>OU</b>	walnut	+\$755
<b>UL</b>	natural maple	+\$755
<b>WHN</b>	natural white oak	+\$0

Top Finish: Wood Veneer		
<i>For 54" deep x 216" wide (66V) with veneer top with vinyl edge (C)</i>		
<b>2U</b>	light brown walnut	+\$815
<b>40</b>	dark brown walnut	+\$815
<b>9N</b>	santos palisander	+\$4075
<b>A2</b>	white ash	+\$815
<b>CHD</b>	noble cherry	+\$815
<b>EN</b>	ebony	+\$815
<b>OU</b>	walnut	+\$815
<b>UL</b>	natural maple	+\$815
<b>WHN</b>	natural white oak	+\$0

Top Finish: Wood Veneer		
<i>For 54" deep x 240" wide (68V) with veneer top with vinyl edge (C)</i>		
<b>2U</b>	light brown walnut	+\$880
<b>40</b>	dark brown walnut	+\$880
<b>9N</b>	santos palisander	+\$4400
<b>A2</b>	white ash	+\$880
<b>CHD</b>	noble cherry	+\$880
<b>EN</b>	ebony	+\$880
<b>OU</b>	walnut	+\$880
<b>UL</b>	natural maple	+\$880
<b>WHN</b>	natural white oak	+\$0

Top Finish: Wood Veneer		
<i>For 54" deep x 264" wide (70V) with veneer top with vinyl edge (C)</i>		
<b>2U</b>	light brown walnut	+\$950
<b>40</b>	dark brown walnut	+\$950
<b>9N</b>	santos palisander	+\$5320
<b>A2</b>	white ash	+\$950
<b>CHD</b>	noble cherry	+\$950
<b>EN</b>	ebony	+\$950
<b>OU</b>	walnut	+\$950
<b>UL</b>	natural maple	+\$950
<b>WHN</b>	natural white oak	+\$0

Top Finish: Wood Veneer		
<i>For 60" deep x 120" wide (71V) with veneer top with vinyl edge (C)</i>		
<b>2U</b>	light brown walnut	+\$680
<b>40</b>	dark brown walnut	+\$680
<b>9N</b>	santos palisander	+\$3180
<b>A2</b>	white ash	+\$680
<b>CHD</b>	noble cherry	+\$680
<b>EN</b>	ebony	+\$680
<b>OU</b>	walnut	+\$680
<b>UL</b>	natural maple	+\$680
<b>WHN</b>	natural white oak	+\$0

Eames® Standing Height Table,  
Oval *continued*

Top Finish: Wood Veneer		
<i>For 60" deep x 144" wide (72V) with veneer top with vinyl edge (C)</i>		
<b>2U</b>	light brown walnut	+\$740
<b>40</b>	dark brown walnut	+\$740
<b>9N</b>	santos palisander	+\$3440
<b>A2</b>	white ash	+\$740
<b>CHD</b>	noble cherry	+\$740
<b>EN</b>	ebony	+\$740
<b>OU</b>	walnut	+\$740
<b>UL</b>	natural maple	+\$740
<b>WHN</b>	natural white oak	+\$0

Top Finish: Wood Veneer		
<i>For 60" deep x 156" wide (73V) with veneer top with vinyl edge (C)</i>		
<b>2U</b>	light brown walnut	+\$800
<b>40</b>	dark brown walnut	+\$800
<b>9N</b>	santos palisander	+\$3970
<b>A2</b>	white ash	+\$800
<b>CHD</b>	noble cherry	+\$800
<b>EN</b>	ebony	+\$800
<b>OU</b>	walnut	+\$800
<b>UL</b>	natural maple	+\$800
<b>WHN</b>	natural white oak	+\$0

Top Finish: Wood Veneer		
<i>For 60" deep x 168" wide (74V) with veneer top with vinyl edge (C)</i>		
<b>2U</b>	light brown walnut	+\$870
<b>40</b>	dark brown walnut	+\$870
<b>9N</b>	santos palisander	+\$4320
<b>A2</b>	white ash	+\$870
<b>CHD</b>	noble cherry	+\$870
<b>EN</b>	ebony	+\$870
<b>OU</b>	walnut	+\$870
<b>UL</b>	natural maple	+\$870
<b>WHN</b>	natural white oak	+\$0

Top Finish: Wood Veneer		
<i>For 60" deep x 192" wide (75V) with veneer top with vinyl edge (C)</i>		
<b>2U</b>	light brown walnut	+\$950
<b>40</b>	dark brown walnut	+\$950
<b>9N</b>	santos palisander	+\$4720
<b>A2</b>	white ash	+\$950
<b>CHD</b>	noble cherry	+\$950
<b>EN</b>	ebony	+\$950
<b>OU</b>	walnut	+\$950
<b>UL</b>	natural maple	+\$950
<b>WHN</b>	natural white oak	+\$0

Top Finish: Wood Veneer		
<i>For 60" deep x 216" wide (76V) with veneer top with vinyl edge (C)</i>		
<b>2U</b>	light brown walnut	+\$1020
<b>40</b>	dark brown walnut	+\$1020
<b>9N</b>	santos palisander	+\$5100
<b>A2</b>	white ash	+\$1020
<b>CHD</b>	noble cherry	+\$1020
<b>EN</b>	ebony	+\$1020
<b>OU</b>	walnut	+\$1020
<b>UL</b>	natural maple	+\$1020
<b>WHN</b>	natural white oak	+\$0

Top Finish: Wood Veneer		
<i>For 60" deep x 240" wide (77V) with veneer top with vinyl edge (C)</i>		
<b>2U</b>	light brown walnut	+\$1100
<b>40</b>	dark brown walnut	+\$1100
<b>9N</b>	santos palisander	+\$5500
<b>A2</b>	white ash	+\$1100
<b>CHD</b>	noble cherry	+\$1100
<b>EN</b>	ebony	+\$1100
<b>OU</b>	walnut	+\$1100
<b>UL</b>	natural maple	+\$1100
<b>WHN</b>	natural white oak	+\$0

Top Finish: Wood Veneer		
<i>For 60" deep x 264" wide (78V) with veneer top with vinyl edge (C)</i>		
<b>2U</b>	light brown walnut	+\$1190
<b>40</b>	dark brown walnut	+\$1190
<b>9N</b>	santos palisander	+\$6650
<b>A2</b>	white ash	+\$1190
<b>CHD</b>	noble cherry	+\$1190
<b>EN</b>	ebony	+\$1190
<b>OU</b>	walnut	+\$1190
<b>UL</b>	natural maple	+\$1190
<b>WHN</b>	natural white oak	+\$0

Top/Edge Finish		
<i>For 30" deep x 60" wide (87V) with veneer top with veneer edge (W)</i>		
<b>2U</b>	light brown walnut	+\$250
<b>40</b>	dark brown walnut	+\$250
<b>9N</b>	santos palisander	+\$950
<b>A2</b>	white ash	+\$250
<b>CHD</b>	noble cherry	+\$250
<b>EN</b>	ebony	+\$250
<b>OU</b>	walnut	+\$250
<b>UL</b>	natural maple	+\$250
<b>WHN</b>	natural white oak	+\$0

Eames® Standing Height Table,  
Oval *continued*

Eames® Tables

Top/Edge Finish		
<i>For 30" deep x 72" wide (88V) with veneer top with veneer edge (W)</i>		
<b>2U</b>	light brown walnut	+\$265
<b>40</b>	dark brown walnut	+\$265
<b>9N</b>	santos palisander	+\$1009
<b>A2</b>	white ash	+\$265
<b>CHD</b>	noble cherry	+\$265
<b>EN</b>	ebony	+\$265
<b>OU</b>	walnut	+\$265
<b>UL</b>	natural maple	+\$265
<b>WHN</b>	natural white oak	+\$0

Top/Edge Finish		
<i>For 36" deep x 60" wide (49V) with veneer top with veneer edge (W)</i>		
<b>2U</b>	light brown walnut	+\$265
<b>40</b>	dark brown walnut	+\$265
<b>9N</b>	santos palisander	+\$1009
<b>A2</b>	white ash	+\$265
<b>CHD</b>	noble cherry	+\$265
<b>EN</b>	ebony	+\$265
<b>OU</b>	walnut	+\$265
<b>UL</b>	natural maple	+\$265
<b>WHN</b>	natural white oak	+\$0

Top/Edge Finish		
<i>For 36" deep x 72" wide (43V) with veneer top with veneer edge (W)</i>		
<b>2U</b>	light brown walnut	+\$290
<b>40</b>	dark brown walnut	+\$290
<b>9N</b>	santos palisander	+\$1104
<b>A2</b>	white ash	+\$290
<b>CHD</b>	noble cherry	+\$290
<b>EN</b>	ebony	+\$290
<b>OU</b>	walnut	+\$290
<b>UL</b>	natural maple	+\$290
<b>WHN</b>	natural white oak	+\$0

Top/Edge Finish		
<i>For 36" deep x 84" wide (44V) with veneer top with veneer edge (W)</i>		
<b>2U</b>	light brown walnut	+\$305
<b>40</b>	dark brown walnut	+\$305
<b>9N</b>	santos palisander	+\$1161
<b>A2</b>	white ash	+\$305
<b>CHD</b>	noble cherry	+\$305
<b>EN</b>	ebony	+\$305
<b>OU</b>	walnut	+\$305
<b>UL</b>	natural maple	+\$305
<b>WHN</b>	natural white oak	+\$0

Top/Edge Finish		
<i>For 36" deep x 96" wide (89V) with veneer top with veneer edge (W)</i>		
<b>2U</b>	light brown walnut	+\$330
<b>40</b>	dark brown walnut	+\$330
<b>9N</b>	santos palisander	+\$1420
<b>A2</b>	white ash	+\$330
<b>CHD</b>	noble cherry	+\$330
<b>EN</b>	ebony	+\$330
<b>OU</b>	walnut	+\$330
<b>UL</b>	natural maple	+\$330
<b>WHN</b>	natural white oak	+\$0

Top/Edge Finish		
<i>For 42" deep x 66" wide (50V) with veneer top with veneer edge (W)</i>		
<b>2U</b>	light brown walnut	+\$290
<b>40</b>	dark brown walnut	+\$290
<b>9N</b>	santos palisander	+\$1160
<b>A2</b>	white ash	+\$290
<b>CHD</b>	noble cherry	+\$290
<b>EN</b>	ebony	+\$290
<b>OU</b>	walnut	+\$290
<b>UL</b>	natural maple	+\$290
<b>WHN</b>	natural white oak	+\$0

Top/Edge Finish		
<i>For 42" deep x 72" wide (51V) with veneer top with veneer edge (W)</i>		
<b>2U</b>	light brown walnut	+\$305
<b>40</b>	dark brown walnut	+\$305
<b>9N</b>	santos palisander	+\$1220
<b>A2</b>	white ash	+\$305
<b>CHD</b>	noble cherry	+\$305
<b>EN</b>	ebony	+\$305
<b>OU</b>	walnut	+\$305
<b>UL</b>	natural maple	+\$305
<b>WHN</b>	natural white oak	+\$0

Top/Edge Finish		
<i>For 42" deep x 78" wide (52V) with veneer top with veneer edge (W)</i>		
<b>2U</b>	light brown walnut	+\$330
<b>40</b>	dark brown walnut	+\$330
<b>9N</b>	santos palisander	+\$1320
<b>A2</b>	white ash	+\$330
<b>CHD</b>	noble cherry	+\$330
<b>EN</b>	ebony	+\$330
<b>OU</b>	walnut	+\$330
<b>UL</b>	natural maple	+\$330
<b>WHN</b>	natural white oak	+\$0



Eames® Standing Height Table,  
Oval *continued*

Top/Edge Finish		
<i>For 42" deep x 84" wide (53V) with veneer top with veneer edge (W)</i>		
<b>2U</b>	light brown walnut	+\$330
<b>40</b>	dark brown walnut	+\$330
<b>9N</b>	santos palisander	+\$1320
<b>A2</b>	white ash	+\$330
<b>CHD</b>	noble cherry	+\$330
<b>EN</b>	ebony	+\$330
<b>OU</b>	walnut	+\$330
<b>UL</b>	natural maple	+\$330
<b>WHN</b>	natural white oak	+\$0

Top/Edge Finish		
<i>For 48" deep x 84" wide (54V) with veneer top with veneer edge (W)</i>		
<b>2U</b>	light brown walnut	+\$385
<b>40</b>	dark brown walnut	+\$385
<b>9N</b>	santos palisander	+\$1656
<b>A2</b>	white ash	+\$385
<b>CHD</b>	noble cherry	+\$385
<b>EN</b>	ebony	+\$385
<b>OU</b>	walnut	+\$385
<b>UL</b>	natural maple	+\$385
<b>WHN</b>	natural white oak	+\$0

Top/Edge Finish		
<i>For 48" deep x 96" wide (47V) with veneer top with veneer edge (W)</i>		
<b>2U</b>	light brown walnut	+\$385
<b>40</b>	dark brown walnut	+\$385
<b>9N</b>	santos palisander	+\$1656
<b>A2</b>	white ash	+\$385
<b>CHD</b>	noble cherry	+\$385
<b>EN</b>	ebony	+\$385
<b>OU</b>	walnut	+\$385
<b>UL</b>	natural maple	+\$385
<b>WHN</b>	natural white oak	+\$0

Top/Edge Finish		
<i>For 54" deep x 90" wide (55V) with veneer top with veneer edge (W)</i>		
<b>2U</b>	light brown walnut	+\$425
<b>40</b>	dark brown walnut	+\$425
<b>9N</b>	santos palisander	+\$1700
<b>A2</b>	white ash	+\$425
<b>CHD</b>	noble cherry	+\$425
<b>EN</b>	ebony	+\$425
<b>OU</b>	walnut	+\$425
<b>UL</b>	natural maple	+\$425
<b>WHN</b>	natural white oak	+\$0

Top/Edge Finish		
<i>For 54" deep x 96" wide (56V) with veneer top with veneer edge (W)</i>		
<b>CHD</b>	noble cherry	+\$440
<b>WHN</b>	natural white oak	+\$0
<b>2U</b>	light brown walnut	+\$440
<b>A2</b>	white ash	+\$440
<b>40</b>	dark brown walnut	+\$440
<b>EN</b>	ebony	+\$440
<b>OU</b>	walnut	+\$440
<b>UL</b>	natural maple	+\$440
<b>9N</b>	santos palisander	+\$1760

Top/Edge Finish		
<i>For 54" deep x 108" wide (57V) with veneer top with veneer edge (W)</i>		
<b>2U</b>	light brown walnut	+\$500
<b>40</b>	dark brown walnut	+\$500
<b>9N</b>	santos palisander	+\$2350
<b>A2</b>	white ash	+\$500
<b>CHD</b>	noble cherry	+\$500
<b>EN</b>	ebony	+\$500
<b>OU</b>	walnut	+\$500
<b>UL</b>	natural maple	+\$500
<b>WHN</b>	natural white oak	+\$0

Top/Edge Finish		
<i>For 54" deep x 120" wide (58V) with veneer top with veneer edge (W)</i>		
<b>2U</b>	light brown walnut	+\$540
<b>40</b>	dark brown walnut	+\$540
<b>9N</b>	santos palisander	+\$2538
<b>A2</b>	white ash	+\$540
<b>CHD</b>	noble cherry	+\$540
<b>EN</b>	ebony	+\$540
<b>OU</b>	walnut	+\$540
<b>UL</b>	natural maple	+\$540
<b>WHN</b>	natural white oak	+\$0

Top/Edge Finish		
<i>For 54" deep x 144" wide (60V) with veneer top with veneer edge (W)</i>		
<b>2U</b>	light brown walnut	+\$585
<b>40</b>	dark brown walnut	+\$585
<b>9N</b>	santos palisander	+\$2750
<b>A2</b>	white ash	+\$585
<b>CHD</b>	noble cherry	+\$585
<b>EN</b>	ebony	+\$585
<b>OU</b>	walnut	+\$585
<b>UL</b>	natural maple	+\$585
<b>WHN</b>	natural white oak	+\$0

# Eames® Standing Height Table, Oval *continued*

Eames® Tables

Top/Edge Finish		
<i>For 54" deep x 156" wide (61V) with veneer top with veneer edge (W)</i>		
<b>2U</b>	light brown walnut	+\$635
<b>40</b>	dark brown walnut	+\$635
<b>9N</b>	santos palisander	+\$3175
<b>A2</b>	white ash	+\$635
<b>CHD</b>	noble cherry	+\$635
<b>EN</b>	ebony	+\$635
<b>OU</b>	walnut	+\$635
<b>UL</b>	natural maple	+\$635
<b>WHN</b>	natural white oak	+\$0

Top/Edge Finish		
<i>For 54" deep x 168" wide (62V) with veneer top with veneer edge (W)</i>		
<b>2U</b>	light brown walnut	+\$690
<b>40</b>	dark brown walnut	+\$690
<b>9N</b>	santos palisander	+\$3450
<b>A2</b>	white ash	+\$690
<b>CHD</b>	noble cherry	+\$690
<b>EN</b>	ebony	+\$690
<b>OU</b>	walnut	+\$690
<b>UL</b>	natural maple	+\$690
<b>WHN</b>	natural white oak	+\$0

Top/Edge Finish		
<i>For 54" deep x 192" wide (64V) with veneer top with veneer edge (W)</i>		
<b>2U</b>	light brown walnut	+\$755
<b>40</b>	dark brown walnut	+\$755
<b>9N</b>	santos palisander	+\$3775
<b>A2</b>	white ash	+\$755
<b>CHD</b>	noble cherry	+\$755
<b>EN</b>	ebony	+\$755
<b>OU</b>	walnut	+\$755
<b>UL</b>	natural maple	+\$755
<b>WHN</b>	natural white oak	+\$0

Top/Edge Finish		
<i>For 54" deep x 216" wide (66V) with veneer top with veneer edge (W)</i>		
<b>2U</b>	light brown walnut	+\$815
<b>40</b>	dark brown walnut	+\$815
<b>9N</b>	santos palisander	+\$4075
<b>A2</b>	white ash	+\$815
<b>CHD</b>	noble cherry	+\$815
<b>EN</b>	ebony	+\$815
<b>OU</b>	walnut	+\$815
<b>UL</b>	natural maple	+\$815
<b>WHN</b>	natural white oak	+\$0

Top/Edge Finish		
<i>For 54" deep x 240" wide (68V) with veneer top with veneer edge (W)</i>		
<b>2U</b>	light brown walnut	+\$880
<b>40</b>	dark brown walnut	+\$880
<b>9N</b>	santos palisander	+\$4400
<b>A2</b>	white ash	+\$880
<b>CHD</b>	noble cherry	+\$880
<b>EN</b>	ebony	+\$880
<b>OU</b>	walnut	+\$880
<b>UL</b>	natural maple	+\$880
<b>WHN</b>	natural white oak	+\$0

Top/Edge Finish		
<i>For 54" deep x 264" wide (70V) with veneer top with veneer edge (W)</i>		
<b>2U</b>	light brown walnut	+\$950
<b>40</b>	dark brown walnut	+\$950
<b>9N</b>	santos palisander	+\$5320
<b>A2</b>	white ash	+\$950
<b>CHD</b>	noble cherry	+\$950
<b>EN</b>	ebony	+\$950
<b>OU</b>	walnut	+\$950
<b>UL</b>	natural maple	+\$950
<b>WHN</b>	natural white oak	+\$0

Top/Edge Finish		
<i>For 60" deep x 120" wide (71V) with veneer top with veneer edge (W)</i>		
<b>2U</b>	light brown walnut	+\$680
<b>40</b>	dark brown walnut	+\$680
<b>9N</b>	santos palisander	+\$3180
<b>A2</b>	white ash	+\$680
<b>CHD</b>	noble cherry	+\$680
<b>EN</b>	ebony	+\$680
<b>OU</b>	walnut	+\$680
<b>UL</b>	natural maple	+\$680
<b>WHN</b>	natural white oak	+\$0

Top/Edge Finish		
<i>For 60" deep x 144" wide (72V) with veneer top with veneer edge (W)</i>		
<b>2U</b>	light brown walnut	+\$740
<b>40</b>	dark brown walnut	+\$740
<b>9N</b>	santos palisander	+\$3440
<b>A2</b>	white ash	+\$740
<b>CHD</b>	noble cherry	+\$740
<b>EN</b>	ebony	+\$740
<b>OU</b>	walnut	+\$740
<b>UL</b>	natural maple	+\$740
<b>WHN</b>	natural white oak	+\$0

Eames® Standing Height Table,  
Oval *continued*

Top/Edge Finish		
<i>For 60" deep x 156" wide (73V) with veneer top with veneer edge (W)</i>		
<b>2U</b>	light brown walnut	+\$800
<b>40</b>	dark brown walnut	+\$800
<b>9N</b>	santos palisander	+\$3970
<b>A2</b>	white ash	+\$800
<b>CHD</b>	noble cherry	+\$800
<b>EN</b>	ebony	+\$800
<b>OU</b>	walnut	+\$800
<b>UL</b>	natural maple	+\$800
<b>WHN</b>	natural white oak	+\$0

Top/Edge Finish		
<i>For 60" deep x 168" wide (74V) with veneer top with veneer edge (W)</i>		
<b>2U</b>	light brown walnut	+\$870
<b>40</b>	dark brown walnut	+\$870
<b>9N</b>	santos palisander	+\$4320
<b>A2</b>	white ash	+\$870
<b>CHD</b>	noble cherry	+\$870
<b>EN</b>	ebony	+\$870
<b>OU</b>	walnut	+\$870
<b>UL</b>	natural maple	+\$870
<b>WHN</b>	natural white oak	+\$0

Top/Edge Finish		
<i>For 60" deep x 192" wide (75V) with veneer top with veneer edge (W)</i>		
<b>2U</b>	light brown walnut	+\$950
<b>40</b>	dark brown walnut	+\$950
<b>9N</b>	santos palisander	+\$4720
<b>A2</b>	white ash	+\$950
<b>CHD</b>	noble cherry	+\$950
<b>EN</b>	ebony	+\$950
<b>OU</b>	walnut	+\$950
<b>UL</b>	natural maple	+\$950
<b>WHN</b>	natural white oak	+\$0

Top/Edge Finish		
<i>For 60" deep x 216" wide (76V) with veneer top with veneer edge (W)</i>		
<b>2U</b>	light brown walnut	+\$1020
<b>40</b>	dark brown walnut	+\$1020
<b>9N</b>	santos palisander	+\$5100
<b>A2</b>	white ash	+\$1020
<b>CHD</b>	noble cherry	+\$1020
<b>EN</b>	ebony	+\$1020
<b>OU</b>	walnut	+\$1020
<b>UL</b>	natural maple	+\$1020
<b>WHN</b>	natural white oak	+\$0

Top/Edge Finish		
<i>For 60" deep x 240" wide (77V) with veneer top with veneer edge (W)</i>		
<b>2U</b>	light brown walnut	+\$1100
<b>40</b>	dark brown walnut	+\$1100
<b>9N</b>	santos palisander	+\$5500
<b>A2</b>	white ash	+\$1100
<b>CHD</b>	noble cherry	+\$1100
<b>EN</b>	ebony	+\$1100
<b>OU</b>	walnut	+\$1100
<b>UL</b>	natural maple	+\$1100
<b>WHN</b>	natural white oak	+\$0

Top/Edge Finish		
<i>For 60" deep x 264" wide (78V) with veneer top with veneer edge (W)</i>		
<b>2U</b>	light brown walnut	+\$1190
<b>40</b>	dark brown walnut	+\$1190
<b>9N</b>	santos palisander	+\$6650
<b>A2</b>	white ash	+\$1190
<b>CHD</b>	noble cherry	+\$1190
<b>EN</b>	ebony	+\$1190
<b>OU</b>	walnut	+\$1190
<b>UL</b>	natural maple	+\$1190
<b>WHN</b>	natural white oak	+\$0

Step 8. Edge Finish		
<i>For high-pressure laminate top with vinyl edge (L) or veneer top with vinyl edge (C)</i>		
<b>8Q</b>	folkstone grey	+\$0
<b>91</b>	white	+\$0
<b>98</b>	studio white	+\$0
<b>BK</b>	black	+\$0
<b>BU</b>	black umber	+\$0
<b>CL</b>	cool grey neutral	+\$0
<b>HF</b>	inner tone light	+\$0
<b>LT</b>	light tone	+\$0
<b>LU</b>	soft white	+\$0
<b>SG</b>	slate grey	+\$0
<b>WL</b>	sandstone	+\$0
<b>WN</b>	warm grey neutral	+\$0

Step 9. Grommet Finish		
<i>For 2 round cutouts, over columns (C2) or 3 round cutouts, over columns (C3)</i>		
<b>91</b>	white	+\$0
<b>BK</b>	black	+\$0
<b>PA</b>	polished aluminum	+\$0

# Eames® Standing Height Table, Oval *continued*

Eames® Tables

*For single centered oval cutout (CR) or 2 round cutouts and center oval cutout (CA)*

<b>91</b>	white	+\$0
<b>BK</b>	black	+\$0
<b>PA</b>	polished aluminum	+\$150

*For 2 oval cutouts (CM) or 2 round cutouts and 2 oval cutouts (CB)*

<b>91</b>	white	+\$0
<b>BK</b>	black	+\$0
<b>PA</b>	polished aluminum	+\$300

*For 3 oval cutouts (CP) or 2 round cutouts and 3 oval cutouts (CE)*

<b>91</b>	white	+\$0
<b>BK</b>	black	+\$0
<b>PA</b>	polished aluminum	+\$450

*For 4 oval cutouts (CN) or 3 round cutouts and 4 oval cutouts (CD)*

<b>91</b>	white	+\$0
<b>BK</b>	black	+\$0
<b>PA</b>	polished aluminum	+\$0
<b>PA</b>	polished aluminum	+\$600

**Step 10. Column Finish**

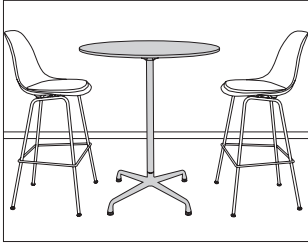
<b>91</b>	white	+\$0
<b>BK</b>	black	+\$0
<b>BU</b>	black umber	+\$0
<b>CL</b>	cool grey neutral	+\$0
<b>G2</b>	graphite satin	+\$0
<b>HF</b>	inner tone light	+\$0
<b>LT</b>	light tone	+\$0
<b>LU</b>	soft white	+\$0
<b>MT</b>	medium tone	+\$0
<b>SG</b>	slate grey	+\$0
<b>WN</b>	warm grey neutral	+\$0
<b>CN</b>	metallic champagne	+\$0
<b>EH</b>	metallic bronze	+\$0
<b>MS</b>	metallic silver	+\$0

**Step 11. Base Finish**

<b>91</b>	white	+\$0
<b>BK</b>	black	+\$0
<b>BU</b>	black umber	+\$0
<b>CL</b>	cool grey neutral	+\$0
<b>G2</b>	graphite satin	+\$0
<b>HF</b>	inner tone light	+\$0
<b>LT</b>	light tone	+\$0
<b>LU</b>	soft white	+\$0
<b>MT</b>	medium tone	+\$0
<b>PA</b>	polished aluminum	+\$0
<b>SG</b>	slate grey	+\$0
<b>WN</b>	warm grey neutral	+\$0
<b>CN</b>	metallic champagne	+\$0
<b>EH</b>	metallic bronze	+\$0
<b>MS</b>	metallic silver	+\$0

Eames® Standing Height Table,  
Round, Stone

- ET407
- ET408
- ET409
- ET410
- ET507
- ET508
- ET509
- ET510



**Product Information**

**Description**

This table has a stone top and comes with adjustable glides. Ships knocked down with assembly required. Top and base components ship in separate packages.

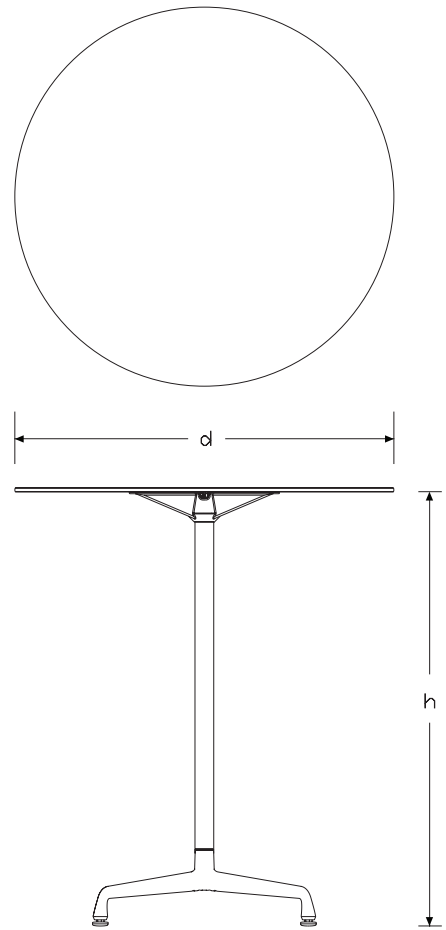
**Notes**

Stone top is  $\frac{3}{4}$ " thick and has a full bullnose edge profile.

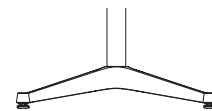
Marble tops have a honed finish; quartz tops have a polished finish.

Natural characteristics in stone cause variations in hues, veins, crystals, and distinctive marks. These variations and subtle changes seen as the stone ages are values associated with natural materials. No two tabletops are identically the same; variations in both color and veining are to be expected. Over time the stone may fade in color, staining of the surface may appear, and surface cracks, if not already visible at time of purchase, may appear. Small cracks do not affect the structure of the tabletop.

**Dimensions**



Universal Base



Contract Base

# Eames® Standing Height Table, Round, Stone *continued*

## Specification Information

### Step 1.

**ET**  A

### Step 2. Height

**4** 36" high  A

**5** 42" high  A

### Step 3. Diameter

**07** 30" diameter  A

**08** 36" diameter  A

**09** 42" diameter  A

**10** 48" diameter  A

### Step 4. Base

#### For 30" diameter (07) or 36" diameter (08)

**U** universal base  A

**C** contract base  A

#### For 42" diameter (09) or 48" diameter (10)

**C** contract base  A

### Step 5. Surface Material

**S** stone top  A

### Prices for Steps 1-5.

	<b>S</b>
<b>ET407 U</b>	\$5984
<b>C</b>	\$5984
<b>ET408 U</b>	\$7191
<b>C</b>	\$7191
<b>ET409 C</b>	\$10401
<b>ET410 C</b>	\$10769
<b>ET507 U</b>	\$5984
<b>C</b>	\$5984
<b>ET508 U</b>	\$7191
<b>C</b>	\$7191
<b>ET509 C</b>	\$10401
<b>ET510 C</b>	\$10769

### Step 6. Top Finish

#### For 30" diameter (07) with stone top (S)

<b>5U</b> georgia grey marble <input type="checkbox"/> A	+\$436
<b>CRR</b> Carrara marble <input type="checkbox"/> A	+\$436
<b>QBL</b> black quartz <input type="checkbox"/> A	+\$270
<b>QCN</b> concrete quartz <input type="checkbox"/> A	-\$250
<b>QPL</b> pearl quartz <input type="checkbox"/> A	-\$250

#### For 36" diameter (08) with stone top (S)

<b>5U</b> georgia grey marble <input type="checkbox"/> A	+\$526
<b>CRR</b> Carrara marble <input type="checkbox"/> A	+\$0
<b>QBL</b> black quartz <input type="checkbox"/> A	-\$300
<b>QCN</b> concrete quartz <input type="checkbox"/> A	-\$900
<b>QPL</b> pearl quartz <input type="checkbox"/> A	-\$900

#### For 42" diameter (09) with stone top (S)

<b>5U</b> georgia grey marble <input type="checkbox"/> A	+\$610
<b>CRR</b> Carrara marble <input type="checkbox"/> A	-\$1000
<b>QBL</b> black quartz <input type="checkbox"/> A	-\$1200
<b>QCN</b> concrete quartz <input type="checkbox"/> A	-\$1800
<b>QPL</b> pearl quartz <input type="checkbox"/> A	-\$1800

#### For 48" diameter (10) with stone top (S)

<b>5U</b> georgia grey marble <input type="checkbox"/> A	+\$711
<b>CRR</b> Carrara marble <input type="checkbox"/> A	-\$1000
<b>QBL</b> black quartz <input type="checkbox"/> A	-\$1200
<b>QCN</b> concrete quartz <input type="checkbox"/> A	-\$1800
<b>QPL</b> pearl quartz <input type="checkbox"/> A	-\$1800

### Step 7. Column Finish

<b>91</b> white <input type="checkbox"/> A	+\$0
<b>BK</b> black <input type="checkbox"/> A	+\$0
<b>BU</b> black umber <input type="checkbox"/> A	+\$0
<b>CL</b> cool grey neutral <input type="checkbox"/> A	+\$0
<b>G2</b> graphite satin <input type="checkbox"/> A	+\$0
<b>HF</b> inner tone light <input type="checkbox"/> A	+\$0
<b>LT</b> light tone <input type="checkbox"/> A	+\$0
<b>LU</b> soft white <input type="checkbox"/> A	+\$0
<b>MT</b> medium tone <input type="checkbox"/> A	+\$0
<b>SG</b> slate grey <input type="checkbox"/> A	+\$0
<b>WN</b> warm grey neutral <input type="checkbox"/> A	+\$0
<b>CN</b> metallic champagne <input type="checkbox"/> A	+\$0
<b>EH</b> metallic bronze <input type="checkbox"/> A	+\$0
<b>MS</b> metallic silver <input type="checkbox"/> A	+\$0

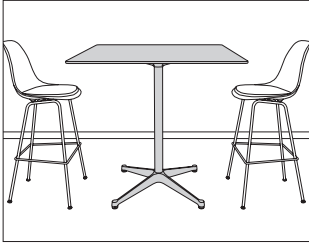
# Eames® Standing Height Table, Round, Stone *continued*

## Step 8. Base Finish

<b>91</b>	white <input type="checkbox"/>	+\$0
<b>BK</b>	black <input type="checkbox"/>	+\$0
<b>BU</b>	black umber <input type="checkbox"/>	+\$0
<b>CL</b>	cool grey neutral <input type="checkbox"/>	+\$0
<b>G2</b>	graphite satin <input type="checkbox"/>	+\$0
<b>HF</b>	inner tone light <input type="checkbox"/>	+\$0
<b>LT</b>	light tone <input type="checkbox"/>	+\$0
<b>LU</b>	soft white <input type="checkbox"/>	+\$0
<b>MT</b>	medium tone <input type="checkbox"/>	+\$0
<b>PA</b>	polished aluminum <input type="checkbox"/>	+\$0
<b>SG</b>	slate grey <input type="checkbox"/>	+\$0
<b>WN</b>	warm grey neutral <input type="checkbox"/>	+\$0
<b>CN</b>	metallic champagne <input type="checkbox"/>	+\$0
<b>EH</b>	metallic bronze <input type="checkbox"/>	+\$0
<b>MS</b>	metallic silver <input type="checkbox"/>	+\$0

Eames® Standing Height Table,  
Square, Stone

ET404  
ET406  
ET504  
ET506



Eames® Tables

**Product Information**

**Description**

This table has a stone top and comes with adjustable glides. Ships knocked down with assembly required. Top and base components ship in separate packages.

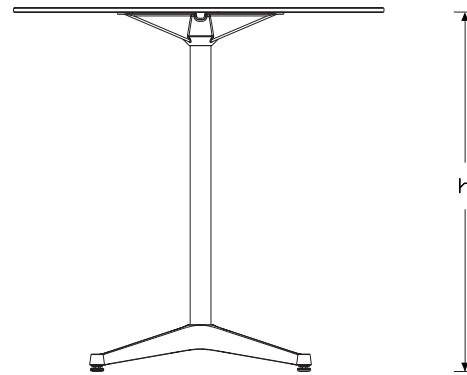
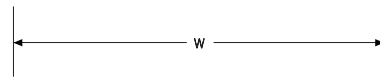
**Notes**

Stone top is 3/4" thick and has a full bullnose edge profile.

Marble tops have a honed finish; quartz tops have a polished finish.

Natural characteristics in stone cause variations in hues, veins, crystals, and distinctive marks. These variations and subtle changes seen as the stone ages are values associated with natural materials. No two tabletops are identically the same; variations in both color and veining are to be expected. Over time the stone may fade in color, staining of the surface may appear, and surface cracks, if not already visible at time of purchase, may appear. Small cracks do not affect the structure of the tabletop.

**Dimensions**



Contract Base



Universal Base



# Eames® Standing Height Table, Square, Stone *continued*

Eames® Tables

## Specification Information

### Step 1.

**ET**

### Step 2. Height

**4** 36" high

**5** 42" high

### Step 3. Depth/Width

**04** 30" deep x 30" wide

**06** 42" deep x 42" wide

### Step 4. Base

#### For 30" deep x 30" wide (04)

**U** universal base

**C** contract base

#### For 42" deep x 42" wide (06)

**C** contract base

### Step 5. Surface Material

**S** stone top

### Prices for Steps 1-5.

	<b>S</b>
<b>ET404 U</b>	\$5984
<b>C</b>	\$5984
<b>ET406 C</b>	\$10401
<b>ET504 U</b>	\$5984
<b>C</b>	\$5984
<b>ET506 C</b>	\$10401

### Step 6. Top Finish

#### For 30" deep x 30" wide (04) with stone top (S)

<b>5U</b> georgia grey marble <input type="checkbox"/>	+\$436
<b>CRR</b> Carrara marble <input type="checkbox"/>	+\$436
<b>QBL</b> black quartz <input type="checkbox"/>	+\$270
<b>QCN</b> concrete quartz <input type="checkbox"/>	-\$250
<b>QPL</b> pearl quartz <input type="checkbox"/>	-\$250

#### For 42" deep x 42" wide (06) with stone top (S)

<b>5U</b> georgia grey marble <input type="checkbox"/>	+\$610
<b>CRR</b> Carrara marble <input type="checkbox"/>	-\$1000
<b>QBL</b> black quartz <input type="checkbox"/>	-\$1200
<b>QCN</b> concrete quartz <input type="checkbox"/>	-\$1800
<b>QPL</b> pearl quartz <input type="checkbox"/>	-\$1800

### Step 7. Column Finish

<b>91</b> white <input type="checkbox"/>	+\$0
<b>BK</b> black <input type="checkbox"/>	+\$0
<b>BU</b> black umber <input type="checkbox"/>	+\$0
<b>CL</b> cool grey neutral <input type="checkbox"/>	+\$0
<b>G2</b> graphite satin <input type="checkbox"/>	+\$0
<b>HF</b> inner tone light <input type="checkbox"/>	+\$0
<b>LT</b> light tone <input type="checkbox"/>	+\$0
<b>LU</b> soft white <input type="checkbox"/>	+\$0
<b>MT</b> medium tone <input type="checkbox"/>	+\$0
<b>SG</b> slate grey <input type="checkbox"/>	+\$0
<b>WN</b> warm grey neutral <input type="checkbox"/>	+\$0
<b>CN</b> metallic champagne <input type="checkbox"/>	+\$0
<b>EH</b> metallic bronze <input type="checkbox"/>	+\$0
<b>MS</b> metallic silver <input type="checkbox"/>	+\$0

### Step 8. Base Finish

<b>91</b> white <input type="checkbox"/>	+\$0
<b>BK</b> black <input type="checkbox"/>	+\$0
<b>BU</b> black umber <input type="checkbox"/>	+\$0
<b>CL</b> cool grey neutral <input type="checkbox"/>	+\$0
<b>G2</b> graphite satin <input type="checkbox"/>	+\$0
<b>HF</b> inner tone light <input type="checkbox"/>	+\$0
<b>LT</b> light tone <input type="checkbox"/>	+\$0
<b>LU</b> soft white <input type="checkbox"/>	+\$0
<b>MT</b> medium tone <input type="checkbox"/>	+\$0
<b>PA</b> polished aluminum <input type="checkbox"/>	+\$0
<b>SG</b> slate grey <input type="checkbox"/>	+\$0
<b>WN</b> warm grey neutral <input type="checkbox"/>	+\$0
<b>CN</b> metallic champagne <input type="checkbox"/>	+\$0
<b>EH</b> metallic bronze <input type="checkbox"/>	+\$0
<b>MS</b> metallic silver <input type="checkbox"/>	+\$0

Eames® Standing Height Table,  
Rectangular, Stone

ET443  
ET450  
ET452  
ET487  
ET543  
ET550  
ET552  
ET587



Eames® Tables

**Product Information**

**Description**

This table has a stone top and comes with adjustable glides. Ships knocked down with assembly required. Top and base components ship in separate packages.

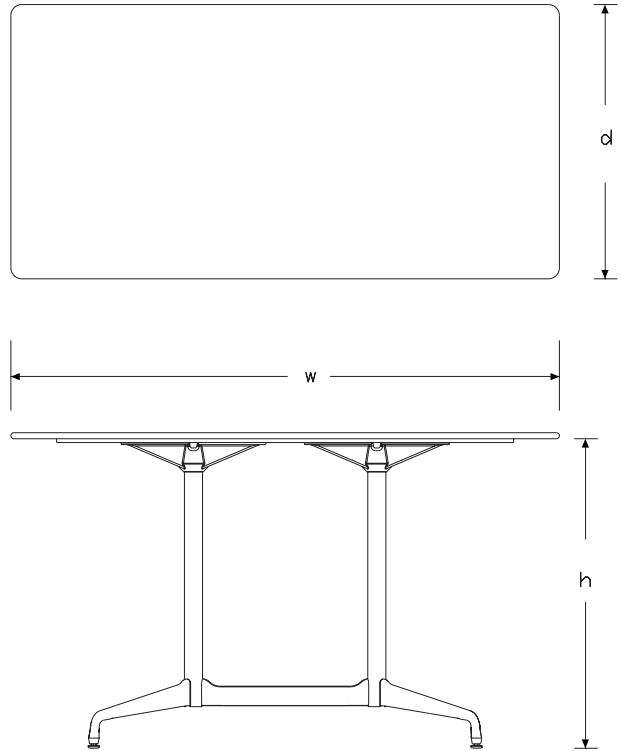
**Notes**

Stone top is  $\frac{3}{4}$ " thick and has a full bullnose edge profile.

Marble tops have a honed finish; quartz tops have a polished finish.

Natural characteristics in stone cause variations in hues, veins, crystals, and distinctive marks. These variations and subtle changes seen as the stone ages are values associated with natural materials. No two tabletops are identically the same; variations in both color and veining are to be expected. Over time the stone may fade in color, staining of the surface may appear, and surface cracks, if not already visible at time of purchase, may appear. Small cracks do not affect the structure of the tabletop.

**Dimensions**



Segmented Base

# Eames® Standing Height Table, Rectangular, Stone *continued*

## Specification Information

### Step 1.

**ET**

### Step 2. Height

**4** 36" high

**5** 42" high

### Step 3. Depth/Width

**87R** 30" deep x 60" wide

**43R** 36" deep x 72" wide

**50R** 42" deep x 66" wide

**52R** 42" deep x 78" wide

### Step 4. Base

**S** segmented base

### Step 5. Surface Material

**S** stone top

### Prices for Steps 1-5.

	<b>S</b>
<b>ET487R S</b>	\$14021
<b>ET443R S</b>	\$15648
<b>ET450R S</b>	\$15243
<b>ET452R S</b>	\$16043
<b>ET587R S</b>	\$13749
<b>ET543R S</b>	\$15648
<b>ET550R S</b>	\$14947
<b>ET552R S</b>	\$15731

### Step 6. Top Finish

#### *For 30" deep x 60" wide (87R) with stone top (S)*

<b>5U</b> georgia grey marble <input type="checkbox"/>	+\$1026
<b>CRR</b> Carrara marble <input type="checkbox"/>	-\$500
<b>QBL</b> black quartz <input type="checkbox"/>	-\$1400
<b>QCN</b> concrete quartz <input type="checkbox"/>	-\$2200
<b>QPL</b> pearl quartz <input type="checkbox"/>	-\$2200

#### *For 36" deep x 72" wide (43R) with stone top (S)*

<b>5U</b> georgia grey marble <input type="checkbox"/>	+\$1148
<b>CRR</b> Carrara marble <input type="checkbox"/>	-\$500
<b>QBL</b> black quartz <input type="checkbox"/>	-\$1200
<b>QCN</b> concrete quartz <input type="checkbox"/>	-\$3000
<b>QPL</b> pearl quartz <input type="checkbox"/>	-\$3000

#### *For 42" deep x 66" wide (50R) with stone top (S)*

<b>5U</b> georgia grey marble <input type="checkbox"/>	+\$0
<b>CRR</b> Carrara marble <input type="checkbox"/>	-\$500
<b>QBL</b> black quartz <input type="checkbox"/>	-\$1400
<b>QCN</b> concrete quartz <input type="checkbox"/>	-\$3000
<b>QPL</b> pearl quartz <input type="checkbox"/>	-\$3000

#### *For 42" deep x 78" wide (52R) with stone top (S)*

<b>5U</b> georgia grey marble <input type="checkbox"/>	+\$0
<b>CRR</b> Carrara marble <input type="checkbox"/>	-\$800
<b>QBL</b> black quartz <input type="checkbox"/>	-\$1200
<b>QCN</b> concrete quartz <input type="checkbox"/>	-\$3000
<b>QPL</b> pearl quartz <input type="checkbox"/>	-\$3000

### Step 7. Column Finish

<b>91</b> white <input type="checkbox"/>	+\$0
<b>BK</b> black <input type="checkbox"/>	+\$0
<b>BU</b> black umber <input type="checkbox"/>	+\$0
<b>CL</b> cool grey neutral <input type="checkbox"/>	+\$0
<b>G2</b> graphite satin <input type="checkbox"/>	+\$0
<b>HF</b> inner tone light <input type="checkbox"/>	+\$0
<b>LT</b> light tone <input type="checkbox"/>	+\$0
<b>LU</b> soft white <input type="checkbox"/>	+\$0
<b>MT</b> medium tone <input type="checkbox"/>	+\$0
<b>SG</b> slate grey <input type="checkbox"/>	+\$0
<b>WN</b> warm grey neutral <input type="checkbox"/>	+\$0
<b>CN</b> metallic champagne <input type="checkbox"/>	+\$0
<b>EH</b> metallic bronze <input type="checkbox"/>	+\$0
<b>MS</b> metallic silver <input type="checkbox"/>	+\$0

Eames® Standing Height Table,  
 Rectangular, Stone *continued*

Eames® Tables

Step 8. Base Finish		
<b>91</b>	white <input type="checkbox"/> A	+\$0
<b>BK</b>	black <input type="checkbox"/> A	+\$0
<b>BU</b>	black umber <input type="checkbox"/> A	+\$0
<b>CL</b>	cool grey neutral <input type="checkbox"/> A	+\$0
<b>G2</b>	graphite satin <input type="checkbox"/> A	+\$0
<b>HF</b>	inner tone light <input type="checkbox"/> A	+\$0
<b>LT</b>	light tone <input type="checkbox"/> A	+\$0
<b>LU</b>	soft white <input type="checkbox"/> A	+\$0
<b>MT</b>	medium tone <input type="checkbox"/> A	+\$0
<b>PA</b>	polished aluminum <input type="checkbox"/> A	+\$0
<b>SG</b>	slate grey <input type="checkbox"/> A	+\$0
<b>WN</b>	warm grey neutral <input type="checkbox"/> A	+\$0
<b>CN</b>	metallic champagne <input type="checkbox"/> A	+\$0
<b>EH</b>	metallic bronze <input type="checkbox"/> A	+\$0
<b>MS</b>	metallic silver <input type="checkbox"/> A	+\$0

Eames® Standing Height Table,  
Oval, Stone

- ET443
- ET450
- ET452
- ET487
- ET543
- ET550
- ET552
- ET587



**Product Information**

**Description**

This table has a stone top and comes with adjustable glides. Ships knocked down with assembly required. Top and base components ship in separate packages.

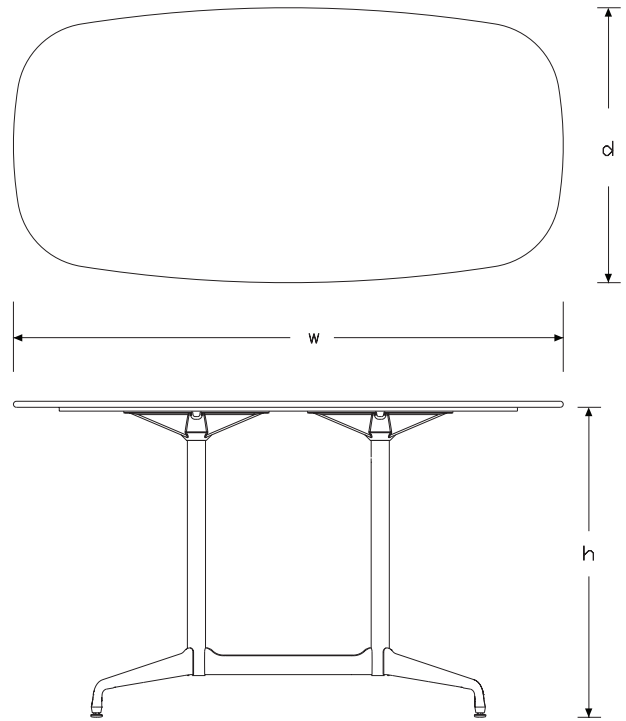
**Notes**

Stone top is 3/4" thick and has a full bullnose edge profile.

Marble tops have a honed finish; quartz tops have a polished finish.

Natural characteristics in stone cause variations in hues, veins, crystals, and distinctive marks. These variations and subtle changes seen as the stone ages are values associated with natural materials. No two tabletops are identically the same; variations in both color and veining are to be expected. Over time the stone may fade in color, staining of the surface may appear, and surface cracks, if not already visible at time of purchase, may appear. Small cracks do not affect the structure of the tabletop.

**Dimensions**



Segmented Base

# Eames® Standing Height Table, Oval, Stone *continued*

## Specification Information

### Step 1.

**ET**  A

### Step 2. Height

**4** 36" high  A

**5** 42" high  A

### Step 3. Depth/Width

**87V** 30" deep x 60" wide  A

**43V** 36" deep x 72" wide  A

**50V** 42" deep x 66" wide  A

**52V** 42" deep x 78" wide  A

### Step 4. Base

**S** segmented base  A

### Step 5. Surface Material

**S** stone top  A

### Prices for Steps 1-5.

	<b>S</b>
<b>ET487V S</b>	\$14021
<b>ET443V S</b>	\$15648
<b>ET450V S</b>	\$15243
<b>ET452V S</b>	\$16043
<b>ET587V S</b>	\$13749
<b>ET543V S</b>	\$15648
<b>ET550V S</b>	\$14947
<b>ET552V S</b>	\$15731

### Step 6. Top Finish

#### *For 30" deep x 60" wide (87V) with stone top (S)*

<b>5U</b> georgia grey marble <input type="checkbox"/> A	+\$700
<b>CRR</b> Carrara marble <input type="checkbox"/> A	+\$450
<b>QBL</b> black quartz <input type="checkbox"/> A	-\$400
<b>QCN</b> concrete quartz <input type="checkbox"/> A	-\$1200
<b>QPL</b> pearl quartz <input type="checkbox"/> A	-\$1200

#### *For 36" deep x 72" wide (43V) with stone top (S)*

<b>5U</b> georgia grey marble <input type="checkbox"/> A	+\$0
<b>CRR</b> Carrara marble <input type="checkbox"/> A	-\$300
<b>QBL</b> black quartz <input type="checkbox"/> A	-\$350
<b>QCN</b> concrete quartz <input type="checkbox"/> A	-\$2000
<b>QPL</b> pearl quartz <input type="checkbox"/> A	-\$2000

#### *For 42" deep x 66" wide (50V) with stone top (S)*

<b>5U</b> georgia grey marble <input type="checkbox"/> A	+\$1117
<b>CRR</b> Carrara marble <input type="checkbox"/> A	+\$500
<b>QBL</b> black quartz <input type="checkbox"/> A	-\$500
<b>QCN</b> concrete quartz <input type="checkbox"/> A	-\$2000
<b>QPL</b> pearl quartz <input type="checkbox"/> A	-\$2000

#### *For 42" deep x 78" wide (52V) with stone top (S)*

<b>5U</b> georgia grey marble <input type="checkbox"/> A	+\$1177
<b>CRR</b> Carrara marble <input type="checkbox"/> A	+\$500
<b>QBL</b> black quartz <input type="checkbox"/> A	-\$500
<b>QCN</b> concrete quartz <input type="checkbox"/> A	-\$2000
<b>QPL</b> pearl quartz <input type="checkbox"/> A	-\$2000

### Step 7. Column Finish

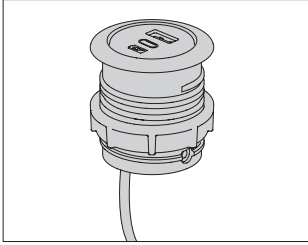
<b>91</b> white <input type="checkbox"/> A	+\$0
<b>BK</b> black <input type="checkbox"/> A	+\$0
<b>BU</b> black umber <input type="checkbox"/> A	+\$0
<b>CL</b> cool grey neutral <input type="checkbox"/> A	+\$0
<b>G2</b> graphite satin <input type="checkbox"/> A	+\$0
<b>HF</b> inner tone light <input type="checkbox"/> A	+\$0
<b>LT</b> light tone <input type="checkbox"/> A	+\$0
<b>LU</b> soft white <input type="checkbox"/> A	+\$0
<b>MT</b> medium tone <input type="checkbox"/> A	+\$0
<b>SG</b> slate grey <input type="checkbox"/> A	+\$0
<b>WN</b> warm grey neutral <input type="checkbox"/> A	+\$0
<b>CN</b> metallic champagne <input type="checkbox"/> A	+\$0
<b>EH</b> metallic bronze <input type="checkbox"/> A	+\$0
<b>MS</b> metallic silver <input type="checkbox"/> A	+\$0

# Eames® Standing Height Table, Oval, Stone *continued*

## Step 8. Base Finish

<b>91</b>	white <input type="checkbox"/>	+\$0
<b>BK</b>	black <input type="checkbox"/>	+\$0
<b>BU</b>	black umber <input type="checkbox"/>	+\$0
<b>CL</b>	cool grey neutral <input type="checkbox"/>	+\$0
<b>G2</b>	graphite satin <input type="checkbox"/>	+\$0
<b>HF</b>	inner tone light <input type="checkbox"/>	+\$0
<b>LT</b>	light tone <input type="checkbox"/>	+\$0
<b>LU</b>	soft white <input type="checkbox"/>	+\$0
<b>MT</b>	medium tone <input type="checkbox"/>	+\$0
<b>PA</b>	polished aluminum <input type="checkbox"/>	+\$0
<b>SG</b>	slate grey <input type="checkbox"/>	+\$0
<b>WN</b>	warm grey neutral <input type="checkbox"/>	+\$0
<b>CN</b>	metallic champagne <input type="checkbox"/>	+\$0
<b>EH</b>	metallic bronze <input type="checkbox"/>	+\$0
<b>MS</b>	metallic silver <input type="checkbox"/>	+\$0

# Round Dual USB Charging Unit ET990.



Eames® Tables

## Product Information

### Description

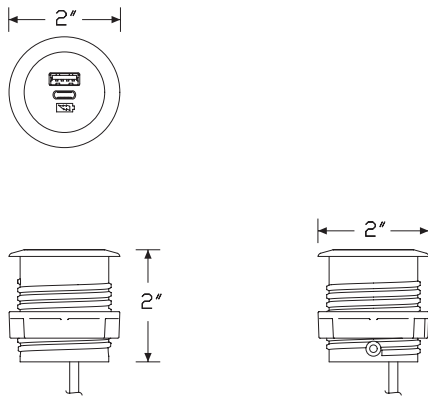
This round dual USB charging unit works with small Eames® tables (30" or 36" round or square tops) with a universal or contract base. Unit is powered using a standard power cord with plug end.

### Notes

Unit provides 2 amps per port.

Can be used with Eames round or square tables (30", 36") in occasional, collaborative lounge, conference, or standing heights, ordered separately.

### Dimensions



## Specification Information

### Step 1.

**ET990.** A

### Step 2. Configuration

- A** 1 dual USB-A
- B** 1 USB-C 18W
- C** 1 USB-C 60W
- D** 1 USB A + C

### Step 3. Cord Length

#### For 1 dual USB-A (A)

- 02** 2' cord A
- 04** 4' cord A
- 10** 10' cord A
- 20** 20' cord A

#### For 1 USB-C 18W (B) or 1 USB-C 60W (C)

- 06** 6' cord A

#### For 1 USB A + C (D)

- 02** 2' cord A
- 04** 4' cord A
- 06** 6' cord A
- 10** 10' cord A
- 12** 12' cord A
- 20** 20' cord A

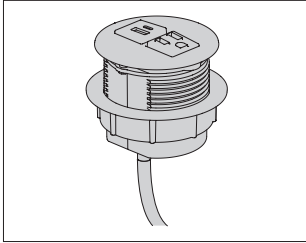
### Prices for Steps 1-3.

	<b>02</b>	<b>04</b>	<b>06</b>	<b>10</b>	<b>12</b>	<b>20</b>
<b>ET990. A</b>	\$580	580	—	618	—	659
<b>B</b>	—	—	\$601	—	—	—
<b>C</b>	—	—	\$614	—	—	—
<b>D</b>	\$595	595	627	629	656	677

### Step 4. Finish

- 91** white bezel, white faceplate A +\$0
- BK** black bezel, black faceplate A +\$0
- PA91** polished aluminum bezel, white faceplate A +\$150
- PABK** polished aluminum bezel, black faceplate A +\$150





**Product Information**

**Description**

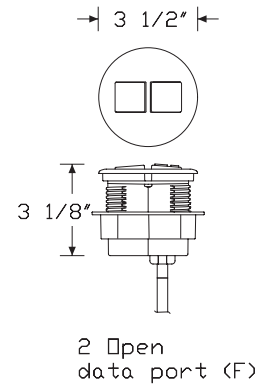
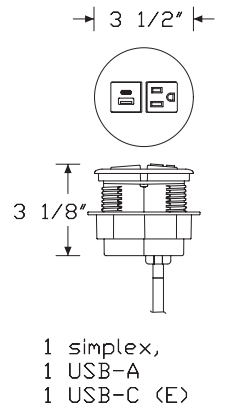
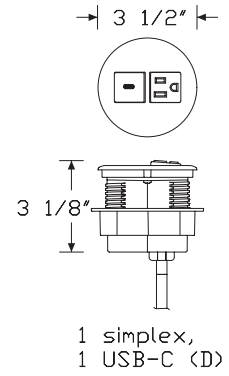
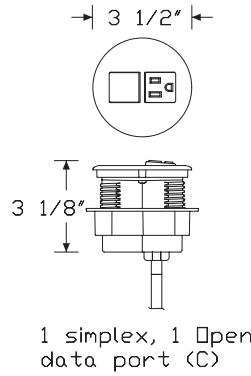
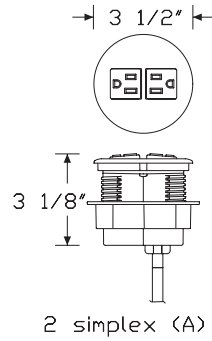
This power module offers a range of power, data and USB configurations for use on large Eames® tables with contract or segmented bases. This unit may be used in place of any of the round grommets over the column(s) of Eames contract or segmented base tables with tops larger than 36". Power module is UL listed and available with 15-amp cord or an open end for hard-wiring.

**Notes**

Field cutting of grommet cutouts is possible; factory cutouts are recommended.

This unit will not work on 30" or 36" round or square Eames tables with universal or contract bases.

**Dimensions**



**Specification Information**

Step 1.

**ET991.** A

Step 2. Configuration

- A** 2 simplex receptacles A
- C** 1 simplex receptacle, 1 open data port A
- D** 1 simplex receptacle, 1 USB-C (18W) A
- E** 1 simplex receptacle, 1 USB-A and 1 USB-C A
- F** 2 open data port A

Step 3. Power Type

*For 2 simplex receptacles (A), 1 simplex receptacle, 1 open data port (C), 1 simplex receptacle, 1 USB-C (18W) (D), or 1 simplex receptacle, 1 USB-A and 1 USB-C (E)*

- A** power cord with plug end A
- B** conduit with open end, for hard-wiring A

*For 2 open data port (F)*

- C** no power A

Step 4. Cord/Conduit Length

*For power cord with plug end (A)*

- 02** 2' cord A
- 04** 4' cord A
- 10** 10' cord A
- 20** 20' cord A

*For conduit with open end, for hard-wiring (B)*

- 02** 2' conduit A
- 04** 4' conduit A
- 10** 10' conduit A
- 20** 20' conduit A

*For no power (C)*

- NC** no cord/conduit A

Prices for Steps 1-4.

	NC	02	04	10	20
<b>ET991. A A</b>	—	\$373	373	407	451
<b>B</b>	—	\$381	422	561	778
<b>C A</b>	—	\$373	373	407	451
<b>B</b>	—	\$381	422	561	778
<b>D A</b>	—	\$609	609	622	648
<b>B</b>	—	\$622	648	701	793

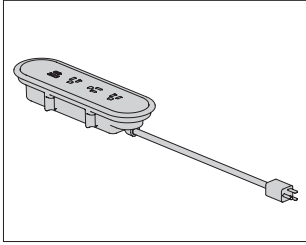
<b>E A</b>	—	\$529	529	543	570
<b>B</b>	—	\$543	555	622	713
<b>F C</b>	\$385	—	—	—	—

Step 5. Finish

- 91** white faceplate, white simplex A +\$0
- BK** black faceplate, black simplex A +\$0
- PA91** polished aluminum faceplate, white simplex A +\$0
- PABK** polished aluminum faceplate, black simplex A +\$0

# Oval Power Module

ET992.



## Product Information

### Description

This power module works on rectangular and oval Eames® tables with segmented base. It comes in configurations of 4 simplex receptacles, 3 simplex receptacles and 1 dual USB A charging port, or 3 simplex receptacles and 1 USB A/C combo charging port. Unit is powered using a standard power cord with plug end or a hard-wired connection with electrical conduit. This product is UL listed.

### Notes

Eames oval or rectangular tables 10'L-14'L may utilize any of the following power solutions if proper cutouts are selected as part of the table specification:

- 2 individual oval power modules (ET992.)
- 2 individual oval power modules with undermount power (ET994.)
- 1 pair of oval power modules (ET993.)
- 1 pair of oval power modules with undermount power (ET995.)
- Up to 2 round power modules (ET991.)

Eames oval or rectangular tables 16'L may utilize any of the following power solutions if proper cutouts are selected as part of the table specification:

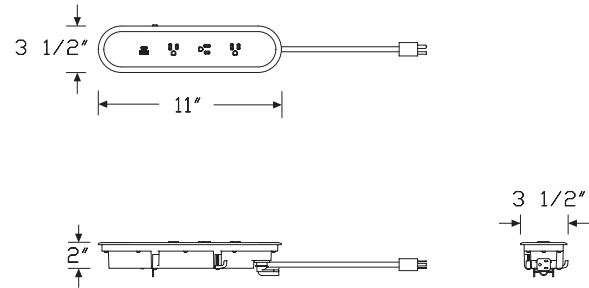
- 3 individual oval power modules (ET992.)
- 2 individual oval power modules with undermount power (ET994.) in conjunction with 1 additional oval power module (ET992.) in the center
- 1 pair of oval power modules (ET993.) with 1 additional oval power module (ET992.) at one end
- 1 pair of oval power modules with undermount power (ET995.) in conjunction with 1 additional oval power module (ET992.)
- Up to 2 round power modules (ET991.)

Eames oval or rectangular tables 18'L and larger may utilize any of the following power solutions if proper cutouts are selected as part of the table specification:

- 2 pair of oval power modules (ET993.)
- 2 pair of oval power modules with undermount power (ET995.)
- 2 individual oval power modules with undermount power (ET994.) for each end of the table, in conjunction with 2 additional oval power modules (ET992.) in the center
- 4 individual oval power modules (ET992.)
- Up to 3 round power modules (ET991.)

Field cutting of grommet cutouts is possible; factory cutouts are recommended.

## Dimensions



**Specification Information**

Step 1.

**ET992.**  A

Step 2. Configuration

- A** 4 simplex receptacles  A
- B** 3 simplex receptacles, 1 dual USB A  A
- C** 3 simplex receptacles, 1 USB A/C Combo  A

Step 3. Power Type

- A** power cord with plug end  A
- B** conduit with open end, for hard-wiring  A

Step 4. Cord/Conduit Length

*For power cord with plug end (A)*

- 04** 4' cord  A
- 06** 6' cord  A
- 10** 10' cord  A
- 20** 20' cord  A

*For conduit with open end, for hard-wiring (B)*

- 04** 4' conduit  A
- 06** 6' conduit  A
- 10** 10' conduit  A
- 20** 20' conduit  A

Prices for Steps 1-4.

		<b>04</b>	<b>06</b>	<b>10</b>	<b>20</b>
<b>ET992. A</b>	<b>A</b>	\$1043	1043	1079	1122
	<b>B</b>	\$1128	1204	1260	1475
	<b>B A</b>	\$1087	1087	1122	1167
	<b>B</b>	\$1174	1246	1303	1521
	<b>C A</b>	\$1100	1100	1136	1179
	<b>B</b>	\$1186	1259	1315	1533

Step 5. Bezel Finish

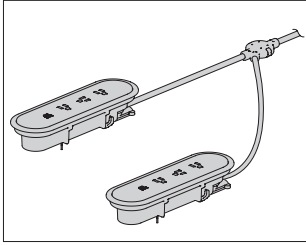
- 91** white  A +\$0
- BK** black  A +\$0
- PA** polished aluminum  A +\$0

Step 6. Faceplate Finish

- 91** white  A +\$0
- BK** black  A +\$0

## Pair of Oval Power Modules

ET993.



### Product Information

#### Description

This pair of oval power modules works on rectangular and oval Eames® tables with segmented base. Each module comes with 4 simplex receptacles, 3 simplex receptacles and 1 dual USB A charging port, or 3 simplex receptacles and 1 USB A/C combo charging port. Unit is powered using a standard power cord with plug. This product is ETL listed to UL standards.

#### Notes

Eames oval or rectangular tables 10'L-14'L may utilize any of the following power solutions if proper cutouts are selected as part of the table specification:

- 2 individual oval power modules (ET992.)
- 2 individual oval power modules with undermount power (ET994.)
- 1 pair of oval power modules (ET993.)
- 1 pair of oval power modules with undermount power (ET995.)
- Up to 2 round power modules (ET991.)

Eames oval or rectangular tables 16'L may utilize any of the following power solutions if proper cutouts are selected as part of the table specification:

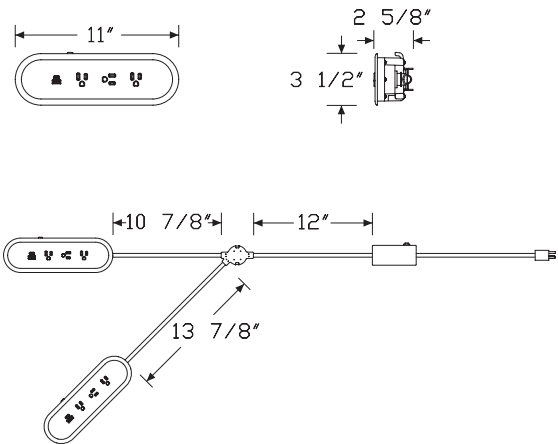
- 3 individual oval power modules (ET992.)
- 2 individual oval power modules with undermount power (ET994.) in conjunction with 1 additional oval power module (ET992.) in the center
- 1 pair of oval power modules (ET993.) with 1 additional oval power module (ET992.) at one end
- 1 pair of oval power modules with undermount power (ET995.) in conjunction with 1 additional oval power module (ET992.)
- Up to 2 round power modules (ET991.)

Eames oval or rectangular tables 18'L and larger may utilize any of the following power solutions if proper cutouts are selected as part of the table specification:

- 2 pair of oval power modules (ET993.)
- 2 pair of oval power modules with undermount power (ET995.)
- 2 individual oval power modules with undermount power (ET994.) for each end of the table, in conjunction with 2 additional oval power modules (ET992.) in the center
- 4 individual oval power modules (ET992.)
- Up to 3 round power modules (ET991.)

Field cutting of grommet cutouts is possible; factory cutouts are recommended.

### Dimensions



# Pair of Oval Power Modules

continued

## Specification Information

Step 1.

**ET993.** A

Step 2. Configuration (in each unit)

- A** 4 simplex receptacles per distributor A
- B** 3 simplex receptacles, 1 dual USB A per distributor A
- C** 3 simplex receptacles, 1 USB A/C Combo per distributor A

Step 3. Cord Length

- 04** 4' cord A
- 10** 10' cord A
- 16** 16' cord A

Prices for Steps 1-3.

	<b>04</b>	<b>10</b>	<b>16</b>
<b>ET993. A</b>	\$2676	2710	2756
<b>B</b>	\$2776	2812	2857
<b>C</b>	\$2789	2828	2869

Step 4. Bezel Finish

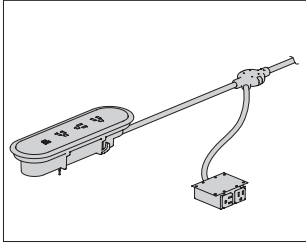
- 91** white A +\$0
- BK** black A +\$0
- PA** polished aluminum A +\$0

Step 5. Faceplate Finish

- 91** white A +\$0
- BK** black A +\$0

# Oval Power Module & Undermount Power

ET994.



## Product Information

### Description

This oval power module with undermount unit works on rectangular and oval Eames® tables with segmented base. Oval power module comes with 4 simplex receptacles, 3 simplex receptacles and 1 dual USB A charging port, or 3 simplex receptacles and 1 USB A/C combo charging port. The undermount unit provides optional combinations of 2 simplex receptacles, or 1 simplex with 1 dual USB A port or 1 data port. Product is ETL listed to UL standards and powered using a standard power cord with plug.

### Notes

Undermount power unit is always black.

Eames oval or rectangular tables 10'L-14'L may utilize any of the following power solutions if proper cutouts are selected as part of the table specification:

- 2 individual oval power modules (ET992.)
- 2 individual oval power modules with undermount power (ET994.)
- 1 pair of oval power modules (ET993.)
- 1 pair of oval power modules with undermount power (ET995.)
- Up to 2 round power modules (ET991.)

Eames oval or rectangular tables 16'L may utilize any of the following power solutions if proper cutouts are selected as part of the table specification:

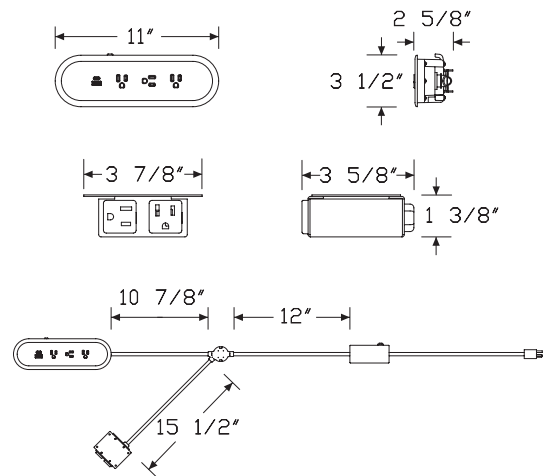
- 3 individual oval power modules (ET992.)
- 2 individual oval power modules with undermount power (ET994.) in conjunction with 1 additional oval power module (ET992.) in the center
- 1 pair of oval power modules (ET993.) with 1 additional oval power module (ET992.) at one end
- 1 pair of oval power modules with undermount power (ET995.) in conjunction with 1 additional oval power module (ET992.)
- Up to 2 round power modules (ET991.)

Eames oval or rectangular tables 18'L and larger may utilize any of the following power solutions if proper cutouts are selected as part of the table specification:

- 2 pair of oval power modules (ET993.)
- 2 pair of oval power modules with undermount power (ET995.)
- 2 individual oval power modules with undermount power (ET994.) for each end of the table, in conjunction with 2 additional oval power modules (ET992.) in the center
- 4 individual oval power modules (ET992.)
- Up to 3 round power modules (ET991.)

Field cutting of grommet cutouts is possible; factory cutouts are recommended.

## Dimensions



# Oval Power Module & Undermount Power *continued*

## Specification Information

### Step 1.

**ET994.**  A

### Step 2. Oval Power Module Configuration

- A** 4 simplex receptacles  A
- B** 3 simplex receptacles, 1 dual USB A  A
- C** 3 simplex receptacles, 1 USB A/C Combo  A

### Step 3. Undermount Unit Configuration

- A** 2 simplex receptacles  A
- B** 1 simplex receptacle, 1 dual USB A  A
- C** 1 simplex receptacle, 1 open data port  A

### Step 4. Cord Length

- 04** 4' cord  A
- 10** 10' cord  A
- 17** 17' cord  A

### Prices for Steps 1-4.

		<b>04</b>	<b>10</b>	<b>17</b>
<b>ET994. A</b>	<b>A</b>	\$1911	1946	1988
	<b>B</b>	\$2227	2264	2306
	<b>C</b>	\$1911	1946	1988
<b>B</b>	<b>A</b>	\$1954	1988	2034
	<b>B</b>	\$2273	2306	2351
	<b>C</b>	\$1967	2003	2048
<b>C</b>	<b>A</b>	\$1967	2001	2047
	<b>B</b>	\$2285	2318	2364
	<b>C</b>	\$1982	2018	2062

### Step 5. Bezel Finish

- 91** white  A +\$0
- BK** black  A +\$0
- PA** polished aluminum  A +\$0

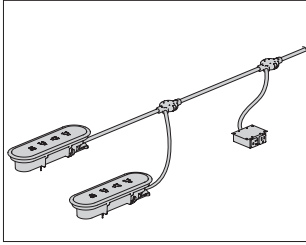
### Step 6. Faceplate Finish

- 91** white  A +\$0
- BK** black  A +\$0



## Pair of Oval Power Module & Undermount Power

ET995.



### Product Information

#### Description

This set of power modules with undermount unit works on rectangular and oval Eames® tables with segmented base. Oval power modules come with 4 simplex receptacles, 3 simplex receptacles and 1 dual USB A charging port, or 3 simplex receptacles and 1 USB A/C combo charging port. The undermount unit provides optional combinations of 2 simplex receptacles, or 1 simplex with 1 dual USB A port or 1 data port. Product is ETL listed to UL standards and powered using a standard power cord with plug.

#### Notes

Undermount power unit is always black.

Eames oval or rectangular tables 10'L-14'L may utilize any of the following power solutions if proper cutouts are selected as part of the table specification:

- 2 individual oval power modules (ET992.)
- 2 individual oval power modules with undermount power (ET994.)
- 1 pair of oval power modules (ET993.)
- 1 pair of oval power modules with undermount power (ET995.)
- Up to 2 round power modules (ET991.)

Eames oval or rectangular tables 16'L may utilize any of the following power solutions if proper cutouts are selected as part of the table specification:

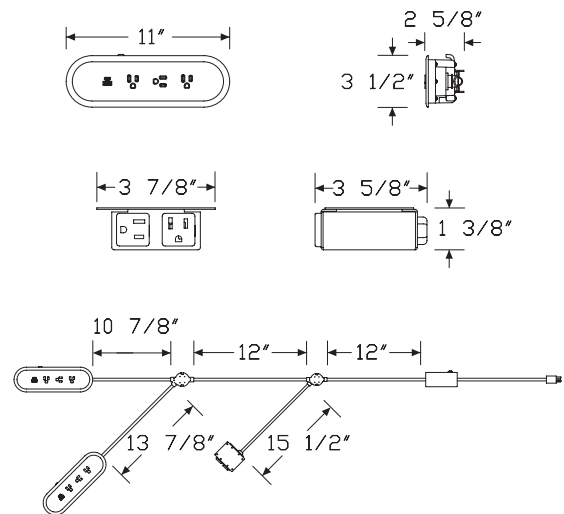
- 3 individual oval power modules (ET992.)
- 2 individual oval power modules with undermount power (ET994.) in conjunction with 1 additional oval power module (ET992.) in the center
- 1 pair of oval power modules (ET993.) with 1 additional oval power module (ET992.) at one end
- 1 pair of oval power modules with undermount power (ET995.) in conjunction with 1 additional oval power module (ET992.)
- Up to 2 round power modules (ET991.)

Eames oval or rectangular tables 18'L and larger may utilize any of the following power solutions if proper cutouts are selected as part of the table specification:

- 2 pair of oval power modules (ET993.)
- 2 pair of oval power modules with undermount power (ET995.)
- 2 individual oval power modules with undermount power (ET994.) for each end of the table, in conjunction with 2 additional oval power modules (ET992.) in the center
- 4 individual oval power modules (ET992.)
- Up to 3 round power modules (ET991.)

Field cutting of grommet cutouts is possible; factory cutouts are recommended.

### Dimensions



# Pair of Oval Power Module & Undermount Power *continued*

## Specification Information

### Step 1.

**ET995.**  A

### Step 2. Oval Power Module Configuration

**B** 3 simplex receptacles, 1 dual USB A  A

**D** 3 simplex receptacles, 1 USB A/C Combo  A

### Step 3. Undermount Unit Configuration

**A** 2 simplex receptacles  A

**B** 1 simplex receptacle, 1 dual USB A  A

**C** 1 simplex receptacle, 1 open data port  A

### Step 4. Cord Length

**04** 4' cord  A

**10** 10' cord  A

**17** 17' cord  A

### Prices for Steps 1-4.

		<b>04</b>	<b>10</b>	<b>17</b>
<b>ET995. B</b>	<b>A</b>	\$2676	2710	2756
	<b>B</b>	\$3006	3045	3087
	<b>C</b>	\$2676	2710	2756
	<b>D A</b>	\$2689	2724	2768
	<b>B</b>	\$3020	3059	3100
	<b>C</b>	\$2689	2724	2768

### Step 5. Bezel Finish

**91** white  A +\$0

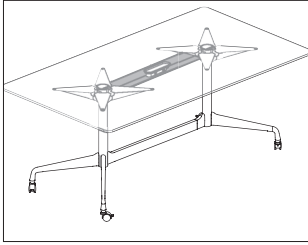
**BK** black  A +\$0

**PA** polished aluminum  A +\$0

### Step 6. Faceplate Finish

**91** white  A +\$0

**BK** black  A +\$0

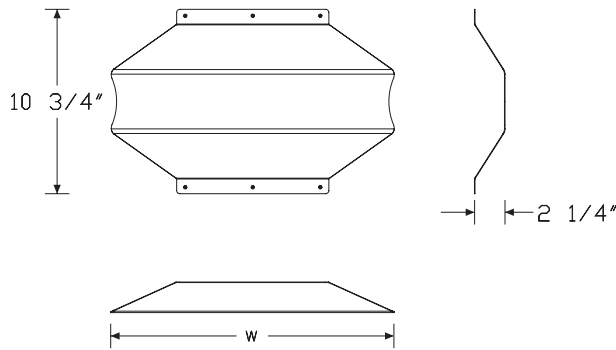


**Product Information**

**Description**

This wire shroud mounts to the underside of wood core tops only. It is specifically designed for use with Eames® round and oval power units.

**Dimensions**



**Specification Information**

**Step 1.**

**ET998.**

**Step 2. Base**

- S** segmented
- T** T-leg

**Step 3. Size**

*For segmented (S)*

- 48** 48" wide (for 48" x 96" tables)
- 36** 36" wide (for 42" x 84" and 48" x 84" tables)
- 24** 24" wide (for 42" x 78" and smaller)

*For T-leg (T)*

- 60** 60" wide (for 84" - 96" tables)
- 42** 42" wide (for 72" - 78" tables)
- 35** 35" wide (for 60" tables)

**Prices for Steps 1-3.**

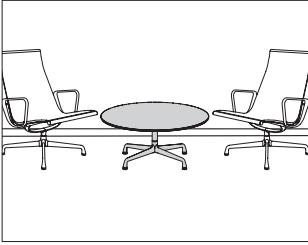
	<b>48</b>	<b>60</b>	<b>36</b>	<b>42</b>	<b>24</b>	<b>35</b>
<b>ET998. S</b>	\$326	—	299	—	206	—
<b>T</b>	—	\$392	—	260	—	233

**Step 4. Finish**

- 91** white +\$0
- BK** black +\$0

Eames® Outdoor Occasional  
Table, Round

ET530  
ET531



Eames® Outdoor Tables

**Product Information**

**Description**

This outdoor table has a stone top or a thin-profile HPL top and comes with adjustable glides. Ships knocked down with assembly required. Top and base components ship in separate packages.

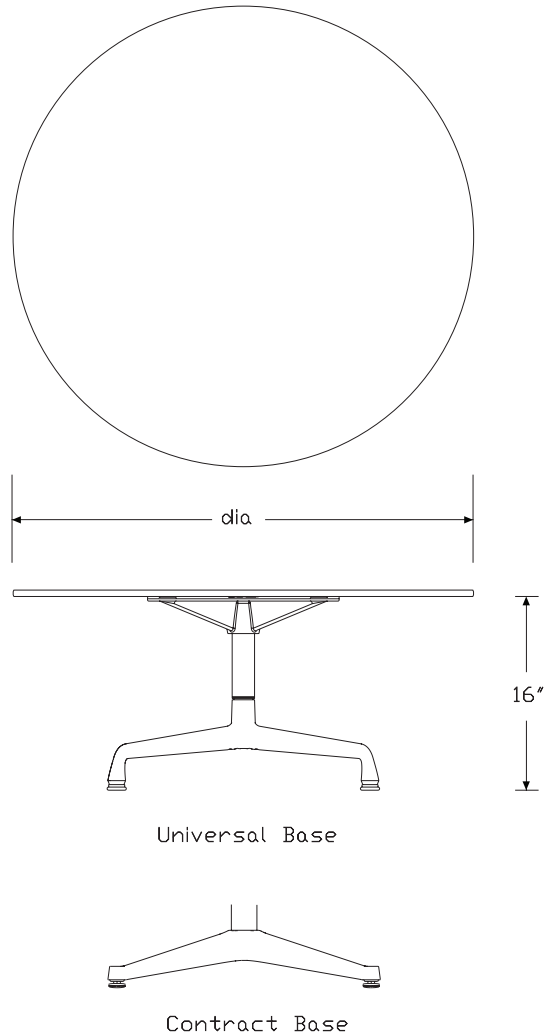
**Notes**

Stone top is  $\frac{3}{4}$ " thick and has a honed finish and full bullnose edge profile.

Thin profile HPL top is  $\frac{1}{2}$ " thick and always has a black edge.

Natural characteristics in stone cause variations in hues, veins, crystals, and distinctive marks. These variations and subtle changes seen as the stone ages are values associated with natural materials. No two tabletops are identically the same; variations in both color and veining are to be expected. Over time the stone may fade in color, staining of the surface may appear, and surface cracks, if not already visible at time of purchase, may appear. Small cracks do not affect the structure of the tabletop.

**Dimensions**



# Eames® Outdoor Occasional Table, Round *continued*

## Specification Information

### Step 1.

**ET5**

### Step 2. Height

**3** 16" high

### Step 3. Diameter

**07** 30" diameter

**08** 36" diameter

**09** 42" diameter

**10** 48" diameter

### Step 4. Base

#### For 30" diameter (07) or 36" diameter (08)

**C** contract base

**U** universal base

#### For 42" diameter (09) or 48" diameter (10)

**C** contract base

### Step 5. Surface Material

**S** stone top

**M** thin profile HPL top with black edge

### Prices for Steps 1-5.

	<b>S</b>	<b>M</b>
<b>ET5307 C</b>	\$5845	1823
<b>U</b>	\$5845	1823
<b>ET5308 C</b>	\$7050	2345
<b>U</b>	\$7050	2345
<b>ET5309 C</b>	\$10260	3648
<b>ET5310 C</b>	\$10627	3733

### Step 6. Top Finish

#### For 30" diameter (07) with stone top (S)

**5U** georgia grey marble  +\$436

**CRR** Carrara marble  +\$436

#### For 36" diameter (08) with stone top (S)

**5U** georgia grey marble  +\$526

**CRR** Carrara marble  +\$0

#### For 42" diameter (09) with stone top (S)

**5U** georgia grey marble  +\$610

**CRR** Carrara marble  -\$1000

#### For 48" diameter (10) with stone top (S)

**5U** georgia grey marble  +\$711

**CRR** Carrara marble  -\$1000

#### For thin profile HPL top with black edge (M)

**91** white  +\$0

**G1** graphite  +\$0

**BK** black  +\$0

### Step 7. Column Finish

**91** white  +\$20

**BK** black  +\$20

**G2** graphite satin  +\$20

### Step 8. Base Finish

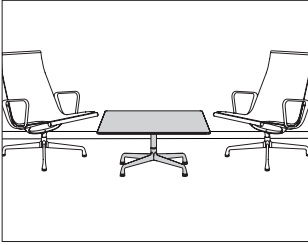
**91** white  +\$20

**BK** black  +\$20

**G2** graphite satin  +\$20

Eames® Outdoor Occasional  
Table, Square

ET530  
ET534



**Product Information**

**Description**

This outdoor table has a stone top or a thin-profile HPL top and comes with adjustable glides. Ships knocked down with assembly required. Top and base components ship in separate packages.

**Notes**

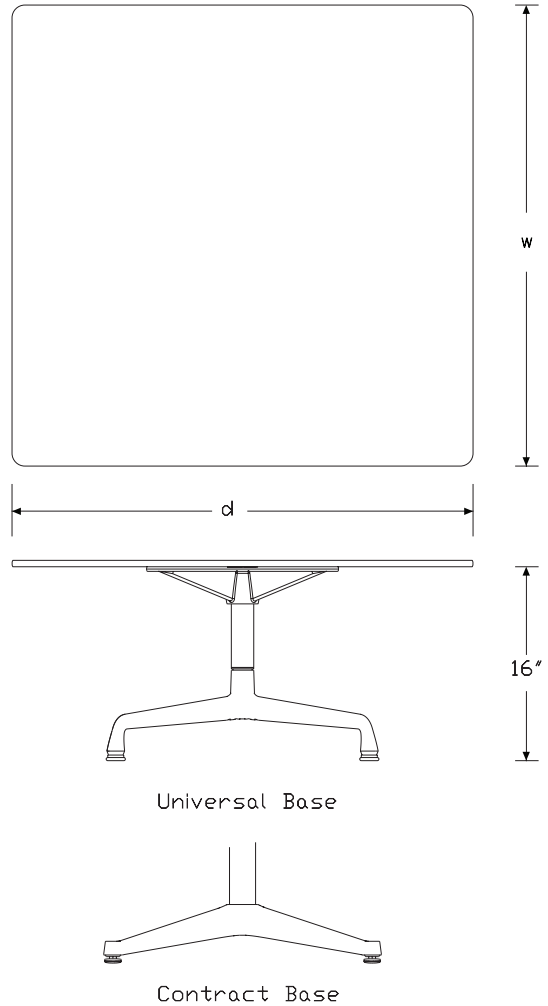
Stone top is  $\frac{3}{4}$ " thick and has a honed finish and full bullnose edge profile.

Thin profile HPL top is  $\frac{1}{2}$ " thick and always has a black edge.

Natural characteristics in stone cause variations in hues, veins, crystals, and distinctive marks. These variations and subtle changes seen as the stone ages are values associated with natural materials. No two tabletops are identically the same; variations in both color and veining are to be expected. Over time the stone may fade in color, staining of the surface may appear, and surface cracks, if not already visible at time of purchase, may appear. Small cracks do not affect the structure of the tabletop.

Eames® Outdoor Tables

**Dimensions**



# Eames® Outdoor Occasional Table, Square *continued*

## Specification Information

### Step 1.

**ET5**

### Step 2. Height

**3** 16" high

### Step 3. Depth/Width

**04** 30" deep x 30" wide

**05** 36" deep x 36" wide

**06** 42" deep x 42" wide

**48** 48" deep x 48" wide

### Step 4. Base

#### For 30" deep x 30" wide (04) or 36" deep x 36" wide (05)

**U** universal base

**C** contract base

#### For 42" deep x 42" wide (06) or 48" deep x 48" wide (48)

**C** contract base

### Step 5. Surface Material

#### For 30" deep x 30" wide (04) or 42" deep x 42" wide (06)

**S** stone top

**M** thin profile HPL top with black edge

#### For 36" deep x 36" wide (05) or 48" deep x 48" wide (48)

**M** thin profile HPL top with black edge

### Prices for Steps 1-5.

	<b>S</b>	<b>M</b>
<b>ET5304 U</b>	\$5845	1823
<b>C</b>	\$5845	1823
<b>ET5305 U</b>	—	\$2345
<b>C</b>	—	\$2345
<b>ET5306 C</b>	\$10260	3648
<b>ET5348 C</b>	—	\$3733

### Step 6. Top Finish

#### For 30" deep x 30" wide (04) with stone top (S)

**5U** georgia grey marble  +\$436

**CRR** Carrara marble  +\$436

#### For 42" deep x 42" wide (06) with stone top (S)

**5U** georgia grey marble  +\$610

**CRR** Carrara marble  -\$1000

#### For thin profile HPL top with black edge (M)

**91** white  +\$0

**G1** graphite  +\$0

**BK** black  +\$0

### Step 7. Column Finish

**91** white  +\$20

**BK** black  +\$20

**G2** graphite satin  +\$20

### Step 8. Base Finish

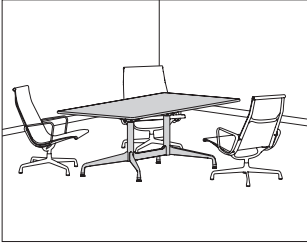
**91** white  +\$20

**BK** black  +\$20

**G2** graphite satin  +\$20

Eames® Outdoor Table, Low  
Conference Height, Rectangular

ET524  
ET525  
ET528



Eames® Outdoor Tables

**Product Information**

**Description**

This outdoor table has a stone top or a thin-profile HPL top and comes with adjustable glides. Ships knocked down with assembly required. Top and base components ship in separate packages.

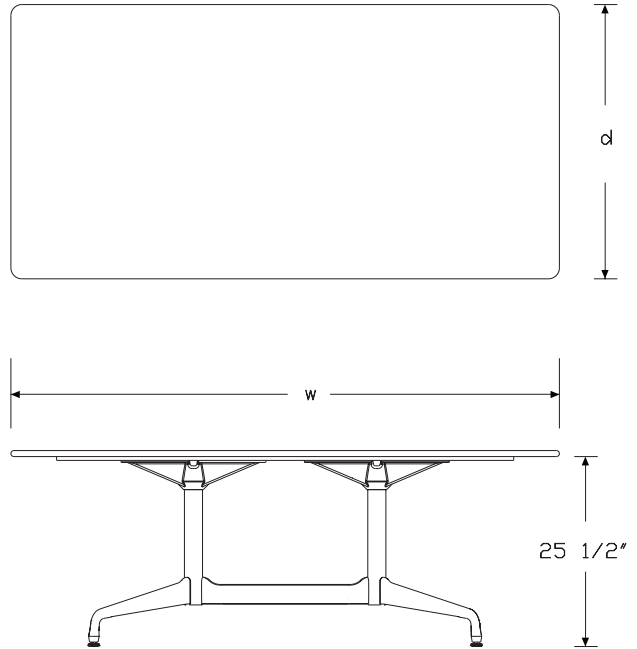
**Notes**

Stone top is  $\frac{3}{4}$ " thick and has a honed finish and full bullnose edge profile.

Thin profile HPL top is  $\frac{1}{2}$ " thick and always has a black edge.

Natural characteristics in stone cause variations in hues, veins, crystals, and distinctive marks. These variations and subtle changes seen as the stone ages are values associated with natural materials. No two tabletops are identically the same; variations in both color and veining are to be expected. Over time the stone may fade in color, staining of the surface may appear, and surface cracks, if not already visible at time of purchase, may appear. Small cracks do not affect the structure of the tabletop.

**Dimensions**



Segmented Base



# Eames® Outdoor Table, Low Conference Height, Rectangular

continued

## Specification Information

### Step 1.

**ET5**

### Step 2. Height

**2** 25½" high

### Step 3. Depth/Width

**87R** 30" deep x 60" wide

**43R** 36" deep x 72" wide

**50R** 42" deep x 66" wide

**52R** 42" deep x 78" wide

### Step 4. Base

**S** segmented base

### Step 5. Surface Material

**S** stone top

**M** thin profile HPL top with black edge

### Prices for Steps 1-5.

	<b>S</b>	<b>M</b>
<b>ET5287R S</b>	\$13740	3582
<b>ET5243R S</b>	\$15366	4344
<b>ET5250R S</b>	\$14960	4357
<b>ET5252R S</b>	\$15759	6968

### Step 6. Top Finish

#### For 30" deep x 60" wide (87R) with stone top (S)

**5U** georgia grey marble  +\$1026

**CRR** Carrara marble  -\$500

#### For 36" deep x 72" wide (43R) with stone top (S)

**5U** georgia grey marble  +\$1148

**CRR** Carrara marble  -\$500

#### For 42" deep x 66" wide (50R) with stone top (S)

**5U** georgia grey marble  +\$0

**CRR** Carrara marble  -\$500

#### For 42" deep x 78" wide (52R) with stone top (S)

**5U** georgia grey marble  +\$0

**CRR** Carrara marble  -\$800

### For thin profile HPL top with black edge (M)

**91** white  +\$0

**G1** graphite  +\$0

**BK** black  +\$0

### Step 7. Column Finish

**91** white  +\$20

**BK** black  +\$20

**G2** graphite satin  +\$20

### Step 8. Base Finish

**91** white  +\$20

**BK** black  +\$20

**G2** graphite satin  +\$20

Eames® Outdoor Table, Low  
Conference Height, Oval

ET524  
ET525  
ET528



Eames® Outdoor Tables

**Product Information**

**Description**

This outdoor table has a stone top or a thin-profile HPL top and comes with adjustable glides. Ships knocked down with assembly required. Top and base components ship in separate packages.

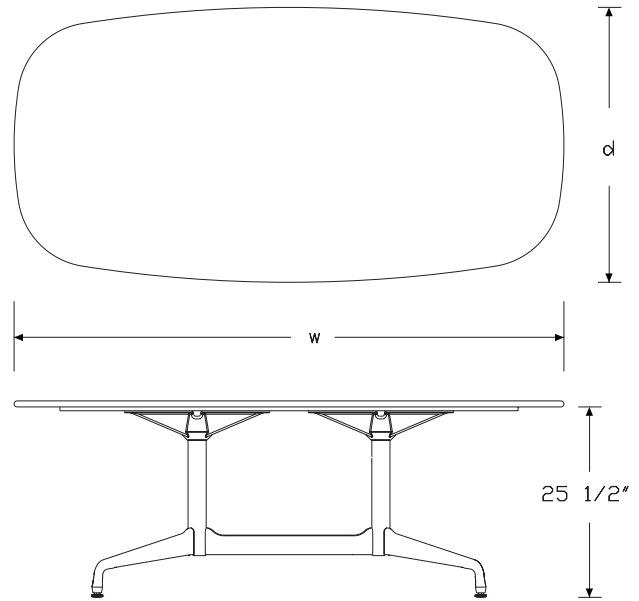
**Notes**

Stone top is  $\frac{3}{4}$ " thick and has a honed finish and full bullnose edge profile.

Thin profile HPL top is  $\frac{1}{2}$ " thick and always has a black edge.

Natural characteristics in stone cause variations in hues, veins, crystals, and distinctive marks. These variations and subtle changes seen as the stone ages are values associated with natural materials. No two tabletops are identically the same; variations in both color and veining are to be expected. Over time the stone may fade in color, staining of the surface may appear, and surface cracks, if not already visible at time of purchase, may appear. Small cracks do not affect the structure of the tabletop.

**Dimensions**



Segmented Base

# Eames® Outdoor Table, Low Conference Height, Oval *continued*

## Specification Information

### Step 1.

**ET5**

### Step 2. Height

**2** 25½" high

### Step 3. Depth/Width

**87V** 30" deep x 60" wide

**43V** 36" deep x 72" wide

**50V** 42" deep x 66" wide

**52V** 42" deep x 78" wide

### Step 4. Base

**S** segmented base

### Step 5. Surface Material

**S** stone top

**M** thin profile HPL top with black edge

### Prices for Steps 1-5.

	<b>S</b>	<b>M</b>
<b>ET5287V S</b>	\$13740	3582
<b>ET5243V S</b>	\$15366	4344
<b>ET5250V S</b>	\$14960	4357
<b>ET5252V S</b>	\$15759	6968

### Step 6. Top Finish

#### For 30" deep x 60" wide (87V) with stone top (S)

**5U** georgia grey marble  +\$700

**CRR** Carrara marble  +\$450

#### For 36" deep x 72" wide (43V) with stone top (S)

**5U** georgia grey marble  +\$0

**CRR** Carrara marble  -\$300

#### For 42" deep x 66" wide (50V) with stone top (S)

**5U** georgia grey marble  +\$1117

**CRR** Carrara marble  +\$500

#### For 42" deep x 78" wide (52V) with stone top (S)

**5U** georgia grey marble  +\$1177

**CRR** Carrara marble  +\$500

### For thin profile HPL top with black edge (M)

**91** white  +\$0

**G1** graphite  +\$0

**BK** black  +\$0

### Step 7. Column Finish

**91** white  +\$20

**BK** black  +\$20

**G2** graphite satin  +\$20

### Step 8. Base Finish

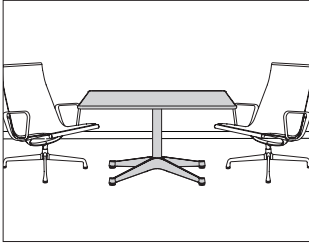
**91** white  +\$20

**BK** black  +\$20

**G2** graphite satin  +\$20

Eames® Outdoor Table, Low  
Conference Height, Square

ET520  
ET524



Eames® Outdoor Tables

**Product Information**

**Description**

This outdoor table has a stone top or a thin-profile HPL top and comes with adjustable glides. Ships knocked down with assembly required. Top and base components ship in separate packages.

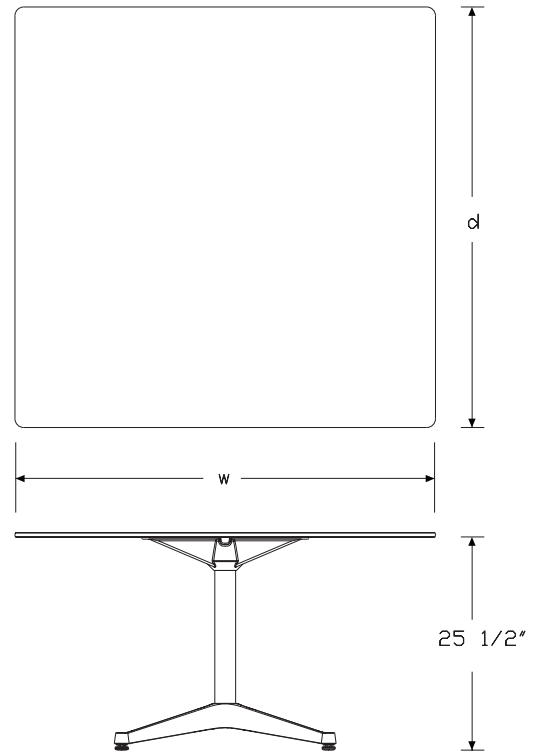
**Notes**

Stone top is  $\frac{3}{4}$ " thick and has a honed finish and full bullnose edge profile.

Thin profile HPL top is  $\frac{1}{2}$ " thick and always has a black edge.

Natural characteristics in stone cause variations in hues, veins, crystals, and distinctive marks. These variations and subtle changes seen as the stone ages are values associated with natural materials. No two tabletops are identically the same; variations in both color and veining are to be expected. Over time the stone may fade in color, staining of the surface may appear, and surface cracks, if not already visible at time of purchase, may appear. Small cracks do not affect the structure of the tabletop.

**Dimensions**



Contract Base



Universal Base

# Eames® Outdoor Table, Low Conference Height, Square

continued

Specification Information	
Step 1.	
<b>ET5</b>	<input type="checkbox"/> A
Step 2. Height	
<b>2</b>	25½" high <input type="checkbox"/> A
Step 3. Depth/Width	
<b>04</b>	30" deep x 30" wide <input type="checkbox"/> A
<b>05</b>	36" deep x 36" wide <input type="checkbox"/> A
<b>06</b>	42" deep x 42" wide <input type="checkbox"/> A
<b>48</b>	48" deep x 48" wide <input type="checkbox"/> A
Step 4. Base	
<i>For 30" deep x 30" wide (04) or 36" deep x 36" wide (05)</i>	
<b>U</b>	universal base <input type="checkbox"/> A
<b>C</b>	contract base <input type="checkbox"/> A
<i>For 42" deep x 42" wide (06) or 48" deep x 48" wide (48)</i>	
<b>C</b>	contract base <input type="checkbox"/> A
Step 5. Surface Material	
<i>For 30" deep x 30" wide (04) or 42" deep x 42" wide (06)</i>	
<b>S</b>	stone top <input type="checkbox"/> A
<b>M</b>	thin profile HPL top with black edge <input type="checkbox"/> A
<i>For 36" deep x 36" wide (05) or 48" deep x 48" wide (48)</i>	
<b>M</b>	thin profile HPL top with black edge <input type="checkbox"/> A
Prices for Steps 1-5.	
	<b>S</b> <b>M</b>
<b>ET5204 U</b>	\$5845   1823
<b>C</b>	\$5845   1823
<b>ET5205 U</b>	—   \$2345
<b>C</b>	—   \$2345
<b>ET5206 C</b>	\$10260   3648
<b>ET5248 C</b>	—   \$3733

Step 6. Top Finish	
<i>For 30" deep x 30" wide (04) with stone top (S)</i>	
<b>5U</b>	georgia grey marble <input type="checkbox"/> A    +\$436
<b>CRR</b>	Carrara marble <input type="checkbox"/> A    +\$436
<i>For 42" deep x 42" wide (06) with stone top (S)</i>	
<b>5U</b>	georgia grey marble <input type="checkbox"/> A    +\$610
<b>CRR</b>	Carrara marble <input type="checkbox"/> A    -\$1000
<i>For thin profile HPL top with black edge (M)</i>	
<b>91</b>	white <input type="checkbox"/> A    +\$0
<b>G1</b>	graphite <input type="checkbox"/> A    +\$0
<b>BK</b>	black <input type="checkbox"/> A    +\$0
Step 7. Column Finish	
<b>91</b>	white <input type="checkbox"/> A    +\$20
<b>BK</b>	black <input type="checkbox"/> A    +\$20
<b>G2</b>	graphite satin <input type="checkbox"/> A    +\$20
Step 8. Base Finish	
<b>91</b>	white <input type="checkbox"/> A    +\$20
<b>BK</b>	black <input type="checkbox"/> A    +\$20
<b>G2</b>	graphite satin <input type="checkbox"/> A    +\$20

Eames® Outdoor Table, Low  
Conference Height, Round

ET520  
ET521



Eames® Outdoor Tables

**Product Information**

**Description**

This outdoor table has a stone top or a thin-profile HPL top and comes with adjustable glides. Ships knocked down with assembly required. Top and base components ship in separate packages.

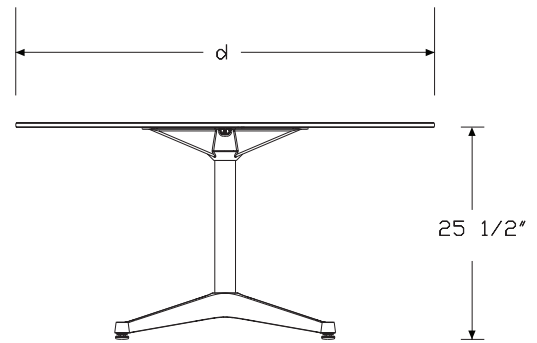
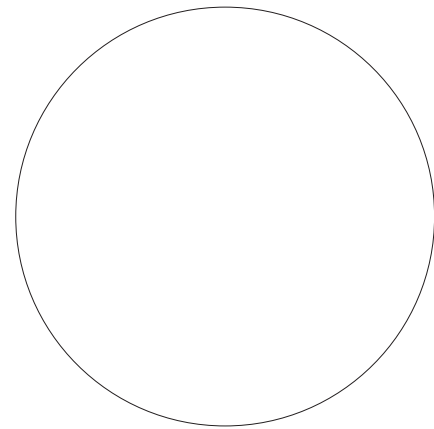
**Notes**

Stone top is  $\frac{3}{4}$ " thick and has a honed finish and full bullnose edge profile.

Thin profile HPL top is  $\frac{1}{2}$ " thick and always has a black edge.

Natural characteristics in stone cause variations in hues, veins, crystals, and distinctive marks. These variations and subtle changes seen as the stone ages are values associated with natural materials. No two tabletops are identically the same; variations in both color and veining are to be expected. Over time the stone may fade in color, staining of the surface may appear, and surface cracks, if not already visible at time of purchase, may appear. Small cracks do not affect the structure of the tabletop.

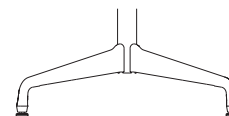
**Dimensions**



Contract Base



Universal Base



Segmented Base

# Eames® Outdoor Table, Low Conference Height, Round *continued*

## Specification Information

### Step 1.

**ET5**

### Step 2. Height

**2** 25½" high

### Step 3. Diameter

**07** 30" diameter

**08** 36" diameter

**09** 42" diameter

**10** 48" diameter

### Step 4. Base

#### For 30" diameter (07) or 36" diameter (08)

**C** contract base

**U** universal base

#### For 42" diameter (09) or 48" diameter (10)

**C** contract base

**S** segmented base

### Step 5. Surface Material

#### For 30" diameter (07) or 36" diameter (08)

**S** stone top

**M** thin profile HPL top with black edge

#### For 42" diameter (09) or 48" diameter (10) with contract base (C)

**S** stone top

**M** thin profile HPL top with black edge

#### For 42" diameter (09) or 48" diameter (10) with segmented base (S)

**M** thin profile HPL top with black edge

### Prices for Steps 1-5.

	<b>S</b>	<b>M</b>
<b>ET5207 C</b>	\$5845	1823
<b>U</b>	\$5845	1823
<b>ET5208 C</b>	\$7050	2345
<b>U</b>	\$7050	2345
<b>ET5209 C</b>	\$10260	3648
<b>S</b>	—	\$3648

<b>ET5210 C</b>	\$10627	3733
<b>S</b>	—	\$3733

### Step 6. Top Finish

#### For 30" diameter (07) with stone top (S)

**5U** georgia grey marble  +\$436

**CRR** Carrara marble  +\$436

#### For 36" diameter (08) with stone top (S)

**5U** georgia grey marble  +\$526

**CRR** Carrara marble  +\$0

#### For 42" diameter (09) with stone top (S)

**5U** georgia grey marble  +\$610

**CRR** Carrara marble  -\$1000

#### For 48" diameter (10) with stone top (S)

**5U** georgia grey marble  +\$711

**CRR** Carrara marble  -\$1000

#### For thin profile HPL top with black edge (M)

**91** white  +\$0

**G1** graphite  +\$0

**BK** black  +\$0

### Step 7. Column Finish

**91** white  +\$20

**BK** black  +\$20

**G2** graphite satin  +\$20

### Step 8. Base Finish

**91** white  +\$20

**BK** black  +\$20

**G2** graphite satin  +\$20

# Eames® Outdoor Table, Round

ET510  
ET511



Eames® Outdoor Tables

## Product Information

### Description

This outdoor table has a stone top or a thin-profile HPL top and comes with adjustable glides. Ships knocked down with assembly required. Top and base components ship in separate packages.

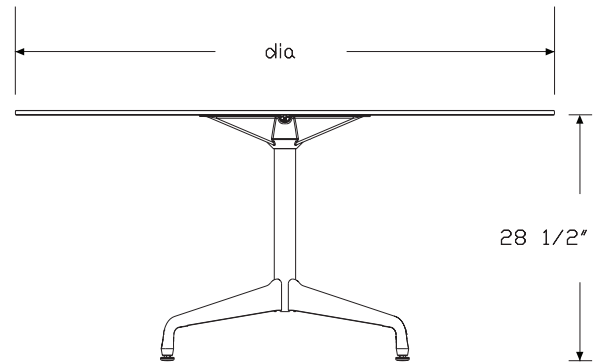
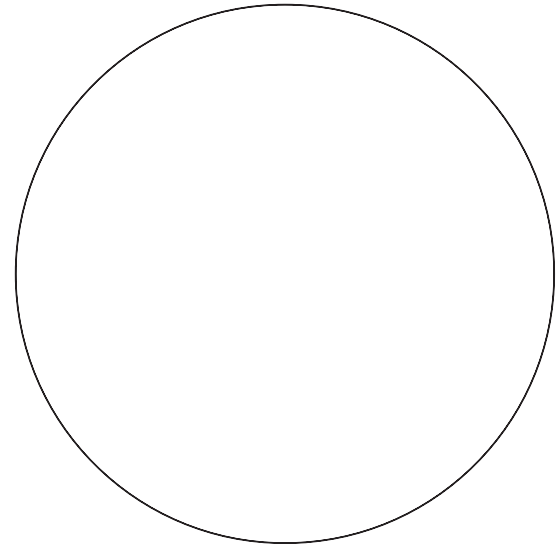
### Notes

Stone top is  $\frac{3}{4}$ " thick and has a honed finish and full bullnose edge profile.

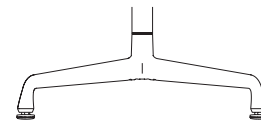
Thin profile HPL top is  $\frac{1}{2}$ " thick and always has a black edge.

Natural characteristics in stone cause variations in hues, veins, crystals, and distinctive marks. These variations and subtle changes seen as the stone ages are values associated with natural materials. No two tabletops are identically the same; variations in both color and veining are to be expected. Over time the stone may fade in color, staining of the surface may appear, and surface cracks, if not already visible at time of purchase, may appear. Small cracks do not affect the structure of the tabletop.

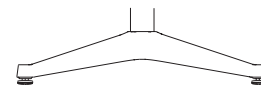
## Dimensions



Segmented Base



Universal Base



Contract Base



# Eames® Outdoor Table, Round

continued

## Specification Information

### Step 1.

**ET5**

### Step 2. Height

**1** 28½" high

### Step 3. Diameter

**07** 30" diameter

**08** 36" diameter

**09** 42" diameter

**10** 48" diameter

### Step 4. Base

#### For 30" diameter (07) or 36" diameter (08)

**C** contract base

**U** universal base

#### For 42" diameter (09) or 48" diameter (10)

**C** contract base

**S** segmented base

### Step 5. Surface Material

#### For 30" diameter (07) or 36" diameter (08)

**S** stone top

**M** thin profile HPL top with black edge

#### For 42" diameter (09) or 48" diameter (10) with contract base (C)

**S** stone top

**M** thin profile HPL top with black edge

#### For 42" diameter (09) or 48" diameter (10) with segmented base (S)

**M** thin profile HPL top with black edge

### Prices for Steps 1-5.

	<b>S</b>	<b>M</b>
<b>ET5107 C</b>	\$5845	1823
<b>U</b>	\$5845	1823
<b>ET5108 C</b>	\$7050	2345
<b>U</b>	\$7050	2345
<b>ET5109 C</b>	\$10260	3648
<b>S</b>	—	\$3648

<b>ET5110 C</b>	\$10627	3733
<b>S</b>	—	\$3733

### Step 6. Top Finish

#### For 30" diameter (07) with stone top (S)

**5U** georgia grey marble  +\$436

**CRR** Carrara marble  +\$436

#### For 36" diameter (08) with stone top (S)

**5U** georgia grey marble  +\$526

**CRR** Carrara marble  +\$0

#### For 42" diameter (09) with stone top (S)

**5U** georgia grey marble  +\$610

**CRR** Carrara marble  -\$1000

#### For 48" diameter (10) with stone top (S)

**5U** georgia grey marble  +\$711

**CRR** Carrara marble  -\$1000

#### For thin profile HPL top with black edge (M)

**91** white  +\$0

**G1** graphite  +\$0

**BK** black  +\$0

### Step 7. Column Finish

**91** white  +\$20

**BK** black  +\$20

**G2** graphite satin  +\$20

### Step 8. Base Finish

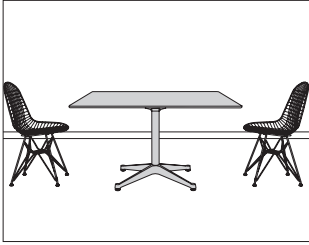
**91** white  +\$20

**BK** black  +\$20

**G2** graphite satin  +\$20

# Eames® Outdoor Table, Square

ET510  
ET514



Eames® Outdoor Tables

## Product Information

### Description

This outdoor table has a stone top or a thin-profile HPL top and comes with adjustable glides. Ships knocked down with assembly required. Top and base components ship in separate packages.

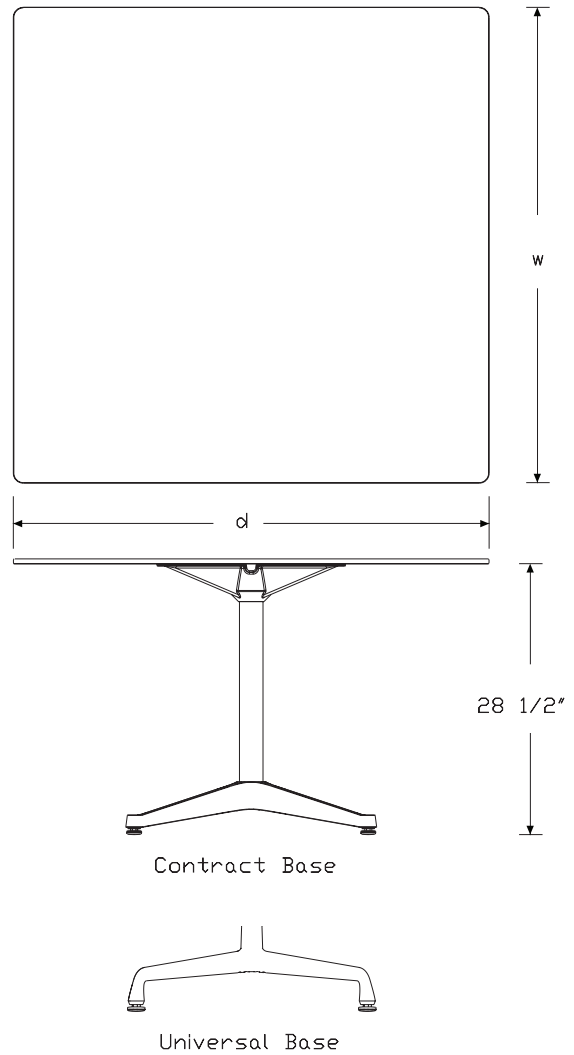
### Notes

Stone top is  $\frac{3}{4}$ " thick and has a honed finish and full bullnose edge profile.

Thin profile HPL top is  $\frac{1}{2}$ " thick and always has a black edge.

Natural characteristics in stone cause variations in hues, veins, crystals, and distinctive marks. These variations and subtle changes seen as the stone ages are values associated with natural materials. No two tabletops are identically the same; variations in both color and veining are to be expected. Over time the stone may fade in color, staining of the surface may appear, and surface cracks, if not already visible at time of purchase, may appear. Small cracks do not affect the structure of the tabletop.

## Dimensions



# Eames® Outdoor Table, Square

continued

## Specification Information

### Step 1.

**ET5**

### Step 2. Height

**1** 28½" high

### Step 3. Depth/Width

**04** 30" deep x 30" wide

**05** 36" deep x 36" wide

**06** 42" deep x 42" wide

**48** 48" deep x 48" wide

### Step 4. Base

#### For 30" deep x 30" wide (04) or 36" deep x 36" wide (05)

**U** universal base

**C** contract base

#### For 42" deep x 42" wide (06) or 48" deep x 48" wide (48)

**C** contract base

### Step 5. Surface Material

#### For 30" deep x 30" wide (04) or 42" deep x 42" wide (06)

**S** stone top

**M** thin profile HPL top with black edge

#### For 36" deep x 36" wide (05) or 48" deep x 48" wide (48)

**M** thin profile HPL top with black edge

### Prices for Steps 1-5.

	<b>S</b>	<b>M</b>
<b>ET5104 U</b>	\$5845	1823
<b>C</b>	\$5845	1823
<b>ET5105 U</b>	—	\$2345
<b>C</b>	—	\$2345
<b>ET5106 C</b>	\$10260	3648
<b>ET5148 C</b>	—	\$3733

### Step 6. Top Finish

#### For 30" deep x 30" wide (04) with stone top (S)

**5U** georgia grey marble  +\$436

**CRR** Carrara marble  +\$436

#### For 42" deep x 42" wide (06) with stone top (S)

**5U** georgia grey marble  +\$610

**CRR** Carrara marble  -\$1000

#### For thin profile HPL top with black edge (M)

**91** white  +\$0

**G1** graphite  +\$0

**BK** black  +\$0

### Step 7. Column Finish

**91** white  +\$20

**BK** black  +\$20

**G2** graphite satin  +\$20

### Step 8. Base Finish

**91** white  +\$20

**BK** black  +\$20

**G2** graphite satin  +\$20

Eames® Outdoor Table,  
Rectangular

ET514  
ET515  
ET518



Eames® Outdoor Tables

**Product Information**

**Description**

This outdoor table has a stone top or a thin-profile HPL top and comes with adjustable glides. Ships knocked down with assembly required. Top and base components ship in separate packages.

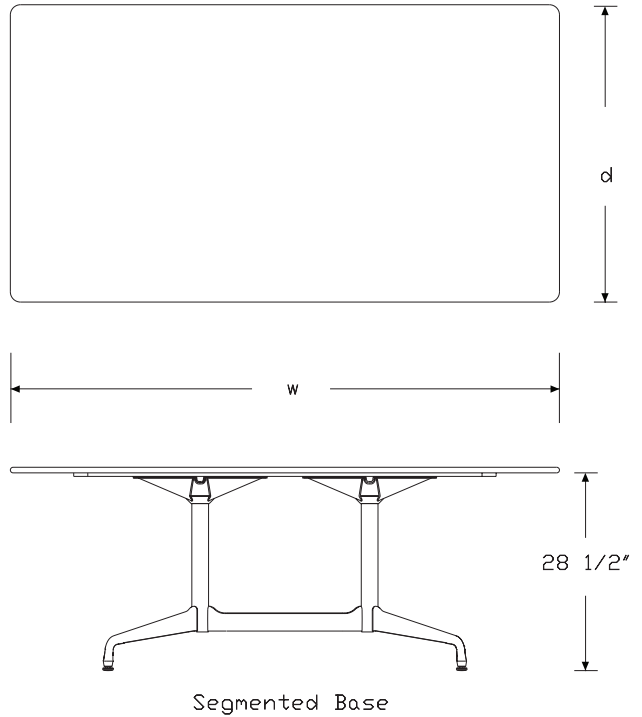
**Notes**

Stone top is  $\frac{3}{4}$ " thick and has a honed finish and full bullnose edge profile.

Thin profile HPL top is  $\frac{1}{2}$ " thick and always has a black edge.

Natural characteristics in stone cause variations in hues, veins, crystals, and distinctive marks. These variations and subtle changes seen as the stone ages are values associated with natural materials. No two tabletops are identically the same; variations in both color and veining are to be expected. Over time the stone may fade in color, staining of the surface may appear, and surface cracks, if not already visible at time of purchase, may appear. Small cracks do not affect the structure of the tabletop.

**Dimensions**



# Eames® Outdoor Table, Rectangular *continued*

## Specification Information

### Step 1.

**ET5**

### Step 2. Height

**1** 28½" high

### Step 3. Depth/Width

**87R** 30" deep x 60" wide

**43R** 36" deep x 72" wide

**50R** 42" deep x 66" wide

**52R** 42" deep x 78" wide

### Step 4. Base

**S** segmented base

### Step 5. Surface Material

**S** stone top

**M** thin profile HPL top with black edge

### Prices for Steps 1-5.

	<b>S</b>	<b>M</b>
<b>ET5187R S</b>	\$13740	3582
<b>ET5143R S</b>	\$15366	4344
<b>ET5150R S</b>	\$14960	4357
<b>ET5152R S</b>	\$15759	6968

### Step 6. Top Finish

#### For 30" deep x 60" wide (87R) with stone top (S)

**5U** georgia grey marble  +\$1026

**CRR** Carrara marble  -\$500

#### For 36" deep x 72" wide (43R) with stone top (S)

**5U** georgia grey marble  +\$1148

**CRR** Carrara marble  -\$500

#### For 42" deep x 66" wide (50R) with stone top (S)

**5U** georgia grey marble  +\$0

**CRR** Carrara marble  -\$500

#### For 42" deep x 78" wide (52R) with stone top (S)

**5U** georgia grey marble  +\$0

**CRR** Carrara marble  -\$800

### For thin profile HPL top with black edge (M)

**91** white  +\$0

**G1** graphite  +\$0

**BK** black  +\$0

### Step 7. Column Finish

**91** white  +\$20

**BK** black  +\$20

**G2** graphite satin  +\$20

### Step 8. Base Finish

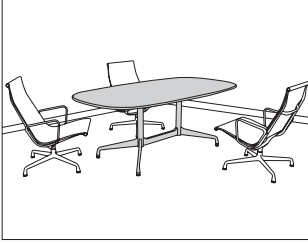
**91** white  +\$20

**BK** black  +\$20

**G2** graphite satin  +\$20

# Eames® Outdoor Table, Oval

ET514  
ET515  
ET518



Eames® Outdoor Tables

### Product Information

**Description**  
This outdoor table has a stone top or a thin-profile HPL top and comes with adjustable glides. Ships knocked down with assembly required. Top and base components ship in separate packages.

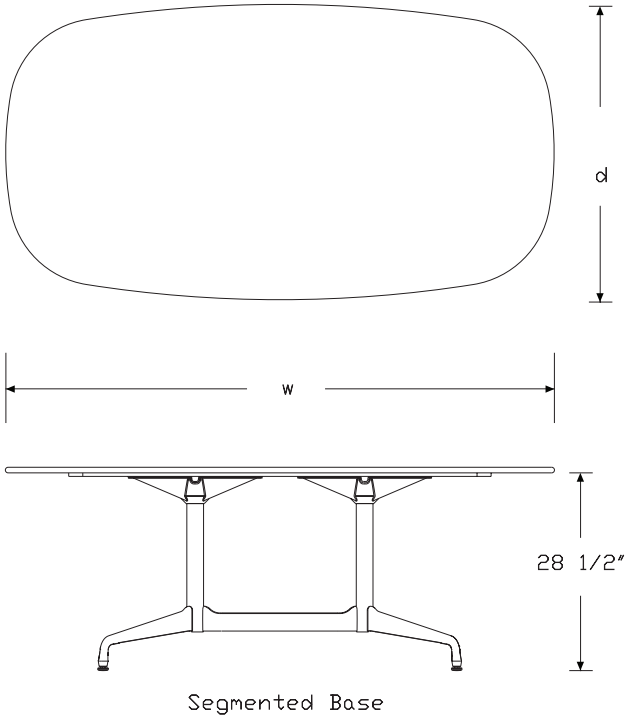
### Notes

Stone top is  $\frac{3}{4}$ " thick and has a honed finish and full bullnose edge profile.

Thin profile HPL top is  $\frac{1}{2}$ " thick and always has a black edge.

Natural characteristics in stone cause variations in hues, veins, crystals, and distinctive marks. These variations and subtle changes seen as the stone ages are values associated with natural materials. No two tabletops are identically the same; variations in both color and veining are to be expected. Over time the stone may fade in color, staining of the surface may appear, and surface cracks, if not already visible at time of purchase, may appear. Small cracks do not affect the structure of the tabletop.

### Dimensions



# Eames® Outdoor Table, Oval

continued

## Specification Information

### Step 1.

**ET5**

### Step 2. Height

**1** 28½" high

### Step 3. Depth/Width

**87V** 30" deep x 60" wide

**43V** 36" deep x 72" wide

**50V** 42" deep x 66" wide

**52V** 42" deep x 78" wide

### Step 4. Base

**S** segmented base

### Step 5. Surface Material

**S** stone top

**M** thin profile HPL top with black edge

### Prices for Steps 1-5.

	<b>S</b>	<b>M</b>
<b>ET5187V S</b>	\$13740	3582
<b>ET5143V S</b>	\$15366	4344
<b>ET5150V S</b>	\$14960	4357
<b>ET5152V S</b>	\$15759	6968

### Step 6. Top Finish

#### For 30" deep x 60" wide (87V) with stone top (S)

<b>5U</b> georgia grey marble <input type="checkbox"/>	+\$700
<b>CRR</b> Carrara marble <input type="checkbox"/>	+\$450

#### For 36" deep x 72" wide (43V) with stone top (S)

<b>5U</b> georgia grey marble <input type="checkbox"/>	+\$0
<b>CRR</b> Carrara marble <input type="checkbox"/>	-\$300

#### For 42" deep x 66" wide (50V) with stone top (S)

<b>5U</b> georgia grey marble <input type="checkbox"/>	+\$1117
<b>CRR</b> Carrara marble <input type="checkbox"/>	+\$500

#### For 42" deep x 78" wide (52V) with stone top (S)

<b>5U</b> georgia grey marble <input type="checkbox"/>	+\$1177
<b>CRR</b> Carrara marble <input type="checkbox"/>	+\$500

### For thin profile HPL top with black edge (M)

<b>91</b> white <input type="checkbox"/>	+\$0
<b>G1</b> graphite <input type="checkbox"/>	+\$0
<b>BK</b> black <input type="checkbox"/>	+\$0

### Step 7. Column Finish

<b>91</b> white <input type="checkbox"/>	+\$20
<b>BK</b> black <input type="checkbox"/>	+\$20
<b>G2</b> graphite satin <input type="checkbox"/>	+\$20

### Step 8. Base Finish

<b>91</b> white <input type="checkbox"/>	+\$20
<b>BK</b> black <input type="checkbox"/>	+\$20
<b>G2</b> graphite satin <input type="checkbox"/>	+\$20

Eames® Outdoor Table, Standing Height, Round

ET540  
ET541  
ET550  
ET551



Eames® Outdoor Tables

**Product Information**

**Description**

This outdoor table has a stone top or a thin-profile HPL top and comes with adjustable glides. Ships knocked down with assembly required. Top and base components ship in separate packages.

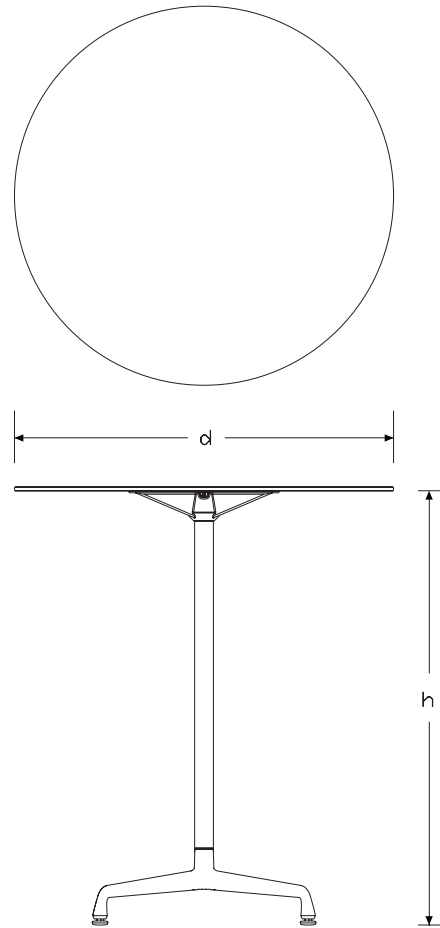
**Notes**

Stone top is  $\frac{3}{4}$ " thick and has a honed finish and full bullnose edge profile.

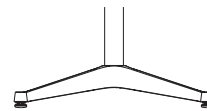
Thin profile HPL top is  $\frac{1}{2}$ " thick and always has a black edge.

Natural characteristics in stone cause variations in hues, veins, crystals, and distinctive marks. These variations and subtle changes seen as the stone ages are values associated with natural materials. No two tabletops are identically the same; variations in both color and veining are to be expected. Over time the stone may fade in color, staining of the surface may appear, and surface cracks, if not already visible at time of purchase, may appear. Small cracks do not affect the structure of the tabletop.

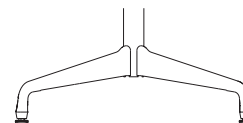
**Dimensions**



Universal Base



Contract Base



Segmented Base



# Eames® Outdoor Table, Standing Height, Round *continued*

## Specification Information

### Step 1.

**ET5**

### Step 2. Height

**4** 36" high

**5** 42" high

### Step 3. Diameter

**07** 30" diameter

**08** 36" diameter

**09** 42" diameter

**10** 48" diameter

### Step 4. Base

#### For 30" diameter (07) or 36" diameter (08)

**C** contract base

**U** universal base

#### For 42" diameter (09) or 48" diameter (10)

**C** contract base

**S** segmented base

### Step 5. Surface Material

#### For 30" diameter (07) or 36" diameter (08) with contract base (C) or universal base (U)

**S** stone top

**M** thin profile HPL top with black edge

#### For 42" diameter (09) or 48" diameter (10) with contract base (C)

**S** stone top

**M** thin profile HPL top with black edge

#### For 42" diameter (09) or 48" diameter (10) with segmented base (S)

**M** thin profile HPL top with black edge

### Prices for Steps 1-5.

	<b>S</b>	<b>M</b>
<b>ET5407 C</b>	\$5984	1964
<b>U</b>	\$5984	1964
<b>ET5408 C</b>	\$7191	2487
<b>U</b>	\$7191	2487

<b>ET5409 C</b>	\$10401	3788
<b>S</b>	—	\$3788

<b>ET5410 C</b>	\$10769	3874
<b>S</b>	—	\$3874

<b>ET5507 C</b>	\$5868	1926
<b>U</b>	\$5868	1926

<b>ET5508 C</b>	\$7051	2439
<b>U</b>	\$7051	2439

<b>ET5509 C</b>	\$10199	3714
<b>S</b>	—	\$3714

<b>ET5510 C</b>	\$10560	3799
<b>S</b>	—	\$3799

### Step 6. Top Finish

#### For 30" diameter (07) with stone top (S)

**5U** georgia grey marble  +\$436

**CRR** Carrara marble  +\$436

#### For 36" diameter (08) with stone top (S)

**5U** georgia grey marble  +\$526

**CRR** Carrara marble  +\$0

#### For 42" diameter (09) with stone top (S)

**5U** georgia grey marble  +\$610

**CRR** Carrara marble  -\$1000

#### For 48" diameter (10) with stone top (S)

**5U** georgia grey marble  +\$711

**CRR** Carrara marble  -\$1000

#### For thin profile HPL top with black edge (M)

**91** white  +\$0

**G1** graphite  +\$0

**BK** black  +\$0

### Step 7. Column Finish

**91** white  +\$20

**BK** black  +\$20

**G2** graphite satin  +\$20

Eames® Outdoor Table, Standing  
Height, Round *continued*

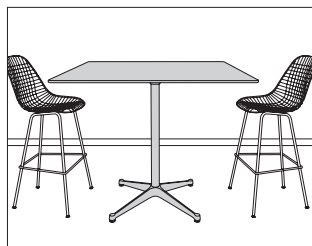
Eames® Outdoor Tables

---

Step 8. Base Finish		
<b>91</b>	white <input type="checkbox"/> A	+\$20
<b>BK</b>	black <input type="checkbox"/> A	+\$20
<b>G2</b>	graphite satin <input type="checkbox"/> A	+\$20

# Eames® Outdoor Table, Standing Height, Square

ET540  
ET544  
ET550  
ET554



## Product Information

### Description

This outdoor table has a stone top or a thin-profile HPL top and comes with adjustable glides. Ships knocked down with assembly required. Top and base components ship in separate packages.

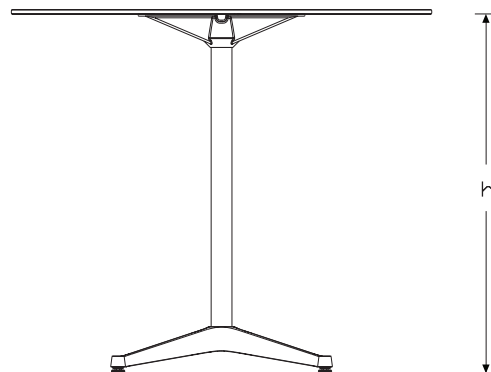
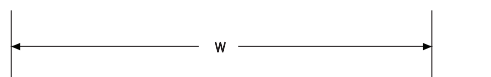
### Notes

Stone top is  $\frac{3}{4}$ " thick and has a honed finish and full bullnose edge profile.

Thin profile HPL top is  $\frac{1}{2}$ " thick and always has a black edge.

Natural characteristics in stone cause variations in hues, veins, crystals, and distinctive marks. These variations and subtle changes seen as the stone ages are values associated with natural materials. No two tabletops are identically the same; variations in both color and veining are to be expected. Over time the stone may fade in color, staining of the surface may appear, and surface cracks, if not already visible at time of purchase, may appear. Small cracks do not affect the structure of the tabletop.

## Dimensions



Contract Base



Universal Base

# Eames® Outdoor Table, Standing Height, Square *continued*

Eames® Outdoor Tables

## Specification Information

### Step 1.

**ET5** A

### Step 2. Height

**4** 36" high A

**5** 42" high A

### Step 3. Depth/Width

**04** 30" deep x 30" wide A

**05** 36" deep x 36" wide A

**06** 42" deep x 42" wide A

**48** 48" deep x 48" wide A

### Step 4. Base

*For 30" deep x 30" wide (04) or 36" deep x 36" wide (05)*

**U** universal base A

**C** contract base A

*For 42" deep x 42" wide (06) or 48" deep x 48" wide (48)*

**C** contract base A

### Step 5. Surface Material

*For 30" deep x 30" wide (04) or 42" deep x 42" wide (06)*

**S** stone top A

**M** thin profile HPL top with black edge A

*For 36" deep x 36" wide (05) or 48" deep x 48" wide (48)*

**M** thin profile HPL top with black edge A

### Prices for Steps 1-5.

	<b>S</b>	<b>M</b>
<b>ET5404 U</b>	\$5984	1964
<b>C</b>	\$5984	1964
<b>ET5405 U</b>	—	\$2487
<b>C</b>	—	\$2487
<b>ET5406 C</b>	\$10401	3788
<b>ET5448 C</b>	—	\$3799
<b>ET5504 U</b>	\$5868	1926
<b>C</b>	\$5868	1926

<b>ET5505 U</b>	—	\$2439
<b>C</b>	—	\$2439

<b>ET5506 C</b>	\$10199	3714
-----------------	---------	------

<b>ET5548 C</b>	—	\$3799
-----------------	---	--------

### Step 6. Top Finish

*For 30" deep x 30" wide (04) with stone top (S)*

**5U** georgia grey marble A +\$436

**CRR** Carrara marble A +\$436

*For 42" deep x 42" wide (06) with stone top (S)*

**5U** georgia grey marble A +\$610

**CRR** Carrara marble A -\$1000

*For thin profile HPL top with black edge (M)*

**91** white A +\$0

**G1** graphite A +\$0

**BK** black A +\$0

### Step 7. Column Finish

**91** white A +\$20

**BK** black A +\$20

**G2** graphite satin A +\$20

### Step 8. Base Finish

**91** white A +\$20

**BK** black A +\$20

**G2** graphite satin A +\$20

Eames® Outdoor Table, Standing Height, Rectangular

- ET544
- ET545
- ET548
- ET554
- ET555
- ET558



**Product Information**

**Description**

This outdoor table has a stone top or a thin-profile HPL top and comes with adjustable glides. Ships knocked down with assembly required. Top and base components ship in separate packages.

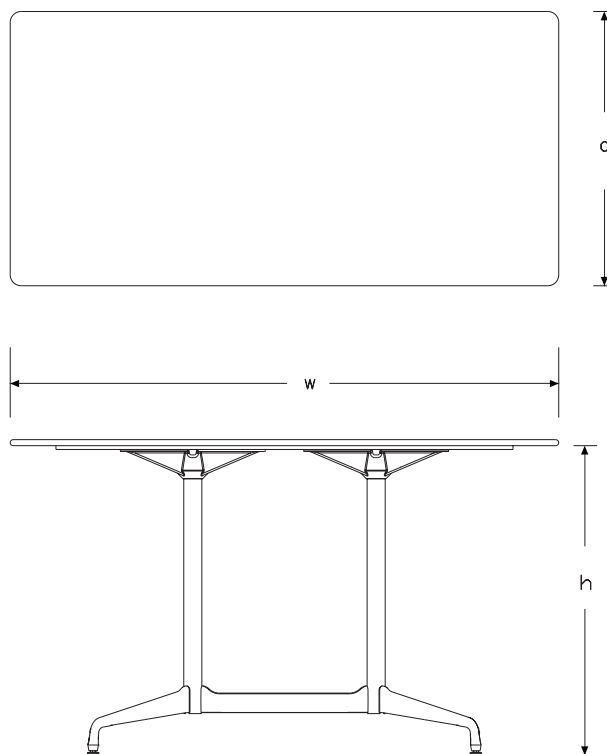
**Notes**

Stone top is 3/4" thick and has a honed finish and full bullnose edge profile.

Thin profile HPL top is 1/2" thick and always has a black edge.

Natural characteristics in stone cause variations in hues, veins, crystals, and distinctive marks. These variations and subtle changes seen as the stone ages are values associated with natural materials. No two tabletops are identically the same; variations in both color and veining are to be expected. Over time the stone may fade in color, staining of the surface may appear, and surface cracks, if not already visible at time of purchase, may appear. Small cracks do not affect the structure of the tabletop.

**Dimensions**



Segmented Base

Eames® Outdoor Tables

# Eames® Outdoor Table, Standing Height, Rectangular *continued*

Eames® Outdoor Tables

## Specification Information

### Step 1.

**ET5**

### Step 2. Height

**4** 36" high

**5** 42" high

### Step 3. Depth/Width

**87R** 30" deep x 60" wide

**43R** 36" deep x 72" wide

**50R** 42" deep x 66" wide

**52R** 42" deep x 78" wide

### Step 4. Base

**S** segmented base

### Step 5. Surface Material

**S** stone top

**M** thin profile HPL top with black edge

### Prices for Steps 1-5.

	<b>S</b>	<b>M</b>
<b>ET5487R S</b>	\$13749	3790
<b>ET5443R S</b>	\$15344	4539
<b>ET5450R S</b>	\$14947	4550
<b>ET5452R S</b>	\$15731	7112
<b>ET5587R S</b>	\$13749	3790
<b>ET5543R S</b>	\$15344	4539
<b>ET5550R S</b>	\$14947	4550
<b>ET5552R S</b>	\$15731	7112

### Step 6. Top Finish

#### *For 30" deep x 60" wide (87R) with stone top (S)*

**5U** georgia grey marble  +\$1026

**CRR** Carrara marble  -\$500

#### *For 36" deep x 72" wide (43R) with stone top (S)*

**5U** georgia grey marble  +\$1148

**CRR** Carrara marble  -\$500

#### *For 42" deep x 66" wide (50R) with stone top (S)*

**5U** georgia grey marble  +\$0

**CRR** Carrara marble  -\$500

#### *For 42" deep x 78" wide (52R) with stone top (S)*

**5U** georgia grey marble  +\$0

**CRR** Carrara marble  -\$800

#### *For thin profile HPL top with black edge (M)*

**91** white  +\$0

**G1** graphite  +\$0

**BK** black  +\$0

### Step 7. Column Finish

**91** white  +\$20

**BK** black  +\$20

**G2** graphite satin  +\$20

### Step 8. Base Finish

**91** white  +\$20

**BK** black  +\$20

**G2** graphite satin  +\$20

Eames® Outdoor Table, Standing Height, Oval

- ET544
- ET545
- ET548
- ET554
- ET555
- ET558



**Product Information**

**Description**

This outdoor table has a stone top or a thin-profile HPL top and comes with adjustable glides. Ships knocked down with assembly required. Top and base components ship in separate packages.

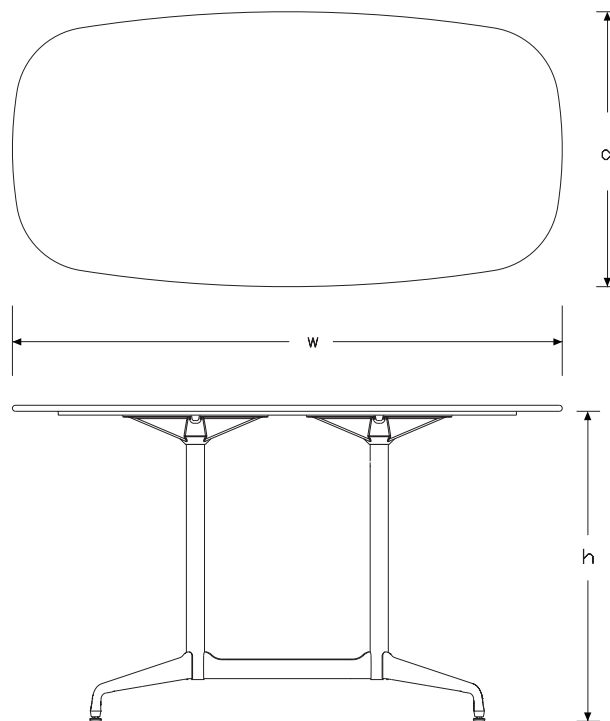
**Notes**

Stone top is 3/4" thick and has a honed finish and full bullnose edge profile.

Thin profile HPL top is 1/2" thick and always has a black edge.

Natural characteristics in stone cause variations in hues, veins, crystals, and distinctive marks. These variations and subtle changes seen as the stone ages are values associated with natural materials. No two tabletops are identically the same; variations in both color and veining are to be expected. Over time the stone may fade in color, staining of the surface may appear, and surface cracks, if not already visible at time of purchase, may appear. Small cracks do not affect the structure of the tabletop.

**Dimensions**



Segmented Base

Eames® Outdoor Tables

# Eames® Outdoor Table, Standing Height, Oval *continued*

Eames® Outdoor Tables

## Specification Information

### Step 1.

**ET5**

### Step 2. Height

**4** 36" high

**5** 42" high

### Step 3. Depth/Width

**87V** 30" deep x 60" wide

**43V** 36" deep x 72" wide

**50V** 42" deep x 66" wide

**52V** 42" deep x 78" wide

### Step 4. Base

**S** segmented base

### Step 5. Surface Material

**S** stone top

**M** thin profile HPL top with black edge

### Prices for Steps 1-5.

	<b>S</b>	<b>M</b>
<b>ET5487V S</b>	\$13749	3790
<b>ET5443V S</b>	\$15648	4629
<b>ET5450V S</b>	\$14947	4550
<b>ET5452V S</b>	\$15731	7112
<b>ET5587V S</b>	\$13749	3790
<b>ET5543V S</b>	\$15344	4539
<b>ET5550V S</b>	\$14947	4550
<b>ET5552V S</b>	\$15731	7112

### Step 6. Top Finish

#### *For 30" deep x 60" wide (87V) with stone top (S)*

**5U** georgia grey marble  +\$700

**CRR** Carrara marble  +\$450

#### *For 36" deep x 72" wide (43V) with stone top (S)*

**5U** georgia grey marble  +\$0

**CRR** Carrara marble  -\$300

#### *For 42" deep x 66" wide (50V) with stone top (S)*

**5U** georgia grey marble  +\$1117

**CRR** Carrara marble  +\$500

#### *For 42" deep x 78" wide (52V) with stone top (S)*

**5U** georgia grey marble  +\$1177

**CRR** Carrara marble  +\$500

#### *For thin profile HPL top with black edge (M)*

**91** white  +\$0

**G1** graphite  +\$0

**BK** black  +\$0

### Step 7. Column Finish

**91** white  +\$20

**BK** black  +\$20

**G2** graphite satin  +\$20

### Step 8. Base Finish

**91** white  +\$20

**BK** black  +\$20

**G2** graphite satin  +\$20



# Index by Product Name

<b>Eames® Tables</b>	
Eames® Conference Table, Oval	page(s) 103
Eames® Conference Table, Oval, Stone	126
Eames® Conference Table, Rectangular	73
Eames® Conference Table, Rectangular, Stone	124
Eames® Conference Table, Round	60
Eames® Conference Table, Round, Stone	119
Eames® Conference Table, Square	68
Eames® Conference Table, Square, Stone	122
Eames® Contract Base, T-Leg Table, Rectangular	89
Eames® Indoor/Outdoor Table, Round Herman Miller x HAY	67
Eames® Low Conference Table, Oval	42
Eames® Low Conference Table, Oval, Stone	58
Eames® Low Conference Table, Rectangular	33
Eames® Low Conference Table, Rectangular, Stone	56
Eames® Low Conference Table, Round	20
Eames® Low Conference Table, Round, Stone	51
Eames® Low Conference Table, Square	28
Eames® Low Conference Table, Square, Stone	54
Eames® Occasional Table, Round	5
Eames® Occasional Table, Round, Stone	15
Eames® Occasional Table, Square	10
Eames® Occasional Table, Square, Stone	18
Eames® Outdoor Occasional Table, Round	204
Eames® Outdoor Occasional Table, Square	206
Eames® Outdoor Table, Low Conference Height, Oval	210
Eames® Outdoor Table, Low Conference Height, Rectangular	208
Eames® Outdoor Table, Low Conference Height, Round	214
Eames® Outdoor Table, Low Conference Height, Square	212
Eames® Outdoor Table, Oval	222
Eames® Outdoor Table, Rectangular	220
Eames® Outdoor Table, Round	216
Eames® Outdoor Table, Square	218
Eames® Outdoor Table, Standing Height, Oval	231
Eames® Outdoor Table, Standing Height, Rectangular	229
Eames® Outdoor Table, Standing Height, Round	224
Eames® Outdoor Table, Standing Height, Square	227
Eames® Standing Height Table, Oval	161
Eames® Standing Height Table, Oval, Stone	189
Eames® Standing Height Table, Rectangular	141
Eames® Standing Height Table, Rectangular, Stone	186
Eames® Standing Height Table, Round	128
Eames® Standing Height Table, Round, Stone	181
Eames® Standing Height Table, Square	136
Eames® Standing Height Table, Square, Stone	184
Eames® Table Wire Shroud	203
Oval Power Module	195

Oval Power Module & Undermount Power	199
Pair of Oval Power Modules	197
Pair of Oval Power Module & Undermount Power	201
Round Dual USB Charging Unit	192
Round Power Module	193



# Index by Product Number

ET5C.	Eames® Indoor/Outdoor Table, Round Herman Miller x HAY	page(s) 67
ET104	Eames® Conference Table, Square	68
ET104	Eames® Conference Table, Square, Stone	122
ET105	Eames® Conference Table, Square	68
ET106	Eames® Conference Table, Square, Stone	122
ET107	Eames® Conference Table, Round	60
ET107	Eames® Conference Table, Round, Stone	119
ET108	Eames® Conference Table, Round	60
ET108	Eames® Conference Table, Round, Stone	119
ET109		
ET110		
ET122	Eames® Conference Table, Round	60
ET123		
ET124		
ET125		
ET126		
ET127		
ET129		
ET131		
ET142	Eames® Conference Table, Rectangular	73
ET143	Eames® Conference Table, Oval	103
ET143	Eames® Conference Table, Oval, Stone	126
ET143	Eames® Conference Table, Rectangular	73
ET143	Eames® Conference Table, Rectangular, Stone	124
ET144	Eames® Conference Table, Oval	103
ET144	Eames® Conference Table, Rectangular	73
ET145		
ET147	Eames® Conference Table, Oval	103
ET147	Eames® Conference Table, Rectangular	73
ET148	Eames® Conference Table, Square	68
ET149	Eames® Conference Table, Oval	103
ET150		
ET150	Eames® Conference Table, Oval, Stone	126
ET150	Eames® Conference Table, Rectangular	73
ET150	Eames® Conference Table, Rectangular, Stone	124
ET151	Eames® Conference Table, Oval	103
ET151	Eames® Conference Table, Rectangular	73
ET152	Eames® Conference Table, Oval	103
ET152	Eames® Conference Table, Oval, Stone	126
ET152	Eames® Conference Table, Rectangular	73
ET152	Eames® Conference Table, Rectangular, Stone	124
ET153	Eames® Conference Table, Oval	103
ET154		
ET154	Eames® Conference Table, Rectangular	73
ET155	Eames® Conference Table, Oval	103

ET155	Eames® Conference Table, Rectangular	73
ET156	Eames® Conference Table, Oval	103
ET156	Eames® Conference Table, Rectangular	73
ET157	Eames® Conference Table, Oval	103
ET157	Eames® Conference Table, Rectangular	73
ET158	Eames® Conference Table, Oval	103
ET158	Eames® Conference Table, Rectangular	73
ET160	Eames® Conference Table, Oval	103
ET160	Eames® Conference Table, Rectangular	73
ET161	Eames® Conference Table, Oval	103
ET161	Eames® Conference Table, Rectangular	73
ET162	Eames® Conference Table, Oval	103
ET162	Eames® Conference Table, Rectangular	73
ET164	Eames® Conference Table, Oval	103
ET164	Eames® Conference Table, Rectangular	73
ET166	Eames® Conference Table, Oval	103
ET166	Eames® Conference Table, Rectangular	73
ET168	Eames® Conference Table, Oval	103
ET168	Eames® Conference Table, Rectangular	73
ET170	Eames® Conference Table, Oval	103
ET170	Eames® Conference Table, Rectangular	73
ET171	Eames® Conference Table, Oval	103
ET171	Eames® Conference Table, Rectangular	73
ET172	Eames® Conference Table, Oval	103
ET172	Eames® Conference Table, Rectangular	73
ET173	Eames® Conference Table, Oval	103
ET173	Eames® Conference Table, Rectangular	73
ET174	Eames® Conference Table, Oval	103
ET174	Eames® Conference Table, Rectangular	73
ET175	Eames® Conference Table, Oval	103
ET175	Eames® Conference Table, Rectangular	73
ET176	Eames® Conference Table, Oval	103
ET176	Eames® Conference Table, Rectangular	73
ET177	Eames® Conference Table, Oval	103
ET177	Eames® Conference Table, Rectangular	73
ET178	Eames® Conference Table, Oval	103
ET178	Eames® Conference Table, Rectangular	73
ET187	Eames® Conference Table, Oval	103
ET187	Eames® Conference Table, Oval, Stone	126
ET187	Eames® Conference Table, Rectangular	73
ET187	Eames® Conference Table, Rectangular, Stone	124
ET188	Eames® Conference Table, Oval	103
ET188	Eames® Conference Table, Rectangular	73
ET189	Eames® Conference Table, Oval	103
ET189	Eames® Conference Table, Rectangular	73
ET204	Eames® Low Conference Table, Square	28
ET204	Eames® Low Conference Table, Square, Stone	54

Index by Product Number *continued*

Index: Product Number

ET205	Eames® Low Conference Table, Square	28	ET257	Eames® Low Conference Table, Rectangular	33
ET206			ET287	Eames® Low Conference Table, Oval	42
ET206	Eames® Low Conference Table, Square, Stone	54	ET287	Eames® Low Conference Table, Oval, Stone	58
ET207	Eames® Low Conference Table, Round	20	ET287	Eames® Low Conference Table, Rectangular	33
ET207	Eames® Low Conference Table, Round, Stone	51	ET287	Eames® Low Conference Table, Rectangular, Stone	56
ET208	Eames® Low Conference Table, Round	20	ET288	Eames® Low Conference Table, Oval	42
ET208	Eames® Low Conference Table, Round, Stone	51	ET288	Eames® Low Conference Table, Rectangular	33
ET209			ET289	Eames® Low Conference Table, Oval	42
ET210			ET289	Eames® Low Conference Table, Rectangular	33
ET222	Eames® Low Conference Table, Round	20	ET304	Eames® Occasional Table, Square	10
ET223			ET304	Eames® Occasional Table, Square, Stone	18
ET224			ET305	Eames® Occasional Table, Square	10
ET225			ET306		
ET226			ET306	Eames® Occasional Table, Square, Stone	18
ET227			ET307	Eames® Occasional Table, Round	5
ET229			ET307	Eames® Occasional Table, Round, Stone	15
ET231			ET308	Eames® Occasional Table, Round	5
ET242	Eames® Low Conference Table, Rectangular	33	ET308	Eames® Occasional Table, Round, Stone	15
ET243	Eames® Low Conference Table, Oval	42	ET309	Eames® Occasional Table, Round	5
ET243	Eames® Low Conference Table, Oval, Stone	58	ET309	Eames® Occasional Table, Round, Stone	15
ET243	Eames® Low Conference Table, Rectangular	33	ET310	Eames® Occasional Table, Round	5
ET243	Eames® Low Conference Table, Rectangular, Stone	56	ET310	Eames® Occasional Table, Round, Stone	15
ET244	Eames® Low Conference Table, Oval	42	ET348	Eames® Occasional Table, Square	10
ET244	Eames® Low Conference Table, Rectangular	33	ET404	Eames® Standing Height Table, Square	136
ET245			ET404	Eames® Standing Height Table, Square, Stone	184
ET247	Eames® Low Conference Table, Oval	42	ET405	Eames® Standing Height Table, Square	136
ET247	Eames® Low Conference Table, Rectangular	33	ET406		
ET248	Eames® Low Conference Table, Square	28	ET406	Eames® Standing Height Table, Square, Stone	184
ET249	Eames® Low Conference Table, Oval	42	ET407	Eames® Standing Height Table, Round	128
ET250			ET407	Eames® Standing Height Table, Round, Stone	181
ET250	Eames® Low Conference Table, Oval, Stone	58	ET408	Eames® Standing Height Table, Round	128
ET250	Eames® Low Conference Table, Rectangular	33	ET408	Eames® Standing Height Table, Round, Stone	181
ET250	Eames® Low Conference Table, Rectangular, Stone	56	ET409		
ET251	Eames® Low Conference Table, Oval	42	ET410		
ET251	Eames® Low Conference Table, Rectangular	33	ET422	Eames® Standing Height Table, Round	128
ET252	Eames® Low Conference Table, Oval	42	ET423		
ET252	Eames® Low Conference Table, Oval, Stone	58	ET424		
ET252	Eames® Low Conference Table, Rectangular	33	ET425		
ET252	Eames® Low Conference Table, Rectangular, Stone	56	ET426		
ET253	Eames® Low Conference Table, Oval	42	ET427		
ET254			ET429		
ET254	Eames® Low Conference Table, Rectangular	33	ET431		
ET255	Eames® Low Conference Table, Oval	42	ET443	Eames® Standing Height Table, Oval, Stone	189
ET255	Eames® Low Conference Table, Rectangular	33	ET443	Eames® Standing Height Table, Rectangular, Stone	186
ET256	Eames® Low Conference Table, Oval	42	ET448	Eames® Standing Height Table, Square	136
ET256	Eames® Low Conference Table, Rectangular	33	ET450	Eames® Standing Height Table, Oval, Stone	189
ET257	Eames® Low Conference Table, Oval	42	ET450	Eames® Standing Height Table, Rectangular, Stone	186

# Index by Product Number *continued*



ET452	Eames® Standing Height Table, Oval, Stone	189
ET452	Eames® Standing Height Table, Rectangular, Stone	186
ET487	Eames® Standing Height Table, Oval, Stone	189
ET487	Eames® Standing Height Table, Rectangular, Stone	186
ET504	Eames® Standing Height Table, Square	136
ET504	Eames® Standing Height Table, Square, Stone	184
ET505	Eames® Standing Height Table, Square	136
ET506		
ET506	Eames® Standing Height Table, Square, Stone	184
ET507	Eames® Standing Height Table, Round	128
ET507	Eames® Standing Height Table, Round, Stone	181
ET508	Eames® Standing Height Table, Round	128
ET508	Eames® Standing Height Table, Round, Stone	181
ET509		
ET510	Eames® Outdoor Table, Round	216
ET510	Eames® Outdoor Table, Square	218
ET510	Eames® Standing Height Table, Round, Stone	181
ET511	Eames® Outdoor Table, Round	216
ET514	Eames® Outdoor Table, Oval	222
ET514	Eames® Outdoor Table, Rectangular	220
ET514	Eames® Outdoor Table, Square	218
ET515	Eames® Outdoor Table, Oval	222
ET515	Eames® Outdoor Table, Rectangular	220
ET518	Eames® Outdoor Table, Oval	222
ET518	Eames® Outdoor Table, Rectangular	220
ET520	Eames® Outdoor Table, Low Conference Height, Round	214
ET520	Eames® Outdoor Table, Low Conference Height, Square	212
ET521	Eames® Outdoor Table, Low Conference Height, Round	214
ET522	Eames® Standing Height Table, Round	128
ET523		
ET524	Eames® Outdoor Table, Low Conference Height, Oval	210
ET524	Eames® Outdoor Table, Low Conference Height, Rectangular	208
ET524	Eames® Outdoor Table, Low Conference Height, Square	212
ET524	Eames® Standing Height Table, Round	128
ET525	Eames® Outdoor Table, Low Conference Height, Oval	210
ET525	Eames® Outdoor Table, Low Conference Height, Rectangular	208
ET525	Eames® Standing Height Table, Round	128
ET526		
ET527		
ET528	Eames® Outdoor Table, Low Conference Height, Oval	210
ET528	Eames® Outdoor Table, Low Conference Height, Rectangular	208
ET529	Eames® Standing Height Table, Round	128
ET530	Eames® Outdoor Occasional Table, Round	204
ET530	Eames® Outdoor Occasional Table, Square	206
ET531	Eames® Outdoor Occasional Table, Round	204
ET531	Eames® Standing Height Table, Round	128
ET534	Eames® Outdoor Occasional Table, Square	206
ET540	Eames® Outdoor Table, Standing Height, Round	224
ET540	Eames® Outdoor Table, Standing Height, Square	227
ET541	Eames® Outdoor Table, Standing Height, Round	224
ET543	Eames® Standing Height Table, Oval, Stone	189
ET543	Eames® Standing Height Table, Rectangular, Stone	186
ET544	Eames® Outdoor Table, Standing Height, Oval	231
ET544	Eames® Outdoor Table, Standing Height, Rectangular	229
ET544	Eames® Outdoor Table, Standing Height, Square	227
ET545	Eames® Outdoor Table, Standing Height, Oval	231
ET545	Eames® Outdoor Table, Standing Height, Rectangular	229
ET548	Eames® Outdoor Table, Standing Height, Oval	231
ET548	Eames® Outdoor Table, Standing Height, Rectangular	229
ET548	Eames® Standing Height Table, Square	136
ET550	Eames® Outdoor Table, Standing Height, Round	224
ET550	Eames® Outdoor Table, Standing Height, Square	227
ET550	Eames® Standing Height Table, Oval, Stone	189
ET550	Eames® Standing Height Table, Rectangular, Stone	186
ET551	Eames® Outdoor Table, Standing Height, Round	224
ET552	Eames® Standing Height Table, Oval, Stone	189
ET552	Eames® Standing Height Table, Rectangular, Stone	186
ET554	Eames® Outdoor Table, Standing Height, Oval	231
ET554	Eames® Outdoor Table, Standing Height, Rectangular	229
ET554	Eames® Outdoor Table, Standing Height, Square	227
ET555	Eames® Outdoor Table, Standing Height, Oval	231
ET555	Eames® Outdoor Table, Standing Height, Rectangular	229
ET558	Eames® Outdoor Table, Standing Height, Oval	231
ET558	Eames® Outdoor Table, Standing Height, Rectangular	229
ET587	Eames® Standing Height Table, Oval, Stone	189
ET587	Eames® Standing Height Table, Rectangular, Stone	186
ET990.	Round Dual USB Charging Unit	192
ET991.	Round Power Module	193
ET992.	Oval Power Module	195
ET993.	Pair of Oval Power Modules	197
ET994.	Oval Power Module & Undermount Power	199
ET995.	Pair of Oval Power Module & Undermount Power	201
ET998.	Eames® Table Wire Shroud	203



## 20-Day or Less/Assigned Lead-Time Order Information

### 20-Day or Less and Assigned Lead-Time Programs

20-day or less and assigned lead-time products are designed for established Herman Miller dealers with pre-approved credit.

Products are distributed from multiple manufacturing facilities across the United States. All products and options not designated by an Assigned Lead-Time icon  will ship in 20 business days or less after being acknowledged by Herman Miller. Products and options designated by an  are on the assigned lead-time program and will ship in 20 days, less than 20 days, or more than 20 days from order acknowledgement.

### Ordering Procedure

Please place orders through Order Manager. If this is not available to you, place orders through mail or fax. Verbal purchase orders will not be accepted.

Order Entry fax number for Meridian®

Filing and Storage: (616) 846 9236.

Order Entry fax number for all other products:

(616) 654 3085.

For more information, contact your Customer Care representative at:  
(866) 854 3048 ext 3400.

### Shipments and Delivery

Per Herman Miller Terms and Conditions.

### Changes and Cancellation

Per Herman Miller Terms and Conditions.





# Stain-to-Match Program

## Stain-to-Match Program

### Program Overview

The Stain-to-Match program gives you the option of using veneer finishes that are not listed in the standard offering. The program allows Herman Miller to match a customer's existing recut or natural veneer, or create a new finish that is unique to an installation.

Specific information on approval, ordering, pricing, and warranty for the Stain-to-Match program is listed below. Questions and requests for assistance may be directed to Herman Miller Options at:

(800) 654 3910

### Ordering Products with Stain-to-Match Veneers

1. Fill out the Options Stain-to-Match Request Form and send along with a color sample (2" x 3" minimum) to the Herman Miller Options Applications Team at the address provided on the form. The form can be found on Omni.
2. Within 7-10 working days, Herman Miller Options will send a sample of the color-matched stain on Herman Miller veneer to the requester for the customer's signed approval.
3. If the sample meets the customer's approval, sign the reverse side of the sample, scan and email the approval to:  
options@hermanmiller.com.
4. After the stain has been approved, a formal quotation with special number and pricing can be provided, or the product can be specified through the Vary Easy program, if available. Work with the Options team on final product needs and how to specify.
5. A purchase order can then be placed.

## Stain-to-Match Warranty

Herman Miller warrants its products to be free from defects in craftsmanship from the date of delivery for the applicable warranty period. Herman Miller is responsible for the physical properties of the veneers available through the Stain-to-Match program, which include:

- STA: Stain-to-Match on Recut Ash
- STC: Stain-to-Match on Cherry
- STD: Stain-to-Match on Oak
- STK: Stain-to-Match on Reltech Anigre (Geiger)
- STP: Stain-to-Match on Maple
- STU: Stain-to-Match on Walnut (Geiger)

See your specification tool for product specific finish offering limitations.

For more information about our products and services or to see a list of dealers, please visit us at [HermanMiller.com](http://HermanMiller.com) or call (800) 851 1196.

© 2024 Herman Miller, Inc., Zeeland, Michigan

#### Distribution Rights

Working together since 1956, Herman Miller and Vitra are the authentic sources of designs by Charles and Ray Eames, Alexander Girard, and George Nelson. All the designs shown in this book are protected by law. Herman Miller has obtained all rights to make and sell these designs. Also, Herman Miller holds exclusive worldwide manufacturing and distribution rights for these products with the following exceptions:

Charles and Ray Eames, George Nelson, and Alexander Girard—Worldwide distribution rights for furniture in all areas except Europe and the Middle East. For those areas, please contact Vitra.

Isamu Noguchi—Worldwide distribution rights for the Noguchi Rudder Table. Distribution rights for the Noguchi Table in North America and Central America only. For all other areas, please contact Vitra.

Magis—Exclusive distribution rights in the US and Canada. For all other areas, please contact Magis.

© **HermanMiller**, 3D Intelligent, 8Z Pellicle, AO, Action Office, Aeron, Aside, Bubble Lamps, Canvas Office Landscape, Caper, Celle, Cosm, Co/Struc, Daisyone, Distil, Eames, Eco-Dematerialized, Embody, Envelop, Ethospace, Exclave, Fine-Tune, FlexFront, Flo, Formcoat, Formwork, Ground Cloth, Intent, Kinemat, Layout Studio, Lino, Live Unframed, Living Office, Maharam, Meridian, Mirra, Motia, Nelson, Pari, Pellicle, Perspectives, Plex, PostureFit, PostureFit SL, Public Office Landscape, Sayl, Setu, Striad, Tu, Ubi, Verus, Wishbone, Y-Tower and Zeph are among the registered trademarks of Herman Miller, Inc., and its owned subsidiaries.

™ About Face, AireWeave, Airia, Ambit, Asari Chair by HermanMiller, Backfit, Bublelactack, Burdick Group, Butterfly Back, Canvas Vista, Cellular Suspension, Commend, Compass, Connect, DOT, Duracare, Durawrap, EnhancedAccess, Everywhere, Flex-Edge, Flute, Harmonic, Headway, Herman Miller Select, Hopsak 2, Iota, Keyless Entry, Latitude, Logic Mini, Logic Power Access Solutions, Lyris, Lyris 2, Made-to-Measure Storage, Mora, Multiscrim, Nevi, OE1, OE1 Workspace Collection, Overlay, Pixelated Support, Pronta, Renew, Sense, Soft Pad, Stackable, Stackable Storage, Swoop, Thrive, Tone, TriFlex, Twist and Wireframe are among the trademarks of Herman Miller, Inc., and its owned subsidiaries.

SM Herman Miller Options is among the service marks of Herman Miller, Inc.

AAP™ is a trademark of Extron Electronics.

Alexander Girard® is a registered trademark of The Alexander Girard Estate.

Chemsurf® is a registered trademark of Wilsonart International.

Corian® is a registered trademark of E. I. du Pont de Nemours and Company Corporation.

Crypton® is a registered trademark of Crypton, Inc.

DACRON® is a registered trademark of INVISTA S.a r.l.

Danzer® is a registered trademark of Danzer Holding AG.

Decora® is a registered trademark of Leviton Manufacturing Co., Inc.

Edelman® Leather is a registered trademark of Edelman Leather, Inc.

Extron® is a registered trademark of RGB Systems, Inc.

FENIX NTM® is a registered trademark of Arpa Industriale S.p.A.

FLEXNET™ is a trademark of Milliken & Company.

Floor Saver Glide® is a registered trademark of Carpin Manufacturing, Inc.

Forest Stewardship Council® is a registered trademark of the Forest Stewardship Council A.C. (FSC). We are FSC® certified (FSC® C102895).

FSC® is a registered trademark of the Forest Stewardship Council A.C. (FSC).

Geiger® is a registered trademark, and Bumper™, Saiba™, and Ward Bennett™ are trademarks, of Geiger International.

Hang-It-All® is a registered trademark of Lucia Eames Demetrios, d.b.a. Eames Office.

Holophane® is a registered trademark of Holophane.

Ingeo™ is a trademark of Cargill Dow LLC.

iPad® and Mac mini® are registered trademarks of Apple Inc.

Leviton® is a registered trademark of Leviton Manufacturing Co., Inc.

LifeSize® is a registered trademark of LifeSize Communications, Inc.

Logitech G® is a registered trademark of Logitech International S.A.

Magis®, Bombo®, and Me Too® are registered trademarks of Magis S.p.A.

MicrobeCare™ is a trademark of Parasol Medical LLC.

Microsoft® and Natural® Keyboard are registered trademarks of Microsoft Corporation.

Noguchi® and the Noguchi table configuration (trade dress) are registered trademarks, and Rudder Table™ is a trademark, of The Isamu Noguchi Foundation and Garden Museum.

Place Textiles® is a registered trademark of Place Textiles.

Sunbrella® is a registered trademark of Glen Raven, Inc.

SuperSeat™ is a trademark of Dahti Seating, a division of ITW.

Valor™ is among the trademarks owned by Nemschoff, Inc.