

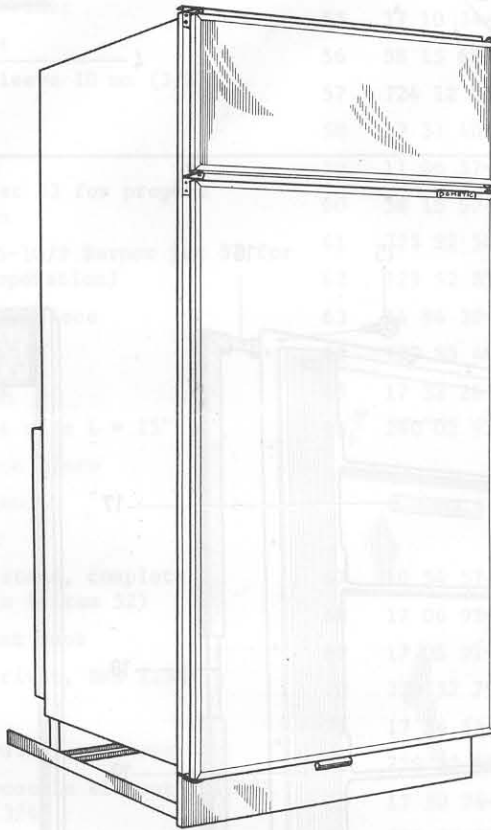
# Dometic SERVICE

When ordering spare parts always state:

MODEL • QUANTITY • PART NUMBER • DESCRIPTION

For electric details also:

VOLTAGE • WATTAGE



Product No.

926 0011

926 0012

926 0013

926 0014

926 0015

926 0016

926 0017

926 0018

926 0019

926 0020

926 0021

926 0022

926 0023

926 0024

( see page 8 )

## SPARE PARTS LIST

REFRIGERATOR  
for trailer installation

# M70b

Replaces editions 3, 4 and 5 of earlier Spare Parts List for M70b

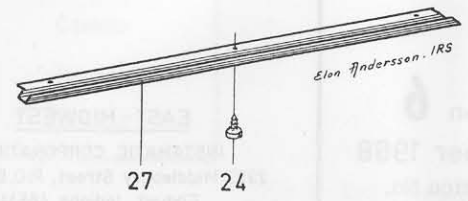
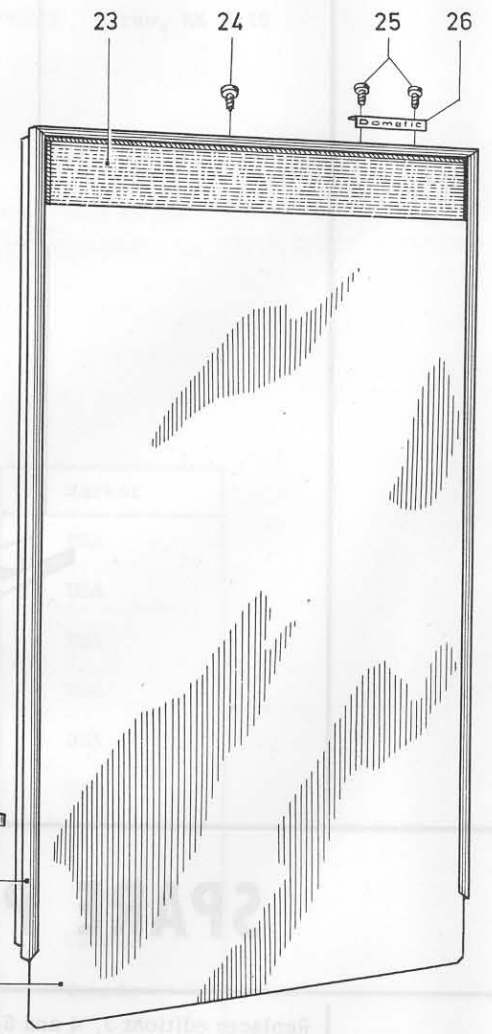
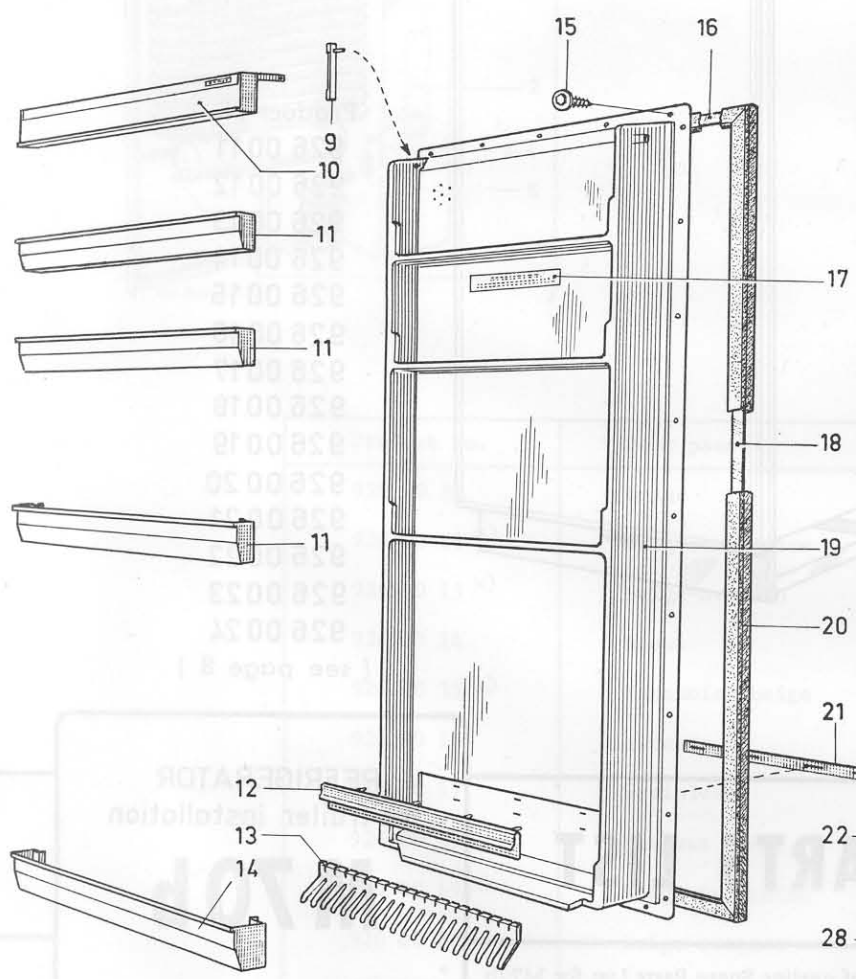
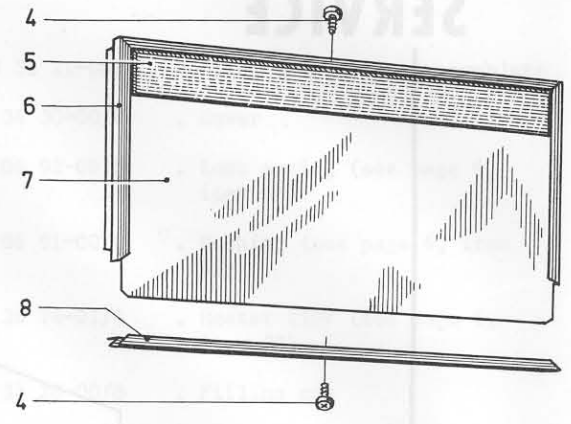
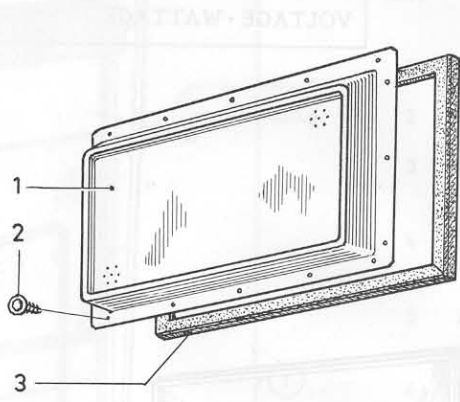
Edition **6**  
November 1968  
Publication No.  
3418/Service

EAST-MIDWEST  
INSTAMATIC CORPORATION  
2323 Middlebury Street, P.O. Box 456  
Elkhart, Indiana 46514

WEST COAST  
WARD & SON, INC.,  
15343 Proctor Avenue, P.O. Box 3505  
City of Industry, Calif. 91744

CANADA  
GREG LUND PRODUCTS LIMITED  
521 North Service Road, P.O. Box 220  
Oakville, Ontario

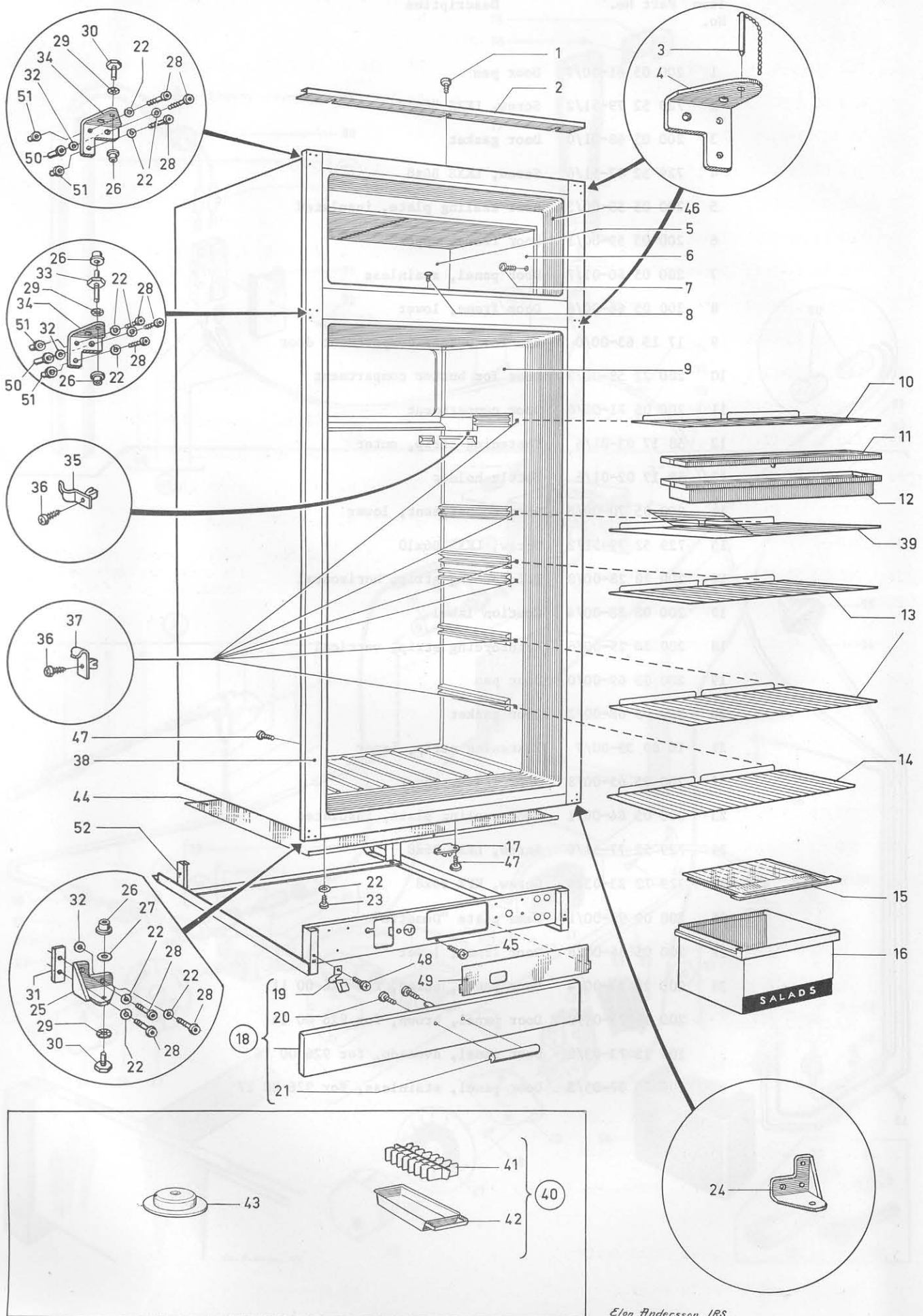
DOORS



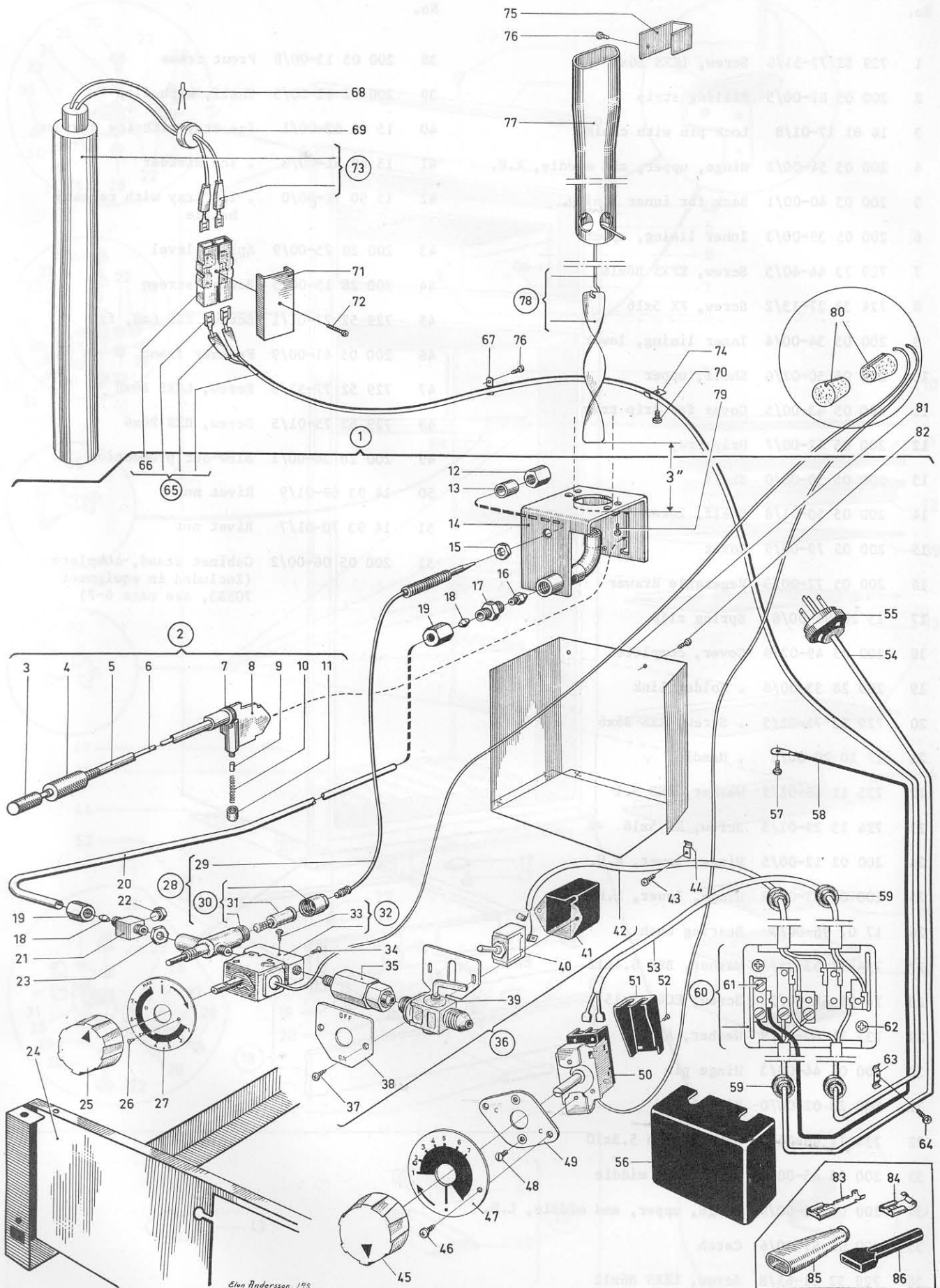
Elon Andersson. IRS

Item No.	Part No.	Description
1	200 05 61-00/7	Door pan
2	729 52 79-51/2	Screw, LKXS B6x10
3	200 05 68-01/0	Door gasket
4	729 52 77-51/6	Screw, LKXS B6x8
5	200 05 58-00/3	Door sealing plate, insulated
6	200 05 59-00/1	Door frame, upper
7	200 05 60-01/7	Door panel, stainless
8	200 05 66-00/6	Door frame, lower
9	17 15 63-00/0	Pin for butter compartment door
10	200 22 58-00/8	Door for butter compartment
11	200 05 71-00/6	Door compartment
12	58 17 03-01/4	Fastening strip, outer
13	58 17 02-01/6	Bottle holder
14	200 05 70-00/8	Door compartment, lower
15	729 52 79-51/2	Screw, LKXS B6x10
16	200 28 28-00/8	Reinforcing strip, horizontal
17	200 08 88-00/4	Caution label
18	200 28 29-00/6	Reinforcing strip, vertical
19	200 05 69-00/0	Door pan
20	200 05 68-00/2	Door gasket
21	16 89 39-00/7	Fastening strip, inner
22	200 05 65-00/8	Door frame, upper
23	200 05 64-00/1	Door sealing plate, insulated
24	729 52 77-51/6	Screw, LKXS B6x8
25	729 72 23-03/9	Screw, KFX B4x8
26	200 09 98-00/1	Name plate "Dometic"
27	200 05 66-00/6	Door frame, lower
28	200 28 73-00/4	Door panel, beige, for 926 00 11
	200 28 73-01/2	Door panel, brown, for 926 00 14
	200 28 73-03/8	Door panel, avocado, for 926 00 16
	200 05 67-05/3	Door panel, stainless, for 926 00 17

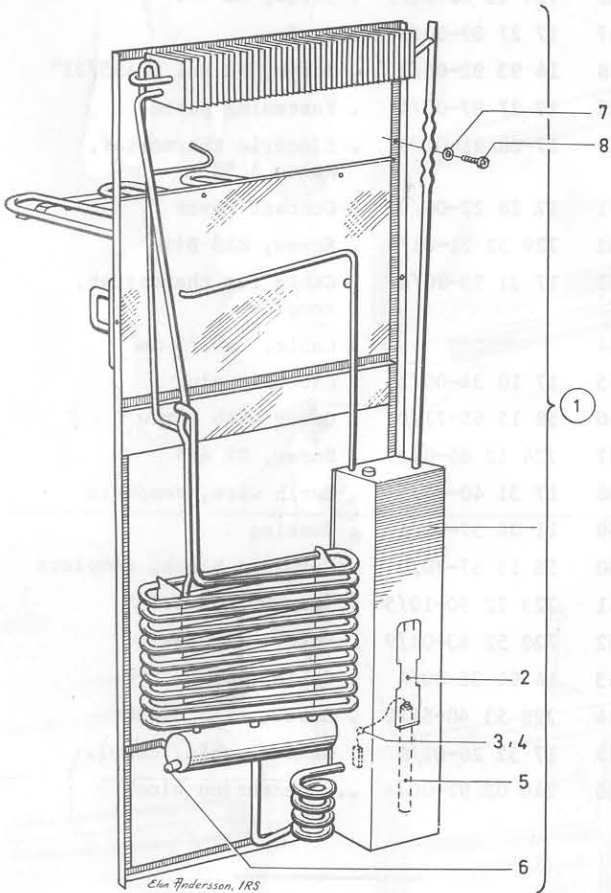
CABINET



Item No.	Part No.	Description	Item No.	Part No.	Description
1	729 52 77-51/6	Screw, LKXS B6x8	38	200 05 13-00/8	Front frame
2	200 05 81-00/5	Filling strip	39	200 02 13-00/5	Shelf, with flap
3	16 81 17-01/8	Lock pin with chain	40	15 89 62-00/1	Ice tray with ice divider
4	200 05 54-00/2	Hinge, upper, and middle, R.H.	41	15 89 61-00/3	. Ice divider
5	200 05 40-00/1	Back for inner lining	42	15 90 71-00/0	. Ice tray with release handle
6	200 05 39-00/3	Inner lining, upper	43	200 28 75-00/9	Spirit level
7	729 73 44-40/5	Screw, KFXS B8x16	44	200 28 15-00/5	Bottom screen
8	724 33 27-13/2	Screw, FX 5x16	45	729 52 77-01/1	Screw, RXS 6x8, fz.
9	200 05 34-00/4	Inner lining, lower	46	200 05 41-00/9	Freezer front
10	200 05 50-02/6	Shelf, upper	47	729 52 77-51/6	Screw, LKXS B6x8
11	200 05 43-00/5	Cover for drip tray	48	729 52 75-01/5	Screw, RXS B6x6
12	200 05 42-00/7	Drip tray	49	200 28 36-00/1	Blow-out protection
13	200 05 50-00/0	Shelf	50	14 93 69-01/9	Rivet nut
14	200 05 50-01/8	Shelf, lower	51	14 93 70-01/7	Rivet nut
15	200 05 79-00/9	Cover	52	200 05 06-00/2	Cabinet stand, complete (Included in equipment 70EB3, see page 6-7)
16	200 05 77-00/3	Vegetable drawer			
17	15 26 88-00/8	Spring clip			
18	200 05 49-02/8	Cover, complete			
19	200 28 33-00/8	. Holder link			
20	729 52 75-01/5	. Screw, RXS B6x6			
21	17 10 20-00/1	. Handle			
22	735 11 46-01/9	Washer, FBB 5.1			
23	724 13 29-01/5	Screw, RX 5x16			
24	200 03 12-00/5	Hinge, lower, R.H.			
25	200 03 13-00/3	Hinge, lower, L.H.			
26	17 07 96-00/7	Bearing bush			
27	734 11 53-01/5	Washer, BRB 6.4x12			
28	14 93 68-00/3	Screw, EC6S 5x15			
29	735 21 60-01/9	Washer, AZ 7.4			
30	200 05 44-00/3	Hinge pin			
31	200 20 02-00/0	Plate nut			
32	734 11 46-04/6	Washer, BRB 5.3x10			
33	200 05 45-00/0	Hinge pin, middle			
34	200 05 55-00/9	Hinge, upper, and middle, L.H.			
35	200 05 47-00/6	Catch			
36	729 52 81-65/8	Screw, LKXS B6x12			
37	200 05 46-00/8	Shelf stopper			



Item No.	Part No.	Description	Item No.	Part No.	Description
1	17 33 60-00/9	Equipment 70EB3, complete	46	724 12 85-01/9	. Screw, RX 4x6
2	17 21 77-00/8	. Spark lighter 530, complete	47	17 27 89-00/0	. Scale
3	17 07 85-00/0	.. Turning knob	48	14 93 92-00/3	. Screw, FX No. 6BAx5/32"
4	27 01 31-00/6	.. Lock sleeve	49	17 27 87-00/4	. Fastening plate
5	17 21 79-00/4	.. Guide tube	50	17 28 21-01/9	. Electric thermostat, Ranco A 52
6	17 21 78-00/6	.. Shaft	51	17 28 22-00/9	. Contact cover
7	27 01 30-00/8	.. Knurled wheel	52	729 52 21-01/9	. Screw, RXS B4x6
8	27 05 17-00/6	.. Support	53	17 31 93-00/4	. Cable for thermostat, complete
9	27 01 27-00/4	.. Flint for spark lighter	54	—	. Cable, 3x0.75 mm <sup>2</sup>
10	27 01 37-00/3	.. Pressure spring	55	17 10 34-00/2	. Electric plug
11	17 07 81-00/9	.. Spring holder	56	58 15 65-71/0	. Cover with screw
12	17 08 27-00/0	. Union nut	57	724 12 85-01/9	. Screw, RX 4x6
13	17 33 44-00/3	. Spacer sleeve 10 mm (3/8")	58	17 31 40-00/5	. Earth wire, complete
14	17 32 21-00/3	. Burner	59	11 06 57-00/4	. Bushing
15	16 93 86-00/0	. Nut M8x1	60	58 15 57-70/9	. Terminal block, complete
16	17 33 45-12/5	. Burner jet 53 for propane operation (17 33 45-10/9 Burner jet 51 for butane operation)	61	723 22 50-10/5	.. Screw, KCS 3.5x5
17	17 32 22-00/1	. Connection piece	62	729 52 83-01/9	. Screw, RXS B6x16
18	17 32 13-00/0	. Olive	63	14 94 38-00/4	. Cable clip
19	17 32 15-00/5	. Union nut	64	729 53 40-51/2	. Screw, LKXS B8x10
20	17 33 65-00/8	. Gas inlet pipe L = 15"	65	17 32 26-02/8	. Heater cable, compl.
21	17 32 14-00/8	. Connection piece	66	240 02 97-00/4	.. Connection block
22	16 93 80-00/3	. Plug screw			
23	17 33 66-00/6	. Lock nut			
24	200 05 06-00/2	. Cabinet stand, complete (see page 4 item 52)	67	10 54 57-00/6	Cable clip
25	17 26 91-00/8	. Thermostat knob	68	17 06 92-00/8	Lock spring
26	722 31 81-12/9	. Tubular rivet, BRB 2.5x4	69	17 06 91-00/0	Bushing
27	17 27 99-00/9	. Scale	70	729 52 79-01/7	Screw, RXS B6x10
28	17 07 91-00/8	. Safety valve, complete	71	17 34 55-00/7	Cover
29	16 93 72-00/0	.. Thermo-couple element TE12D3Z L = 17 3/4"	72	729 52 83-01/9	Screw, RXS B6x16
30	17 07 55-00/3	.. Safety valve STG 1/6 S4	73	17 30 74-01/4	Heater 512, 110V, complete
31	200 09 99-00/9	... Safety valve magnet	74	624 70-00/0	Cable clip
32	17 27 92-00/4	. Gas thermostat, Ranco V 35	75	200 09 65-00/0	Flue support
33	17 28 19-01/9	.. By-pass screw, S22	76	729 52 75-01/5	Screw, RXS B6x6
34	14 96 00-00/9	. Screw	77	17 21 72-00/9	Flue
35	17 28 10-00/4	. Gas filter with nipple and nut	78	17 21 74-00/5	Baffle
36	17 31 14-00/0	. Cut-off valve, with switch and cable	79	14 89 78-00/0	Screw, RX 1/4"x5/8"
37	729 52 77-01/1	.. Screw, RXS B6x8	80	15 02 45-00/9	Plug
38	17 16 27-01/1	.. Sign	81	17 21 84-00/4	Gas burner cover
39	17 31 00-00/9	.. Cut-off valve, with holder	82	729 52 75-01/5	Screw, RXS B6x6
40	17 21 68-00/7	.. Switch	83	760 38 57-00/9	Tab connector, straight
41	17 31 01-00/7	.. Protection cover	84	760 48 55-00/2	Tab connector, angle
42	17 32 27-00/0	.. Cable for switch, complete	85	240 02 98-00/2	Protection sleeve
43	729 53 40-51/2	. Screw, LKXS B8x10	86	29 28 95-00/0	Protection sleeve
44	14 89 66-00/5	. Cable clip			
45	17 26 91-00/8	. Thermostat knob			



Item No.	Part No.	Description
1	928 51 21-00/9	Cooling unit, 512 A1, complete
2	17 34 30-00/0	. Cover
3	17 06 92-00/3	. Lock spring (see page 6, item 68)
4	17 06 91-00/0	. Bushing (see page 6, item 69)
5	17 30 74-01/4	. Heater 110V (see page 6, item 73)
6	17 32 28-00/8	. Filling cap
7	735 11 46-01/9	Washer, FBB 5.1
8	724 13 29-01/5	Screw, RX 5x15

Product No.	Door panel	Market
926 00 11	beige	USA
926 00 12 x)	beige-turquoise	USA
926 00 13 x)	beige-avocado	USA
926 00 14	brown	USA
926 00 15 x)	turquoise-beige	USA
926 00 16	avocado	USA
926 00 17	stainless	USA
926 00 18	without panel	USA
926 00 19 x)	beige-turquoise	Canada
926 00 20 x)	beige-avocado	Canada
926 00 21 x)	turquoise-beige	Canada
926 00 22 x)	avocado-beige	Canada
926 00 23 x)	stainless	Canada
926 00 24	without panel	Canada

820 46 53

x) = Out of production.

John Petterssons-Offset