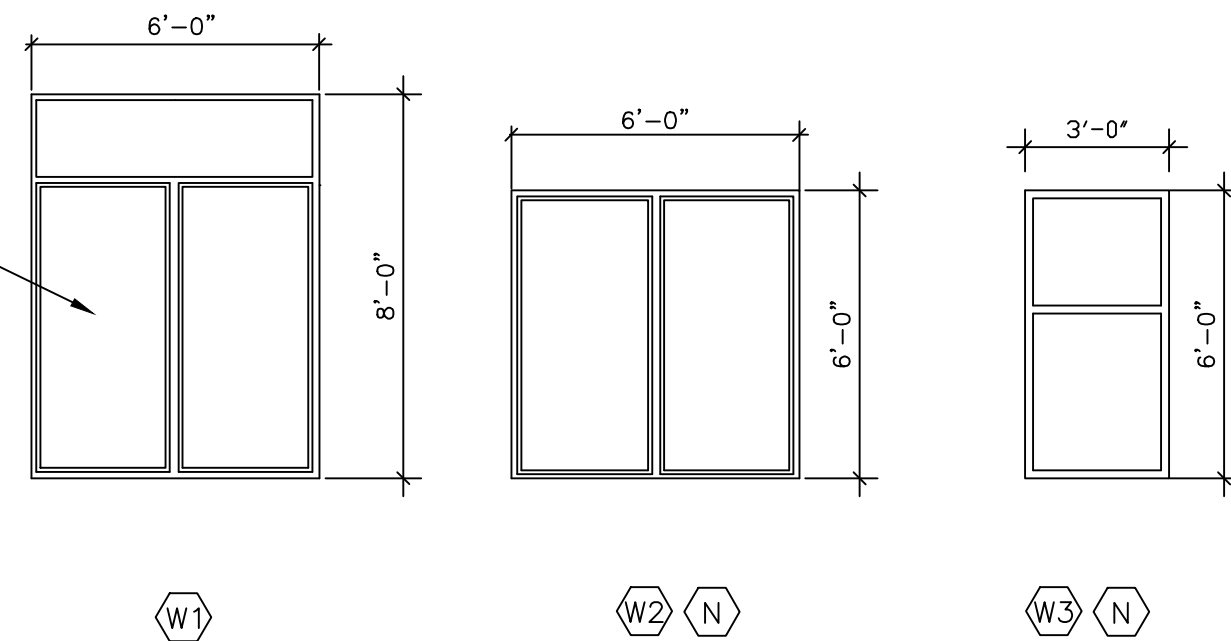


AREA	ROOM FINISH SCHEDULE											
	ROOM NO.	ROOM NAME	FLOOR	BASE	WALLS				CEILING	HEIGHT	REMARKS	
					NORTH	EAST	SOUTH	WEST				
LOWER FLOOR	101	OPEN PORTICO	N/A	N/A				DW 1	N/A	11'-0"	VESTIBULE REMOVED SEE REVISION	
	102	LOWER LOBBY	G. TILE	G. TILE	DW 1	DW 1	DW 1	DW 1	AC TILE*	9'-0"	CLG. MAX. HT. * CIRRUS CLASSIC	
	103	WOMEN'S RESTROOM	C. TILE	C. TILE	DW 2	DW 2	DW 2	DW 2	DW 2	9'-0"		
	103a	WOMEN WC	C. TILE	C. TILE	DW 2	DW 2	DW 2	DW 2	DW 2	9'-0"		
	104	MEN'S RESTROOM	C. TILE	C. TILE	DW 2	DW 2	DW 2	DW 2	DW 2	9'-0"		
	104a	MEN WC	C. TILE	C. TILE	DW 2	DW 2	DW 2	DW 2	DW 2	9'-0"		
	105	CAFETERIA	G. TILE	G. TILE	DW 1	DW 1	DW 1	DW 1	AC TILE*	11'-0"	CLG. MAX. HT. * CIRRUS CLASSIC	
	106	JANITOR ROOM	C. TILE	C. TILE	DW 2	DW 2	DW 2	DW 2	DW 2	9'-0"		
	107	ELEVATOR SHAFT	CONCRETE	CONCRETE	CMU	CMU	CMU	CMU	CMU	8" CMU WALL W/REF. TYP.		
	108	MULTIPURPOSE HALL	P. TILE	P. TILE	DW 1	DW 1	DW 1	DW 1	AC TILE*	11'-0"	CLG. MAX. HT. * CIRRUS CLASSIC	
	109	EXTERIOR STAIRS	VCT	VINYL								
	110	OFFICE 2	CARPET	VINYL	DW 1	DW 1	DW 1	DW 1	AC TILE*	9'-0"	CLG. MAX. HT. * CIRRUS CLASSIC	
	111	TOILET-2	C. TILE	C. TILE	DW 2	DW 2	DW 2	DW 2	DW 2	9'-0"		
	112	TOILET-1	C. TILE	C. TILE	DW 2	DW 2	DW 2	DW 2	DW 2	9'-0"		
	113	OFFICE 1	CARPET	VINYL	DW 1	DW 1	DW 1	DW 1	AC TILE*	9'-0"	CLG. MAX. HT. * CIRRUS CLASSIC	
	114	EXTERIOR STAIRS	VCT	VINYL								
	115	PANTRY	C. TILE	C. TILE	DW 1	DW 1	DW 1	DW 1	AC TILE*	9'-0"		
	116	PRIEST BREAK ROOM	C. TILE	C. TILE	DW 1	DW 1	DW 1	DW 1	AC TILE*	9'-0"		
	117	STORAGE-1	VCT	VINYL	DW 1	DW 1	DW 1	DW 1	AC TILE	9'-0"		
	118	STORAGE-2	VCT	VINYL	DW 1	DW 1	DW 1	DW 1	AC TILE	9'-0"		
	119	RISER ROOM	VCT	VINYL	DW 1	DW 1	DW 1	DW 1	VARIES	8" CMU WALL W/REF. TYP.		
	120	ELECTRIC ROOM	VCT	VINYL	DW 1	DW 1	DW 1	DW 1	VARIES	8" CMU WALL W/REF. TYP.		
	121	CLASS RM-1	P. TILE	P. TILE	DW 1	DW 1	DW 1	DW 1	AC TILE	9'-0"		
	122	CLASS RM-2	P. TILE	P. TILE	DW 1	DW 1	DW 1	DW 1	AC TILE	9'-0"		
	123	CLASS RM-3	P. TILE	P. TILE	DW 1	DW 1	DW 1	DW 1	AC TILE	9'-0"		
	124	CLASS RM-4	P. TILE	P. TILE	DW 1	DW 1	DW 1	DW 1	AC TILE	9'-0"		
125	KITCHEN	P. TILE	P. TILE	DW 1	DW 1	DW 1	DW 1	AC TILE	11'-0"			
126	PANTRY	P. TILE	P. TILE	DW 1	DW 1	DW 1	DW 1	AC TILE	11'-0"			
UPPER FLOOR	201	OPEN PORTICO	G. TILE	G. TILE				DW 1	AC TILE*	14'-6"	CLG. MAX. HT. * CIRRUS CLASSIC	
	202	GAZEBO							STUC	VARIS	CEILING MAXIMUM HEIGHT	
	203	NOT USED										
	204	NOT USED										
	205	GAZEBO							STUC	VARIS	CEILING MAXIMUM HEIGHT	
	206	VESTIBULE	G. TILE	G. TILE	DW 1	DW 1	DW 1	DW 1	AC TILE	14'-6"	CLG. MAX. HT. * CIRRUS CLASSIC	
	207	ELEVATOR MECH	VCT	VINYL	DW 1	DW 1	DW 1	DW 1	AC TILE	9'-0"	CLG. MAX. HT. * CIRRUS CLASSIC	
	208	GIFT SHOP	CARPET	VINYL	DW 1	DW 1	DW 1	DW 1	AC TILE	9'-0"		
	209	MANAGER OFFICE	CARPET	VINYL	DW 1	DW 1	DW 1	DW 1	AC TILE	9'-0"		
	210	CHAIRS STORAGE	CARPET	VINYL	DW 1	DW 1	DW 1	DW 1	AC TILE	9'-0"		
	211	OFFICE	CARPET	VINYL	DW 1	DW 1	DW 1	DW 1	AC TILE	9'-0"		
	211a	OFFICE	CARPET	VINYL	DW 1	DW 1	DW 1	DW 1	AC TILE			
	212	PRAYER HALL	CARPET	VINYL	DW 1	DW 1	DW 1	---	DW 1*	VARIS	GYP. PLASTER, DRYWALL, SUSPAC TILES	
	213	ALTAR	M. TILE	M. TILE	DW 1	DW 1	DW 1	DW 1	DW 1*	12'-0"		
	214	PRIEST	CARPET	VINYL	DW 1	DW 1	DW 1	DW 1	AC TILE*	9'-0"	CLG. MAX. HT. * CIRRUS CLASSIC	
	214a	CLOSET	CARPET	VINYL	DW 1	DW 1	DW 1	DW 1	DW 1	9'-0"		
	215	EXTERIOR STAIRS	CONCRETE									
	216	PRIEST	CARPET	VINYL	DW 1	DW 1	DW 1	DW 1	AC TILE*	9'-0"	CEILING MAXIMUM HEIGHT	
	216a	CLOSET	CARPET	VINYL	DW 1	DW 1	DW 1	DW 1	DW 1			
217	CLOSET	CARPET	VINYL	DW 1	DW 1	DW 1	DW 1	DW 1	9'-0"	CLG. MAX. HT. * CIRRUS CLASSIC		
218	EXTERIOR STAIRS	CONCRETE									CLG. MAX. HT. * CIRRUS CLASSIC	
219	PARIKRAMA (CIRCULATION)	CARPET	VINYL	DW 1	DW 1	DW 1	DW 1	DW 1	9'-0"			

LEGEND:

- VINYL = VINYL STRAIGHT BASE
- VCT = VINYL COMPOSITE TILE
- DW 1 = 5/8" GYPSUM BOARD
- DW 1* = GYPSUM BOARD DECORATIVE CEILING W/CROWN MOULD
- DW 2 = 5/8" MOISTURE RESISTANT GYPSUM BOARD
- WB = WHITE BRICK
- STUC = STUCCO
- G. TILE = G. TILE
- C. TILE = C. TILE
- DW 1 = DOOR MATS AT ALL ENTRANCES
- D. TILE = CERAMIC TILE
- M. TILE = QUARRY TILE
- M. TILE = MARBLE TILE
- P. TILE = PORCELAIN TILE 24"X24"
- AC. TILE* = ARMSTRONG * CIRRUS CLASSIC MOTIFS COTILLION W/SUPRATINE 9/16" EXPOSED TEE GRID OR APPROVED EQUAL
- AC. TILE = ARMSTRONG FIGURED (ALL OTHER AREAS)
- NOTE: ROOMS W/GYP. DRYWALL CLG. TO HAVE 6" WD. CROWN MOULDING PAINTED TYP.



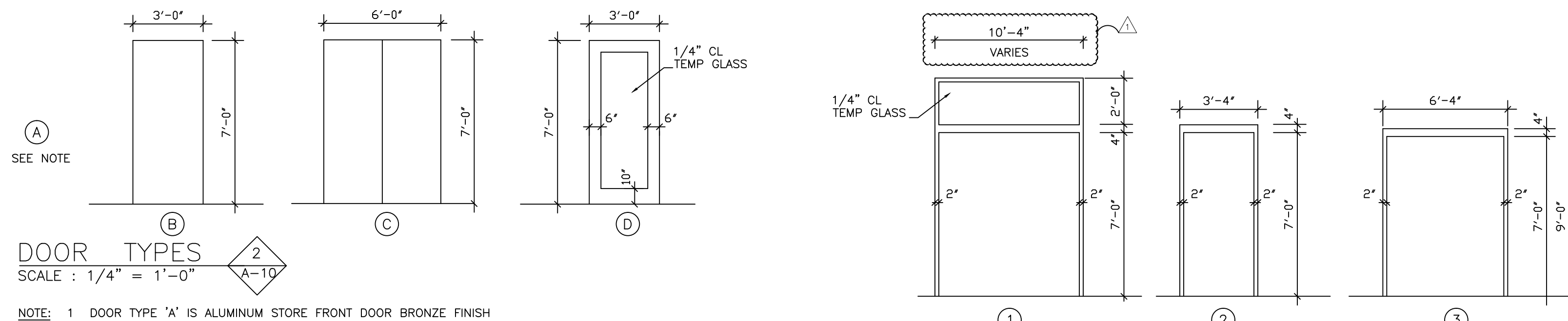
WINDOW TYPES
SCALE: 1/4" = 1'-0"

- NOTE: 1. WINDOW MFG. TO SUBMIT SHOPDRAWINGS FOR APPROVALS.
2. BRONZE FINISH FRAME, GLIDER TYPE WINDOWS WITH STORM SCREENING.
3. WINDOWS WITH SPANDERLITE GLASS AS REQUIRED SIMILAR TO WDW. W-2, W-3

AREA	DOOR SCHEDULE														
	DOOR NUMBER	DOOR TYPE	DOOR MATERIAL	DOOR SIZE			HEAD	JAMB	SILL	FRAME TYPE	FRAME MATERIAL	HARDWARE	LABEL	REMARKS	
				W	H	TH									
LOWER FLOOR	1.101*			PR	3'-0"	7'-0"				1		1		ALUM. STORE FRONT DOOR W/SIDE LIGHT WITH PANIC HWD.	
	1.102			PR	3'-0"	7'-0"				1		1		ALUM. STORE FRONT DOOR W/SIDE LIGHT WITH PUSH AND PULL HWD.	
	2.102			PR	3'-0"	7'-0"				1		1		ALUM. STORE FRONT DOOR W/SIDE LIGHT WITH PUSH AND PULL HWD.	
	1.103	B	HM		3'-0"	7'-0"	1 3/4"			2	HM	6			
	1.103a	B	HM		3'-0"	7'-0"	1 3/4"			2	HM	6			
	1.104	B	HM		3'-0"	7'-0"	1 3/4"			2	HM	6			
	1.104a	B	HM		3'-0"	7'-0"	1 3/4"			2	HM	6			
	1.105*			PR	3'-0"	7'-0"				1	HM	1			ALUM. STORE FRONT DOOR W/SIDE LIGHT WITH PANIC HWD.
	2.105	D		PR	3'-0"	7'-0"				3					ALUM. STORE FRONT DOOR WITH PUSH AND PULL HWD.
	1.106	B	HM		3'-0"	7'-0"	1 3/4"			2	HM	3			
	1.108	B	HM		3'-0"	7'-0"	1 3/4"			2	HM	2	C		W/PANIC HARDWARE & EXT. KEY ENTRY
	2.108	B	HM		3'-0"	7'-0"	1 3/4"			2	HM	2	C		W/PANIC HARDWARE & EXT. KEY ENTRY
	3.108	B	WD		3'-0"	7'-0"	1 3/4"				HM				PRE HUNG WOOD FRAME DOOR W/HWD
	4.108	B	WD		3'-0"	7'-0"	1 3/4"				HM				PRE HUNG WOOD FRAME DOOR W/HWD
	1.110	B	HM		3'-0"	7'-0"	1 3/4"			2	HM	5			
	2.110	B	WD		3'-0"	7'-0"	1 3/4"				HM				PRE HUNG WOOD FRAME DOOR W/HWD
	3.110	B	WD		3'-0"	7'-0"	1 3/4"				HM				PRE HUNG WOOD FRAME DOOR W/HWD
	1.111	B	HM		3'-0"	7'-0"	1 3/4"			2	HM	6			
	1.112	B	HM		3'-0"	7'-0"	1 3/4"			2	HM	6			
	1.113	B	HM		3'-0"	7'-0"	1 3/4"			2	HM	5			
	2.113	B	WD		3'-0"	7'-0"	1 3/4"				HM				PRE HUNG WOOD FRAME DOOR W/HWD
	3.113	B	WD		3'-0"	7'-0"	1 3/4"				HM				PRE HUNG WOOD FRAME DOOR W/HWD
	1.115	B	HM		3'-0"	7'-0"	1 3/4"			2	HM	4			
	1.116	B	HM		3'-0"	7'-0"	1 3/4"			2	HM	2	C		W/PANIC HARDWARE & EXT. KEY ENTRY
	2.116	B	HM		3'-0"	7'-0"	1 3/4"			2	HM	4			
	1.117	B	HM		3'-0"	7'-0"	1 3/4"			2	HM	3			
1.118	B	HM		3'-0"	7'-0"	1 3/4"			2	HM	3				
1.119	B	HM		3'-0"	6'-8"	1 3/4"			2	HM	3	C			
1.120	B	HM		3'-0"	6'-8"	1 3/4"			2	HM	3	C			
1.121	B	HM		3'-0"	7'-0"	1 3/4"			2	HM	6				
1.122	B	HM		3'-0"	7'-0"	1 3/4"			2	HM	6				
2.122*	B	HM		3'-0"	7'-0"	1 3/4"			2	HM	2	C		W/PANIC HARDWARE & EXT. KEY ENTRY	
1.123	B	HM		3'-0"	7'-0"	1 3/4"			2	HM	6				
2.123*	B	HM		3'-0"	7'-0"	1 3/4"			2	HM	2	C		W/PANIC HARDWARE & EXT. KEY ENTRY	
1.124	B	HM		3'-0"	7'-0"	1 3/4"			2	HM	6				
1.125	B	HM		3'-0"	7'-0"	1 3/4"			2	HM	4				
2.125*	B	HM		3'-0"	7'-0"	1 3/4"			2	HM	2	C		W/PANIC HARDWARE & EXT. KEY ENTRY	
1.126	B	HM		3'-0"	7'-0"	1 3/4"			2	HM	4				
UPPER FLOOR	1.206*	A		PR	3'-0"	7'-0"					1			ALUM. STORE FRONT DOOR W/SIDE LIGHT WITH PANIC HWD.	
	2.206	A		PR	3'-0"	7'-0"					1			ALUM. STORE FRONT DOOR W/SIDE LIGHT WITH PUSH AND PULL HWD.	
	1.207	B	HM		3'-0"	7'-0"	1 3/4"			2	HM	4			
	1.208	B	HM		3'-0"	7'-0"	1 3/4"			2	HM	4			
	1.209	B	HM		3'-0"	7'-0"	1 3/4"			3		4			
	1.210	B	HM		3'-0"	7'-0"	1 3/4"			3		4			
	2.210	B	HM		3'-0"	7'-0"	1 3/4"			2	HM	4			
	1.211	B	HM		3'-0"	7'-0"	1 3/4"			2	HM	4			
	1.211a	B	HM		3'-0"	7'-0"	1 3/4"			2	HM	4			
	1.212	B	HM		3'-0"	7'-0"	1 3/4"			2	HM	2	C		W/PANIC HARDWARE
2.212*	B	HM		3'-0"	7'-0"	1 3/4"			2	HM	2	C		W/PANIC HARDWARE	
1.214	B	HM		3'-0"	7'-0"	1 3/4"			2	HM	4				
1.216	B	HM		3'-0"	7'-0"	1 3/4"			2	HM	4				
1.217	B	HM		3'-0"	7'-0"	1 3/4"			2	HM	4				
1.219	B	HM		3'-0"	7'-0"	1 3/4"			2	HM	4				

DOOR TYPES
SCALE: 1/4" = 1'-0"

- NOTE: 1. DOOR TYPE 'A' IS ALUMINUM STORE FRONT DOOR BRONZE FINISH W/SIDE LIGHT AND TOP LIGHT W/ TEMP. GL.
2. DOOR FOR WALK-IN-COOLER BY COOLER MFG
3. PROVIDE STANDARD BRONZE FINISH STORE FRONT
4. OWNER'S OPTION TO USE ALL WOOD DOORS IN-LIEU OF HOLLOW METAL DOOR SHOWN FOR INTERIOR EXCEPT FIRE RATED LABELED DOORS



FRAME TYPES
SCALE: 1/4" = 1'-0"

- NOTE: SEE SECTION & ELEVATIONS FOR ALUMINUM STORE FRONT DOORS AND SIZES

CEILING NOTE:
PROVIDE ALUMINUM SOFFIT CEILING IN ALL EXPOSED AREAS UNDER ROOF UNLESS NOTED OTHERWISE. (SPACES 101 AND 201)

LEGEND:
- ALUM. STORE FRONT DOOR W/SIDE LIGHT AND PANIC HARDWARE
ALL EXIT DOORS TO BE INSTALLED WITH PANIC HARDWARE FROM EGRESS SIDE

HW SET 1
EACH TO HAVE AN ALUMINUM STORE FRONT DOOR WITH SIDE LIGHT CYLINDERS AS REQUIRED
BALANCE OF HARDWARE BY DOOR SUPPLIER

HW SET 2
1 PR. BUTT HINGES 4 1/2" X 4 1/2" BB1191 X US32D X NRP
1 EA. EXIT DEVICE 21-8804-ETL X US32D
1 EA. DOOR CLOSER EN281-0-DA
1 EA. KICK PLATE 8" X 2" L. W. O. D. X .050 X US32D
1 EA. WALL BUMPER 409 X US 26D
1 SET GASKETING S88D (HEAD & JAMBS)
1 EA. THRESHOLD 2005AS X ES X "PEMKOTE"
1 EA. DRIP CAP 346C X DOOR WIDTH + 4"

HW SET 3
1 PR. BUTT HINGES 4 1/2" X 4 1/2" BB1279 X US26D
1 EA. OFFICE/ENTRY LOCKSET 21-10G05 LL X US26D
1 EA. DOOR CLOSER EN281-0-DA
1 EA. KICK PLATE 8" X 2" L. W. O. D. X .050 X US32D
1 EA. WALL BUMPER 409 X US32D
1 SET GASKETING S88D (HEAD & JAMBS)
1 EA. DOOR BOTTOM 210AV
1 EA. THRESHOLD 2005AS X ES X "PEMKOTE"
1 EA. DRIP CAP 346C X DOOR WIDTH + 4"

HW SET 4
1 PR. BUTT HINGES 4 1/2" X 4 1/2" BB1279 X US26D
1 EA. OFFICE/ENTRY LOCKSET 21-10G05 LL X US26D
1 EA. WALL BUMPER 409 X US32D

HW SET 5
1 PR. BUTT HINGES 4 1/2" X 4 1/2" BB1279 X US26D
1 EA. STOREROOM LOCKSET 21-10G04 LL X US26D
1 EA. OVERHEAD HOLDER 590H X US26D