

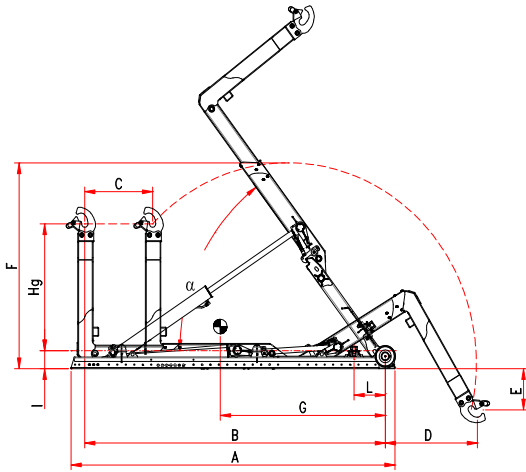


b.o.b. Sistemi Idraulici S.p.A.

unilift[®]

**COMPANY WITH
QUALITY SYSTEM
CERTIFIED BY DNV GL
= ISO 9001 =**

HOOKLIFT « T 20.000 MS »



MODEL	T 20.000 XXC MS	T 20.000 XC MS	T 20.000 C MS	T 20.000 N MS	T 20.000 NL MS	T 20.000 L MS	T 20.000 XL MS
Hg	53,88"/61,75" (1.369/1.569mm)	53,88"/61,75" (1.369/1.569mm)	53,88"/61,75" (1.369/1.569mm)	53,88"/61,75" (1.369/1.569mm)	53,88"/61,75" (1.369/1.569mm)	53,88"/61,75" (1.369/1.569mm)	53,88"/61,75" (1.369/1.569mm)
A	146,85" (3.730 mm)	150,78" (3.830 mm)	158,66" (4.030 mm)	170,44" (4.330 mm)	178,34" (4.530 mm)	186,22" (4.730 mm)	200" (5.080 mm)
B	131,88" (3.350 mm)	139,76" (3.550 mm)	147,63" (3.750 mm)	159,44" (4.050 mm)	137,32" (4.250 mm)	175,19" (4.450 mm)	181,1" (4.600 mm)
C	27,55" (700 mm)	31,5" (800 mm)	31,5" (800 mm)	31,5" (800 mm)	31,5" (800 mm)	31,5" (800 mm)	39,37" (1.000 mm)
D	46,45" (1.180 mm)	42,51" (1.080 mm)	34,64" (880 mm)	45,66" (1.160 mm)	37,79" (960 mm)	29,92" (760 mm)	58,26" (1.480 mm)
E	19,29" (490 mm)	19,29" (490 mm)	19,29" (490 mm)	19,29" (490 mm)	19,29" (490 mm)	19,29" (490 mm)	9,93" (100 mm)
F	89,76" (2.280 mm)	89,76" (2.280 mm)	89,76" (2.280 mm)	99,6" (2.530 mm)	99,6" (2.530 mm)	99,6" (2.530 mm)	113,38" (2.880 mm)
G	73,22" (1.860 mm)	76,77" (1.950 mm)	83,07" (2.110 mm)	88,97" (2.260 mm)	94,09" (2.390 mm)	99,21" (2.520 mm)	97,63" (2.480 mm)
I	7,87" (200 mm)	7,87" (200 mm)	7,87" (200 mm)	7,87" (200 mm)	7,87" (200 mm)	7,87" (200 mm)	8,66" (220 mm)
L	10,62" (270 mm)	14,56" (370 mm)	22,44" (570 mm)	18,5" (470 mm)	26,37" (670 mm)	26,37" (670 mm)	19,68" (500 mm)
Weight*	2.560 lb (1.160 Kg)	2.610 lb (1.185 Kg)	2.665 lb (1.210 Kg)	2.755 lb (1.250 Kg)	2.810 lb (1.275 Kg)	2.865 lb (1.300 Kg)	3.670 lb (1.665 Kg)
α	55°	53°	50°	53°	49°	45°	55°
Container min. max.	12' - 13' (3.657-3.962 mm)	12' - 14' (3.657-4.267 mm)	13' - 15' (3.962-4.572 mm)	13' - 16' (3.962-4.876 mm)	14' - 16' (4.267-4.876 mm)	14' - 17' (4.267-5.181 mm)	14' - 17' (4.267-5.181 mm)
LIFTING CAPACITY	20.000 lb (9.090 Kg)	20.000 lb (9.090 Kg)	20.000 lb (9.090 Kg)	20.000 lb (9.090 Kg)	20.000 lb (9.090 Kg)	20.000 lb (9.090 Kg)	20.000 lb (9.090 Kg)
TIPPING CAPACITY	20.000 lb (9.090 Kg)	20.000 lb (9.090 Kg)	20.000 lb (9.090 Kg)	20.000 lb (9.090 Kg)	20.000 lb (9.090 Kg)	20.000 lb (9.090 Kg)	20.000 lb (9.090 Kg)

***Weight: basic hooklift weight without kit and options**

The technical details shown in this sheet are indicative and can be changed by the builder without prior notice

B.O.B. Sistemi Idraulici S.p.A. – Regione Oltre Rea, 32 – 12060 Monchiero (CN) - Italia

P. I.V.A. 00496180043 - Tel.: +39 (0173) 780002/3 – Fax: +39 (0173) 780004

Internet: www.bobspa.com - E-mail: info@bobspa.com