

MEN & WOMEN'S RESTROOM

SCALE : 1/4" = 1'-0"

NOTE: OWNERS OPTION TO USE TOILET FIXTURES AND ACCESSORIES SHOW ON PLUMBING DRAWINGS.

SERVICE MOP BASIN 30" X 30" BY DURASTONE WITH ACCESSORIES, SERVICE FAUCET, HOSE HOLDER, MOP HANGER, BUMPER GUARDS ETC.

WALL MOUNTED SINK TYP. BY AMERICAN STANDARD MODEL-ZORO W/ FAUCET

ELEVATION 2
SCALE : 1/4" = 1'0" A-15

ELEVATION 3
SCALE : 1/4" = 1'0" A-15

ELEVATION 4
SCALE : 1/4" = 1'0" A-15

ELEVATION 5
SCALE : 1/4" = 1'0" A-15

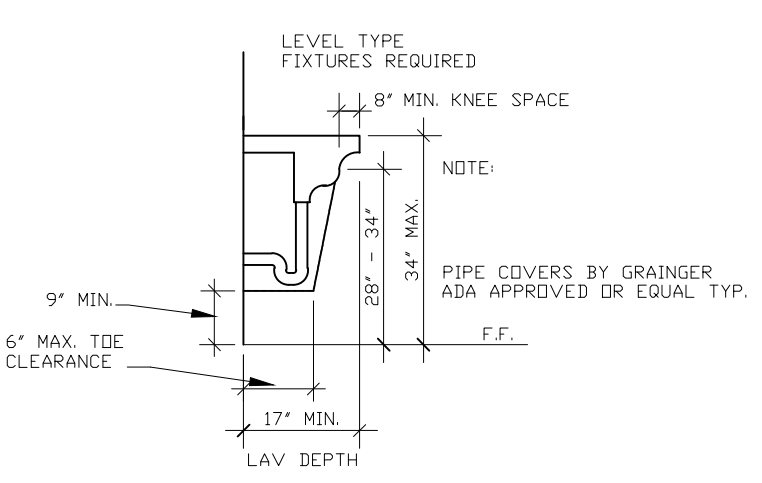
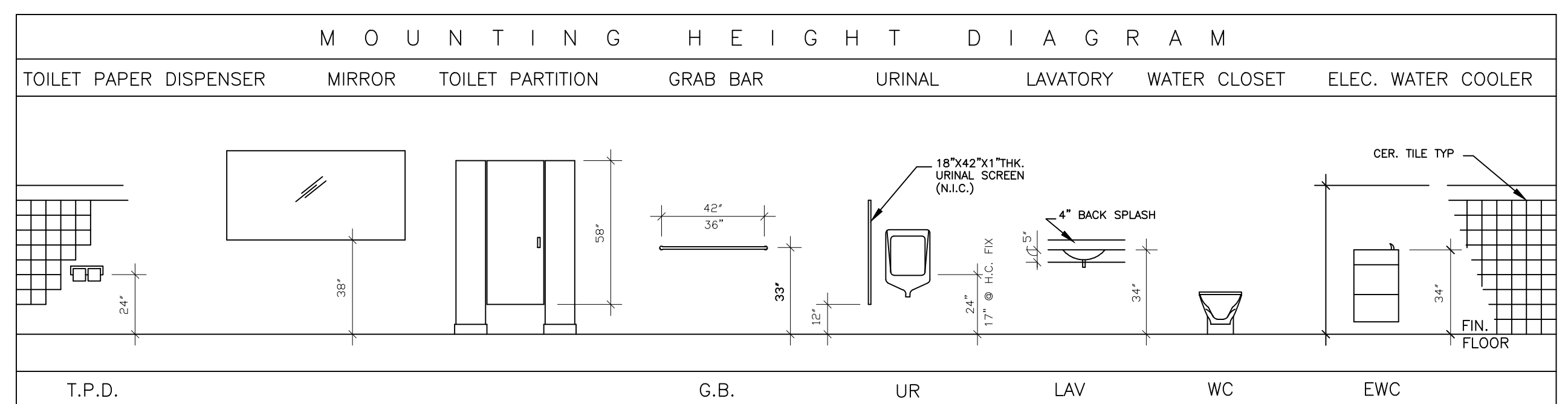
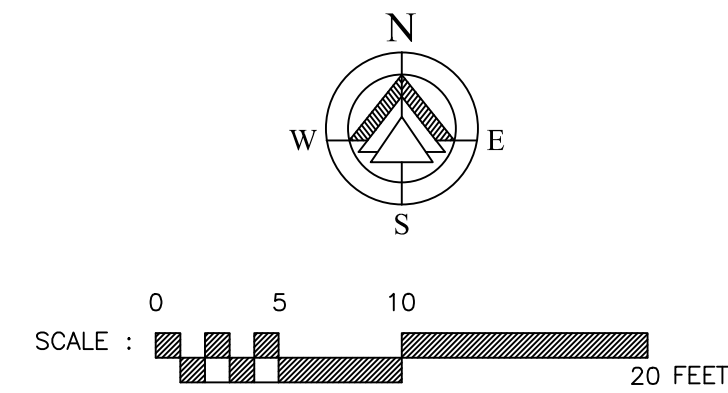
ELEVATION 6
SCALE : 1/4" = 1'0" A-15

ELEVATION 7
SCALE : 1/4" = 1'0" A-15

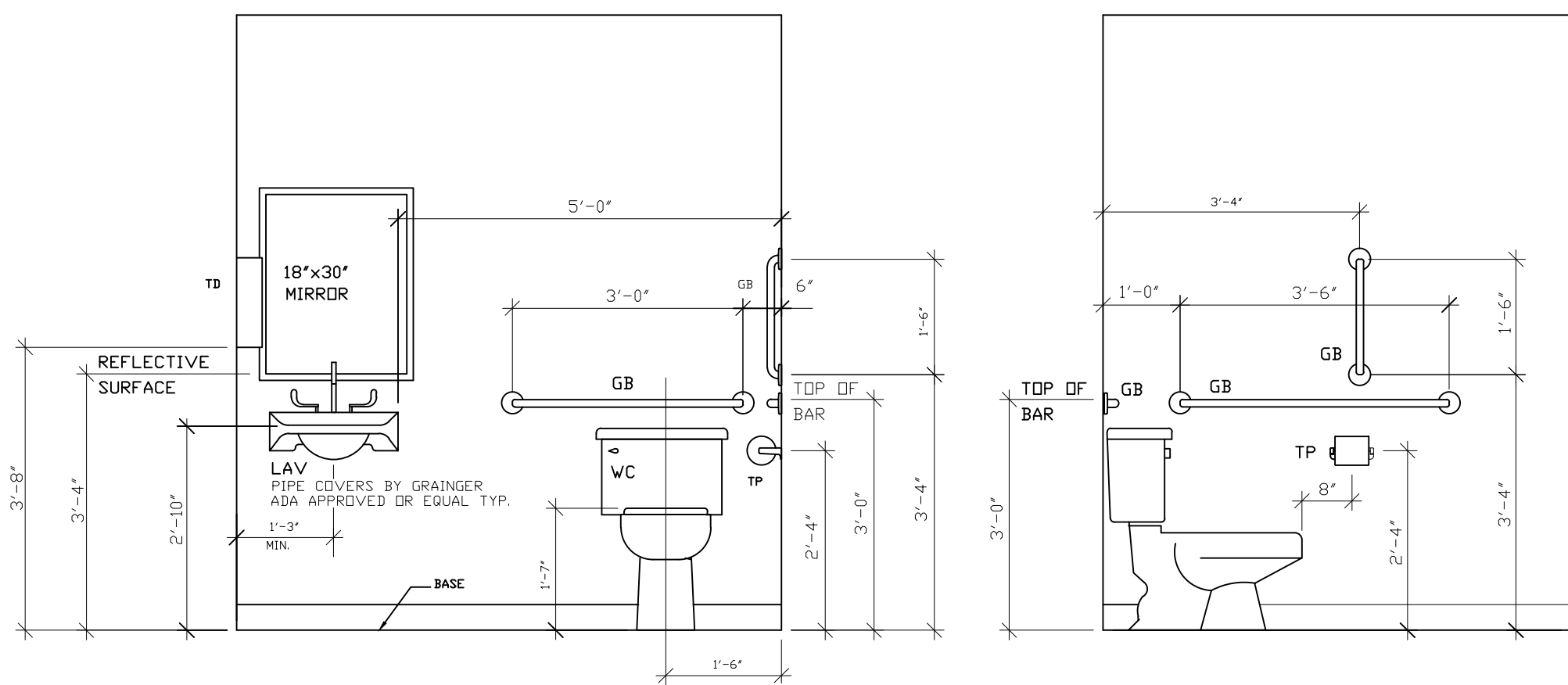
ELEVATION 8
SCALE : 1/4" = 1'0" A-15

ELEVATION 9
SCALE : 1/4" = 1'0" A-15

- GENERAL NOTES :**
1. PROVIDE GFI OUTLETS IN RESTROOMS AS REQ'D. AND EXHAUST FANS (750 CFM MIN. EACH) IN MEN / WOMEN RESTROOMS AND TWO 500 CFM EXHAUST FANS IN SHOWERS. FANS MFG. BY PENN ZEPHYR OR APPROVED EQUAL.
 2. ALL PLUMBING WORK SHALL CONFORM WITH IBC-PLUMBING CODE REQUIREMENTS. AND ANY OTHER HAVING JURISDICTION OVER THE WORK.
 3. SEE ADDITIONAL GENERAL NOTES ON DWG. A-1
 4. ANY DISCREPANCY OR INTERFERENCE SHOULD BE REPORTED TO THE ARCHITECT. IN WRITING IMMEDIATELY.
 5. OWNERS OPTION TO SELECT TOILETS FIXTURES ON ARCHITECTURAL DRAWINGS, AND PLUMBING DRAWINGS OR APPROVED EQUAL.
 6. PROVIDE AS REQUIRED ALL THE STEEL BRACKETS, ANCHORS AND WALL REINFORCING FOR THE COUNTER TOPS TO SUPPORT THE FIXTURES AND COUNTER TOPS SELECTED BY THE OWNERS.



SIDE AT LAV
NOT TO SCALE



HC TOILET ELEV. / SECTION
NOT TO SCALE

FIXTURES MOUNTING DETAILS
SCALE : 1/4" = 1'-0" A-15

TYPICAL HC TOILET FIX. CRITERIA
NOT TO SCALE
TYPICAL TOILET ROOM FIXTURE & ACCESSORY MOUNTING LOCATIONS.
TYPICAL TOILET WC FIXTURE WITH TANK OR AUTOMATIC FLUSH OPTION.
A-15

REGISTERED ARCHITECT
SHASHI D. PATEL
23747
STATE OF TEXAS
10/05/15

rev

rev

date 10-05-2015 released for const.

scale AS NOTED

drawn by CADD-SPA

SHASHI D. PATEL AIA NCARB
ARCHITECTS AND PLANNERS
442 EAST END AVE. STE-B. PITTSBURGH PA 15221

TOILETS PLANS ELEVATIONS AND DETAILS

CONSTRUCTION DOCUMENT PHASE

RADHA KRISHNA TEMPLE
ALLEN TEXAS

dwg. 07162013 A-15
no.