

Tri-Sport

PARTS LIST



RTS 290-340



Tri-Port

PARTS LIST

SPAREMENTS



ATS 280-340



RTS
290/340

Originals
SPRINTS

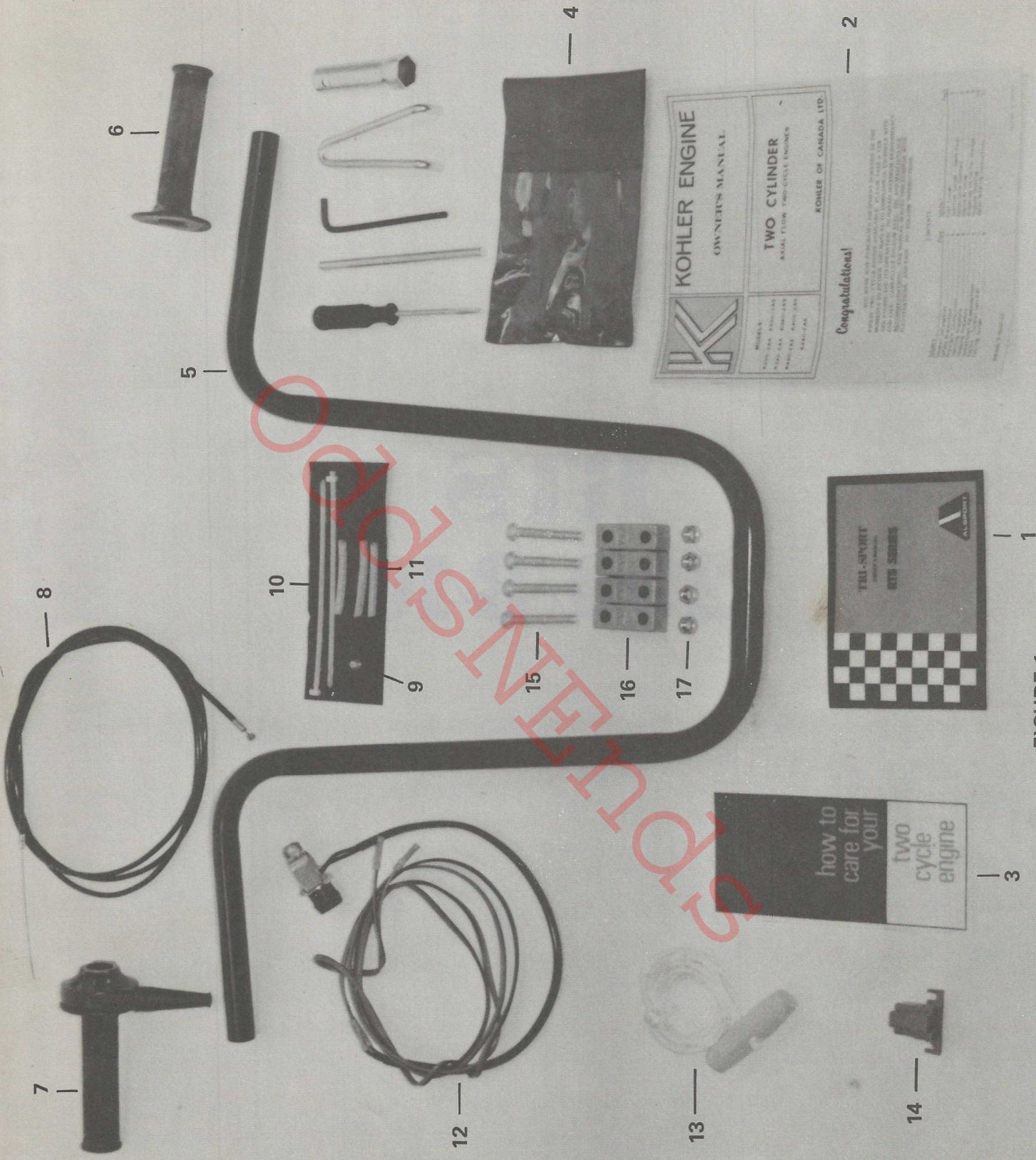


FIGURE 1

FIGURE #1

RTS-290 & 340

ITEM NO.	PART NUMBER	DESCRIPTION
1.	759-198	RTS-Owners Manual
2.	NPN	Kohler Engine Owners Manual
3.	NPN	Pamphlet "How To Care For Your Engine"
4.	745-119	Kohler Engine Tool Kit
5.	720-111	Handle Bar (Blk.)
6.	720-105	Dummy Grip (Magura)
7.	720-104	Throttle Twist Grip
	720-101	Item 6 & 7
8.	746-102	Throttle Cable 99" Long
9.	746-103	Throttle Cable Stop
10.	749-102	Cable Ties 6-3/4"
11.	749-103	Spiral Wrap 2-1/2" Long
12.	725-208	Safety Wire Assembly
13.	NPN	Recoil Starter Rope (See Kohler Supplement)
14.	NPN	Plastic Plug (See Kohler Supplement)
15.	710-105	Hex Hd. Bolt 5/16-24 x 2-1/2
16.	711-107	Handle Bar Mount
17.	712-106	Hex Locknut 5/16-24

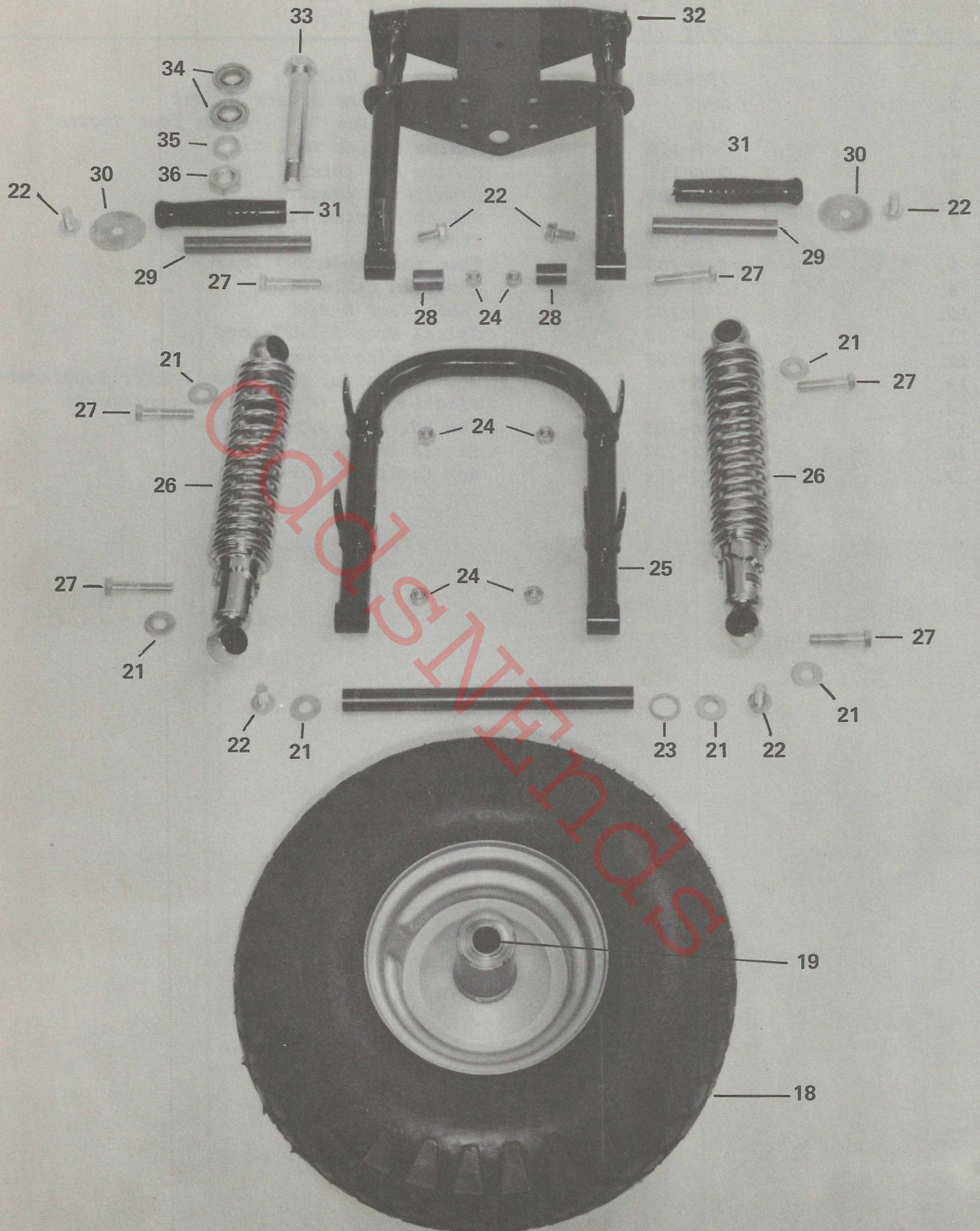


FIGURE 2

FIGURE #2

RTS-290 & 340

ITEM NO.	PART NUMBER	DESCRIPTION
18.	734-116	Front Tire & Wheel Assembly
19.	741-102	Front Wheel Bearing 3/4 I.D.
20.	711-103	Front Axle 3/4 Dia., x 9
21.	736-102	Flat Washer 3/8 I.D.
22.	710-118	Whiz Lock Bolt 3/8-24 x 3/4
23.	750-104	Axle Spacer 3/4 I.D. x 1/8
24.	712-135	Hex Lock Nut 3/8-24
25.	733-180	Leading Link
26.	749-114	Front Shocks #100-8002-000
27.	710-116	Hex Hd. Bolt 3/8-24 x 1-3/4
28.	750-107	Bolt Bushing 3/4 Dia., x 1-1/16
29.	711-101	Footrest Mount Bar 3/4 Dia., x 4-1/2
30.	736-106	Flat Washer 2" O.D. x 3/8 I.D.
31.	720-102	Footrest Grip
32.	733-230	Front Fork
33.	710-100	King Pin Bolt 3/4-10 x 5-5/8
34.	741-106	Front Fork Bearing 3/4 I.D.
35.	750-109	King Pin Spacer 3/4 Dia., x 3/8
36.	712-105	King Pin Nut 3/4-10

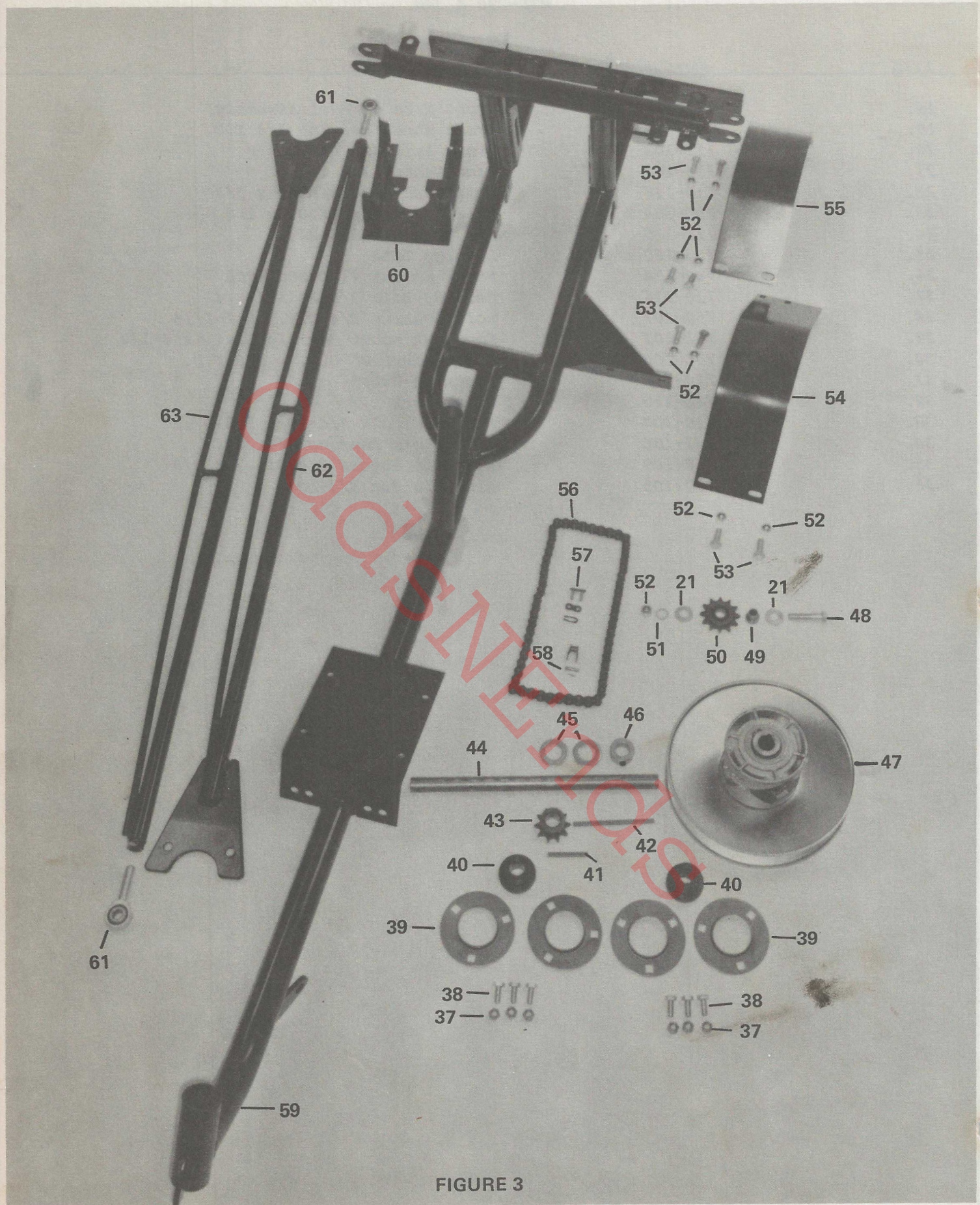


FIGURE 3

RTS-290 & 340

ITEM NO.	PART NUMBER	DESCRIPTION
37.	712-102	Hex Lock Nut 5/16-24
38.	710-121	Hex Hd. Bolt 5/16-24 x 3/4
39.	749-110	Flangette for 3/4 I.D. Bearing (Pair)
40.	741-101	Jackshaft Bearing 3/4 I.D.
41.	714-102	Key 3/16 Sq x 2
42.	714-103	Key 3/16 Sq. x 4
43.	748-112	Sprocket 40B10 3/4" Bore
44.	711-117	Jackshaft 3/4 Dia. x 12-5/16
45.	736-117	Flat Washer 3/4 I.D.
46.	750-117	Lock Collar 3/4 I.D.
47.	717-111	Torque Convertor Driven 3/4 Bore
48.	710-102	Hex Hd. Bolt 3/8-24 x 2
49.	748-118	Idler Adapter
50.	748-117	Idler Sprocket
	760-122	Item 49 & 50
51.	736-146	Star Lock Washer 3/8 I.D.
52.	712-100	Hex Lock Nut 3/8-24
53.	710-166	Hex Hd. Bolt 3/8-24 x 1
54.	726-286	Torque Convertor Safety Shield - Front
55.	726-287	Torque Convertor Safety Shield - Rear
56.	713-116	Chain #40 69P W/Master & 1/2 Link
57.	713-110	Cottered Master Link #40
58.	713-106	Cottered Half Link #40
59.	733-172	Frame
60.	733-229	Fuel Tank Mounting Brk't.
61.	711-115	Heim Joints 1/2-20
62.	733-184	L.H. Torque Arm
63.	733-174	R.H. Torque Arm
64.	749-115	Rear Shocks 500-8002-000
65.	712-123	Hex Lock Nut 7/16-20
66.	736-149	Flat Washer 7/16 I.D.
67.	710-160	Hex Hd. Bolt 7/16-20 x 2

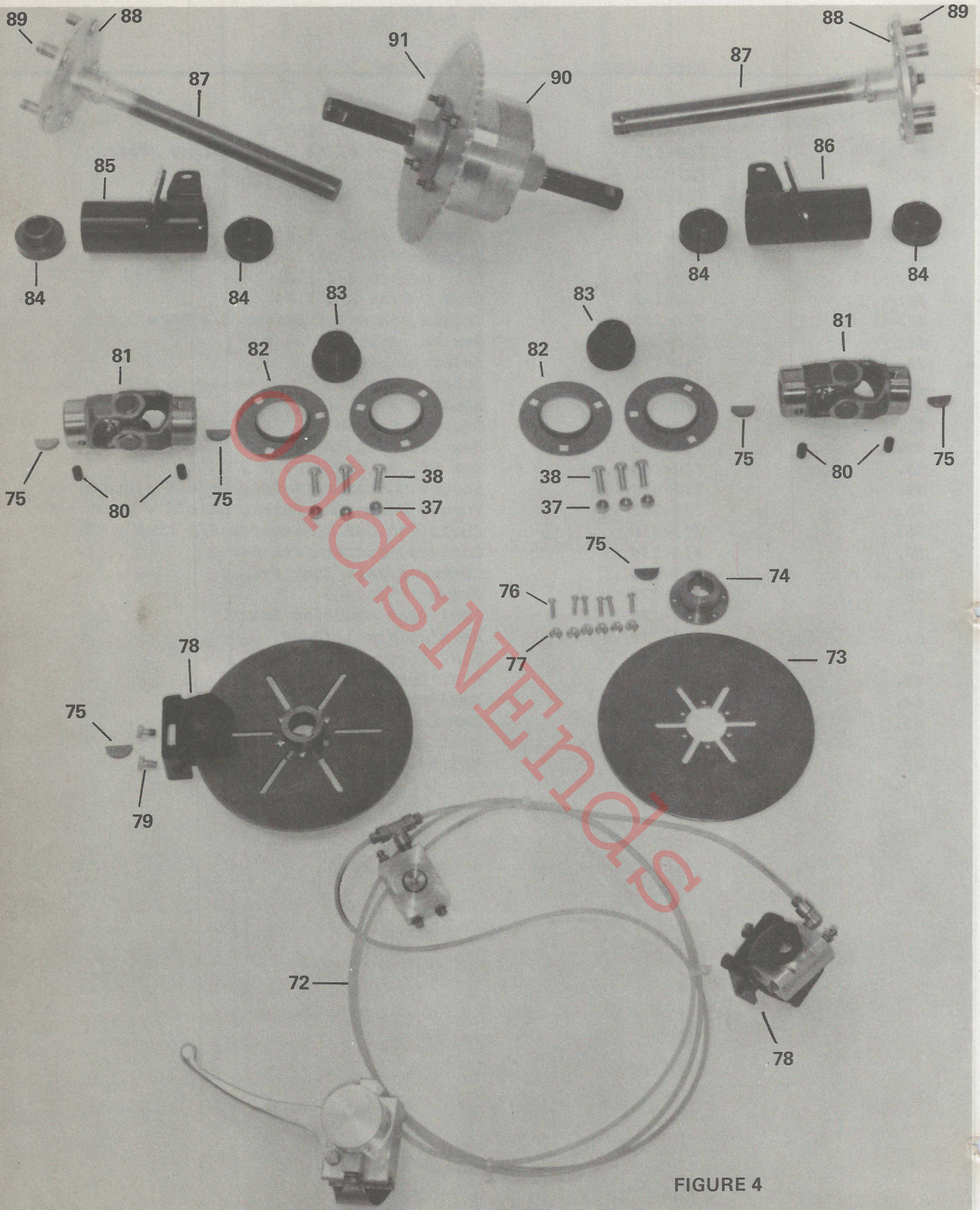


FIGURE 4

RTS-290 & 340

ITEM NO.	PART NUMBER	DESCRIPTION
72.	757-134	Dual Hyd. Brake Complete (See Borg-Warner Supplement)
73.	NPN	Disc (See Borg-Warner Supplement)
74.	NPN	Hub 1" Bore (See Borg-Warner Supplement)
75.	714-111	Woodruff Key #808 1/4 x 1
76.	NPN	Socket Hd. Bolt (See Borg-Warner Supplement)
77.	NPN	Hex Lock Nut (See Borg-Warner Supplement)
78.	NPN	Calipler (See Borg-Warner Supplement)
79.	NPN	Hex Hd. Bolt (See Borg-Warner Supplement)
80.	710-158	Set Screw 3/8-16 x 3/4
81.	717-114	Universal Joint
82.	749-116	Flangetts for 1" I.D. Bearing (Pairs)
83.	741-103	Axle Bearing 1" I.D. W/Collar
84.	741-105	Axle Support Bearing 1" I.D.
85.	733-200	R.H. Axle Support
86.	733-201	L.H. Axle Support
87.	738-112	Axle & Hub Weldment
	738-114	Tapered Outward Axle
88.	733-209	Wheel Hub 1" Bore W/Studs
	733-140	Wheel Hub - Tapered Bore W/Studs
89.	710-117	Lug Studs 1/2-20 x 1-1/4
90.	717-123	Differential - HA 252 (For Service Parts See Holtan Supplement)
91.	748-120	Sprocket #40 54 Tooth

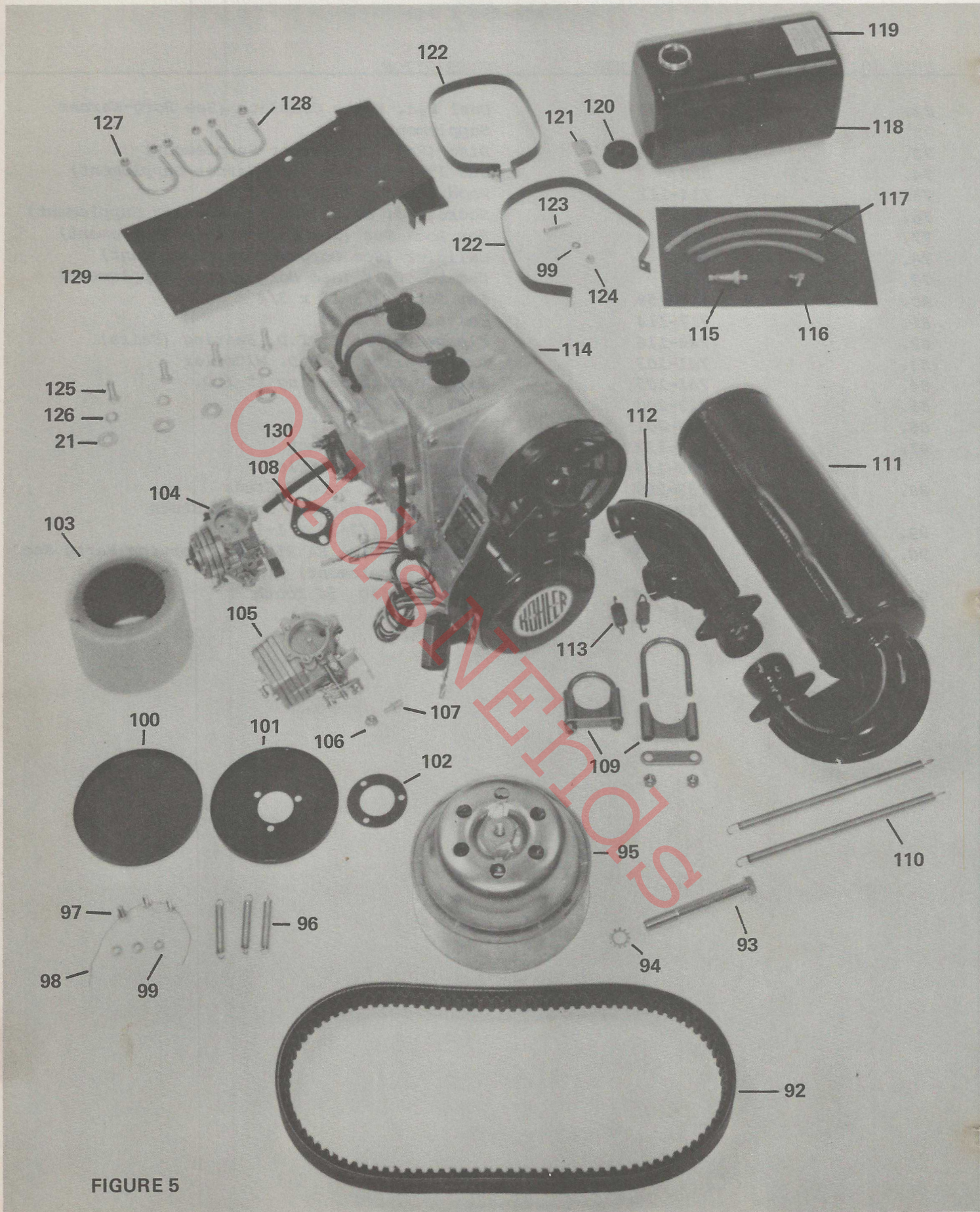


FIGURE 5

FIGURE #5

RTS-290 & 340

ITEM NO.	PART NUMBER	DESCRIPTION
92.	754-102	Drive Belt
93.	710-154	Hex Hd. Bolt 1/2-20 x 4-1/2
94.	736-119	Star Lock Washer 1/2 I.D.
95.	717-124	Torque Convertor Driver
96.	732-108	Holding Spring For Air Cleaner
97.	710-161	Hex Cross Drilled Bolt 1/4-20 x 5/8
98.	749-133	Safety Lock Wire 6"
99.	736-103	Spring Lock Washer 1/4 I.D.
100.	726-176	Rear Air Cleaner Plate
101.	726-175	Front Air Cleaner Plate
102.	723-131	Air Cleaner Gasket
103.	723-156	Air Cleaner Element Assembly
104.	723-164	Carb. HR 157 A RTS-290 (For Service Parts See Tillotson Supplement)
105.	723-168	Carb. WD 33 RTS-340 (For Service Parts See Walbro Supplements)
106.	712-128	Whiz Lock Nut 1/4-20
107.	746-111	Throttle Cable Guide
108.	NPN	Gasket (See Kohler Supplement)
109.	718-119	Muffler Clamp 1-1/2"
110.	732-109	Muffler Hold Down Spring
111.	733-171	Muffler
112.	733-212	"F" Manifold
113.	732-102	Coil Spring For Ball Joint
114.	752-118	295 CC Kohler Engine (See Kohler Supplement For Service Parts)
	752-119	340 CC Kohler Engine (Same As Above)
115.	723-111	In-Line Fuel Filter
116.	723-110	90° Fitting
117.	723-112	Fuel Line
118.	723-107	Fuel Tank W/Cap 1-1/2 Gal.
119.	759-231	Gas-Oil Ratio Decal
120.	723-109	Fuel Tank Cap
121.	749-132	Banding Clamp
122.	723-117	Fuel Tank Mounting Strap
123.	710-144	Mach. Screw 1/4-20 x 1-1/2
124.	712-101	Hex Nut 1/4-20
125.	710-136	Hex Hd. Bolt 3/8-16 x 1-1/4
126.	736-101	Spring Lock Washer 3/8 I.D.
127.	712-106	Hex Locknut 5/16-24
128.	723-141	U-Clamp
129.	733-211	Kohler Engine Mount
130.	712-127	Hex Locknut 5/16-18

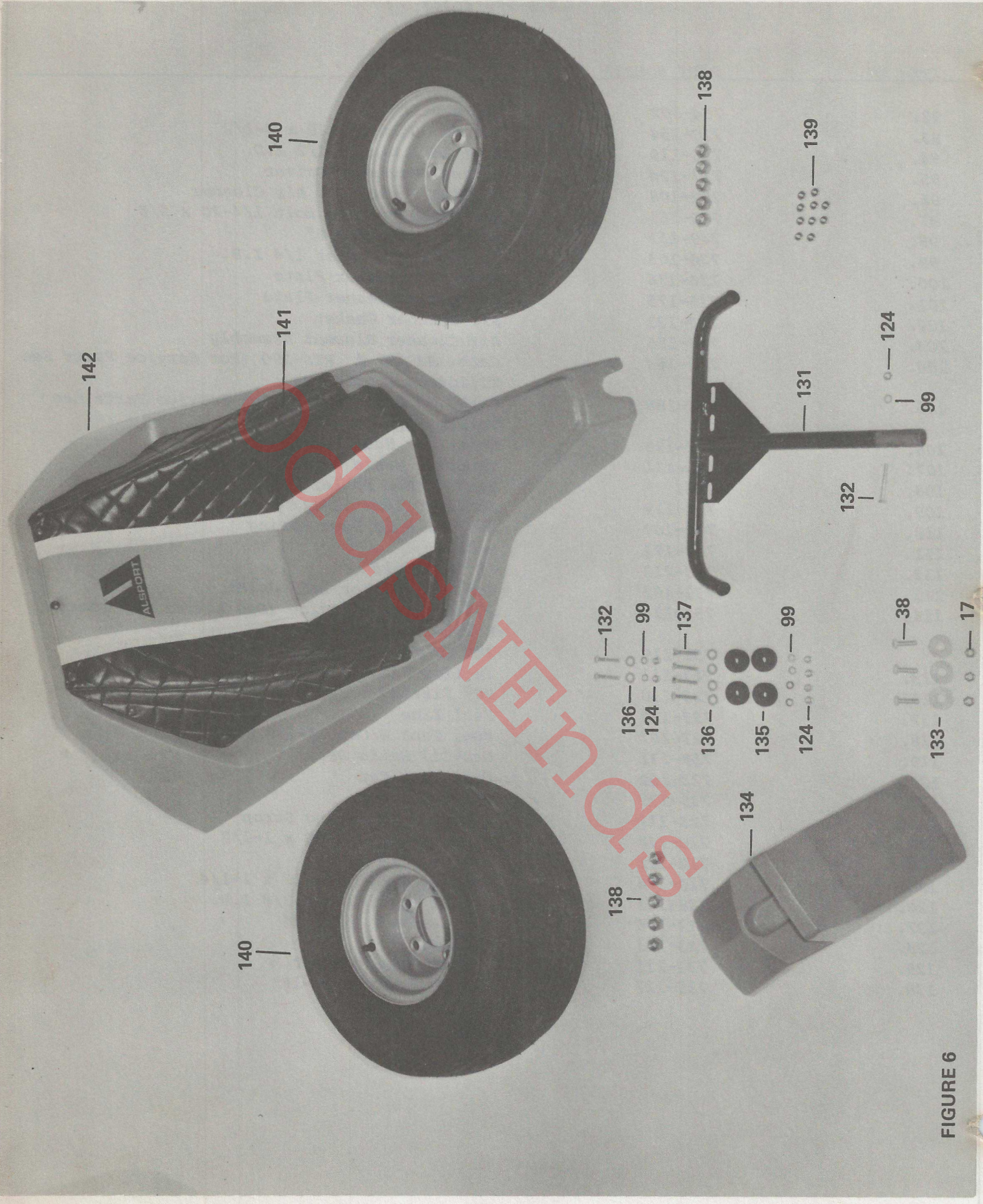


FIGURE 6

FIGURE #6

RTS-290 & 340

ITEM NO.	PART NUMBER	DESCRIPTION
131.	733-243	Seat Support
132.	710-133	Hex Hd. Bolt 1/4-20 x 2
133.	736-139	Flat Washer 3/8 I.D.
134.	751-138	Front Fender
135.	735-100	Rubber Grommet
136.	736-104	Flat Washer 5/16 I.D.
137.	710-123	Carriage HD. Bolt 1/4-20 x 1-1/2
138.	712-104	Lug Nut 1/2-20
139.	749-113	Male Seat Snaps
140.	734-149	Rear Tire & Wheel Assembly
141.	723-171	RTS Deluxe Seat Pad
142.	751-139	Large RTS Body

OddSNEEDS

Faint, mirrored text from the reverse side of the page, including phrases like "First washer 1/2 x 1/2", "Rubber gasket", and "Carriage bolt 1/2 x 1/2".

Odd's N Ends