



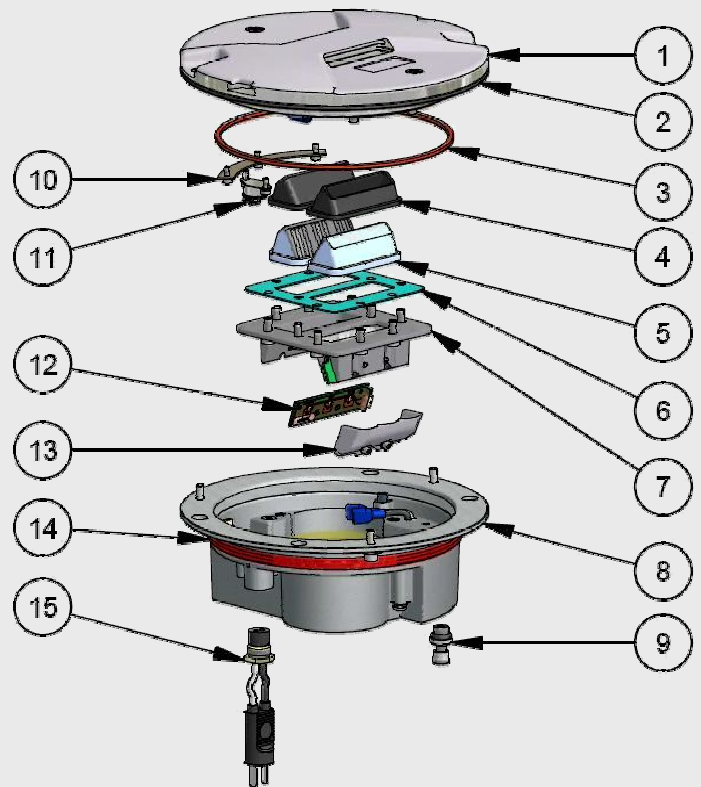




## RENEWAL PARTS FOR LIGHT UNIT

- 1 Dome
- 2 O-Ring for dome
- 3 O-Ring for lower cover
- 4 Prism Gasket
- 5 Prism
- 6 Prism holder gasket
- 7 Mounting plate
- 8 Lower cover with electronic, plug and valve
- 9 Valve for watertightness test
- 10 Arctic Kit heater
- 11 Arctic Kit thermostat
- 12 LED module with accessories
- 13 Reflector with hardware
- 14 Lower cover gasket
- 15 FAA L-823 plug

Refer to the relevant technical manual for the complete list of the available spare parts



## ACCESSORIES

- 315.1230 Base L-868 type, class IA, size B, 24" deep \*
- 315.1420 Flange ring with pavement dam for L-868 base, size B, with O-Ring and bolts
- 152.5251 Shallow base, 8" dia., one cable lead, with hardware
- 152.5261 Shallow base, 8" dia., two cable leads, with hardware
- 152.8110 Shallow base, 12" dia., one cable lead, with gasket and hardware
- 153.1110 Shallow base, 12" dia., two cable leads, with gasket and hardware
- 152.6116 Adaptor Ring 8"-12" dia. complete with hardware
- 712.1012 Setting material for shallow base, 5 l
- 712.1013 Setting material for shallow base, 20 l
- 332.4301 Positioning jig for 8"-12" dia. shallow base, without optical device
- 332.4351 Optical device for positioning jig to allow a very precise light unit orientation
- 332.4330 Watertight/shockproof plastic case complete with positioning jig for base and optical device
- 332.4140 Lifting tool (2 pieces to work properly)

\* Sectional bases may be required depending upon the paving technique

For any information about isolating transformers and connectors, please see the specific catalogue pages

### 8" Shipping Weights and Volumes

	Light Unit	Shallow Base	Light Unit & Adaptor Ring
Weight (kg)	3.6	3.2	6.75
Volume (m <sup>3</sup> )	0.007	0.007	0.013

### 12" Shipping Weights and Volumes

	Light Unit	Shallow Base
Weight (kg)	5.9	7.3
Volume (m <sup>3</sup> )	0.022	0.022

We reserve the right to change the design or specification data without notice