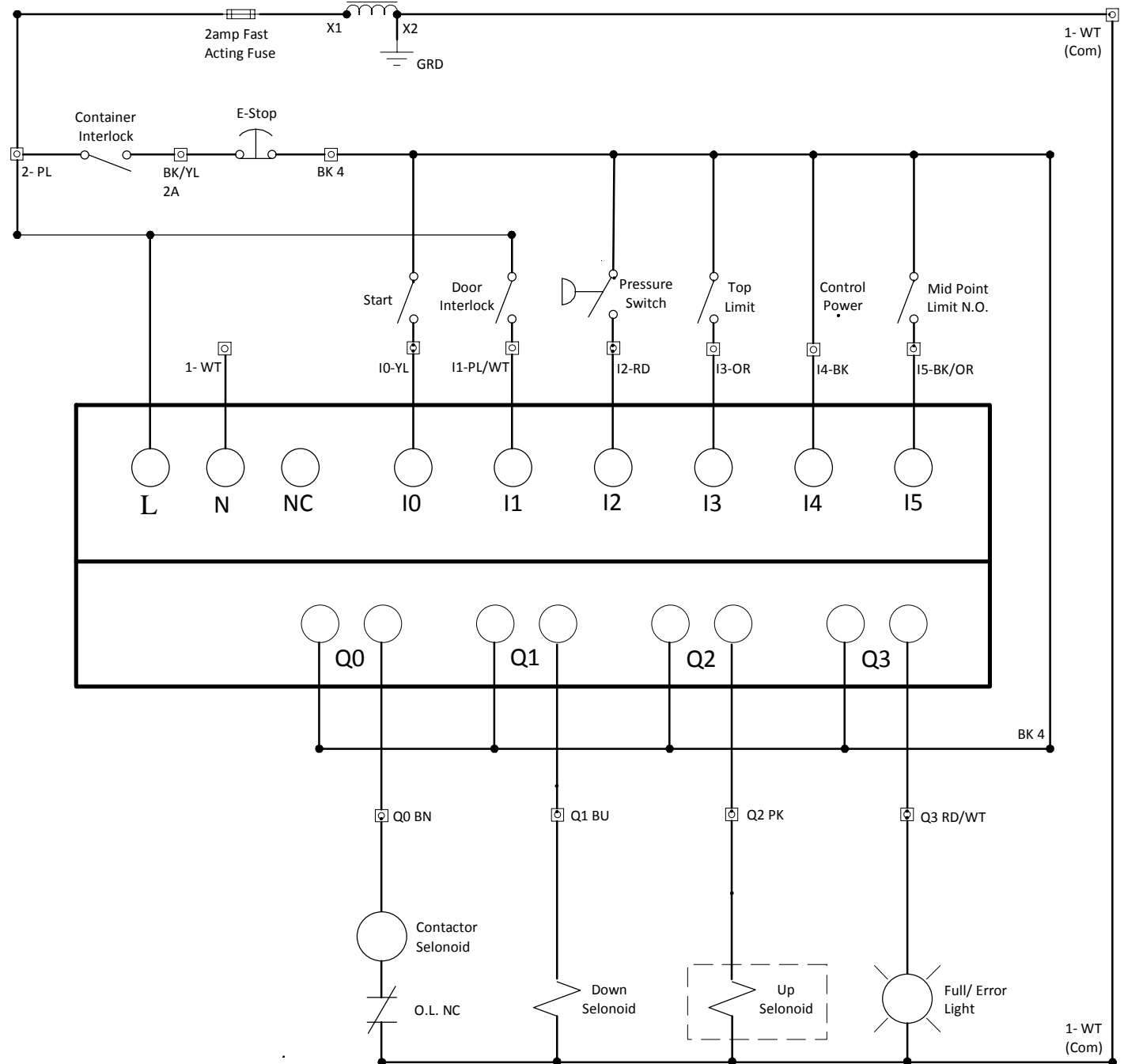
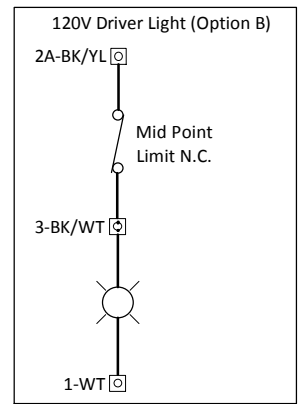
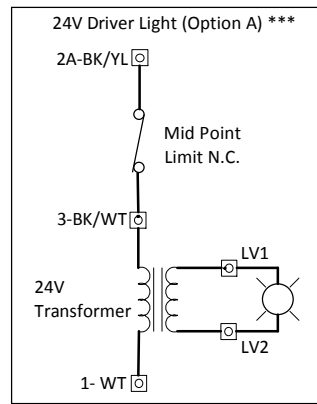
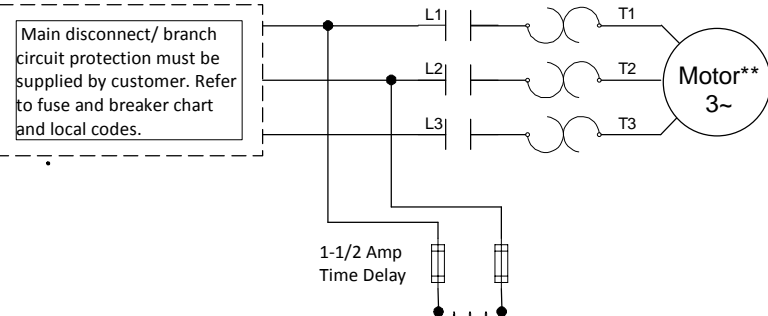


\*\*For single phase jump T2 to L3 on starter, connect motor to T1 and T3.  
 \*\*\*Earlier schematic versions used 2 instead of 2A and did not use Terminal 3.



Description: Versa-VIP V1.3 Wiring. For support go to [www.versa-vip.net](http://www.versa-vip.net) or call 352-742-4774.