

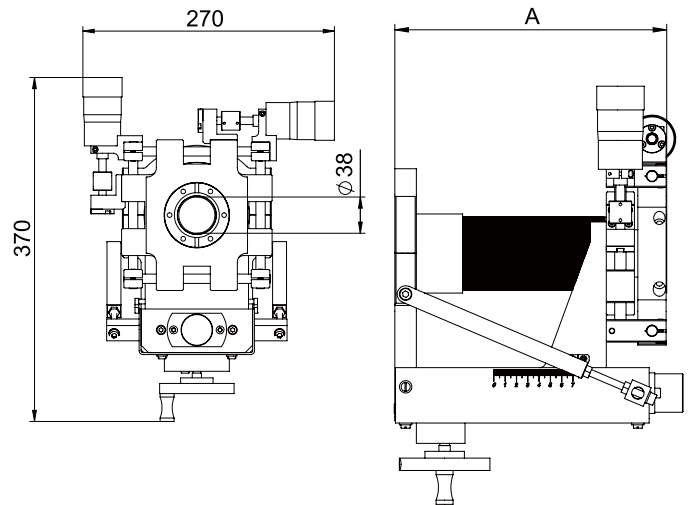
Compact XYZ Stage



This compact XYZ Stage provides precise motion and manipulation of samples inside ultrahigh vacuum environments. Mounting flanges are available in NW38CF or NW63CF flanges. Edge welded stainless steel bellows is used to allow the NW38CF flanges to travel within limited range.

Specification

- ✔ Welded Bellows Seal with SS 316
- ✔ Manual/ Motorized Actuator
- ✔ Bakeable to 150°C
- ✔ Working Pressure: 10⁻¹¹mbar to 1bar
- ✔ Micrometer with 5µm Resolution
- ✔ Upper Flange: NW38CF, tapped holes
- ✔ Lower Flange: NW63CF, clear holes



Moving Flange OD		XY Movement	Z Movement	A Compressed	A Extended	Weight (Kg)	Part Number
mm	inch			mm			
70	2.75	±12.5	75	165	240	9.5	XYZ75
			100	165	265	10	XYZ100
			150	165	315	11	XYZ150