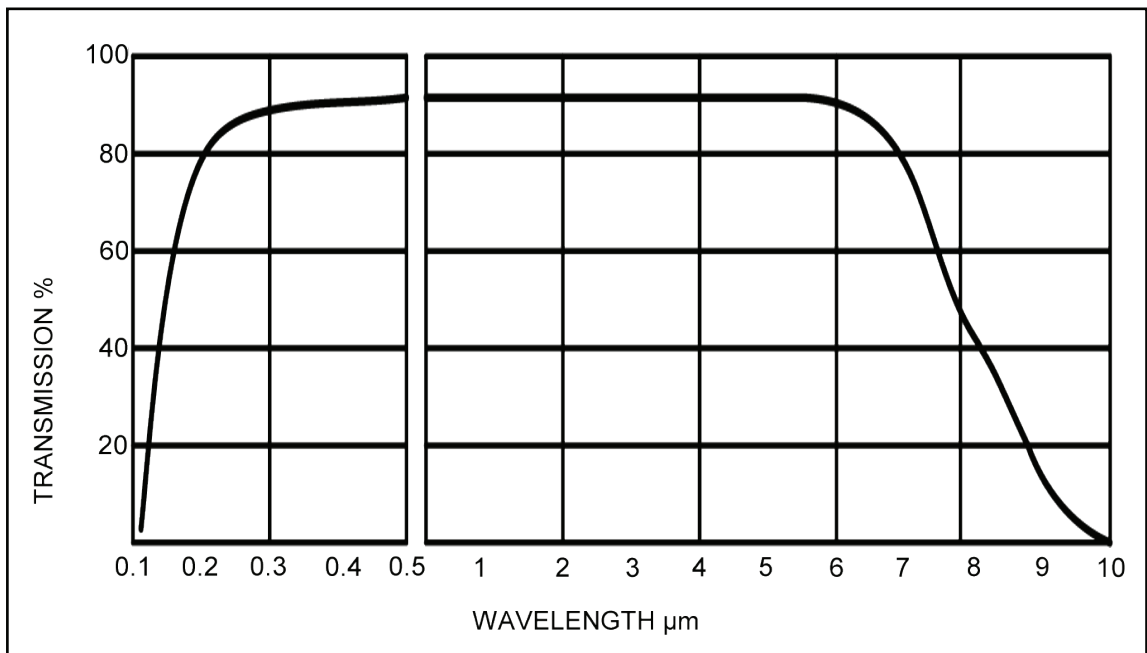


Specification	
Seal Type	Bond
Maximum Temperature	120°C
Minimum Temperature	minus 20°C
Maximum Rate of Temperature Change	3°C per minute
Leak Rate	1×10^{-10} atm-cc/sec (He)
Pressure Range	1 bar to 1×10^{-11} mbar
Surface Quality	60 /40 scratch/dig
Flatness	$\lambda/4$

Torr Scientific magnesium fluoride viewports are offered in CF, ISO and KF flange styles. The clean, UHV CF versions are offered using 304L or 316LN stainless steel flanges. Non-magnetic viewports are offered as standard using annealed stainless steel weld rings and high grade 316LN and CF flanges. Flanges in 316L stainless steel are used for the high vacuum KF and ISO viewports. The rugged, bonded construction of the magnesium fluoride viewports allows bake-out to a maximum of 120°C with ultra high vacuum (UHV) performance whilst the window offers extended broadband optical transmission from deep UV to the infra-red. Specially coated optics optimised to minimise reflectance at customer specified wavelength can be quoted on request. Non-standard viewports can be manufactured on request, including re-entrant style microscope/camera viewports. Annealed copper gaskets and other component accessories are also supplied by TSL.

Transmission Curve - Magnesium Fluoride



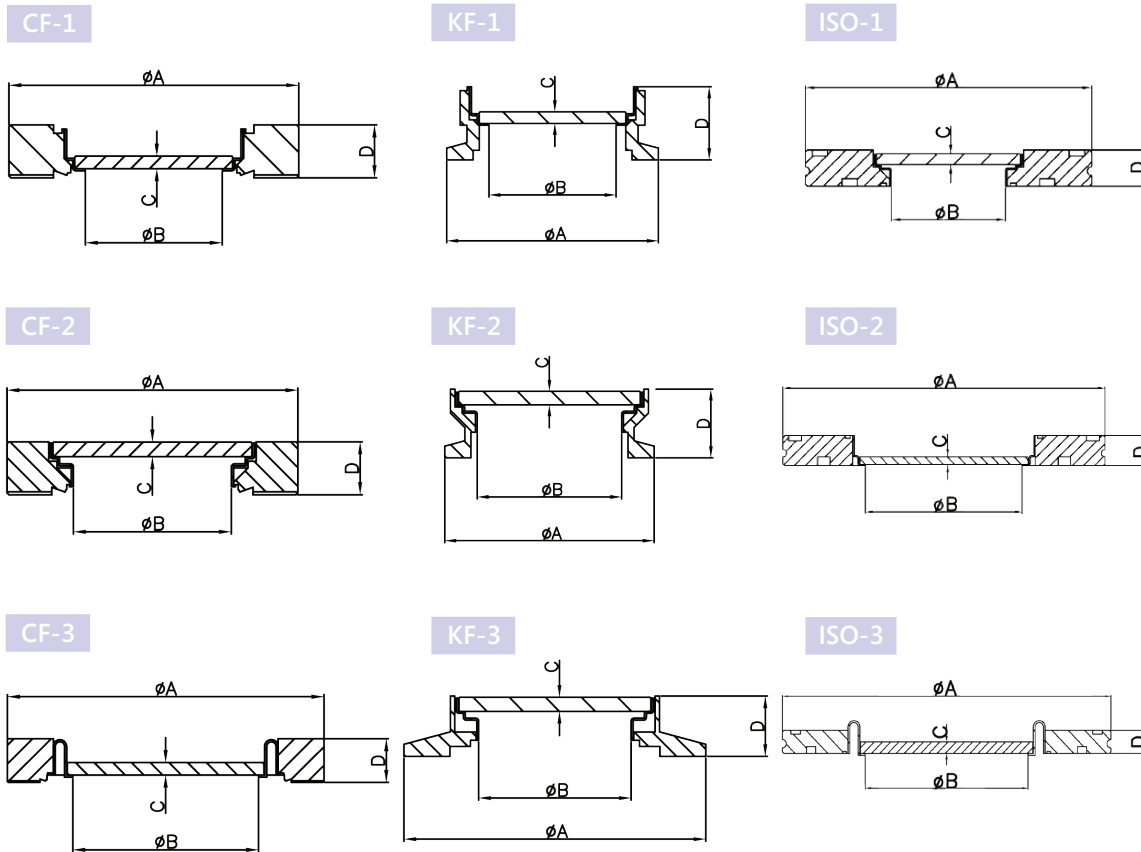
Please note that the optical transmission curves are approximations and should be used for reference only



Magnesium Fluoride Zero Length Viewports



Magnesium Fluoride Zero Length Viewports



Part Number	Flange Type	A	B	C	D	Diagram	Flange Material	Weld Ring Material	Non-Magnetic
BVPZ16MgF2	NW16CF	34	15	2.5	12.7	CF-1	304L	316L	
BVPZ16MgF2-NM	NW16CF	34	15	2.5	12.7	CF-1	316LN	316L Annealed	Yes
BKVPZ16MgF2	KF16	40	15	2.5	15	KF-1	304L	316L	
BKVPZ25MgF2	KF25	40	20	3	18.5	KF-1	304L	316L	
BVPZ38MgF2	NW35CF	70	32	3	12.7	CF-1	304L	316L	
BVPZ38LAMgF2	NW35CF	70	38	4	12.7	CF-2	304L	316L	
BVPZ38MgF2-NM	NW35CF	70	32	3	12.7	CF-1	316LN	316L Annealed	Yes
BKVPZ40/32MgF2	KF40	55	32	3	12.7	KF-1	304L	316L	
BKVPZ40MgF2	KF40	55	38	4	18.5	KF-2	304L	316L	
BKVPZ50MgF2	KF50	75	38	4	15	KF-3	304L	316L	
BVPZ64MgF2	NW63CF	114	63	5	17.4	CF-1	304L	316L	
BVPZ64MgF2-NM	NW63CF	114	63	5	17.4	CF-1	316LN	316L Annealed	Yes
BISO63VPZMgF2	ISO63	95	38	4	12	ISO-1	304L	316L	
BVPZ100MgF2	NW100CF	152	89	6.5	19.9	CF-3	304L	316L	
BVPZ100MgF2-NM	NW100CF	152	89	6.5	19.9	CF-3	316LN	316L Annealed	Yes
BISO100VPZMgF2	ISO100	130	63	5	12	ISO-2	304L	316L	
BVPZ150MgF2	NW150CF	203	136	9.5	22.3	CF-3	304L	316L	
BVPZ150MgF2-NM	NW150CF	203	136	9.5	22.3	CF-3	316LN	316L Annealed	Yes
BISO160VPZMgF2	ISO160	180	89	6.5	12	ISO-3	304L	316L	
BVPZ200MgF2	NW200CF	254	136	9.5	24.5	CF-3	304L	316L	