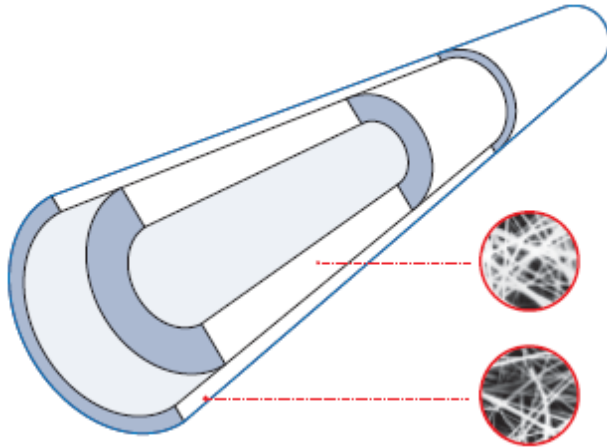
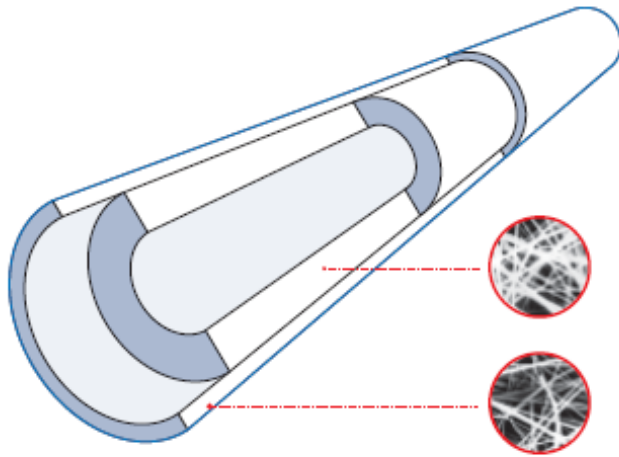


PP Series – PP Two-Layer Melt Blown Depth Filter Cartridges



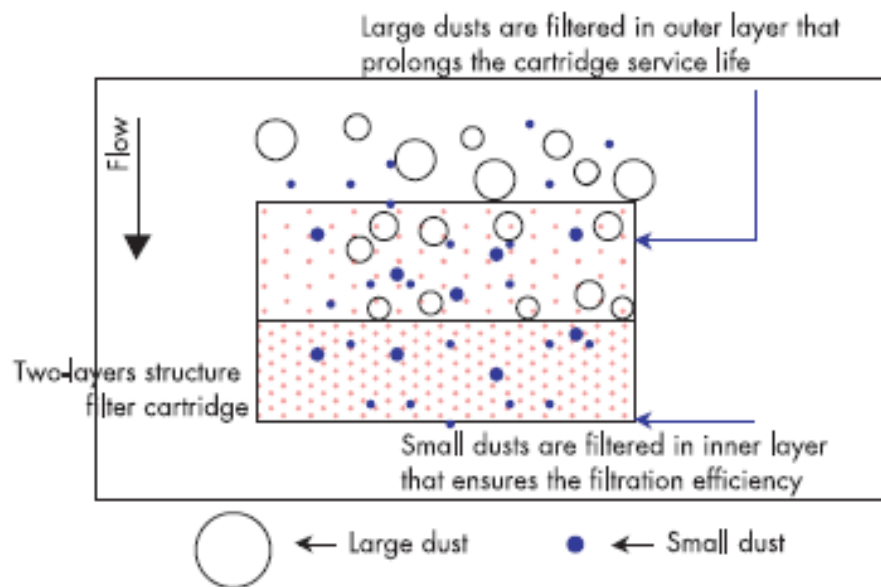
**PP Series
PP Two-layer Melt Blown Depth
Filter Cartridge**

- ❑ **Nominal micron ratings of 0.5 to 100**
- ❑ **Available in sizes 9.87", 10", 20", 30" and 40".**
- ❑ **NSF42 and FDA CFR Title 21 certified**
- ❑ **100% Polypropylene allows compatibility with most process fluids**
- ❑ **Micro-denier melt blown fiber provides high removal ratings**
- ❑ **Two Layer structure provides**
 - Two different pore diameters
 - Longer service life
 - Lower pressure drop
- ❑ **Formed by thermal bonding without use of binders or adhesives**
- ❑ **Recommended uses**
 - Chemical – Low viscosity solution
 - Film – Fixative
 - Food – Syrups
 - Machine – Recycled water
 - Paint – Electrophoretic paint
 - Water treatment – Pre-filtration
 - Electronics – Electroplating solution



Suggested equivalent products

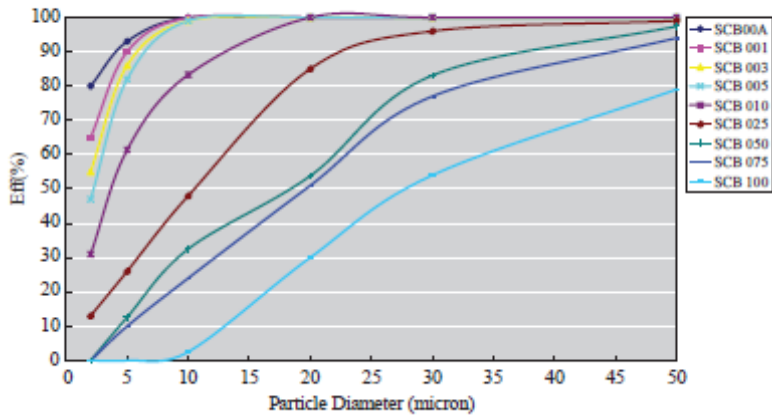
- Filterite Claris
- Osmonics Hytrex



Specifications

Item	Technical data
Micron ratings nominal (micro)	0.50 1.0 3.0 5.0 10 25 50 75 100
Material of construction	100% Melt Blown Micron-denier Polypropylene Fiber
Length (inch)	9.87 10 20 30 40
Inner diameter (inch)	1.1
Outer diameter (inch)	2.5
Maximum operating forward pressure	176 °F: 17 psi 140 °F: 30 psi 68 °F: 60 psi
Recommended replaceable pressure drop	30 psi
Industry	Chemical, Film, Food, Machine, Paint, Water Treatment, Electronics
Maximum working temperature	176 °F

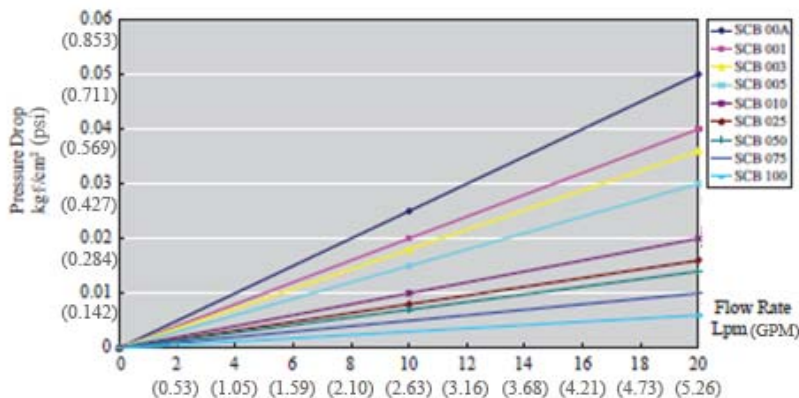
Efficiency of Filtration



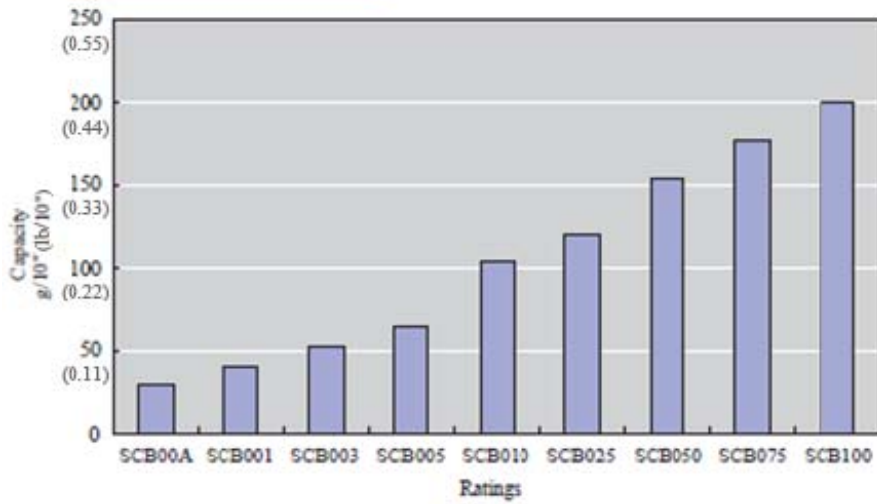
Micron Ratings

- SCB 00A = 0.5
- SCB 001 = 1.0
- SCB 003 = 3.0
- SCB 005 = 5.0
- SCB 010 = 10
- SCB 025 = 25
- SCB 050 = 50
- SCB 075 = 75
- SCB 100 = 100

Initial Pressure Drop



Capacity of Dust



Micron Ratings

- SCB 00A = 0.5
- SCB 001 = 1.0
- SCB 003 = 3.0
- SCB 005 = 5.0
- SCB 010 = 10
- SCB 025 = 25
- SCB 050 = 50
- SCB 075 = 75
- SCB 100 = 100

Product Codes

S-	C-	B-	0987-	005-	E	0-	P
	Outer Dia	Inner Dia	Bag Length	Micron Rating	O-ring	End Cap	Inner Core
	2.5"	1.1"	0987=9.87" 1000=10.0" 2000=20.0" 3000=30.0" 4000=40.0"	00A=0.5 001=1 003=3 ...up to... 100=100	E=EPDM N=Buna N S=Silicone V=VITON T=PFA encapsulated w/Viton A=PE (gasket only)*	Blank=Double Open F= Double Open w/ Cap (DOE) 0=222/Flat 5=222/Fin 6=226/Flat 7=226/Fin	P = PP

*PE gasket with max temperature at 140 °F

Example:

S-C-B-0987-005-E-0-P