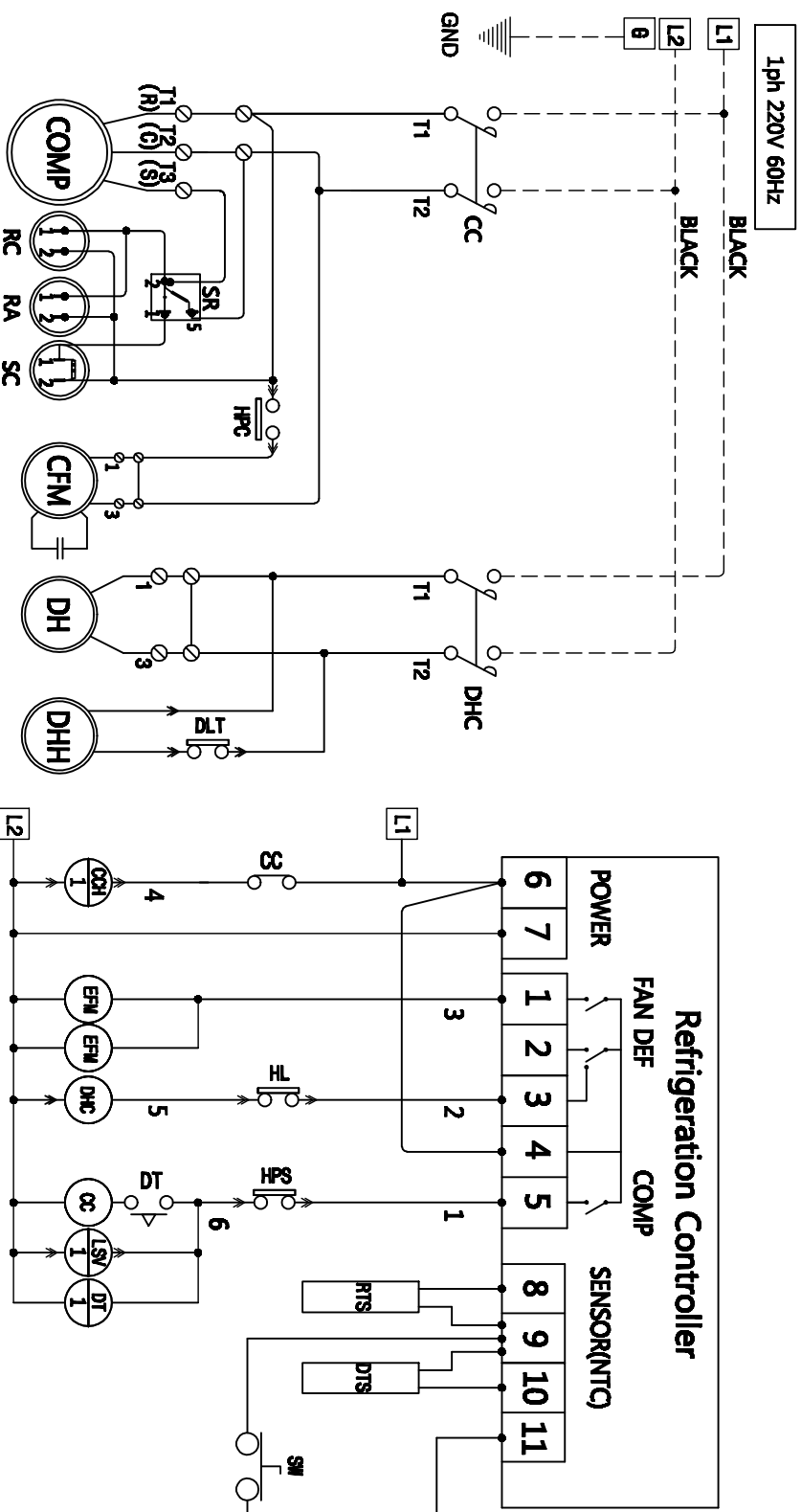


Electrical Wiring Diagram

Model : IQT042LRB

Factory Wiring

Field Wiring



LEGEND

CC (C1)	COMPRESSOR CONTACTOR	DHC (C2)	DEFROST HEATER CONTACTOR	DT	DELAY TIMER
CFM	CONDENSER FAN MOTOR	DH	DEFROST HEATER	SR	START RELAY
EFM	EVAPORATOR FAN MOTOR	DHH	DRAIN HOSE HEATER	RC,RA	RUN CAPACITOR
HPS	HIGH PRESSURE SWITCH	HL	HEATER LIMIT THERMISTOR	SC	START CAPACITOR
HPC	HIGH PRESSURE CONTACTOR	CCH	CRANKCASE HEATER	SW	ON/OFF SWITCH
LSV	LIQUID SOLENOID VALVE	RTS	ROOM THERMOSTAT SENSOR	DTS	DEFROST TEMPERATURE SENSOR
		DLT	DRAIN LINE THERMOSTAT	GND	GROUND