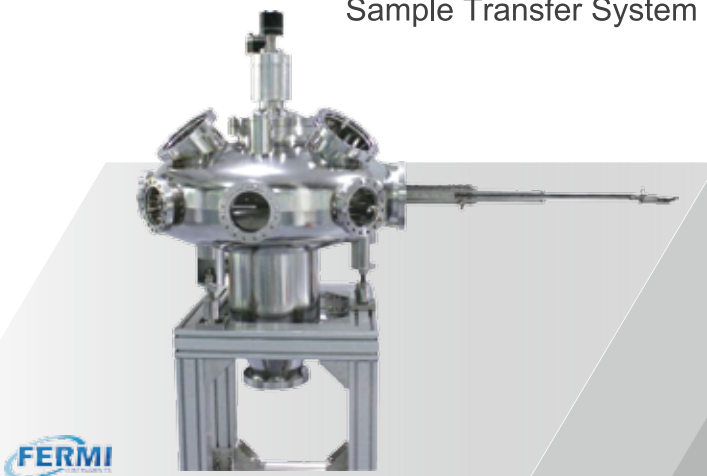


Radial Distribution

Sample Transfer System



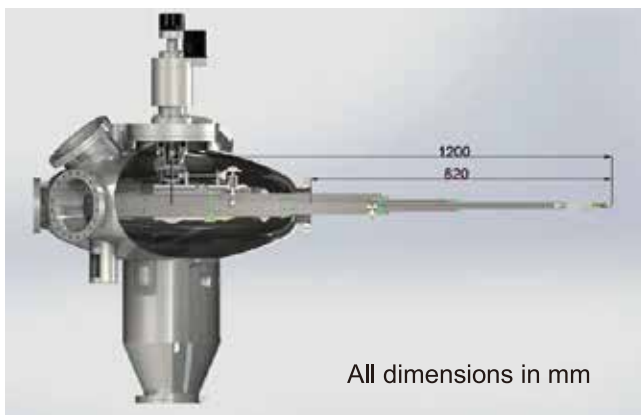
This Radial Distribution System is hosted in a UFO shaped chamber and thus normally mentioned as UFO system. The chamber is in UHV standard and made from SS316.

UFO Chamber is very important in multi-purpose system as it will connect different systems as one piece and samples can travel freely in UHV environment and could be measured in-situ.

Up to 8 sub-systems could be connected to the UFO system. This UFO Assembly is equipped with cutting-edge transfer mechanism and the transfer arm could extend longer than the diameter of the chamber (820 mm from the port edge). This extension is useful and thus sub-systems could sit further away from the UFO and leave more space for operation and system expansion.

Specification

- ✓ Base pressure: $< 5 \times 10^{-10}$ mbar
- ✓ Optimized mechanical structure and materials guarantee less degassing
- ✓ Extension capability: up to 8 sub-systems
- ✓ Stroke: 820mm (measured from the port edge), the longest one in the market



Chamber Size	700 mm O.D.
Mounting Flange of Arm	CF200
Maintenance Flange	CF150
Connecting Flange	CF100
Rotation of Transfer Arm	360° continuous
Extending Stroke (from the flange)	820mm
Maximum arm length	1200mm
Rotation accuracy	$< 0.1^\circ$
Highest baking temperature	120 °C
Maximum load	1kg