



by Honeywell

SpectraAlert® Advance

Description

The SpectraAlert® Advance audible visible notification products are UL® 464 Compliant for the 520 Hz low frequency signal. The SpectraAlert Advance Series offer the most versatile and easy-to-use line of low frequency sounder and low frequency sounder strobes in the industry. With white and red plastic housings and Listed for dual wall and ceiling mountings, the SpectraAlert Advance complies with any application requirement. The low frequency sounder and sounder strobes are rich with features guaranteed to reduce the installation times and maximize profits.

Like the entire SpectraAlert Advance product line, the wall-mount low frequency sounder and the low frequency sounder strobes include a variety of features that increase their application versatility while simplifying the installation. All devices feature plug-in designs with minimal intrusion into the backbox, making installations fast and foolproof while eliminating costly and time-consuming ground faults.

To simplify the installation and protect the devices from construction damage, SpectraAlert Advance uses a universal mounting plate with an on-board shorting spring. This feature allows installers to test wiring continuity before the device is installed.

Installers can easily adapt devices to suit a wide range of application requirements using the field-selectable candela settings, automatic selection of 12- or 24-volt operation, and a rotary switch for low frequency sounder tones.

SpectraAlert Advance Specifications Architect/Engineer Specifications

General

The SpectraAlert Advance low frequency sounder and low frequency sounder strobes shall mount to a standard 4" x 4" x 1-1/2" (10.16 x 10.16 x 3.81 cm) backbox, 4" (10.16 cm) octagon backbox, or double-gang backbox. Two-wire products shall also mount to a single-gang 2" x 4" x 17/8" (5.08 x 10.16 x 5.39 cm) backbox. A universal mounting plate shall be used for mounting products. The notification appliance circuit wiring shall terminate at the universal mounting plate.

Low Frequency Sounder

The low frequency sounder shall be a System Sensor SpectraAlert Advance Model Listed to UL 464 and shall be approved for fire protective service. The low frequency sounder and the Sync•Circuit™ MDL3 Module accessory, if used, shall be powered from a notification appliance circuit output and shall operate on a nominal 12 or 24 volts (includes fire alarm panels with built-in sync).

SpectraAlert® is a registered trademark of Honeywell International Inc.

Sync•Circuit™ is a trademark of System Sensor Inc.

UL® is a registered trademark of Underwriter's Laboratories Inc.

Selectable-Output Low Frequency Sounder and Low Frequency Sounder Strobes for Wall Applications



SpectraAlert Advance Series

Features

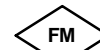
- Complies with UL® Standard 464 520 Hz low frequency.
- Listed for ceiling or wall mounting.
- Offers a plug-in design with minimal intrusion into the backbox.
- Built with a tamper-resistant construction.
- Uses field-selectable candela (cd) settings on the following types of wall units:
 - 135 cd - 177 cd
 - 150 cd - 185 cd
- Provides a low frequency sounder rated at 76+ dBA at 16 volts.
- Contains a rotary switch for a low frequency sounder tone.
- Includes a universal mounting plate for wall units.
- Designed with a mounting plate shorting spring that checks wiring continuity before the device installation.
- Electrically compatible with the following:
 - Legacy SpectraAlert devices - MDL3 Sync Module

SIGNALING



LISTED

S4011 (Sounder)
S5512 (Sounder)



APPROVED

3047563



7135-1653:0223

7125-1653-0224



GAMEWELL-FCI

12 Clintonville Road, Northford, CT 06472-1610 USA • Tel: (203) 484-7161 • Fax: (203) 484-7118

Specifications are for information only, are not intended for installation purposes, and are subject to change without notice. No responsibility is assumed by Gamewell-FCI for their use.

©2014 by Honeywell International Inc. All rights reserved.

www.gamewell-fci.com

9021-60787 Rev. B page 1 of 4

Low Frequency Sounder (Continued)

When it is used with the Sync•Circuit Module MDL3, 12-volt rated notification appliance circuit outputs shall operate between 8.5 and 17.5 volts; 24-volt rated notification appliance circuit outputs shall operate between 16.5 to 33 volts. If the notification appliances are not UL 9th Edition Listed with the corresponding panel or power supply being used, then refer to the compatibility listing of the panel to determine the maximum devices on a circuit. The low frequency sounder has an option to switch between temporal three pattern, non-temporal (continuous) pattern and coded supply. The low frequency sounder shall operate on a coded or non-coded power supply.

Also, SpectrAlert Advance products, when used with the Sync.Circuit. Module accessory, shall be powered from a non-coded notification appliance circuit output and shall operate on a nominal 12 or 24 volts. When used with the Sync.Circuit Module, 12-volt-rated notification appliance circuit outputs shall operate between 8.5 and 17.5 volts; 24-volt-rated notification appliance circuit outputs shall operate between 16.5 and 33 volts. Indoor SpectrAlert Advance products shall operate between 32 and 120 degrees Fahrenheit from a regulated DC or full-wave rectified unfiltered power supply. Low Frequency Sounder strobes shall have field-selectable candela settings including 135, 150, 177, and 185.

Low Frequency Sounder Strobe Combination

The low frequency sounder strobe shall be a System Sensor SpectrAlert Advance Model Listed to UL 1971 and UL 464 and shall be approved for fire protective service. The low frequency sounder strobe shall be wired as a primary-signaling notification appliance and comply with the Americans with Disabilities Act requirements for visible signaling appliances, flashing at 1 Hz over the strobe's entire operating voltage range. The strobe light shall consist of a xenon flash tube and associated lens/reflector system. The sounder shall have an option to switch between a temporal three pattern and a non-temporal (continuous) pattern. These options are set by a multiple position switch. The low frequency sounder on low frequency sounder strobe models shall operate on a non-coded power supply.

Synchronization Module

The module shall be a System Sensor Sync.Circuit model MDL3 Listed to UL Standard 464 and shall be approved for fire protective service. The module shall synchronize SpectrAlert strobes at 1 Hz and low frequency sounder at temporal three. Also, while operating the strobes, the module shall silence the low frequency sounder on low frequency sounder strobe models over a single pair of wires. The module shall mount to a 4 11/16" x 4 11/16" x 2 1/8" (11.90 x 11.90 x 5.39 cm) backbox. The module shall also control 2 Style Y (Class B) circuits or (1) Style Z (Class A) circuit. The module shall synchronize multiple zones. Daisy chaining two or more synchronization modules together will synchronize all the zones they control. The module shall not operate on a coded power supply.

Physical/Electrical Specifications

Standard Operating Temperature	32°F to 120°F (0°C to 49°C)
Humidity Range	10 to 93% non-condensing
Strobe Flash Rate	1 flash per second
Nominal Voltage Low Frequency Sounder Strobe	Regulated 12VDC/FWR or regulated 24 DC/FWR ¹
Nominal Voltage Range Low Frequency Sounder	Regulated 12 VDC/FWR ¹
Operating Voltage Range	8 to 17.5 V (12 V nominal) or 16 to 33 V (24 V nominal)
Operating Voltage Range MDL3 Sync Module	8.5 to 17.5 V (12 V nominal) or 16.5 to 33 V (24 V nominal)
Input Terminal Wire Gauge	12 to 18 AWG
Wall-Mount Dimensions (including lens)	6.4" L x 4.7" W x 2.5" D (162 mm L x 119 mm W x 64 mm D)
Sounder Dimensions	5.6" L x 4.7" W x 1.3" D (142 mm L x 119 mm W x 33 mm D)
Low Frequency Sounder/ Strobe with Surface Mount Back Box Dimensions (SBBR, SBBW)	6.4" L x 4.7" W x 4.3" D (162 mm L x 120 mm W x 108 mm D)
Low Frequency Sounder with Surface Mount Back Box Dimensions (SBBR, SBBW)	5.7" L x 4.8" W x 3" D (145 mm L x 120 mm W x 76 mm D)

Notes:

1. Full Wave Rectified (FWR) voltage is a non-regulated, time-varying power source that is used on some power supply and panel outputs.

GAMEWELL-FCI

UL Current Draw Data

UL Max. Strobe Current Draw (mA RMS)

		8-17.5 Volts			16-33 Volts	
	Candela	DC	FWR	DC	FWR	
High Candela Range	135	NA	NA	228	207	
	150	NA	NA	246	220	
	177	NA	NA	281	251	
	185	NA	NA	286	258	

UL Max. Low Frequency Current Draw (mA RMS)

		8-17.5 Volts		16-33 Volts	
Sound Pattern	dB	DC	FWR	DC	FWR
Temporal	High	191	262	138	166
Continuous	High	292	384	138	208
Coded	High	292	388	153	205

UL Max. Current Draw (mA RMS), 2-Wire Low Frequency Sounder Strobe, High Candela Range (135-185 cd)

		16-33 Volts				16-33 Volts				
DC Input		135	150	177	185	FWR Input	135	150	177	185
Temporal		277	292	325	344	Temporal	296	309	343	351
Continuous		337	362	387	417	Continuous	393	395	432	433

Low Frequency Sounder Tones and Sound Output Data

Low Frequency Sounder and Low Frequency Sounder Strobe Output (dBA)

		8 - 17.5 Volts		16 - 33 Volts		24-Volt Nominal			
						Reverberant		Anechoic	
Switch Position	Sound Pattern	DC	FWR	DC	FWR	DC	FWR	DC	FWR
1	Temporal	76	76	76	76	76	76	86	86
2	Continuous	80	80	80	80	80	80	90	90
3‡	Coded	80	80	80	80	80	80	90	90

‡Sounder ratings provided are for continuous voltage as provided by the NAC.

SpectrAlert Advance Dimensions

Figure 1 illustrates the Wall-mount Low Frequency Sounder Strobes. Figure 2 shows the Wall-mount Low Frequency Sounder.

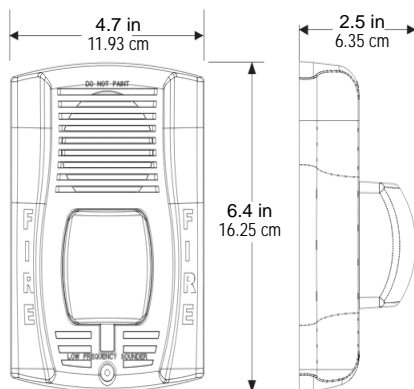


Figure 1 Wall-mount Low Frequency Sounder Strobes

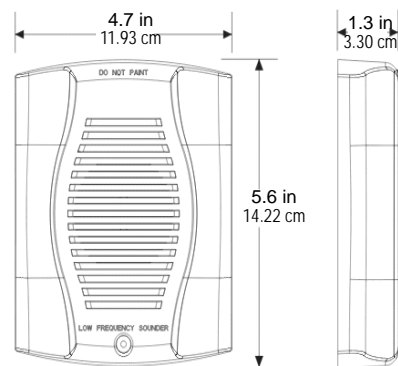


Figure 2 Wall-mount Low Frequency Sounder

GAMEWELL-FCI

12 Clintonville Road, Northford, CT 06472-1610 USA • Tel: (203) 484-7161 • Fax: (203) 484-7118

www.gamewell-fci.com

9021-60787 Rev. B page 3 of 4

SpectrAlert Advance Ordering Information

Part Number Description

Wall Low Frequency Sounder Strobes

P2RH-LF 2-Wire Low Frequency Sounder Strobe, High cd, Red

P2WH-LF 2-Wire Low Frequency Sounder Strobe, High cd, White

Low Frequency Sounders

HR-LF Low Frequency Sounder, Red

HW-LF Low Frequency Sounder, White

Notes: "High cd" refers to strobes that include 135, 150, 177, and 185 candela settings.

SpectrAlert Advance Ordering Information

Part Number Description

Accessories

BBS-2 Back Box Skirt, Wall, Red

BBSW-2 Back Box Skirt, Wall, White

SBBR Surface Mount Back Box, Wall, Red

SBBW Surface Mount Back Box, Wall, White

TR-HS Trim Ring, Wall, Red

TRW-HS Trim Ring, Wall, White

GAMEWELL-FCI

12 Clintonville Road, Northford, CT 06472-1610 USA • Tel: (203) 484-7161 • Fax: (203) 484-7118
9021-60787 Rev. B page 4 of 4

www.gamewell-fci.com