

# Radio Interface Cable

For NCS-C250 Mobile Multi-Switcher

NCS Model Number

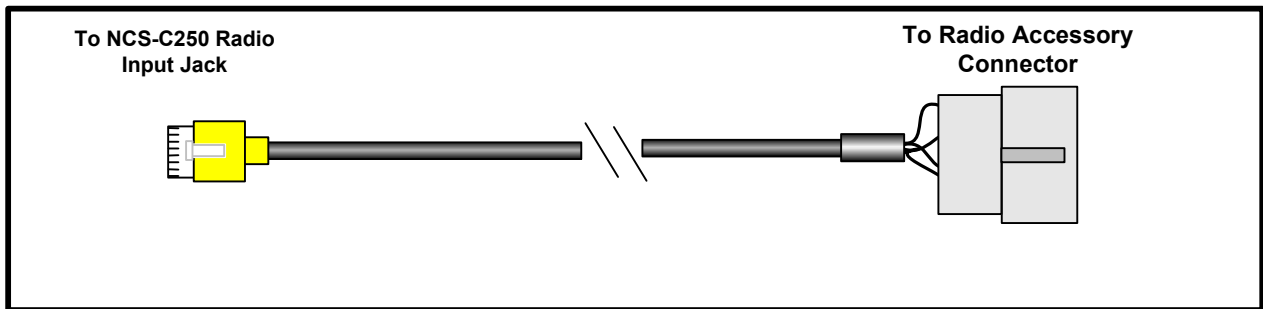
## NCS-250-KJA-XX

### Compatible Radios:

TK-630

TK-730

TK-830



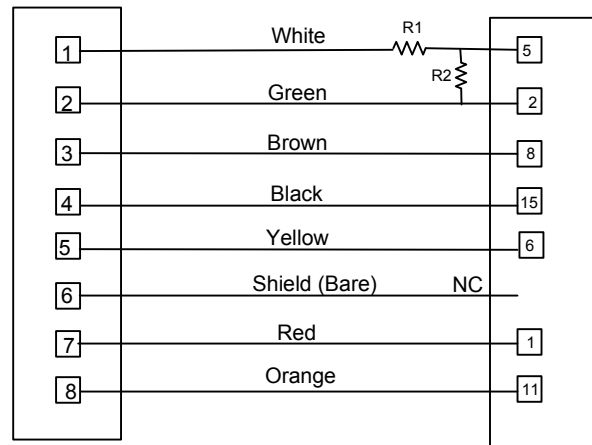
### RJ-45

Pin #	Wire Color	Function
1	White	Mic Hi
2	Green	Mic Lo
3	Brown	PTT
4	Black	Ground
5	Yellow	Rx Audio
6	Shield	Ground
7	Red	Hook Switch*
8	Orange	COR*

\*Active only if COR Option and/or Hook Switch Option installed.

RJ-45

15 Pin Molex



## Cable Wiring

### Note:

The following radio modification is required to make the COR output available on Pin 11 of the accessory connector:

1. Add a jumper from IC103 pin 4 to CN106 pin 9.