

Catalog | 2016

Table of Content

Company Overview.....	3
Company Strength	3
Wellhead Engineering Design	4
Conventional Sweet Flowing Wellhead	4
Conventional Sour Flowing Wellhead.....	5
Artificial Lift Wellhead: PCP Wellhead	6
Artificial Lift Wellhead: Thermal Pumping Wellhead	7
Artificial Lift Wellhead: Thermal ESP Wellhead	8
Multi-Bowl Wellhead System.....	9
Casing Heads C-22 and C-29	10
Casing Spools C-22 and C-29.....	11
Tubing Spools and TCM Tubing Spools	12
Casing Hanger C-22, C-21, C-21-P and C-29	13
Secondary Seals.....	14
Tubing Hangers	15
Tubing Head Adapters	16
Tree Caps, Tees & Cross, DSA's and Flanges	17
Thermal and Conventional Production BOPs.....	18
Consumables	19
Conventional Wellhead Configuration Chart.....	20
Product Warranty	21
Terms and Conditions	21

Company Overview

PetroPi Industries Ltd. provides drilling and completion designs, new and remanufactured wellhead equipment, and service personnel to the oil and gas industry. Our products are used both in the drilling and completion phases, and used both in Conventional and Thermal application. PetroPi has in-house machine capabilities which allows us to quickly and efficiently repair existing customer owned wellheads.

Company Strength

Wellhead Engineering Design

Experienced wellhead engineers are available to provide consulting and designs to conventional wellhead system and thermal wellhead system, include but not limit to flowing wellhead system, Artificial Lift Wellhead system (Rod Pumping Wellhead system, PCP, ESP, Gas Lift, Frac) in sweet, sour and corrosive well systems.

Superior Customer Service

qualified technicians are available 24 hours a day, 7 days a week for installation, repair, maintenance of all types of production wellheads, production trees, and valves. PetroPi provides the resources, employs motivated and knowledgeable personnel to satisfy the customer's needs in a timely manner.

Convenience

Offer clients a wide range of products/services in a flexible and timely manner. In house machine capability allows PetroPi to quickly manufacture and efficiently remanufacture customer owned components.

Low Cost Country Manufacturing, and Testing Capabilities

PetroPi has a long-term relationship with a manufacturing research and development team in the Canada and China. This relationship allows us access to engineering, testing and a manufacturing floor in China that gives us the ability to pass on cost savings to our customers.

Location

Excellent and easily accessible locations that offer proximity to drilling activity, flexibility for our clients needs while providing a positive, attractive and inviting atmosphere.

Dependability and Reliability

Provide a continued research/development program to design and manufacture state of the art products. Provide solutions to each and every customer's unique requirements. Stand behind our products and services throughout the entire business cycle. Improve products and services by analyzing our customer needs. We offer a one year warranty on all new and remanufactured equipment as well as on all full repairs performed in our facilities.

Safety

We are a current, active member in ISNetworld and have a thorough, detailed safety training program. All PetroPi employees are enrolled in ongoing training programs. JSA's are used on every job site.

Environmental

Provide a clean, upscale work environment conducive to maintaining an innovative atmosphere.

Wellhead Engineering Design

Wellhead engineering team is dedicated to support our customer needs. We provide support to manufacturing and sales along with technical assistance to customers. Our engineering team provides support on all API-6A products including full range of gate valves, wellheads, frac equipment and other specialized products. Our engineering team offers consultation for customers to provide a high-end solution to their specific needs. We can handle specific requirements and provide custom-made solutions that help to supply customized equipment. We design and manufacture high-quality wellhead systems to suit all casing size requirements – to full API specifications, including:

- Conventional stack-up wellhead systems that use mandrel casing hangers or slip-and-seal casing hangers.
- Thermal wellhead system with temperature up to 650 °F (API 6A temperature class Y).
- Full-bore and slim-hole multi-bowl-style casing head systems for drill-through system technologies, which utilize primary mandrel hangers and packoff for casing support with contingency slip-and-seal casing hangers.

Conventional Sweet Flowing Wellhead

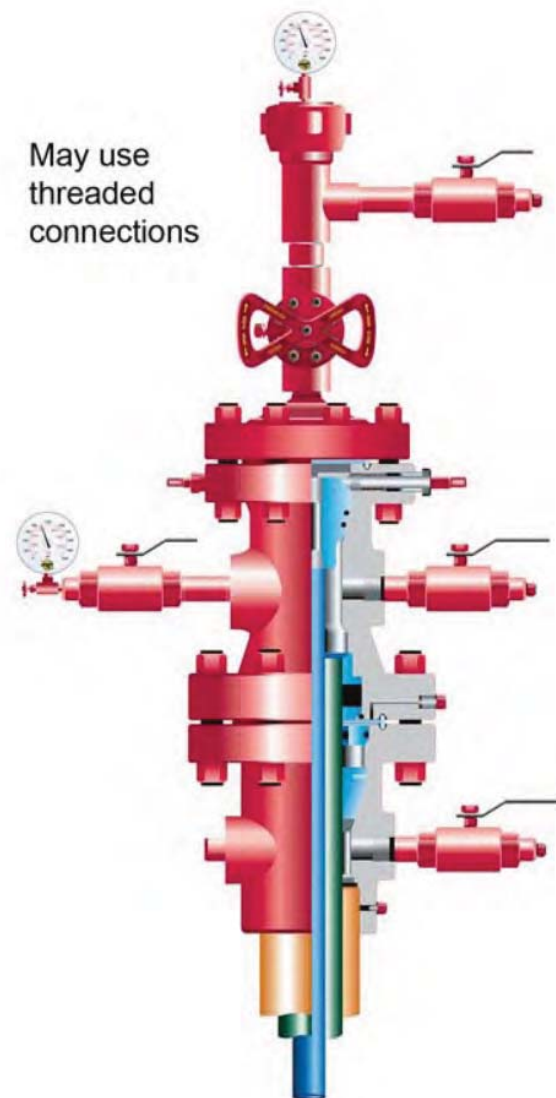
Normally the threshold between sweet and sour flowing wells is 0.3 kPa Hydrogen Sulfide (H₂S) partial pressure (PP). Hence, sweet flowing wells are defined as wells with less than 0.3 kPa H₂S PP that flow to surface without the assistance of any means of artificial lift.

Pressure Below (\leq) 13.8 MPa (2,000 psi)

Sweet flowing wells with a bottom hole pressure equal to or below (\leq) 13.8 MPa (2,000 psi) and that are not expected to face operational pressures above 13.8 MPa over the life of the well may use a variety of connection types in wellhead design, including threaded connections on casing heads and spools provided they are fit for purpose.

Pressure Below ($>$) 13.8 MPa (2,000 psi)

For wellheads on high pressure sweet flowing wells (bottom hole or operational pressure $>$ 13.8 MPa), all major exterior component connections shall be flanged, studded, or clamped. Although a welded connection between the casing head and surface casing is recommended, the casing head may use a threaded connection.



Conventional Sour Flowing Wellhead



Sour wells are defined as any well having 0.3 kPa H₂S PP or greater. Wells with less than 0.3 kPa H₂S PP and other corrosive products should consider the application of the sour standards to cover the potential for more aggressive corrosion.

A typical sour flowing wellhead require:

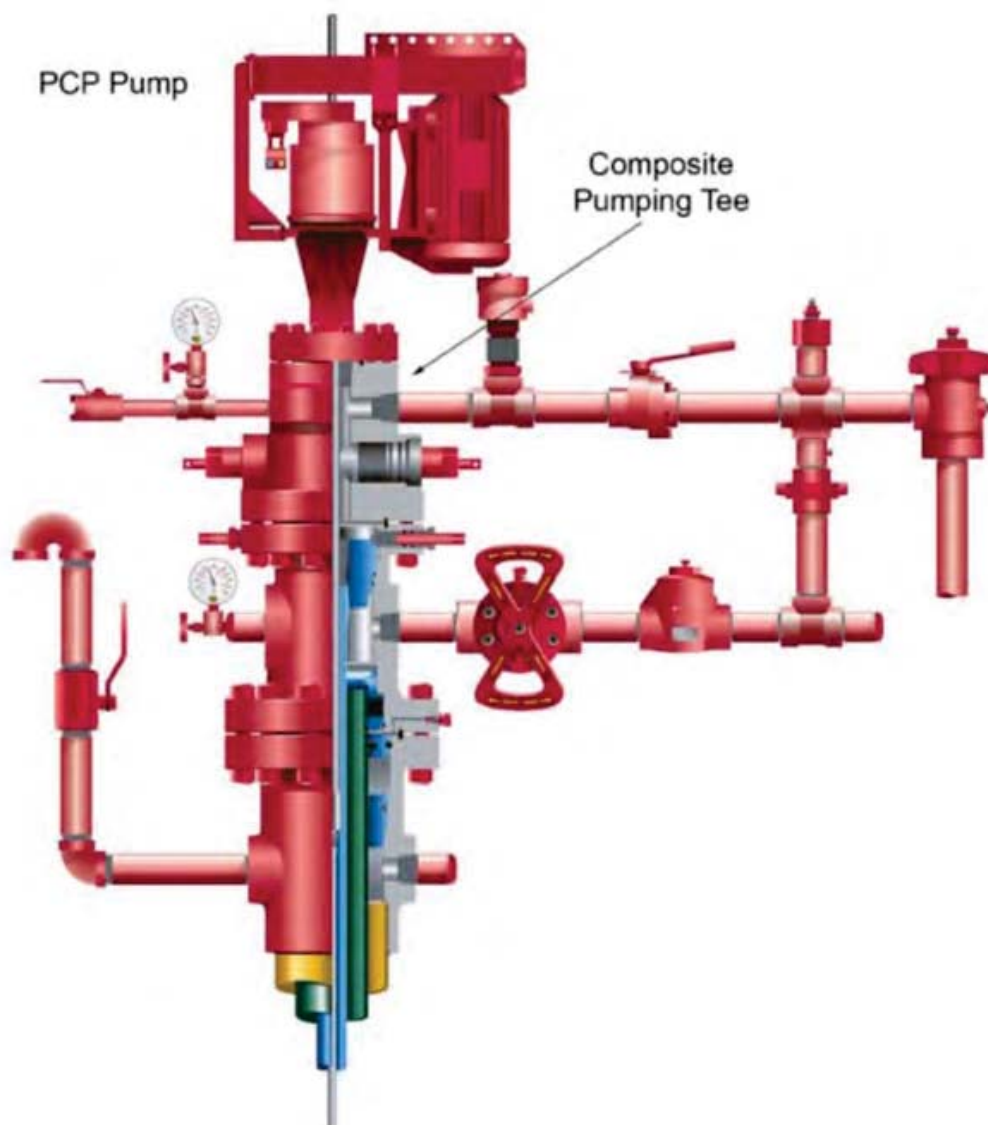
- Main components should be monogrammed
- Wellhead and Christmas tree assembly shall be hydrostatically tested per API 6A prior to shipment and after installation
- A block cross or tee, in conjunction with a bottomhole test adapter is recommended over a combination flow tee and test adapter for the top fitting on the wellhead.
- All end connections on the wellhead shall have pressure relief access, such as tapped bull plugs with needle valves.
- All working valves should have a backup valve in place.
- All studded side outlets (SSOs) or flanged side outlets (FSOs) that access a casing annulus should have valve removal (VR) thread preparations including the hot oil circulation inlet/outlet
- Tubing hanger should have back pressure valve preparation, tubing head adapter flange, master valves, block tee or cross and top adapter should be sized so as not to restrict the passage of downhole tools or the running of the back pressure valve.
- All sour wells on production and capable of flowing to atmosphere must be equipped with a surface safety valve (SSV)
- Immediately downstream of the wing valve is the generally preferred location of the SSV.

Artificial Lift Wellhead: PCP Wellhead

Progressing cavity pumping (PCP) systems derive their name from the unique, positive displacement pump that evolved from the helical gear pump concept first developed by Rene Moineau in the late 1920s. Although these pumps are now most commonly referred to as progressing cavity (PC) pumps, they also are called screw pumps or Moineau pumps. They are increasingly used for artificial lift, and have been adapted to a range of challenging lift situations (e.g., heavy oil, high sand production, gassy wells, directional or horizontal wells).

The progressing cavity pump artificial lift system includes a surface drive, rod string and downhole pump. In this technique the rod string is rotated instead of being reciprocated like conventional pumping wellhead. The PCP drivehead and stuffing box are mounted above the flow cross and in electrically powered systems. The electric motor also is mounted on or suspended from, the wellhead.

Wellheads accommodating a progressing cavity pump shall be designed and implemented with the additional demands of the PCP drivehead taken into consideration. Wellheads with a PCP drivehead should be made up with flanged or studded connections to support the additional weight of the motor or drivehead and sustain the vibration, torque, and fatigue created by the PCP operation.



Artificial Lift Wellhead: Thermal Pumping Wellhead

Thermal recovery is one of the three primary techniques for Enhanced oil recovery (thermal recovery, gas injection, and chemical injection).

Currently, thermal recovery techniques are commercially and matured developed for oil sand (or bitumen) in Alberta Canada.

Design consideration for pumping wellhead:

- Designing wellhead for the temperatures and pressures that accompany thermal stimulation.
- Accommodating for the expansion and contraction created by temperature variations.
- Welding requirements and procedures.
- Requirements related to well control devices, surface casing vents, tubing hangers, stuffing boxes on rod pumped wells, pressure shut down devices, BOPs, and master valves.



Artificial Lift Wellhead: Thermal ESP Wellhead

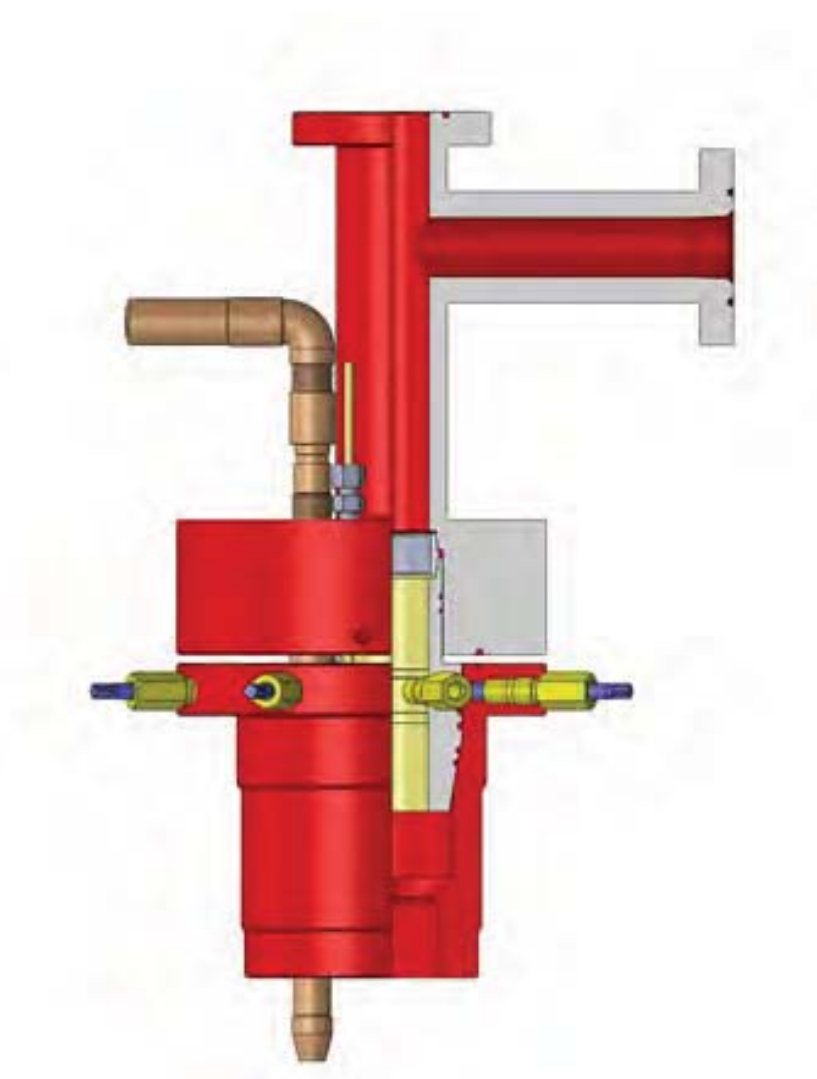
Electric Submersible Pumps (ESP) consist of a downhole pump (a series of centrifugal pumps). An electrical motor which transforms the electrical power into kinetic energy to turn the pump, a separator or protector to prevent produced fluids from entering the electrical motor, and an electric power cable that connects the motor to the surface control panel.

ESP is a very versatile artificial lift method and can be found in operating environments all over the world. They can handle a very wide range of flow rates (from 200 to 90,000 barrels (14,000 m³) per day) and lift requirements (from virtually zero to 10,000 ft (3,000 m) of lift). They can be modified to handle contaminants commonly found in oil, aggressive corrosive fluids such as H₂S and CO₂, and exceptionally high downhole temperatures.

Increasing water cut has been shown to have no significant detrimental effect on the ESP performance. It is possible to locate them in vertical, deviated, or horizontal wells.

When used in thermal wellhead design, consideration should use metal seal, graphoil seal to accommodate the extreme high temperature.

Thermal ESP wellheads are extensively used in thermal SAGD application in Canada.



Multi-Bowl Wellhead System

Multi-Bowl System offers significant time savings advantages over conventional wellheads. Multi-Bowl System supports and seals two strings of pipe in a single head.

Multi-Bowl System consists of two pieces: a lower housing and an upper housing-installed as one complete unit. If the intermediate casing sticks, the mandrel casing hanger cannot be used. The two housings can be separated and the emergency slip-style casing hanger can easily be installed.

The Multi-Bowl System comes complete with wear bushings, running tools, standard and emergency pack off, and combination test plug/running-retrieving tool.

Features

- Backpressure valve profile available in all mandrel hangers
- Field proven
- Saves rig time by reducing installation time
- Increases safety by reducing BOP/ diverter handling
- Fluted mandrel casing hanger allows cement returns

Outlets

- Studded side outlets
- Line pipe threaded outlets

Flexibility

- Standard equipment
- Emergency equipment
- Option to remove upper top housing and convert to conventional

Manufacturing Standard

- API-6A, PSL-1, DD, L-U, PR-1

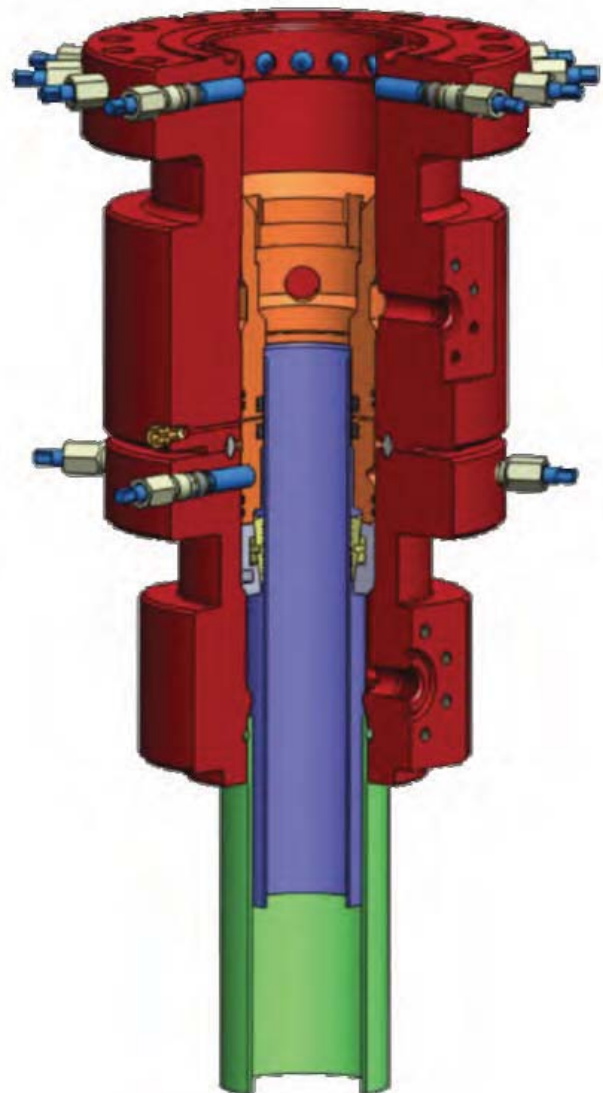
Availability

Available in wide range of sizes and working pressures:

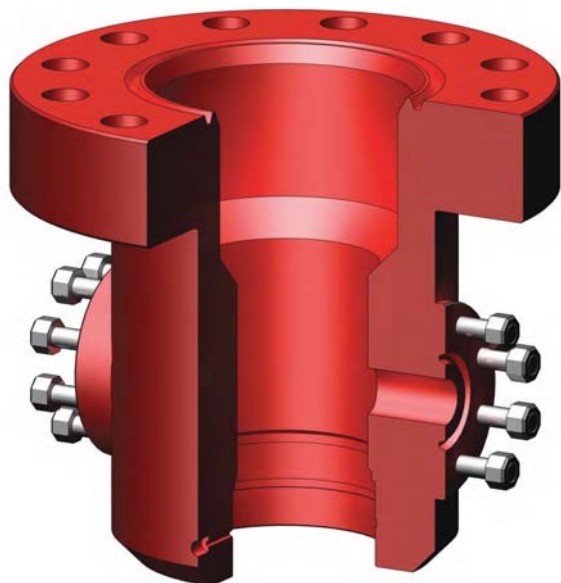
- 11"-3,000 through 10,000 psi w.p.
- 13 5/8" - 3000 through 10,000 psi w.p.
- One or two piece seal assembly available for completion phase
- System compatible with most casing programs

Bottom Connections

- Slip-on weld
- Slip-on weld with O-ring
- Threaded (8rd, Buttress)



Casing Heads C-22 and C-29



Standard

C-22 with Slip on Weld Prep with Line Pipe Outlets and Studded Side Outlets



Optional

C-22-BP has lockscrews to hold the wear bushing in place



Optional

Threaded Bottom Prep



Slip on Weld Prep with "O" Ring

PetroPi's C-22 casing heads feature a versatile straight bore design that can accept a wide variety of slip and mandrel type casing hangers.

C-29 bowls available for extreme casing loads.

Features

- Features a 45° landing shoulder capable of supporting maximum loads
- Prevents test plugs from wedging under pressure

Outlets

- Line Pipe Outlets
- Studded Side Outlets

Casing Hanger Compatibility

- C-21 and C-22 slip-type casing hangers
- Mandrel style casing hangers

Manufacturing Standard

- API-6A, PSL-1, DD, L-U, PR-1

Availability

- Additional sizes available upon request
- Available in C-29 profile (Available upon request)

Lockscrews

- C-22-BP casing heads are supplied with (2) lock screws for wear bushing retention
- C-22-L and C-29-L casing heads are supplied with a full set of lock screws for mandrel casing hanger and packoff retention (Available upon request)

Bottom Connections

- Slip-on weld
- Slip-on weld with O-ring
- Threaded

Casing Spools C-22 and C-29

PetroPi's C-22 casing spools feature a versatile straight bore design that can accept a wide variety of slip and mandrel type casing hangers.

Features

- Features a 45° landing shoulder capable of supporting maximum casing loads
- Prevents test plugs from wedging under pressure

Outlets

- Line Pipe Outlets
- Studded Side Outlets

Casing Hanger Compatibility

- C-21 and C-22 slip-type casing hangers
- Mandrel style casing hangers

Manufacturing Standard

- API-6A, PSL-1, DD, L-U, PR-1

Availability

- Additional sizes available upon request
- Available in C-29 profile (Available upon request)

Lockscrews

- C-22-BP casing spools are supplied with (2) lock screws for wear bushing retention
- C-22-L and C-29-L casing spools are supplied with a full set of lock screws for mandrel casing hanger and packoff retention (Available upon request)

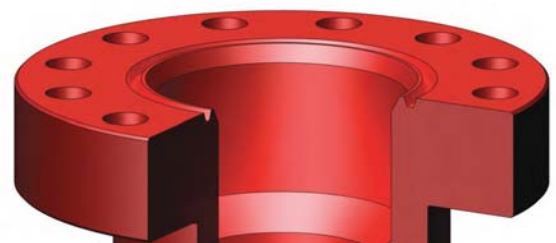
Bottom Preparations

- PE/BG bottom, for use with PE secondary seal bushing (Standard)
- HPE bottom, for use with HPE secondary seal bushing for high pressure applications (Available upon request)



Standard

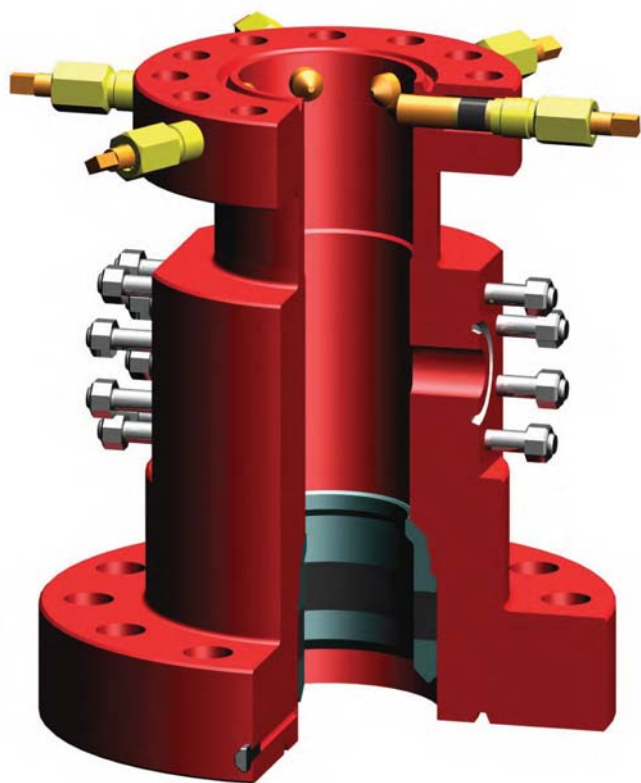
C-22-BG with BG bottom and Studded Side Outlets also available with Line Pipe Outlets



Optional

C-22-BP has lockscrews to hold the wear bushing in place

Tubing Spools and TCM Tubing Spools



ET
*(Integral) Lockscrews
now standard*

PetroPi's TCM tubing heads feature a versatile straight bore design for single and multiple completions. This design accepts all TC series tubing hangers and easily converts from a single completion to multiple completions with the addition and alignment pin(s).

Available Sizes

- Available with 7-1/16" nominal bowl
- Compatible with 7-5/8" production casing

Straight-Bore Design

- Features a 45° landing shoulder capable of supporting maximum loads

Outlets

- Line Pipe Outlets
- Studded Side Outlets

Manufacturing Standard

- API-6A, PSL-1, DD, L-U, PR-1 (3M-5M)
- API-6A, PSL-2, DD, L-U, PR-1 (10M)

Tubing Hanger Compatibility

- WTCM tubing heads accept a wide variety of tubing hanger styles including mandrel and wrap-around

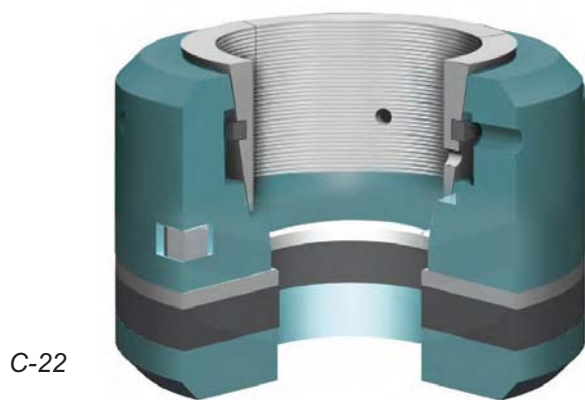
Bottom Preparations

- PE/BG bottom, for use with PE secondary seal bushing (Standard)
- HPE bottom, for use with HPE secondary seal bushing for high pressure applications (Available upon request)

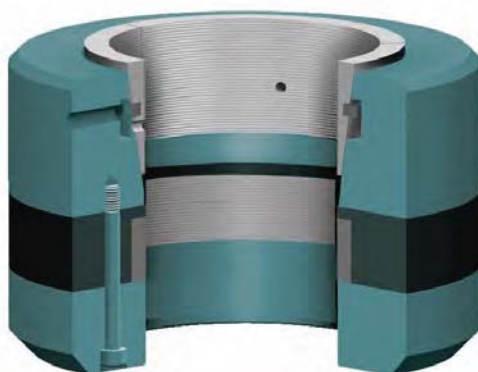
Availability

- Additional sizes available upon request
- Available with ET (Integral) style lock screws
- Flanged top Tubing Heads available with slip-on weld or threaded bottoms

Casing Hanger C-22, C-21, C-21-P and C-29



C-22



C-29



C-21



H-Packoff

PetroPi's C-22 automatic casing hangers (wrap around) incorporate a lower packoff, slip bowl, and slips. The lower packoff is energized by the weight of the casing, which provides a positive annular seal.

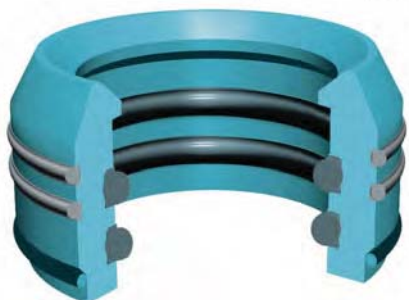
Slip Type Hangers

- Supports the casing by transferring the casing load to the load shoulder in the casing head or spool.
- Provides a sealing point around the casing and the casing head bowl to isolate the casing strings.
- Can be lowered through a full opening BOP stack into the wellhead.
- Latch bolt prevents accidental opening of the hanger during installation.
- C-22 and C-29 hangers provide an automatic pack-off seal that is energized by casing weight.
- C-21 hangers are used in conjunction with a separate pack-off plate and are used in low weight situations.
- C-21-P hangers incorporate a built in seal that is manually activated by bolts on top of the hanger
- C-22 hangers require as little as 47,000 pounds of casing load to energize the seal (depends on casing size).
- C-29 hangers have stronger lower support plates and support greater casing loads.

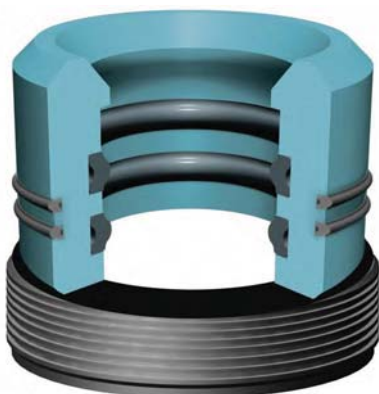
Mandrel Type Hangers

- Supports the casing by transferring the casing load to the load shoulder in the casing head or spool.
- Suspend the casing weight by means of threading the pipe to the lowermost threads in the hanger.
- Lift threads in the top of the hanger are used for landing and retrieving the hanger into the wellhead. ACME threads and a separate running tool can be used in place of the lift threads.
- Optional flutes allow for fluid bypass or taking returns during cementing.
- Separate pack-off bushing- seals around the hanger neck and the wellhead bowl. In the MBS system it also serves to provide another load shoulder to support the next casing string.

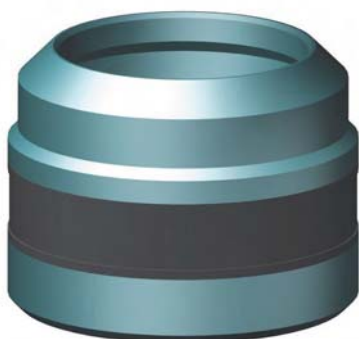
Secondary Seals



FS-S



FS-SL



PE-Seal



HPE-Seal



P-Seal

The secondary seal is a wellhead component that provides a means to isolate and seal a casing string. These seals are installed in the bottom prep of a casing spool or tubing head with a BG bottom prep. They enable you to test the primary seal (casing hanger) via test ports located on the wellhead, and have a built in bit guide to protect the casing.

Seal Types

- O-rings; Use HNBR 80 to 90 durometer. Materials can be Viton, Aflas, Nitrile and HNBR high and low temp.
- FS Seals; designed to seal around rough casing. The seal in 9-5/8" and smaller sizes is rated to 15,000 psi. Our standard material is HNBR 85 to 90 durometer.
- Springseal (S-Seal); designed to seal the bushing OD against the wellhead body. They are rated to over 15,000 psi and the standard material is HNBR 85 to 90 durometer.
- P-Seals; designed to seal against rough casing and requires plastic packing applied under pressure to activate it.

Types of Bushings for BG Bottom Heads

- 4-0 bushing; has internal and external o-ring seals to seal on the casing and inside the wellhead. Standard seal for general purpose wellheads.
- FS-S bushing; has FS seals in the ID to seal around the casing and S-Seals on the OD to seal in the wellhead. High pressure seal up to 15,000 psi.
- FS-SL bushing; same seal as the FS-S only secured in the wellhead with an ACME threaded lock ring as opposed to a snap ring.
- PE seal; 4 piece seal consisting of an upper plate, 2" thick rubber seal element, lower plate, and a snap ring. The seal is energized when the spool is installed over the casing stub and the flange connection is made up. For low pressure applications.
- HPE seal; same as the PE seal only the bottom compression plate is threaded and is inserted in the bottom preparation of casing spools or tubing spools with threaded preparations.

Tubing Hangers

The tubing hanger is a wellhead component that provides a means to suspend and seal a tubing string in a tubing (or casing) head. The tubing hanger lands in the top prep of tubing head and is retained in the tubing head with lock-down pins. It seals the annulus between the tubing and the production casing.

TC-1W; is a wrap around style tubing hanger that is designed to seal the annulus, but not suspend the tubing string itself. It seats inside the tubing head bowl and has a seal that is activated by engaging the lock-down pins. It can be used in conjunction with the BO-2 hanger coupling and B-2P, B-1 or KTH adapters.

TC-1A; is a mandrel type hanger that has box suspension and lift threads. This hanger can be landed through a full opening BOP stack. The seal is activated by tubing weight and the lock-down pins.

TC-1A-B; is the same as the TC-1A but includes a back-pressure valve prep. It can be easily snubbed in under pressure.

TC-1A-EN; same design as the TC-1A-B only with an extended neck that protrudes above the tubing head. The extended neck incorporates 2 or more S-seals. The A-5P tubing head adapter seals over the neck of this hanger offering a second seal point so the hanger can be tested. The body seal is activated by the lockdown pins.

TC-1A-EN-CL; same hanger as the TC-1A-EN, but includes porting for down-hole control lines. The neck has extra S-seals to isolate the ports and the A-5P adapter has porting to access and test them.

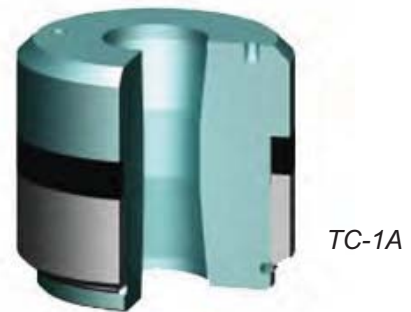
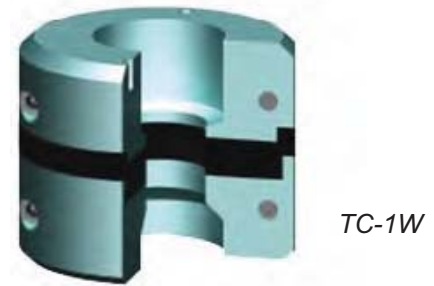
BO-2; is a mandrel hanger coupling threaded on both ends with any API tubing thread (suspension and lift threads) and has an internal back-pressure valve prep. The BO-2 coupling then screws into the BO-2 adapter by rotating the tree assembly. It is used in conjunction with a TC-1W or a stripper rubber. Ideal for situations when you want to pick up the tree and tubing together.

TC-60; is designed for dual completions and is used in conjunction with the TC-60 tubing head.

TC-22; Slip type hanger that will support casing or tubing in the bowl. Seal is weight activated and retained in the head by the lock-down pins. Can hang up to 4-1/2" OD casing in a standard 7-1/16" bowl.

Seal Material; HNBR 80 to 90 durometer. Viton, Aflas and high/low temp HNBR are available upon request.

Hanger Material; alloy, stainless or Inconel



Tubing Head Adapter

B-1



B2P



A5P



BO2



The tubing head adapter creates a transition between the tubing head and the Christmas tree. The bottom connection bolts to the tubing head and the top connection attaches to the lower master valve. Adapters are available in several types for single or dual completions. They are available in all standard API flange sizes, pressures and trims. Its primary function is to suspend the tubing string and seal the annulus between the tubing and production casing.

B-1 Tubing Head Adapter

Bottom connections are flanged with EU box suspension threads. The top connection is EU pin threads that connect to the lower master valve. Ideal for pumping or low pressure wells.

B2P Tubing Head Adapter

Bottom connections are flanged with EU box suspension threads. The top connection is studded. No BPV prep is available and it is used in conjunction with the TC-1W.

A5P Tubing Head Adapter

Bottom connections are flanged with ID of 5-1/2" typically. The top connection is studded.

It is used to seal over the neck of the TC-1A-EN tubing hanger. Optional ports are available for down-hole control lines (DHCL ports). The tubing hanger stays in the tubing head when the tree is picked up.

BO2 Tubing Head Adapter

Bottom connections are flanged with 4" ACME suspension threads to support a BO-2 hanger coupling. The BO-2 coupling screws on to the tubing and directly into the BO-2 adapter by rotating the tree assembly. The BO-2 coupling has internal back-pressure threads and is used in conjunction with the TC-1W wrap around tubing hanger. The top connection is studded

Tree Caps, Tees & Cross, DSA's and Flanges

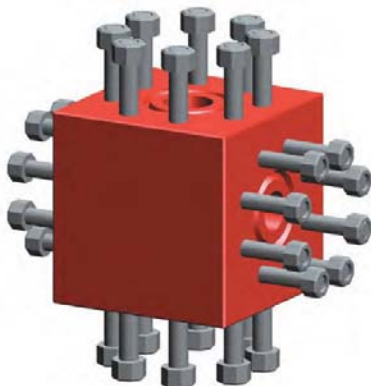
BHTA



Tree Caps (BHTA)

The tree cap bolts to the top of Christmas tree and provides quick access to the tubing bore via a nut and plug assembly. Internal tubing threads are used for installing and removing the tree assembly. The top of the nut and plug assembly is tapped for a needle valve and pressure gauge. They are available in all standard API flange sizes, pressures and trims.

Cross



Tees and Crosses

PetroPi offers studded and flanged tees and crosses in all API flange sizes, pressures and trims. Crosses or Tees with 45 degree outlets are available upon request.

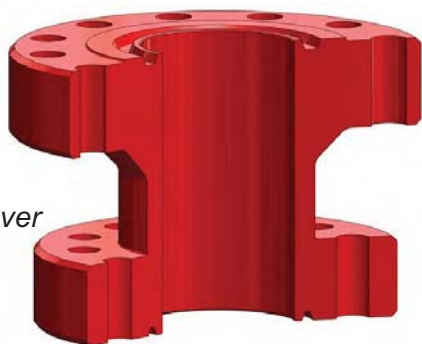
DSA



DSA's and Cross-over Spools

PetroPi offers double studed adapters and cross-over spools in all API flange sizes, pressures and trims.

Cross-Over



PetroPi Flanges

- Companion Flanges; available with all common casing and tubing threads in all API flange sizes, pressures and trims.
- Weld Neck Flanges; prepped to weld to any specified API casing or tubing.
- Gauge or Instrument Flanges; made to be installed in-between any API 6As flange and ported with 1/2" NPT or 9/16" HP connections.
- Blind Flanges; available in solid or tapped with 1/2" NPT or 9/16" HP.
- Union Flanges; API flanges with 1502 or Bowen union halves on one end. (Other unions are available upon request) Available with either male or female union ends. All flanges are 1 piece with no welded connections.

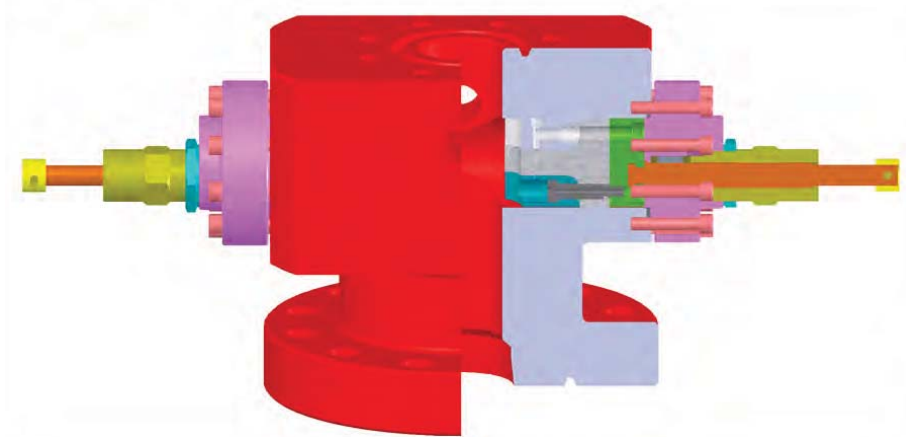
Flange



Thermal and Conventional Production BOP

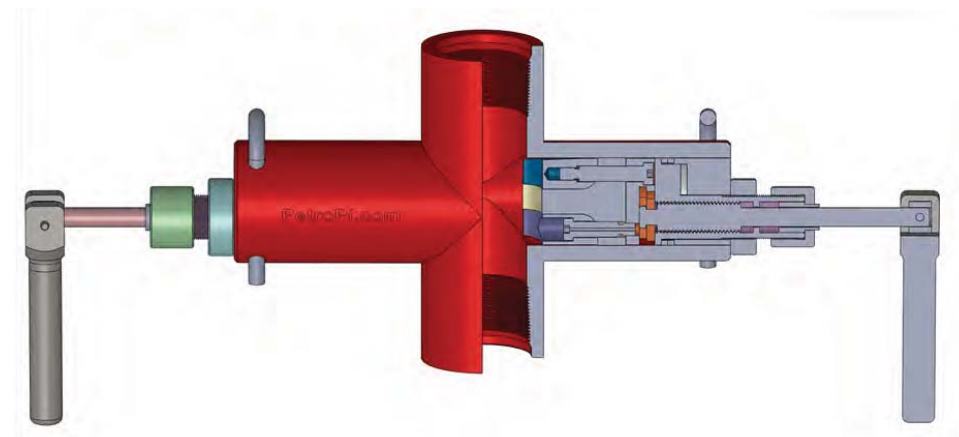
PetroPi High Temperature BOP

Rated at 550°F and 1,500 psi working pressure, the type was developed specifically for use on steam injection, downhole heater, and high-temperature production installations. Designed for 3-1/2" tubing, the preventer is available with blank rams or to pack off all sizes of polished rods, macaroni pipe, or wirelines. All metal backed rams are used with a newly developed sealing element for additional safety in handling high temperature fluids. Pressure around the rams is equalized for easy operation under high pressure.



PetroPi Conventional BOP

Designed to contain well pressure when swabbing or handling sucker rods or small diameter tubing. In swabbing applications the preventer can supplement the lubricator, allowing removal of the oil saver. A single unit may be employed above the master valve, or two preventers may be stacked and the lower one fitted with blind rams in place of the master valve. The Tubing Blowout Preventer uses a special rubber packing element, molded integrally to a steel slide for maximum safety and freedom from leakage. The chamfered tops of the rubber elements allow them to deform under pressure without fouling the housing, ensuring easy retractability. The drive screws of the preventer are located at the center of the sealing surface of the rubber, off-center of the rams, for maximum positive seal against the sinker bar, tubing, or rod. An O-ring seal around the rams prevents pressure bypass in any position.





Elastomers

- Secondary Seals
- Casing Hangers
- Tubing Hangers
- B02 Adapter
- Tree cap and choke o-rings
- Seal kits for gate valves
- Seal kits and diaphragms for safety valves

Threaded Fittings

- High quality XXH Bull Plugs and Nipples
- Flow tees
- Grease and packing fittings
- Needle Valves
- Pressure gauges

API-6A Metal Ring Gaskets

API-6A Monogrammed R, BX, RX, and combination ring joint gaskets. All ring gaskets are available in low carbon steel and 316 stainless steel (Inconel available upon request). Petromec Rubber-Tip test rings (R and BX) and other types of materials are available upon request.



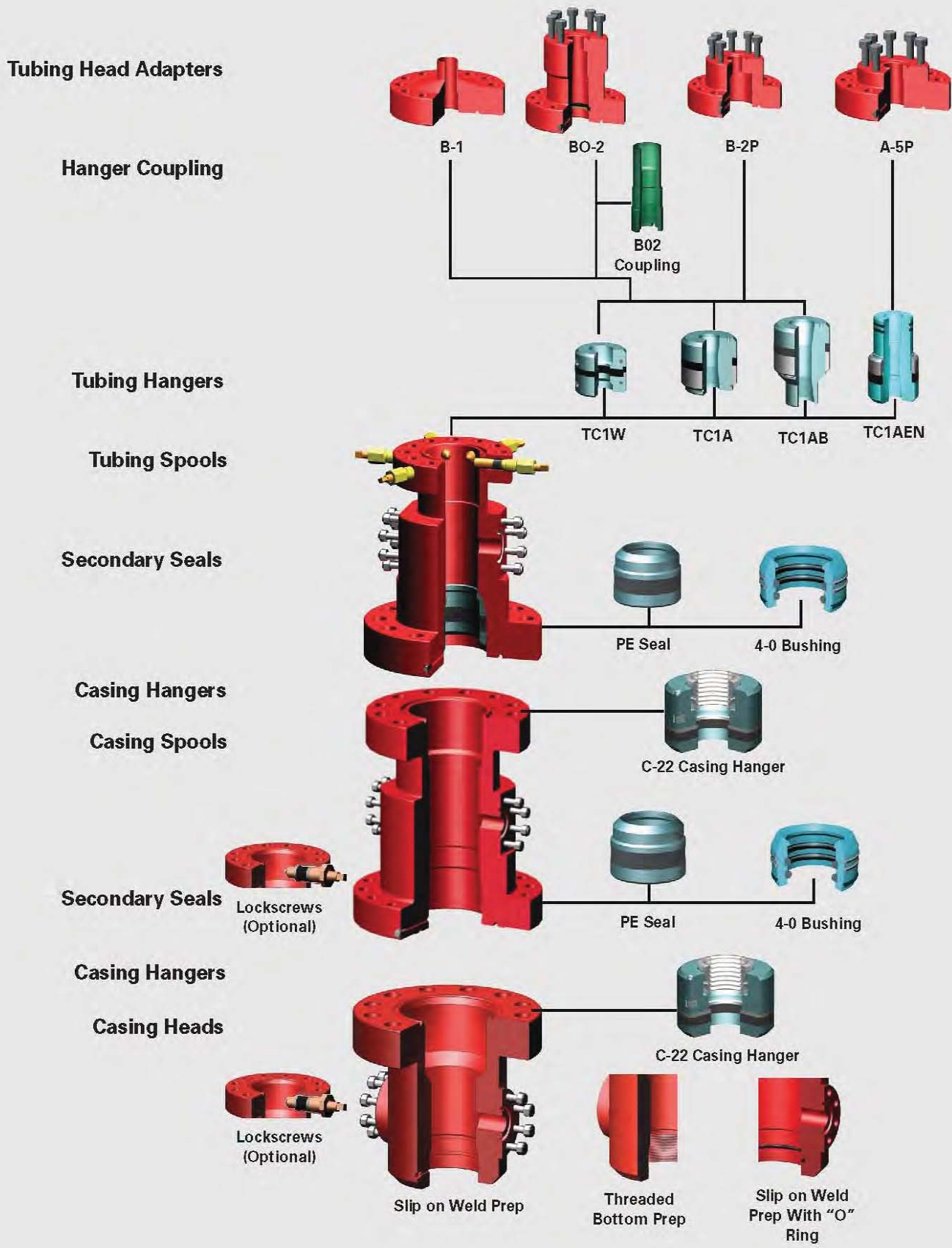
Stud Bolts and Nuts

Alloy steel stud bolts in 5/8" through 3" diameter and to any length required. All stud bolts are pre-nutted.

- Studs ASTM A193 B7; Nuts ASTM A194 2H HEX
- B7 Black Studs and 2H Nuts
- B7 Zinc Yellow Studs and 2H Nuts
- B7 Teflon coated Studs and 2H nuts available upon request



Conventional Wellhead Configuration Chart



Product Warranty

This warranty is in lieu of all other warranties, expressed or implied, including any implied warranty of merchantability or fitness. PetroPi warrants that all products sold by it shall be free from defects in workmanship and material when these products are used within the service and pressure range for which they were manufactured. Such warranty shall be binding upon PetroPi for a period of one year from and after shipment of such product. If, at any time within such period, it is established to the satisfaction of PetroPi that any product sold or manufactured by PetroPi is defective at time of shipment, PetroPi at its option, shall repair or exchange such item, FOB Edmonton, AB, Canada or other PetroPi designated shipping point or refund the purchase price paid as a merchandise credit. It is understood that the liability of PetroPi shall be limited to such refund or replacement and that PetroPi SHALL NOT BE LIABLE FOR ANY DIRECT, INDIRECT, INCIDENTAL, OR CONSEQUENTIAL DAMAGES ARISING OUT OF ANY DEFECTS OR FROM ANY CAUSE WHATSOEVER. This warranty does not cover deterioration by corrosion or aging of non-metallic parts, including stress corrosion or any other cause of failure other than defects in workmanship and material. Unless repairs to, alterations of, or work done on said products by the Purchaser shall be specifically authorized in writing by PetroPi, any warranty applicable thereto shall become null and void.

Terms and Conditions

PRICES: All quotations are made for prompt acceptance and any term quoted therein are subject to change without notice after thirty (30) days from the date thereof unless specifically stated otherwise on the quotation.

ORDERS DELIVERY DATE AND CANCELLATIONS: Orders will be accepted by PetroPi subject to approval of and upon such approval a shipping date will be established. The shipping date shall be subject to Force Majeure. Cancellation of orders pertaining to an item of unique nature because of configuration, size, material, etc. or for orders involving excessively large quantities cannot be accepted without full compensation to PetroPi for all production expenses incurred prior to such proposed cancellation.

RETURN: Prior written approval shall be obtained from PetroPi before the return of any merchandise for merchandise credit or adjustment. Upon such written approval, merchandise shall be returned within 30 days of receipt prepaid, in PRODUCT WARRANTY TERMS AND CONDITIONS unused condition, and shall consist of merchandise currently listed in the PetroPi catalog or price list. A minimum 15% restocking charge will be applied to all items that are found not to be defective. Items manufactured from customers' specifications, which are of unusual or unique design, size, material, or quantity shall not be subject to return or credit or replacement.

COST OF COLLECTION AND ATTORNEY FEES: Buyer shall be responsible for all our cost and expenses, including attorney fees, incurred by us in collecting the purchase price for goods of services sold beyond its due date inclusive of delinquency charge.

TERMS OF PAYMENT AND DELINQUENCY CHARGE: All payments are due Net 30 days following the date of the invoice. All invoices past 45 days owing to the Seller shall bear interest at 1.5% per month (18% annual rate). All accounts are payable in the United States funds, free of exchange rate variation or collection charge.

STENOGRAPHIC AND CLERICAL ERRORS: Stenographic and Clerical errors are subject to correction