



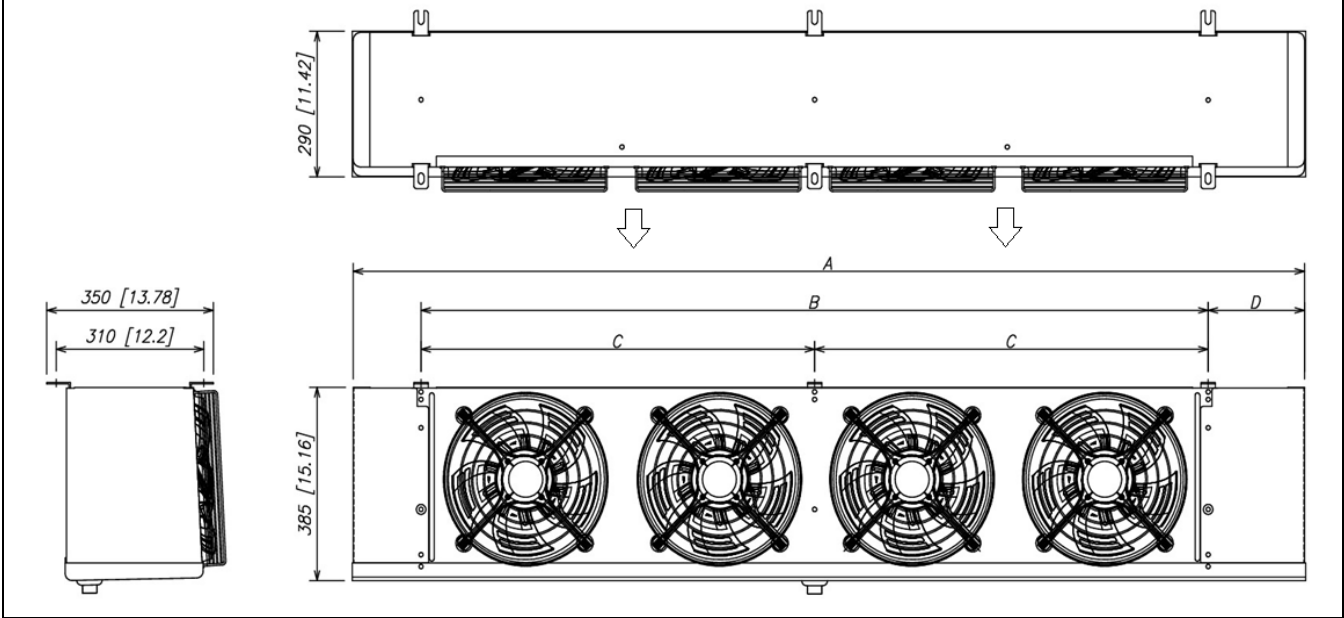
Infinity Refrigeration Inc
 9419 Ann Street
 Santa Fe Springs, CA 90670
 Ph: 888-328-9050
 Fx: 562-287-8903

Submittal Data/Drawings Sheet
 Low Profile Unit Cooler "ILA" Med Temp Model
 Remote Type Refrigeration System

For Review Date: 12/21/2017
 For Approval By:

Job Name: _____ **Job Location:** _____
Engineer/ Architect : _____ **Customer:** _____ **Order #** _____
Model No. : _____ **Item No. :** _____ **Unit Qty:** _____ **Ref. #** _____
Notes:

Plan Drawings



Performance Data "ILA" Air Defrost, Medium Temperature (60Hz)

Unit Model Number	Capacity BTuH 10° F TD 25° F SST	Fan Data		EC Motor Data		Airthrow Ft
		12in / 30cm Diameter Qty	CFM/ m³H	115V / 60Hz / 1Φ HP	Amps / Watts	
ILA220A	2,2000 / 6,443	4	3,244 / 5,512	1/15	2.28 / 262	25

Physical Data

Unit Model Number	Refrigeration Connections (Inches)			Drain	Dimensions (inches/cm)				Weight (lbs/kgs)
	Coil Inlet/ Liquid	Suction	External Equalizer		A	B	C	D	
ILA220A	1/2 OD	7/8 ID	1/4 OD	3/4MPT	78.9/2,005	65.2 / 1,655	32.6/827.5	8.07 / 205	