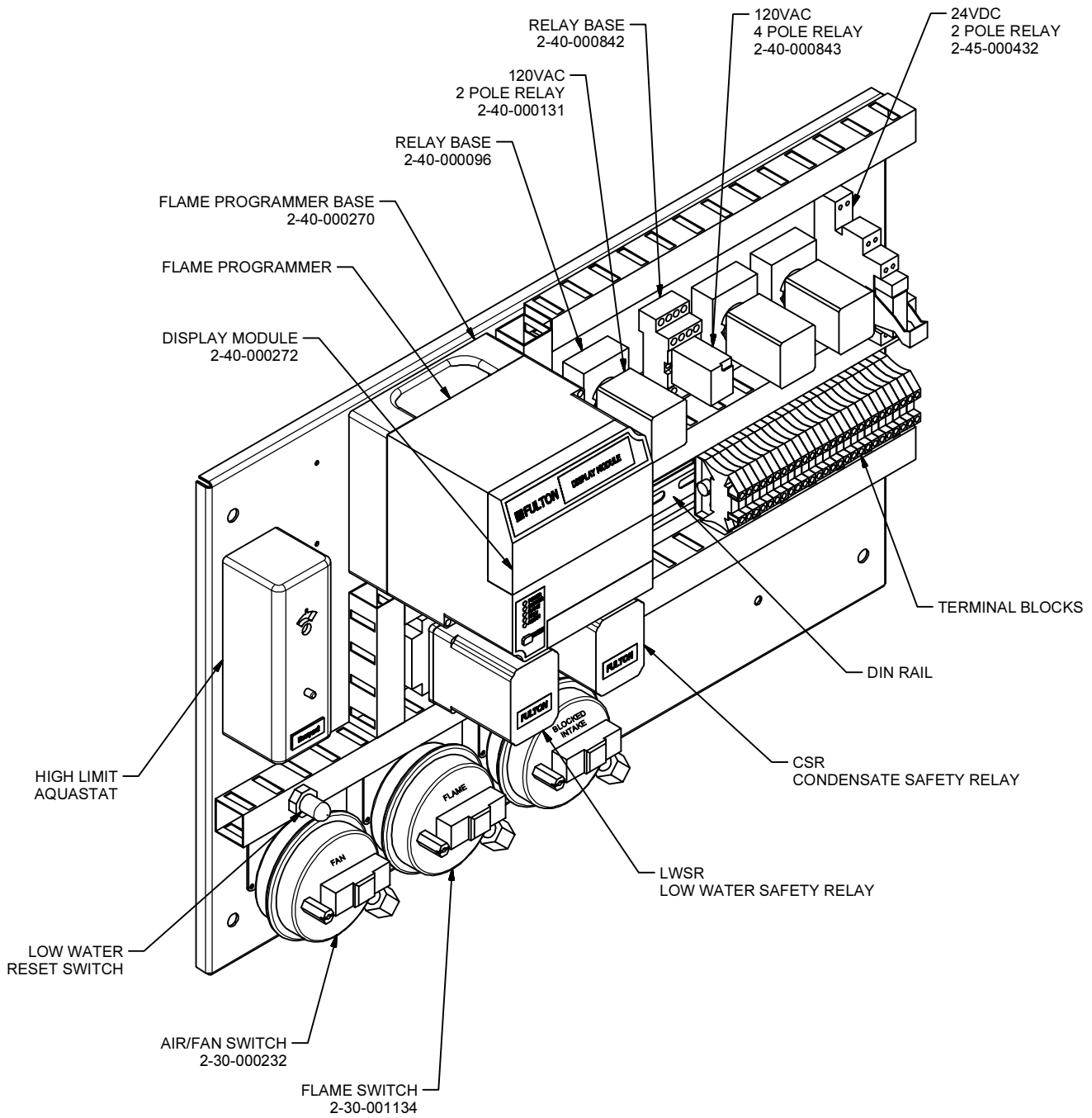
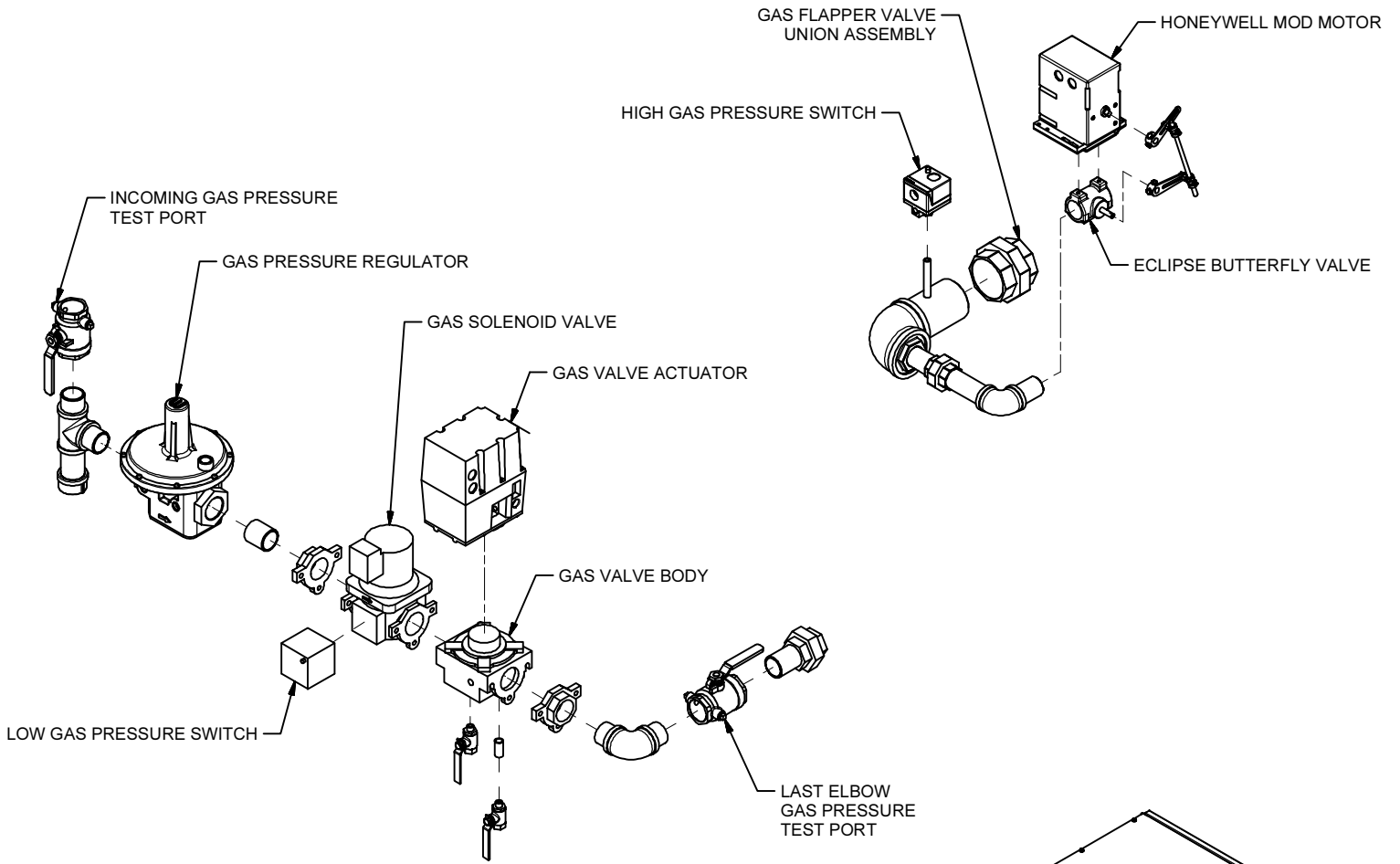


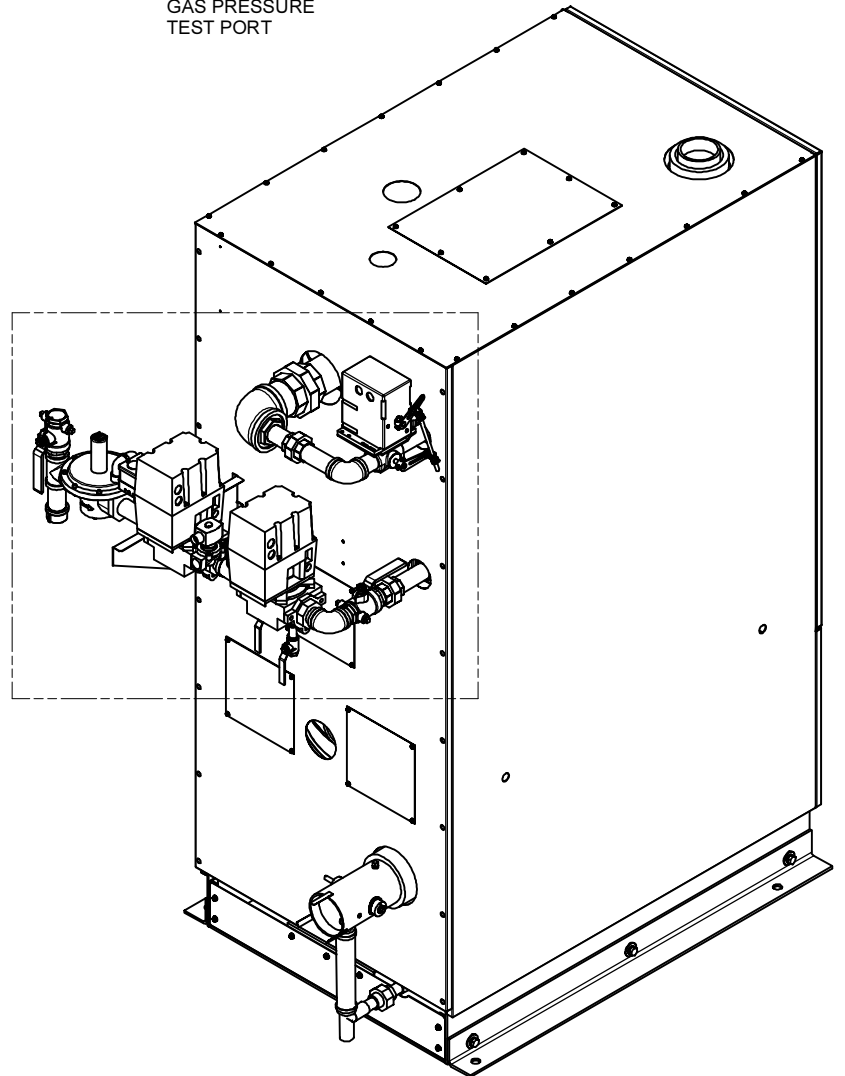
PHW 300-1400



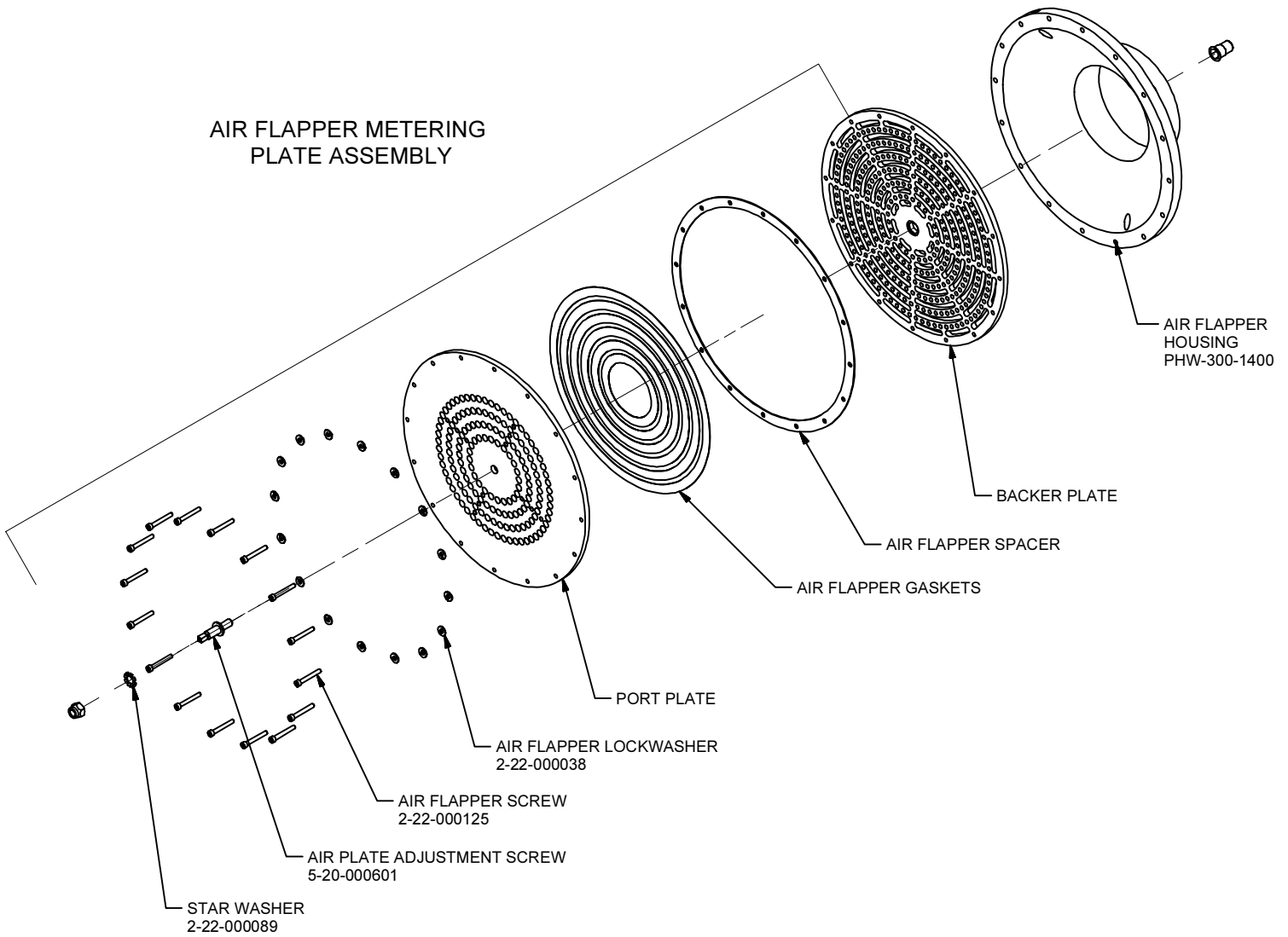
PHW ELECTRICAL PANEL

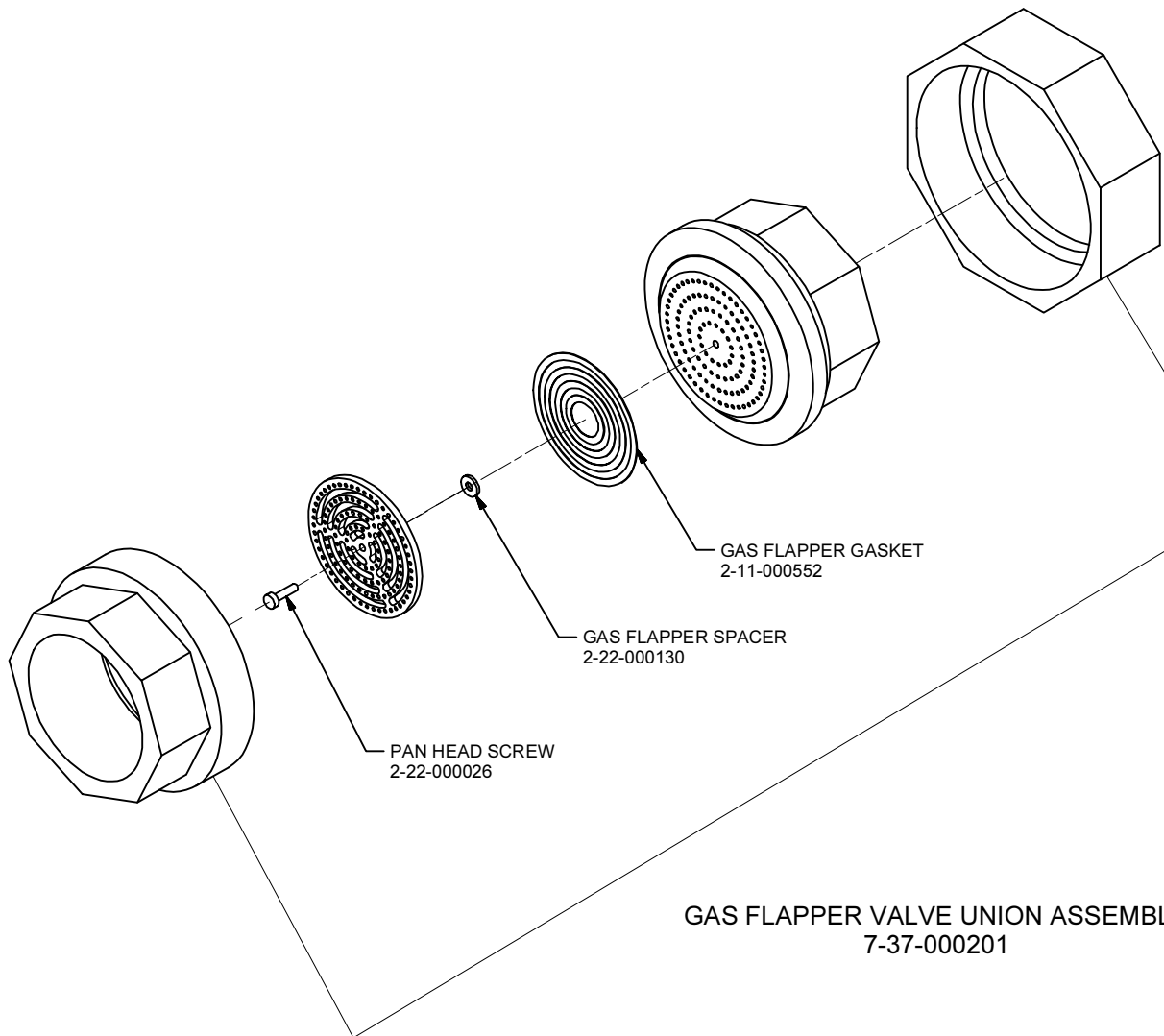


PHW-300-1400
FUEL TRAIN



AIR FLAPPER METERING PLATE ASSEMBLY





GAS FLAPPER VALVE UNION ASSEMBLY
7-37-000201

Pulse HW Condensing Hydronic Boilers

Part #	Description	Model: PHW							
		300	500	650	750	950	1000	1400	2000
2-30-000232	Air switch-purge fan - #AP4594-6118	x	x	x	x	x	x	x	x
2-30-001334	Air switch -proof of flame - #AP4594-2571	x	x	x	x	x	x	x	x
2-30-000290	Blocked intake switch - #AP4800-4053							x	x
2-30-000291	Blocked intake switch - #AP4800-4052	x	x		x		x		
2-30-001360	Blocked exhaust switch - #P32AC-1	x	x	x	x	x	x	x	x
2-12-000551	Air flapper gaskets (replaced 2-12-553)	x	x	x	x	x	x		
2-12-000554	Air flapper gaskets								x
2-22-000181	Air flapper spacer - .030	x	x	x	x	x			
2-22-000182	Air flapper spacer - .050						x/LP		
2-22-000183	Air flapper spacer - .040								
2-22-000186	Air flapper spacer - .060							x	LP
2-22-000187	Air flapper spacer - .060								x
2-22-000188	Air flapper spacer - .070								
2-22-000125	Air flapper screw 8-32 x 1-1/4	x	x	x	x	x	x	x	x
2-22-000085	Air flapper nuts 8-32	x	x	x	x	x	x	x	x
2-22-000038	Air flapper lock washer	x	x	x	x	x	x	x	x
2-22-000083	AVK Nut for air flapper assy	x	x	x	x	x	x	x	x
2-12-000900	Air flapper mounting gaskets								x
7-37-000120	Air flapper metering plate assy	x							
7-37-000150	Air flapper metering plate assy		x	x					
7-37-000124	Air flapper metering plate assy				x				
7-37-000123	Air flapper metering plate assy					x			
7-37-000125	Air flapper metering plate assy						x	x	
7-37-000008	Air flapper metering plate assy								x
2-11-000089	Air flapper housing only - 3" hub	x	x						
2-11-000090	Air flapper housing only - 4" hub			x	x	x	x	x	
5-11-000095	Air flapper housing only								x
2-12-000556	Air flapper housing o-ring	x	x	x	x	x	x	x	x
2-40-000251	Aquastat Operating - #L6008A1010	x	x	x	x	x	x	x	x
2-40-000250	Aquastat Hi Limit w/MR 130-270 Deg F - #L4008E1040	x	x	x	x	x	x	x	x
2-30-000205	Aquastat immersion well - #121371A	x	x	x	x	x	x	x	x
2-40-000274	Aquastat Hi Limit w/MR 100-240 Deg F - #L4008E1305	x	x	x	x	x	x		x
2-40-000294	Aquastat Hi Limit w/MR 100-200 Deg F - #L4008E1313	x	x	x	x	x	x		x
2-40-000220	Gas valve actuator w/P.O.C. - #V4055D1043	x	x	x	x	x	x	x	x
2-40-000214	Gas valve actuator - #V4055A1031	x	x	x	x	x	x	x	x
2-30-000310	Gas valve - motorized - 1" - #V5055A1004	x	x	x	x				
2-30-000311	Gas valve - motorized - 1-1/4" - #V5055A1012					x	x		
2-30-001143	Gas valve - motorized - 1-1/2" - #V5097A1004							x	x
2-30-001145	Gas valve - motorized - 1-1/2" - #V5097C1000							x	x
2-40-000253	Gas valve w/P.O.C. - motorized - 1-1/2" - #V5055C1059							x	
2-30-000306	Gas solenoid valve - 1" ASCO #8040C4	x	x	x	x				
2-30-000307	Gas solenoid valve - 1-1/4" ASCO #8040C5					x	x		
2-30-000304	Gas solenoid valve - 1-1/2" ASCO #821470							x	
2-30-001147	Gas solenoid valve - 1" #V4297A1005	x	x		x				
2-30-001141	Gas solenoid valve - 1-1/2" #V4297A1013								x
2-40-000533	Hi-Low Gas Pressure Switch #804111701								
2-30-001139	High Gas Pressure Switch - #C6097B1028	x	x	x	x	x	x	x	x
2-30-001140	Low Gas Pressure Switch - #C6097A1020	x	x	x	x	x	x	x	x
2-30-003002	Gas butterfly valve - 1" - Eclipse	x	x	x	x				
2-30-003003	Gas butterfly valve - 1-1/4" - Eclipse					x	x	x	
2-30-003020	Gas butterfly valve - 2" - Eclipse								x
2-30-000750	Gas pressure regulator - 1" RV61 - Pre 3/10	x	x	x	x				
2-30-000105	Gas pressure regulator - 1-1/4" RV61 -Pre 3/10					x	x		
2-30-000515	Gas pressure regulator - 1-1/4" RV81 -Pre 3/10							x	
2-30-000516	Gas pressure regulator - 1-1/2" RV81 -Pre 3/10							x	x
2-30-000800	Gas pressure regulator - 1" 210D - Post 3/10	x	x	x	x				
2-30-000678	Gas pressure regulator - 1-1/4" 210D-Post 3/10						x	x	
2-30-001023	Gas pressure regulator -1-1/2" 210E-Post 3/10								x
2-30-000174	Gas pressure gauge 0-15" W.C.	x	x	x	x	x	x		
7-37-000201	Gas flapper valve - in union	x	x	x	x	x	x	x	x
2-22-000130	Gas flapper spacer .060 (brass)	x	x	x	x	x	x	x	x
2-12-000552	Gas flapper gaskets	x	x	x	x	x	x	x	x
7-57-000126	Gas decoupler	x	x	x					
7-57-000125	Gas decoupler				x	x	x	x	
2-20-000204	Gas orifice 3/4" x .312								LP
2-20-000130	Gas orifice 3/4" x .437								LP

Pulse HW Condensing Hydronic Boilers

Part #	Description	Model: PHW							
		300	500	650	750	950	1000	1400	2000
2-20-000209	Gas orifice 3/4" x .460	x							
2-20-000208	Gas orifice 3/4" x .485	x							
2-20-000131	Gas orifice 3/4" x .500	x							
2-20-000201	Gas orifice 3/4" x .525		x	LP	LP				
2-20-000205	Gas orifice 3/4" x .540					LP			
2-20-000212	Gas orifice 3/4" x .570			x					
2-20-000202	Gas orifice 3/4" x .593				x				
2-20-000206	Gas orifice 3/4" x .625								
2-20-000214	Gas orifice 3/4" x .651					x	x		
2-20-000132	Gas orifice 3/4" x .690					x			
2-20-000203	Gas orifice 3/4" x .718								
2-20-000650	Gas orifice 2" x .312	LP							
2-20-000651	Gas orifice 2" x .437		LP						
2-20-000652	Gas orifice 2" x .460	x							
2-20-000652	Gas orifice 2" x .460 (post 05/2003)	x	x						
2-20-000653	Gas orifice 2" x .485	x							
2-20-000655	Gas orifice 2" x .500								
2-20-000656	Gas orifice 2" x .540		x						
2-20-000656	Gas orifice 2" x .540 (post 05/2003)		x			LP	LP		
2-20-000657	Gas orifice 2" x .525					LP			
2-10-400211	Gas orifice 2" multi-port			LP					
2-10-400219	Gas orifice 2" multi-port				x				
2-10-400212	Gas orifice 2" multi-port					x			
2-10-400217	Gas orifice 2" multi-port						x		
2-10-400218	Gas orifice 2" multi-port							LP	
2-10-400216	Gas orifice 2" multi-port (factory)							x	
2-10-400222	"New style" gas orifice 2" multi-port							x	
5-10-400207	Blank brass orifice slug 2"								
7-52-002000	Gas injector assy (need stamped series "letter" to order)								x
7-52-002001	Injector assembly - all fuels								LP
7-20-006000	4" Butterfly valve assembly - exhaust modulated			x	x	x	x	x	
7-20-006010	6" Butterfly valve assembly - exhaust modulated								x
7-20-006005	6" Exhaust butterfly assy - PHW2000 QT model								x
2-12-000701	Exhaust butterfly gasket 9" OD x 6-9/16" ID - QT model								x
2-40-000722	Mod motor - M7284Q1009	x	x	x	x	x	x	x	x
2-40-000863	Mod temp control - UT320-00 Yokogawa			x		x		x	x
2-40-000801	Type "J" Thermocouple 4" probe								
2-40-000830	Type "J" Thermocouple wire per Ft.								
2-40-000384	Siemens temp control - #RWF40.001A97								
2-40-000386	Siemens outdoor sensor for RWF40 control - #QAC22								
2-40-000425	Mod Temp control - #T771J1050 outsideRS	x	x	x	x	x	x	x	
2-40-000941	Outdoor Air Temp Sensor # 70612								
2-30-000201	Press/temp gauge 0-100psi-70-320F	x	x	x	x	x	x	x	
2-30-000203	Press/temp gauge 0-300psi-70-320F	x	x	x	x	x	x	x	
2-30-000445	Purge blower motor/fan #4C006B	x	x	x	x	x	x	x	
2-30-001337	Purge fan-G185								x
2-40-002000	Purge fan motor-1/2HP, 115/230/60/1, 3450rpm								x
2-40-000321	RM7865C1007 Programmer	x	x	x	x	x	x	x	x
2-40-000268	R7847A1041 Amplifier	x	x	x	x	x	x	x	x
2-40-000270	Base for RM7865 Programmer - #Q7800A1013	x	x	x	x	x	x	x	x
2-40-000272	Display module for RM7865 Programmer - #S7800A1019	x	x	x	x	x	x	x	x
2-40-000923	SOLA Flame Control	x	x	x	x	x	x	x	x
2-40-000932	SOLA Display	x	x	x	x	x	x	x	x
2-40-000931	SOLA Flame Rod							X	
2-45-000914	Plug Set for SOLA	x	x	x	x	x	x	x	x
2-40-000908	10K ohm Sensor	x	x	x	x	x	x	x	x
2-40-000625	24v Power Supply / Transformer	x	x	x	x	x	x	x	x
2-45-000060	4" x 4" Handy Box	x	x	x	x	x	x	x	x
2-30-000120	Safety Valve 3/4" X 1" 30# 10-614-05	x	x	x	x	x	x		
2-30-000121	Safety Valve 3/4" X 1" 60# 10-614-12	x	x	x	x	x	x	x	
2-30-000145	Safety Valve 3/4" X 1" 100# 10-614-20	x	x	x	x	x	x	x	
2-30-000020	Safety Valve 3/4" X 1" 125# 10-614-25	x	x	x	x	x	x	x	x
2-30-000166	Safety Valve 3/4" X 1" 160# 10-614-36	x	x	x	x	x	x	x	x
2-30-000851	Safety Valve 1" X 1-1/4" 30# 10-615-05								x
2-30-000951	Safety Valve 1" X 1-1/4" 60# 10-615-12								x
2-30-000269	Safety Valve -1 1/4" X 1-1/2" 160# 10-616-36								x

Pulse HW Condensing Hydronic Boilers

Part #	Description	Model: PHW							
		300	500	650	750	950	1000	1400	2000
Accessories									
5-60-000130	Instruction Manual	x	x	x	x	x	x	x	x
4-57-000440	Condensate drain kit	x	x	x	x	x	x	x	x
2-10-000168	Condensate drain float assembly	x	x	x	x	x	x	x	x
5-20-000614	Condensate drain TEE assembly - mod	x	x	x	x	x	x	x	x
2-35-000863	Isolation cube 3" x 2" x 2"	x	x	x	x	x	x		
2-35-000835	Isolation cube 3" x 4" x 2"							x	x
2-35-000864	Isolation spring - green - #FDS-1-450	x	x	x					
2-35-000865	Isolation spring - grey - #FDS-1-800				x	x	x	x	
2-30-000651	Isolation spring - red - #FDS-1-1000								x
2-35-000989	Isolation spring - brown QT model only - #FDS-1-1250							x	x
2-35-000612	Seismic iso spring - green - #FHS-1-450	x	x	x					
2-35-000611	Seismic iso spring - grey - #FHS-1-800				x	x	x	x	
2-30-000653	Seismic iso spring - red - #FHS-1-1000								x
2-12-001007	Air Decoupler Door Gasket 16-1/2" 16-1/2" x 3/8"	x	x						
2-12-001006	Air Decoupler Door Gasket 15-1/2" x 3/8"			x		x		x	
2-12-001010	Air Decoupler Door Gasket 13-7/8" x 3/8"				x		x	x	
2-12-001014	Air Decoupler Door Gasket 21-7/8" x 16-7/8" x 2"								x
2-12-000555	Front Panel Door Gasket	x	x	x	x	x	x	x	x
2-35-000861	2" x 14" flex connector - water	x	x	x	x	x	x		
2-35-000862	2-1/2" x 16" flex connector - water							x	
2-30-000550	4" x 16" flex connector water - flanged								x
2-35-000531	1" x 16" gas flex connector	x	x	x	x				
2-35-000532	1-1/4" x 16" gas flex connector					x	x		
2-35-000801	1-1/2" x 16" gas flex connector							x	x
2-30-000836	Steam hose - 1-1/4" ID x 1-3/4" OD - con drain								x
2-12-001000	Insulation - 2" x 24"W x 48"L /sheet								
2-30-000498	MM flow switch - #FS-4-3-P	x	x	x	x	x	x	x	x
2-45-000040	1/2" Knockout plug	x	x	x	x	x	x	x	x
4-57-000500	Air spacer kit (old style)	x	x		x		x		
4-50-RK0420	Air flapper repair kit	x	x	x	x	x	x	x	x
8-00-002000	Spark plug removal tool - black								x
8-00-002001	Flame rod removal tool - smoky ash								x
8-00-000048	Orifice removal tool for 2" NPT multi-port orifice	x	x	x	x	x	x	x	x
8-00-000049	Air flapper housing removal tool	x	x	x	x	x	x	x	
2-40-000302	Display case for S7800A module - #206311	x	x	x	x	x	x	x	x
2-23-000295	Spray Paint - Smoky Ash - 6oz can - (post 2009)	x	x	x	x	x	x	x	x
2-23-000172	Spray Paint - Tech Tan - 6 oz can	x	x	x	x	x	x	x	x
4-23-000016	Liquid Paint - Tech Tan - quart	x	x	x	x	x	x	x	x
2-35-000799	4" PVC adaptor - air intake			x	x	x	x	x	
2-35-000819	6" PVC adaptor								x
5-10-CH2765	4" C.S. muffler - intake	x	x	x	x	x	x	x	
5-10-CH2755	4" S.S. muffler - exhaust	x	x	x	x	x	x	x	
5-10-CH2780	6" C.S. muffler - intake								x
5-10-CH2775	6" S.S. muffler - exhaust								x
2-35-000033	3" x 3" Fernco coupling -intake - #105633	x	x						
2-35-000061	4" x 3" Fernco coupling - intake - #105643	x	x						
2-35-000827	4" x 4" Fernco coupling - intake - #105644	x	x	x	x	x	x	x	
2-35-000796	4" x 3" Adaptor for exhaust	x	x	x	x	x	x	x	x
2-35-000855	4" x 3" PVC reducer	x	x	x	x	x	x	x	x
4-57-000510	Panel retrofit kit for vibration control				x		x		
2-12-000200	Strip-N-Stick (Gray) - Door Seal 1"	x	x	x	x	x	x	x	x
2-60-000114	High Temp Red Silicone Sealant 10oz. RTV736	x	x	x	x	x	x	x	x
8-00-000101	Material Handling Tool							x	
2-12-001020	Air decoupler insulation set (foil-faced)	x	x						
2-12-001021	Air decoupler insulation set (foil-faced)				x		x		
2-12-001022	Air decoupler insulation set (foil-faced)							x	
2-12-001023	Air decoupler insulation set (foil-faced)								x
4-50-000004	Pulse QT 4" McGill Air Flow Kit								
4-50-000005	Pulse QT 6" McGill Air Flow Kit								
4-50-000006	Pulse QT 8" McGill Air Flow Kit								
4-50-000008	PH Neutralization Kit	x	x	x	x	x	x	x	x
2-30-001580	Magnesium oxide/per bag	x	x	x	x	x	x	x	x
4-50-SP0401	Standard spare parts kit	x	x	x	x	x	x	x	
4-50-SP0402	Extended spare parts kit	x	x	x	x	x	x	x	
4-50-SP0405	Standard spare parts kit								x

Pulse HW Condensing Hydronic Boilers

		Model: PHW							
Part #	Description	300	500	650	750	950	1000	1400	2000
4-50-SP0406	Extended spare parts kit								x
NOTES:									
<i>Standard spare parts kits include (1) air flapper gasket set, (1) gas flapper gasket set, (1) spark plug and (1) flame rod.</i>									
<i>Extended spare parts kits include (1) air flapper gasket set, (1) gas flapper gasket set, (1) spark plug, (1) flame rod, and (1) programmer control.</i>									
Heat Fab venting material available - <i>consult factory</i>									

PHP/PLP High Low Pressure Boilers

Part #	Description	PHP			PLP		
		H500	H650	H750	L500	L650	L750
2-30-000306	Gas solenoid valve - 1" ASCO #8040C4	x	x	x	x	x	x
2-30-000310	Gas valve - motorized - 1" - #V5055A1004	x	x	x	x	x	x
2-40-000214	Gas valve actuator - #V4055A1031	x	x	x	x	x	x
2-30-000750	Gas Pressure Regulator - 1" RV61	x	x	x	x	x	x
2-30-000113	1" Ball Valve - #50GB5A1A	x	x	x			
2-30-000301	1" Diaphragm Gas Valve 120v - #V48A2169	x	x	x	x	x	x
2-30-000330	11-5/8" Gauge Glass Guard Rod	x	x	x	x	x	x
2-12-000185	Gauge Glass 5/8" x 9-3/8" XH	x	x	x	x	x	x
2-12-000911	Gauge Glass Protector 2" x 9-1/2" (Post 9/09)	x	x	x	x	x	x
2-12-000017	Gauge Glass 5/8" x 9-1/4"						
2-12-000016	Gauge Glass 5/8" x 7"						
2-12-000022	Gauge Glass Protector for 9-1/4" Glass (Pre 9/09)						
2-12-000089	Gauge Glass Protector 1-5/8" x 6-3/4"						
2-30-000255	Ball Check Water Gauge Valve - #22-221-10	x	x	x	x	x	x
2-12-000256	Graphite Gauge Glass Gasket (Post 9/09)	x	x	x	x	x	x
2-22-000264	Brass Gauge Glass Washer (Post 9/09)	x	x	x	x	x	x
2-22-000263	Brass Gauge Glass Nut (Post 9/09)	x	x	x	x	x	x
2-20-000002	Gauge Glass Packing Gland (Post 9/09)	x	x	x	x	x	x
2-11-000106	Water Column Bottle 14" L (Pre 5/09)						
2-11-000206	Water Column Bottle 15" L (Post 5/09)	x	x	x	x	x	x
5-20-000042	Water Bottle w/High Water Probe Opening						
5-20-000043	Water Bottle w/Tricock Openings						
5-20-000044	Water Bottle w/Hi Water Probe & Tricock Openings						
2-20-000113	Water Probe 6-1/4" pump off	x	x	x			
2-20-000010	Water Probe 7-1/4" pump on	x	x	x			
2-20-000104	Water Probe 8-1/4" LWCO-wc	x	x	x			
2-20-000011	Water Probe 9-1/4" LWCO-shell	x	x	x			
2-30-000232	Air switch - purge fan - #AP4594-6118	x	x	x	x	x	x
2-30-001334	Air switch - proof of flame - #AP4594-2571	x	x	x	x	x	x
2-40-000231	L4079B1033 MR 2-15# (replaces L404C1147)				x	x	x
2-40-000233	L4079B1041 MR 10-150# (replaces L404C1162)	x	x	x			
2-40-000227	L404F1060 2-15# (replaces L404A1354)				x	x	x
2-40-000200	Motor Starter Relay - #R4242B1005	x	x	x	x	x	x
2-40-000421	Fulton burner LWCO Relay 120V - #26MB1M0-FF	x	x	x	x	x	x
2-40-000420	Fulton Pump Relay 120V - #16MB1M0-FF	x	x	x	x	x	x
2-30-000960	MM 42S-A Pump Control Snap Switch #129702				x	x	x
2-40-000423	Base for LWCO Relay - #OT11-PC	x	x	x	x	x	x
2-40-000422	Base for Fulton Pump Relay 8 pin - #63296	x	x	x	x	x	x
2-40-000270	Base for RM7865 Programmer - #Q7800A1013	x	x	x	x	x	x
2-45-000092	Manual Reset Pushbutton Switch	x	x	x			
2-45-000305	Red pushbutton low water reset light	x	x	x	x	x	x
2-45-000307	Green 2-position on/off switch light	x	x	x	x	x	x
2-45-000304	Green 3-position on/off switch light	x	x	x	x	x	x
2-45-000091	On/off toggle switch	x	x	x	x	x	x
2-35-000811	3" SS Fulton Pulse Adapter - #P7301	x	x	x			
2-30-000445	Purge blower motor/fan #4C006B	x	x	x	x	x	x
2-12-000552	Gas Flapper Gaskets	x	x	x	x	x	x
2-12-000551	Air Flapper Gaskets	x	x	x	x	x	x
2-20-000090	Spark Plug #F121502	x	x	x	x	x	x
2-45-001200	Spark Plug Crimp On Connector	x	x	x	x	x	x
2-20-000047	Spark Plug Boot - orange silicone	x	x	x	x	x	x
7-37-000005	Air Flapper Valve Assembly	x	x	x	x	x	x
2-20-000214	Gas Orifice 3/4" x .651			x			x
2-20-000201	Gas Orifice 3/4" x .525		x			x	
2-20-000212	Gas Orifice 3/4" x .570	x			x		
2-40-000082	Ignition transformer 115/60 - #A06SC2	x	x	x	x	x	x
2-40-000321	RM7865C1007 Programmer	x	x	x	x	x	x
2-23-000172	Spray Paint - Tech Tan - 6 oz can	x	x	x	x	x	x
2-30-000326	4-1/2" Steam Gauge 0-30 psi				x	x	x
2-30-000332	3-1/2" Steam Gauge 0-300psi	x	x	x			

PHP/PLP High Low Pressure Boilers

Part #	Description	PHP			PLP		
		H500	H650	H750	L500	L650	L750
2-30-000070	Safety Valve 150psi 3/4" x 1" - #19KEDA150BE	x	x	x			
2-30-000074	Safety Valve 15psi 1" x 1" - #13-202-B15				x	x	x
2-30-000392	1-1/4" 200psi Y-Blowdown Valve - #226UT	x	x	x	x	x	x
2-30-000396	1" 200psi Spring Check Valve - #50T	x	x	x	x	x	x
2-30-000026	1" Ball Valve - #70B-145-A0	x	x	x	x	x	x
2-40-000533	Hi-Low Gas Pressure Switch #804111701	x	x	x			
4-11-000022	Handhole Cover Assy. Green (replaces 4-11-014)	x	x	x	x	x	x
2-35-000531	1" x 16" Gas Flex Connector	x	x	x	x	x	x
Danfoss Non-Mercury Pressuretrols							
2-40-003045	Pressuretrol w/MR 2-15 PSI - #KP34 / 060-213466	x	x	x	x	x	x
2-40-003046	Pressuretrol w/MR 6-50 PSI - #KP35 / 060-213566	x	x	x			
2-40-003040	Pressuretrol w/MR 15-150 PSI - #060-213366	x	x	x			
2-40-003047	Pressuretrol w/MR 58-300 PSI - #KP47 / 060-213966	x	x	x			
2-40-003041	Pressuretrol w/auto reset 6-50 PSI - #060-213766	x	x	x			
2-40-003042	Pressuretrol w/auto reset 2-15 PSI - #060-213666	x	x	x	x	x	x
2-40-003043	Pressuretrol w/auto reset 15-150 PSI - #060-213166	x	x	x			
2-40-003044	Pressuretrol w/auto reset 58-300 PSI - #060-213866	x	x	x			

Pulse VLP Vertical Low Pressure Boilers

Part #	Description	Model: PVLV	
		750	1150
2-30-000232	Air switch-purge fan - #AP4594-6118	x	x
2-30-001334	Air switch -proof of flame - #AP4594-2571	x	x
2-12-000551	Air flapper gaskets	x	x
7-37-000125	Air flapper metering plate assy	x	x
2-12-000552	Gas flapper gaskets	x	x
2-30-000445	Purge blower motor/fan #4C006B	x	x
2-10-400219	Gas orifice 2" multi-port	x	
2-10-400216	Gas orifice 2" multi-port		x
2-30-000310	Gas valve - motorized - 1" - #V5055A1004	x	
2-30-000306	Gas solenoid valve - 1" ASCO #8040C4	x	
2-40-000220	Gas valve actuator w/P.O.C. - #V4055D1043	x	x
2-40-000253	Gas valve w/P.O.C. - motorized - 1-1/2" - #V5055C1059		x
2-30-000308	1-1/2" Gas solenoid valve - #8215B070		x
2-40-000533	Hi-Low Gas Pressure Switch #804111701	x	x
2-30-003002	Gas butterfly valve - 1" - Eclipse	x	
2-30-003003	Gas butterfly valve - 1-1/4" - Eclipse		x
2-40-000321	RM7865C Programmer	x	x
2-40-000268	R7847A1041 Amplifier	x	x
2-20-000090	Spark plug #F121502	x	x
2-45-000017	Spark plug wire per foot	x	x
2-45-001200	Spark plug crimp on connector	x	x
2-20-000047	Spark plug boot - orange silicone	x	x
2-40-001011	Flame rod - #C7009A1009	x	x
2-40-000082	Ignition transformer 115/60 - #A06SC2	x	x
2-40-000153	8 sec TDR relay (flame rod) - #KRDM418S	x	x
2-40-000420	Fulton pump relay 120V - #16MB1M0-FF	x	x
2-40-000422	Base for Fulton Pump Relay 8 pin - #63296	x	x
2-40-000421	Fulton burner LWCO relay 120V - #26MB1M0-FF	x	x
2-40-000423	Base for LWCO Relay - #OT11-PC	x	x
2-12-000090	Retainer spring for LWCO relay	x	x
2-40-000131	Ice cube relay 120V - #700HA32A1	x	x
2-40-000096	Base for ice cube relay - #700HN125	x	x
2-12-000017	Gauge Glass 5/8" x 9-1/4"		
2-12-000019	Gauge Glass Rubber Gasket (Pre 9/09)		
2-12-000020	Gauge Glass Brass Washers (Pre 9/09)		
2-12-000022	Gauge Glass Protector 1-5/8" x 9-1/8" (Pre 9/09)		
2-30-000255	Ball Check Water Gauge Valve - #22-221-10	x	x
2-12-000256	Graphite Gauge Glass Gasket (Post 9/09)	x	x
2-22-000264	Brass Gauge Glass Washer (Post 9/09)	x	x
2-22-000263	Brass Gauge Glass Nut (Post 9/09)	x	x
2-20-000002	Gauge Glass Packing Gland (Post 9/09)	x	x
2-12-000911	Gauge Glass Protector 2" x 9-1/2" (Post 9/09)	x	x
2-20-000010	Water Probe 7-1/4" pump on	x	x
2-20-000011	Water Probe 9-1/4" pump off	x	x
2-20-000104	Water Probe 8-1/4" LWCO-wc	x	x
2-20-000013	LWCO probe - PV	x	x
2-40-000227	L404F1060 2-15# (replaces L404A1354)	x	x
2-40-000231	L4079B1033 MR 2-15# (replaces L404C1147)	x	x
2-30-000326	4-1/2" Steam Gauge 0-30 psi	x	x
2-40-000998	Pressure transducer 0-15 psi	x	x
2-30-000082	Safety valve 1-1/4" x 1-1/2" 15 psi #13-202-08	x	x
2-40-000863	Mod temp control - UT320-00 Yokogawa	x	x
2-40-000888	NEMA 4 cover for UT-320	x	x
2-40-000722	Mod motor - M7284Q1009	x	x
7-20-006000	4" Butterfly valve assembly - exhaust modulated	x	x
4-11-000024	Yellow Handhole assy.	x	x

Pulse VLP Vertical Low Pressure Boilers

Part #	Description	Model: PVLP	
		750	1150
2-12-000004	Handhole gaskets 3" x 4" x 1/2"	x	x
2-45-000339	Green 3-position switch light	x	x
2-45-000307	Green 2-position on/off switch light	x	x
2-45-000305	Red pushbutton low water reset light	x	x
2-45-000411	Red flame failure pilot light - #3SB3248-6BA20	x	x
2-45-000412	Green call for heat pilot light - #3SB3248-6BA40	x	x
2-45-000203	Light bulb only S&S - sp105	x	x
Accessories			
8-00-002001	Flame rod removal tool - smoky ash	x	x
8-00-002000	Spark plug removal tool - black	x	x
5-10-000397	T-Handle wrench for handholes	x	x
4-57-000440	Condensate drain kit	x	x
5-60-000130	Instruction manual	x	x
2-35-000859	3" x 14" Flex Connector		x
Danfoss Non-Mercury Pressuretrols			
2-40-3045	Pressuretrol w/MR 2-15 PSI - #KP34 / 060-213466	x	x
2-40-3042	Pressuretrol w/auto reset 2-15 PSI - #060-213666	x	x