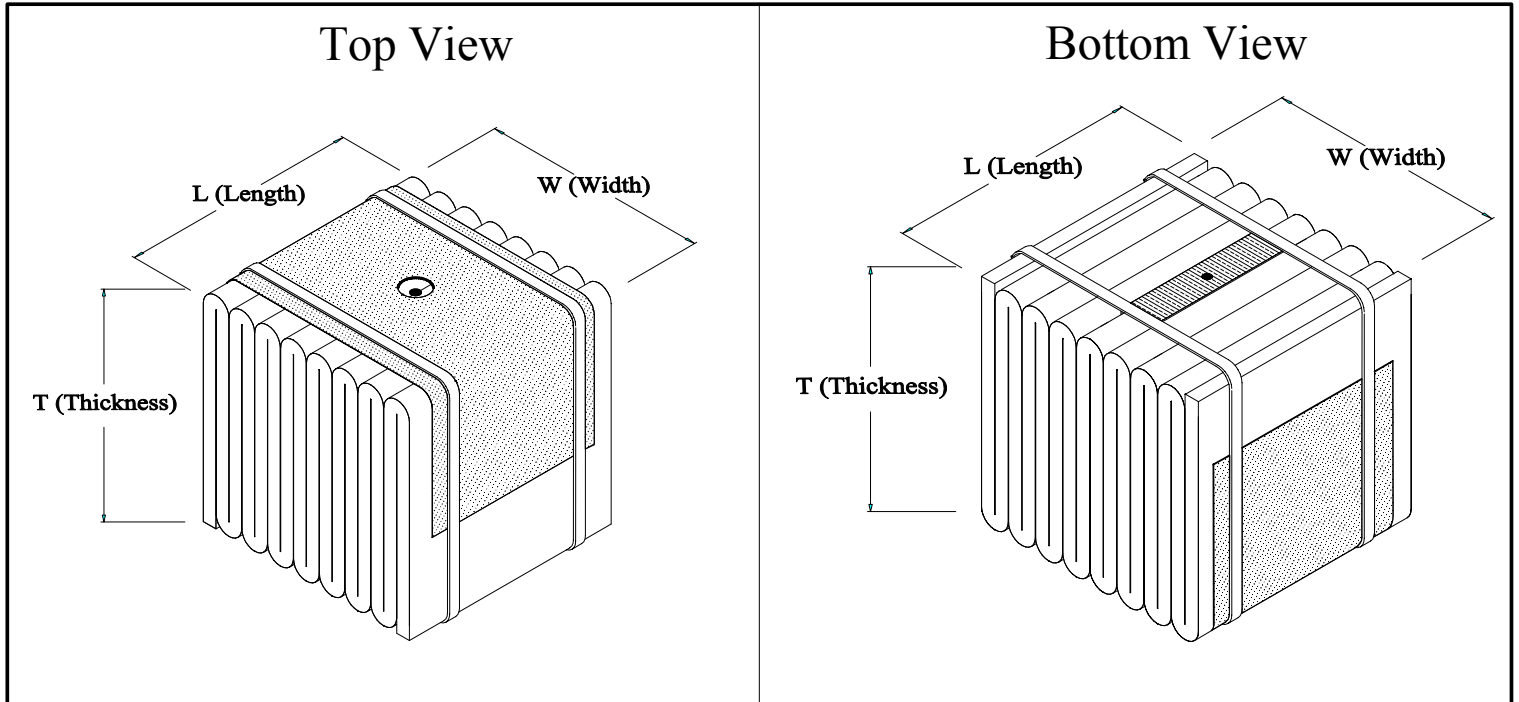


# DELTA

## DF Module Order Sheet

Office: 281-391-1320  
 Fax: 281-391-2015  
 Toll Free: 800-430-2226  
 DRIsales@deltarefractories.com

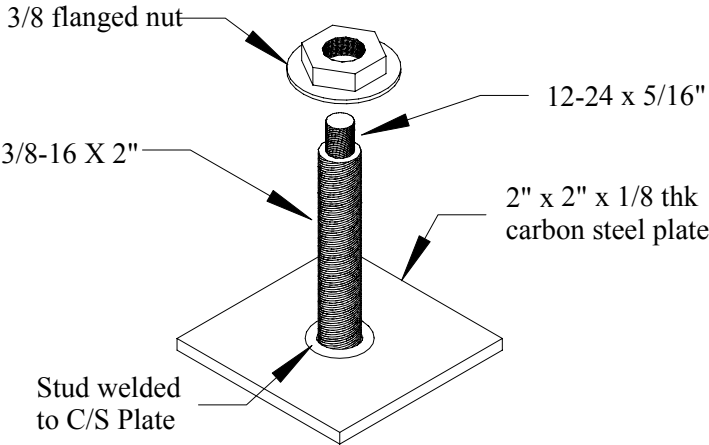
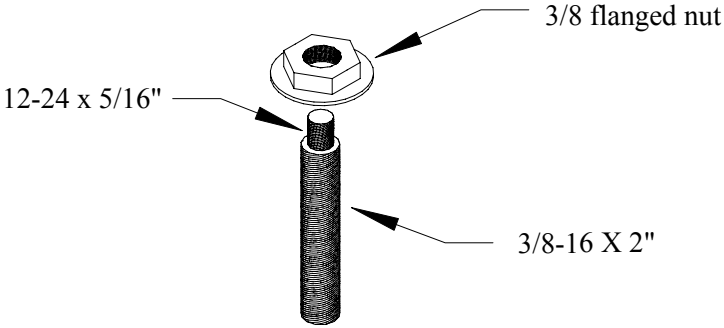
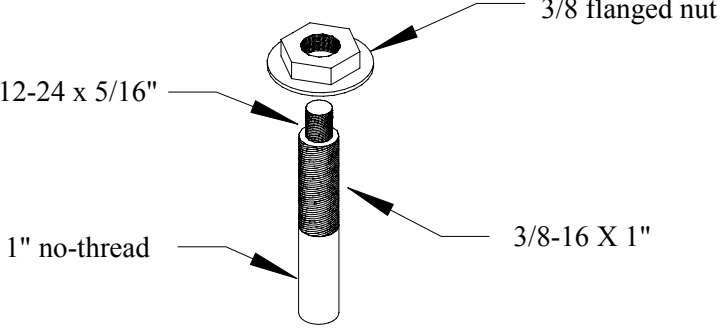
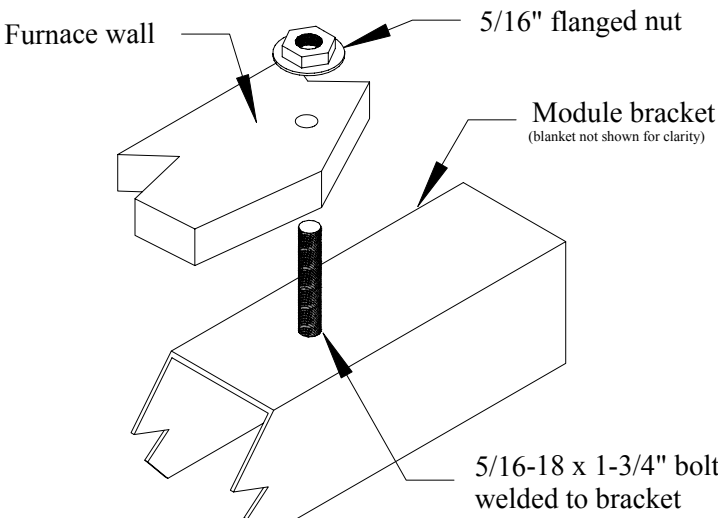


<p><b>Dimensions</b>    L x W x T    <i>(Please complete)</i></p> <p>Length    _____</p> <p>Width    _____</p> <p>Thickness    _____</p>	<p><b>Module Density</b>    <i>(Please check)</i></p> <p><input type="checkbox"/> 8 PCF - 12" W uses 16 layers of 1" 6 lb. blanket</p> <p><input type="checkbox"/> 10.7 PCF - 12" W uses 16 layers of 1" 8 lb. blanket</p> <p style="text-align: center;"><i>(PCF = Pounds Per Cubic Foot)</i></p>
--	--

<p><b>Fiber Grade</b>    <i>(Please check)</i></p> <p><input type="checkbox"/> 2300° F</p> <p><input type="checkbox"/> 2600° F</p> <p><input type="checkbox"/> 2700° F (Special order)</p> <p><input type="checkbox"/> Other _____</p>	<p><b>Attachment Method</b>    <i>(Please check)</i></p> <p><input type="checkbox"/> Through Bolt Assembly - 304 SS</p> <p><input type="checkbox"/> Stud/Nut Assembly for Stud Welding* - 304 SS</p> <p><input type="checkbox"/> Stud/Nut Assembly - 304 SS - Welded to Plate* (Carbon steel)</p> <p><input type="checkbox"/> Other _____</p> <p style="font-size: small;">* Guide rod required for installation Other grades of steel available upon special request</p>
--	---

This drawing and all information is the property of Delta Refractories, Inc. It is confidential and given to you for a limited purpose. Neither this drawing nor any part of this document may be copied, exhibited, or furnished to others without the consent of Delta Refractories, Inc.

# Attachment Method for Delta DF Module

Stud/Nut/Plate Assembly	Stud/Nut Assembly
 <p>3/8 flanged nut</p> <p>12-24 x 5/16"</p> <p>3/8-16 X 2"</p> <p>2" x 2" x 1/8 thk carbon steel plate</p> <p>Stud welded to C/S Plate</p>	 <p>3/8 flanged nut</p> <p>12-24 x 5/16"</p> <p>3/8-16 X 2"</p> <p>3/8-16 x 2-3/8" BW - OAL        12-24 x 5/16" Ext. - 304 stainless steel        Flanged Nut - 3/8" diameter - 304 stainless steel</p> <p>Guide rod required for installation</p>
<p>3/8-16 x 2-3/8" BW - OAL        12-24 x 5/16" Ext. - 304 stainless steel        welded to carbon steel plate        Flanged Nut - 3/8" diameter - 304 stainless steel</p> <p>Guide rod required for installation</p>	<p>Same as above but non threaded 1"</p>  <p>3/8 flanged nut</p> <p>12-24 x 5/16"</p> <p>1" no-thread</p> <p>3/8-16 X 1"</p>
 <p>Furnace wall</p> <p>5/16" flanged nut</p> <p>Module bracket (blanket not shown for clarity)</p> <p>5/16-18 x 1-3/4" bolt welded to bracket</p>	<h3>Through-Bolt Assembly</h3> <p>5/16-18 x 1-3/4" 304 stainless steel bolt        welded to bracket between fiber &amp; channel        Flanged Nut - 5/16" diameter - 304 stainless steel</p>

This drawing and all information is the property of Delta Refractories, Inc. It is confidential and given to you for a limited purpose. Neither this drawing nor any part of this document may be copied, exhibited, or furnished to others without the consent of Delta Refractories, Inc.