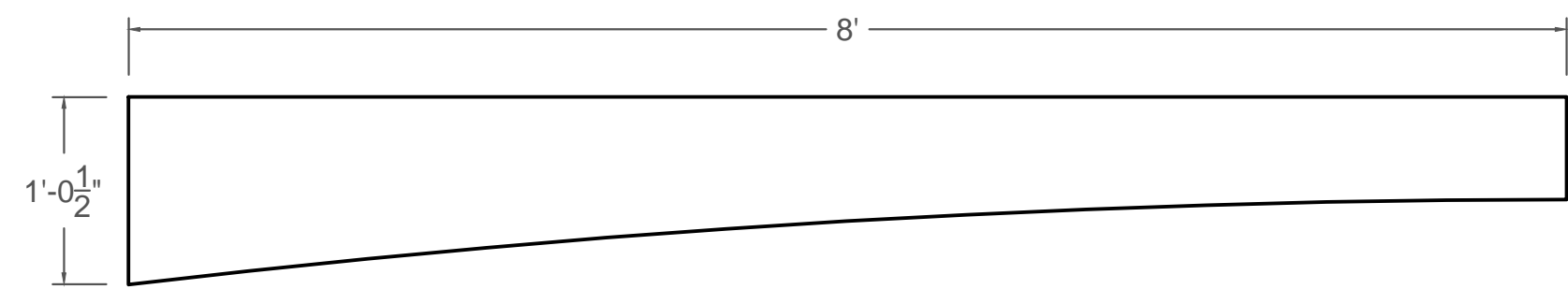
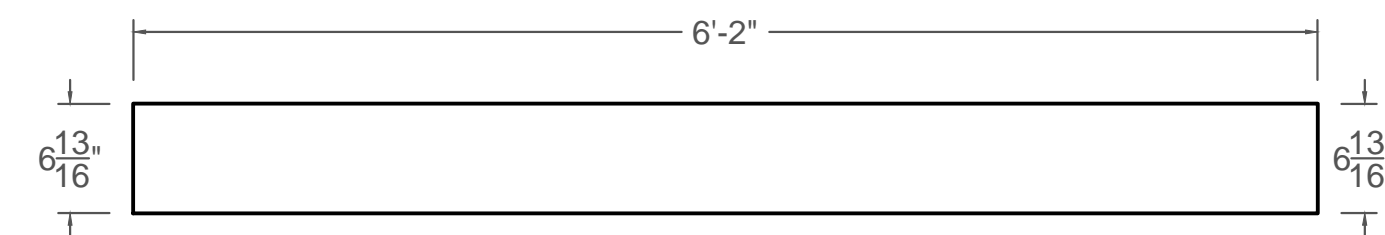


Ladder Unit

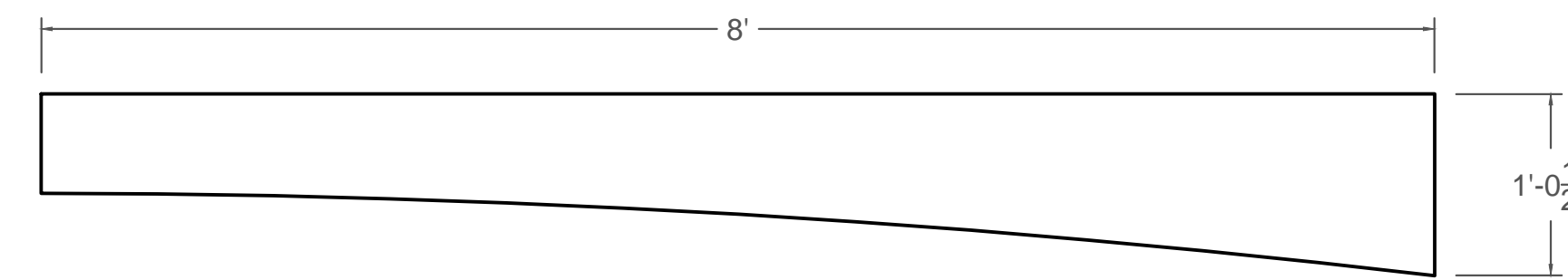
Sheet good reference, Stage Right Section  
Scale: 1"= 1'-0"



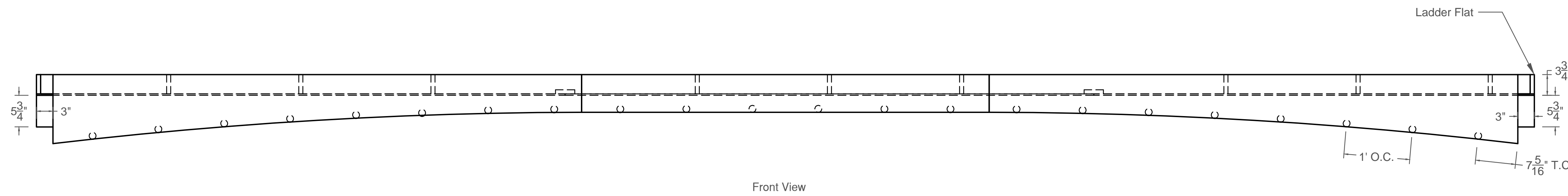
Sheet good reference, Center section  
Scale: 1"= 1'-0"



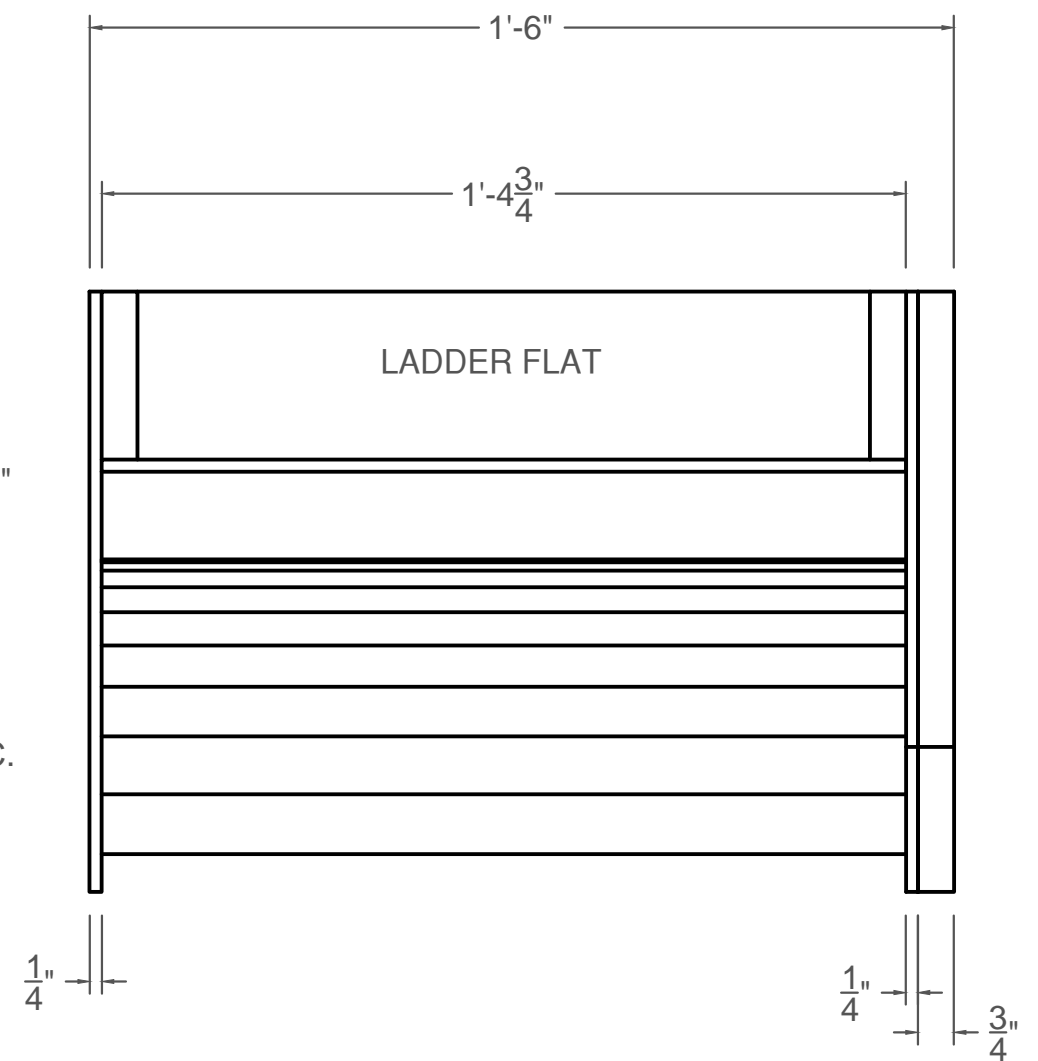
Sheet good reference, Stage Left Section  
Scale: 1"= 1'-0"



Ladder Layout  
Build 1 From Ladder flat, Luan, Ply, and Dowels  
Scale: 1"= 1'-0"

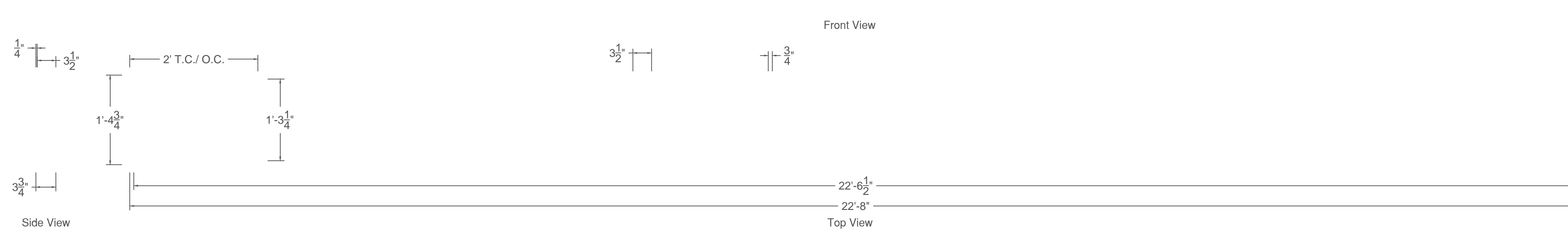


Front View



Side View

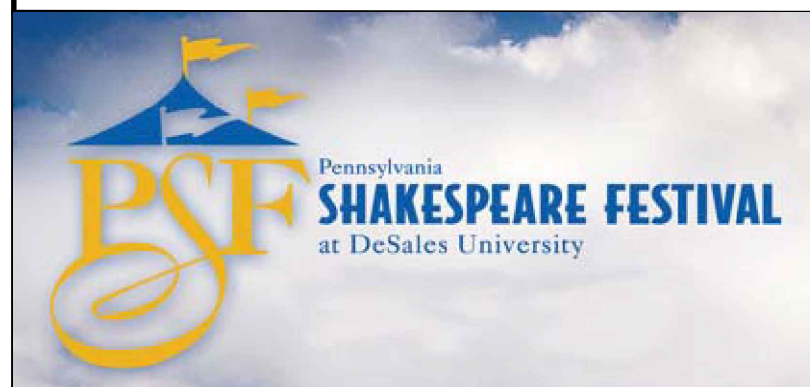
Ladder Flat  
Build 1 From 1x4 and Luan on BOTTOM SIDE  
Glue and Staple  
Scale: 1"= 1'-0"



Front View

Side View

Top View



# Schubert Theatre: Beauty & Beast

Plate Name: Header Ladder

Director: Pfeiffer/ Gina Lamparella

Technical Director: Nick Johnson

Date: 5/15/2013

Rev:

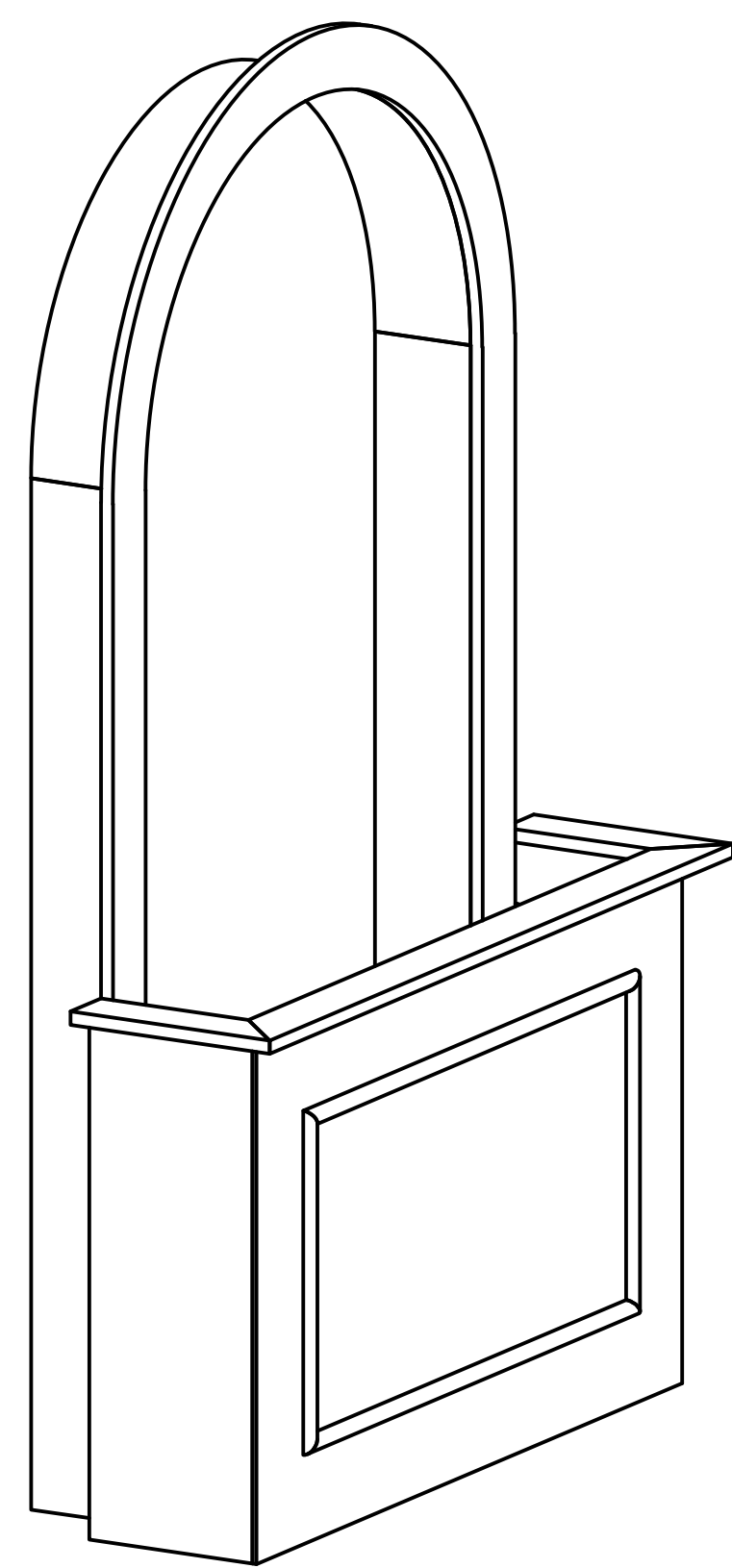
Scenic Designer: Samina Vieth

Drawn By: Aaron Mayer

Scale: As Noted

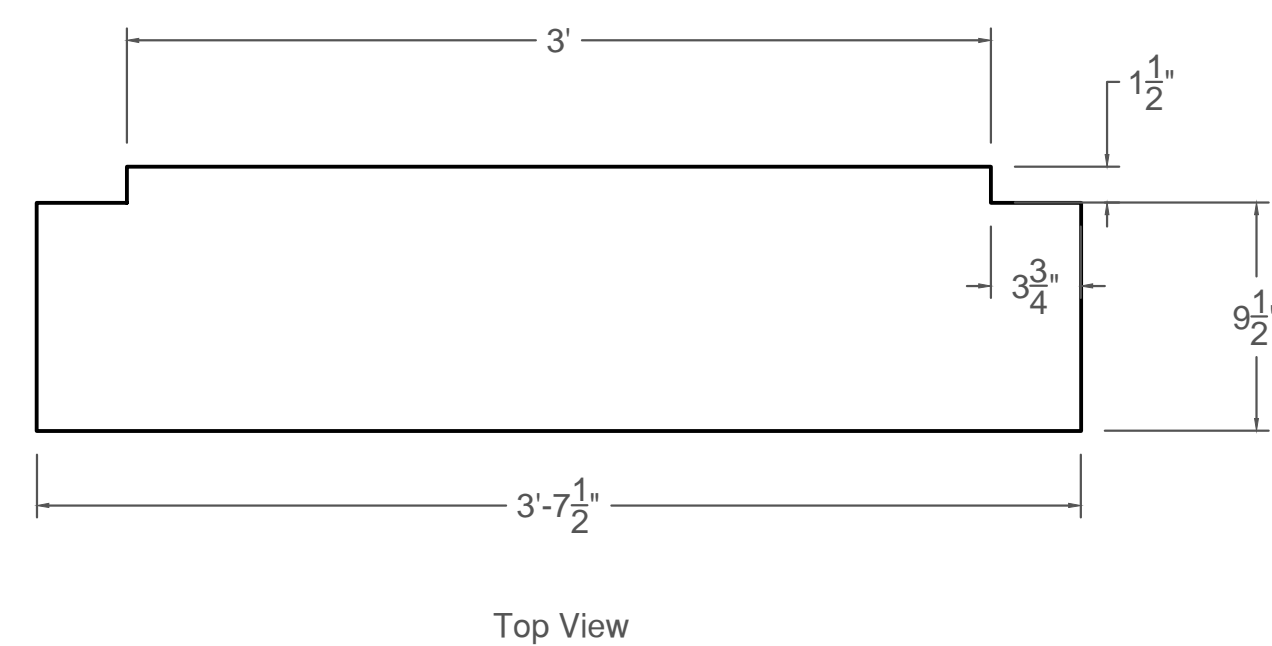
Plate:

# S17

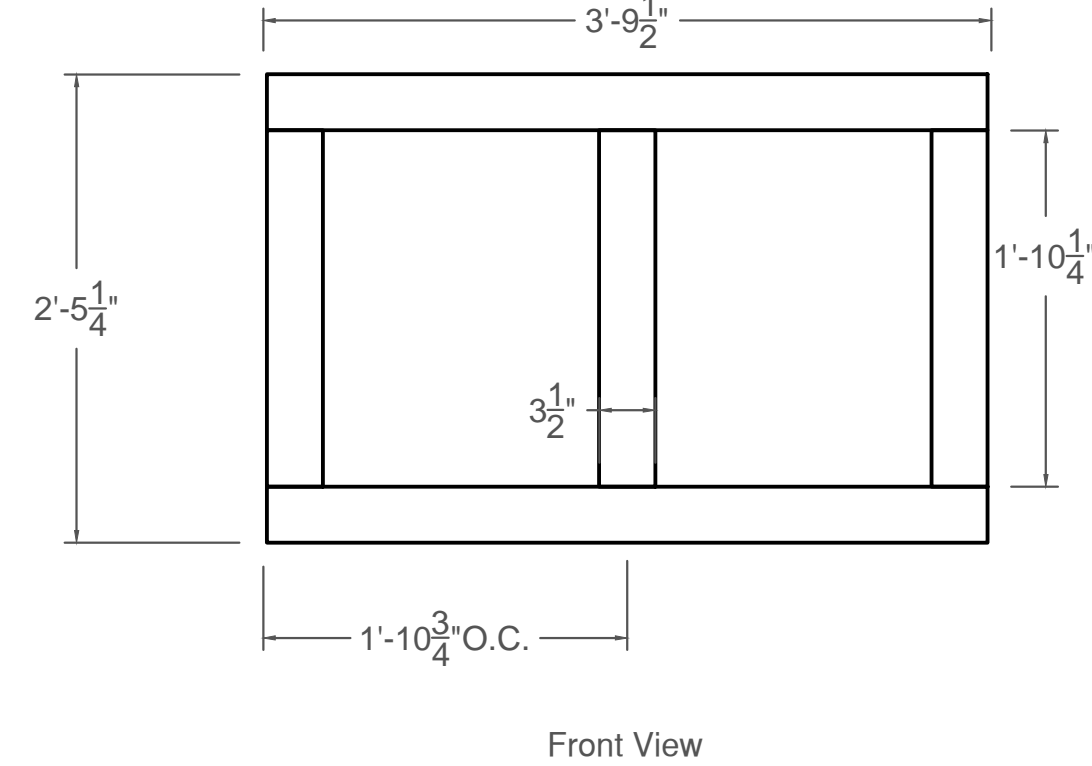


Theatre Boxes- Build 2

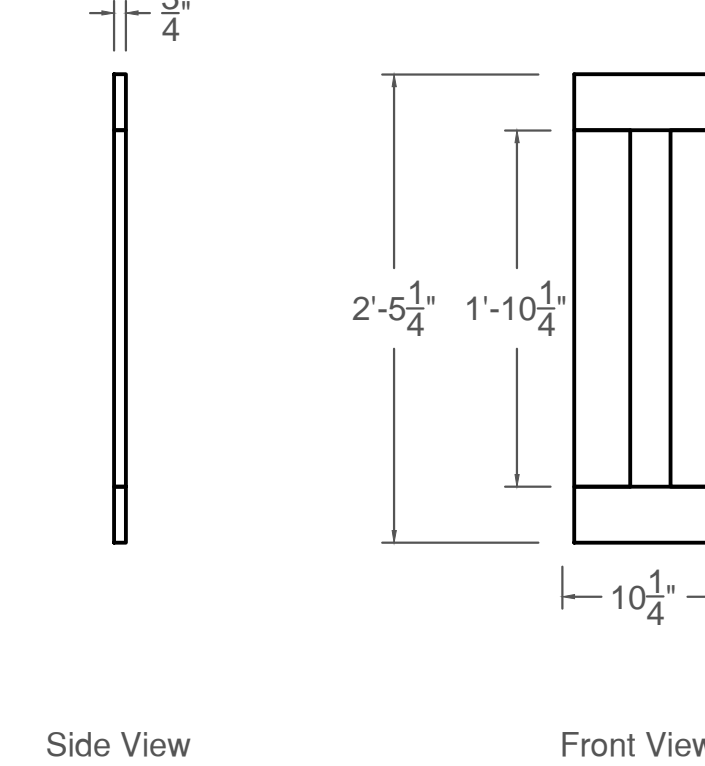
SL Base- Cut 1 from 3/4" Ply  
Scale: 1 1/2" = 1'-0"



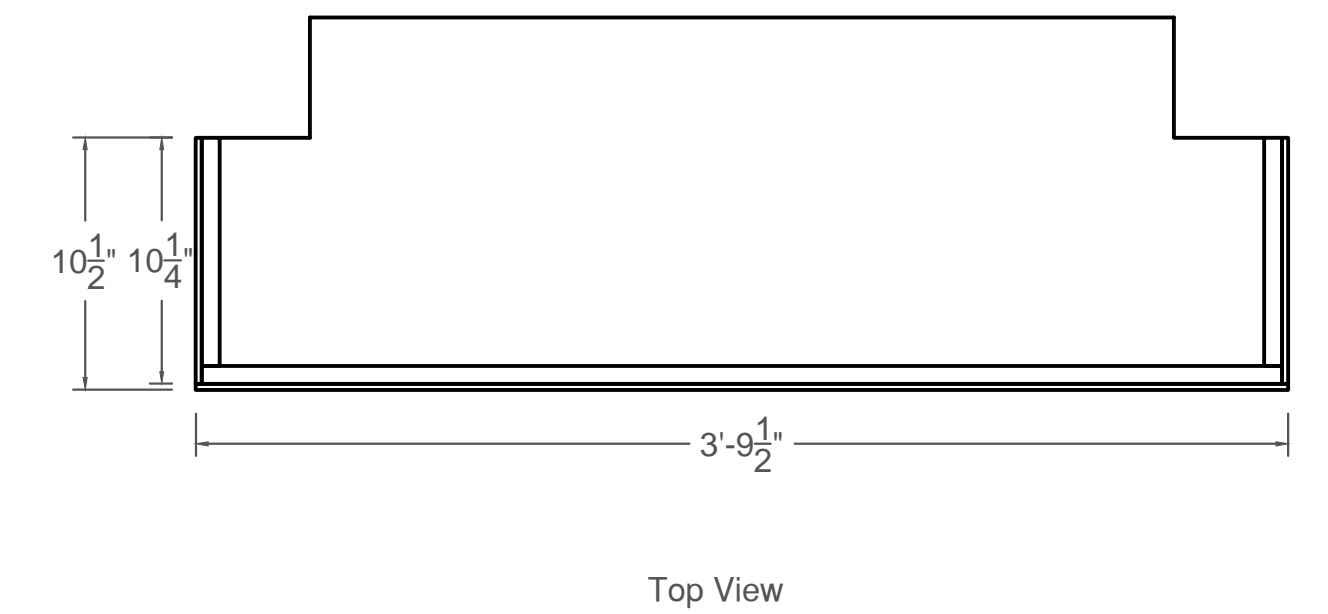
Front Box Wall- Build 1 from 1x4  
Glue and Staple  
Scale: 1" = 1'-0"



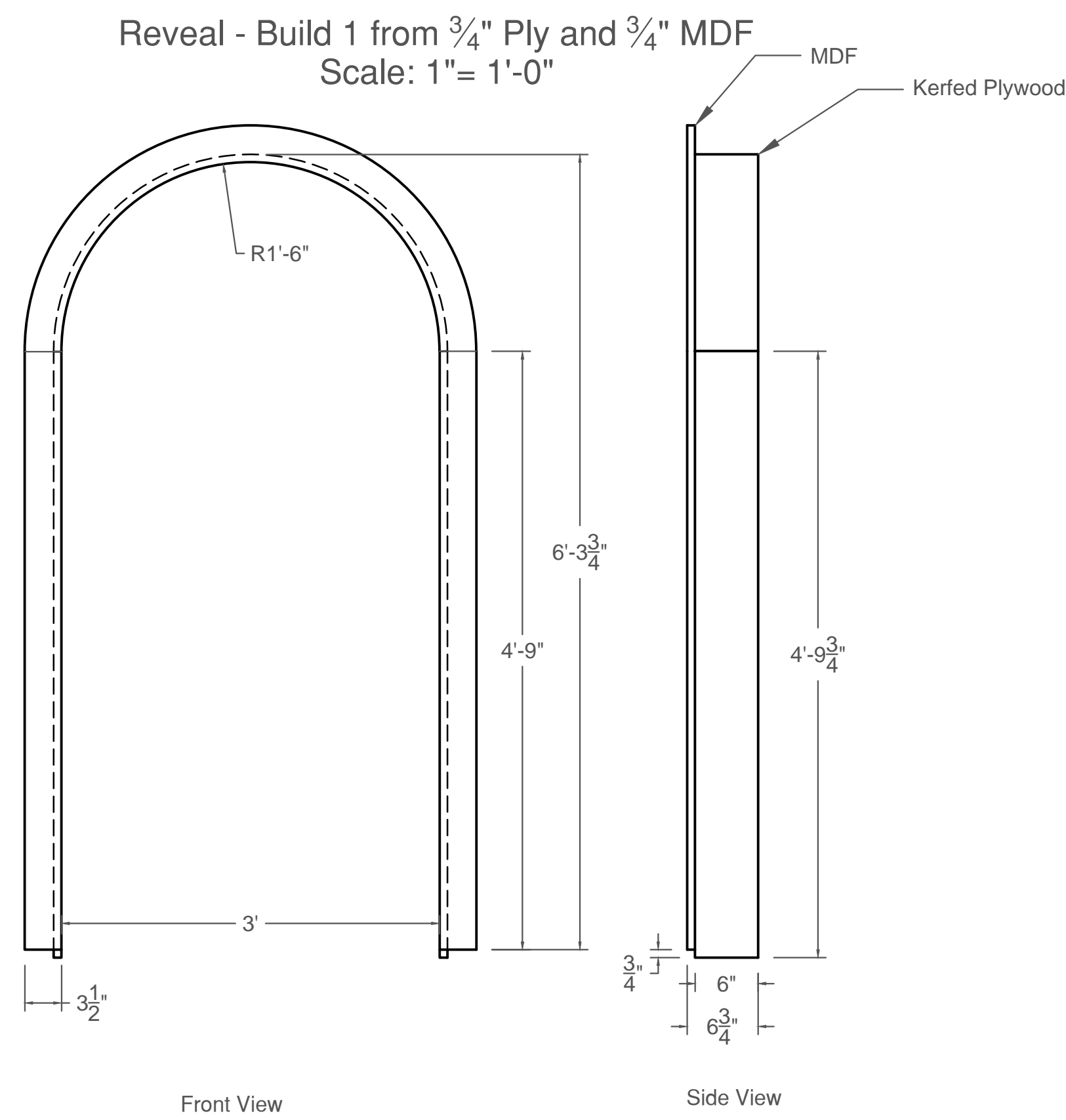
Side Box Walls- Build 2 from 1x4  
Glue and Staple  
Scale: 1" = 1'-0"



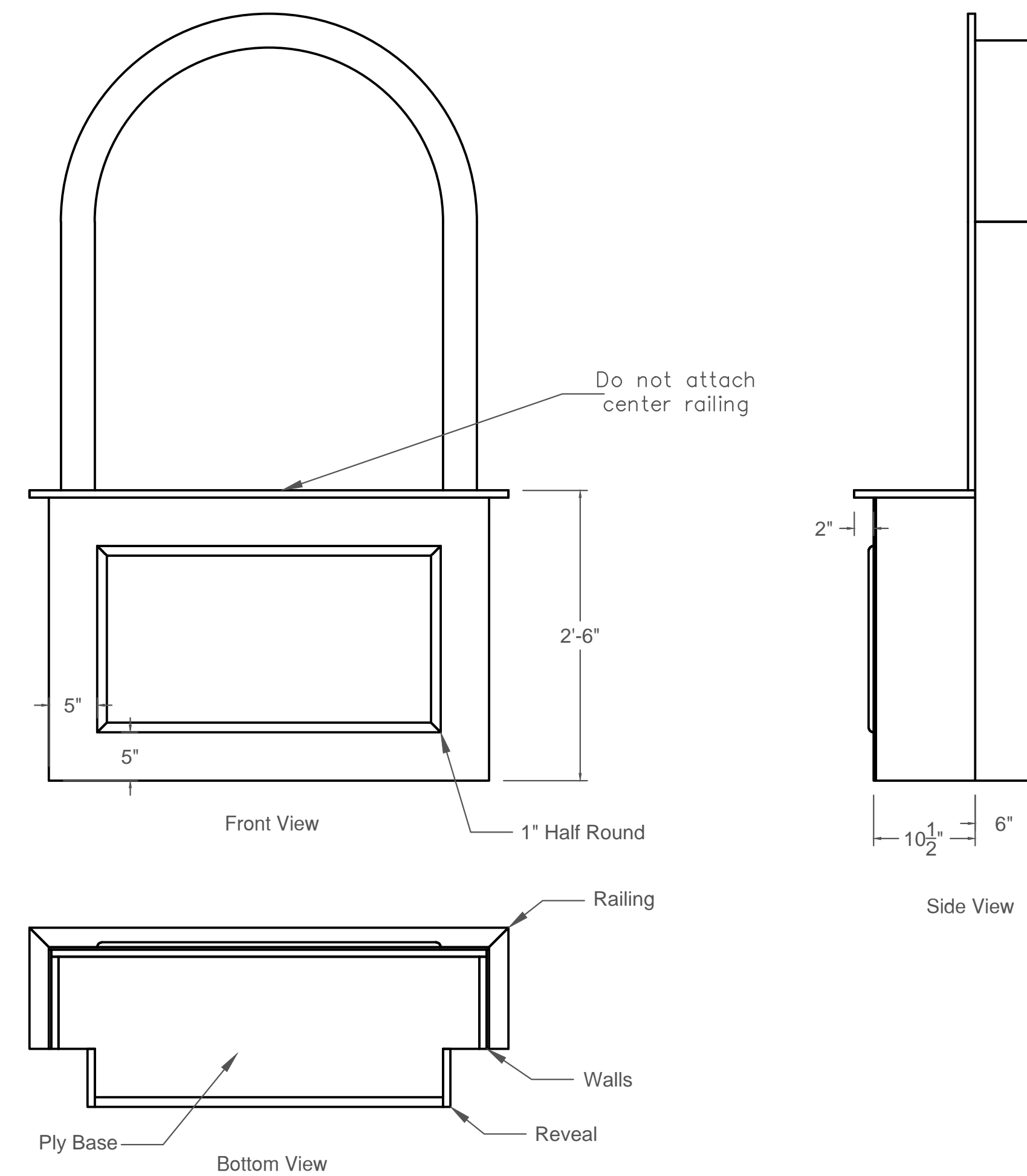
Box Build Up.  
Walls attach to edge of Ply- 1/4" MDF caps walls  
Screw Framing, Brad MDF- Glue All  
Scale: 1" = 1'-0"



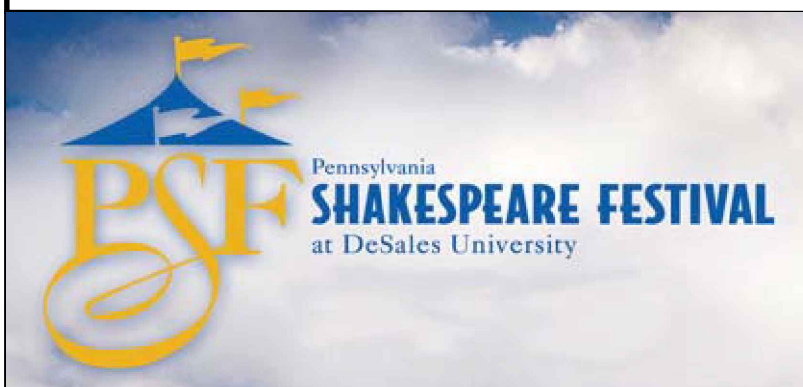
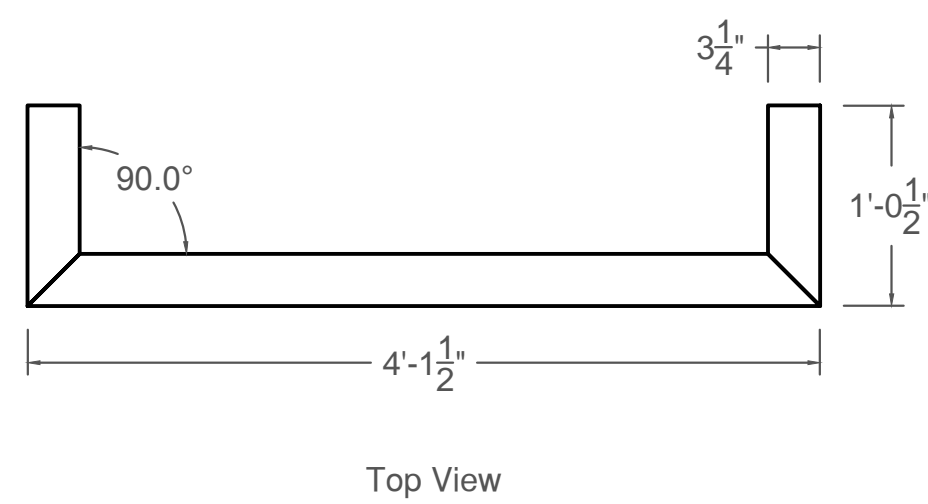
Reveal - Build 1 from 3/4" Ply and 3/4" MDF  
Scale: 1" = 1'-0"



Unit Layout - Build from components  
Scale: 1" = 1'-0"



Railing - Build from 1x4  
Scale: 1" = 1'-0"



# Schubert Theatre: Beauty & Beast

Plate Name: Theatre Boxes

Director: Pfeiffer/ Gina Lamparella

Technical Director: Nick Johnson

Date: 5/16/2013

Rev:

Scenic Designer: Samina Vieth

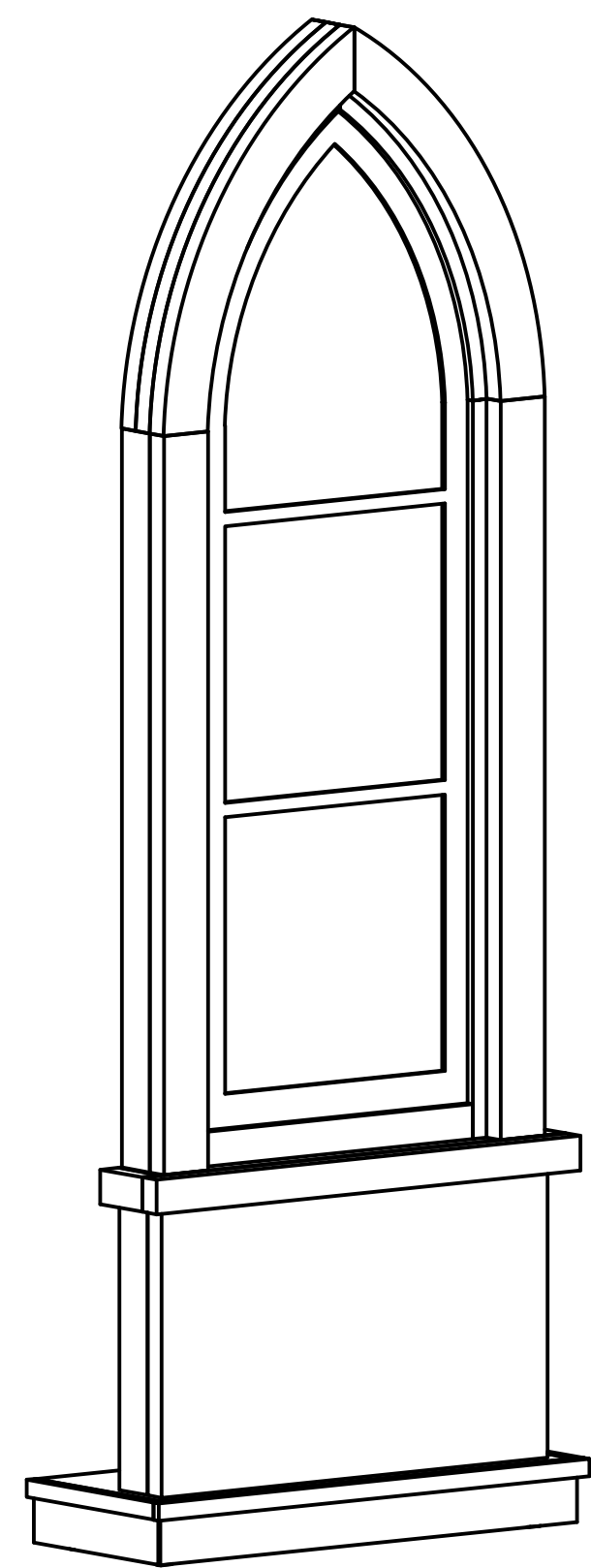
Drawn By: Aaron Mayer

Scale: As Noted

Plate:

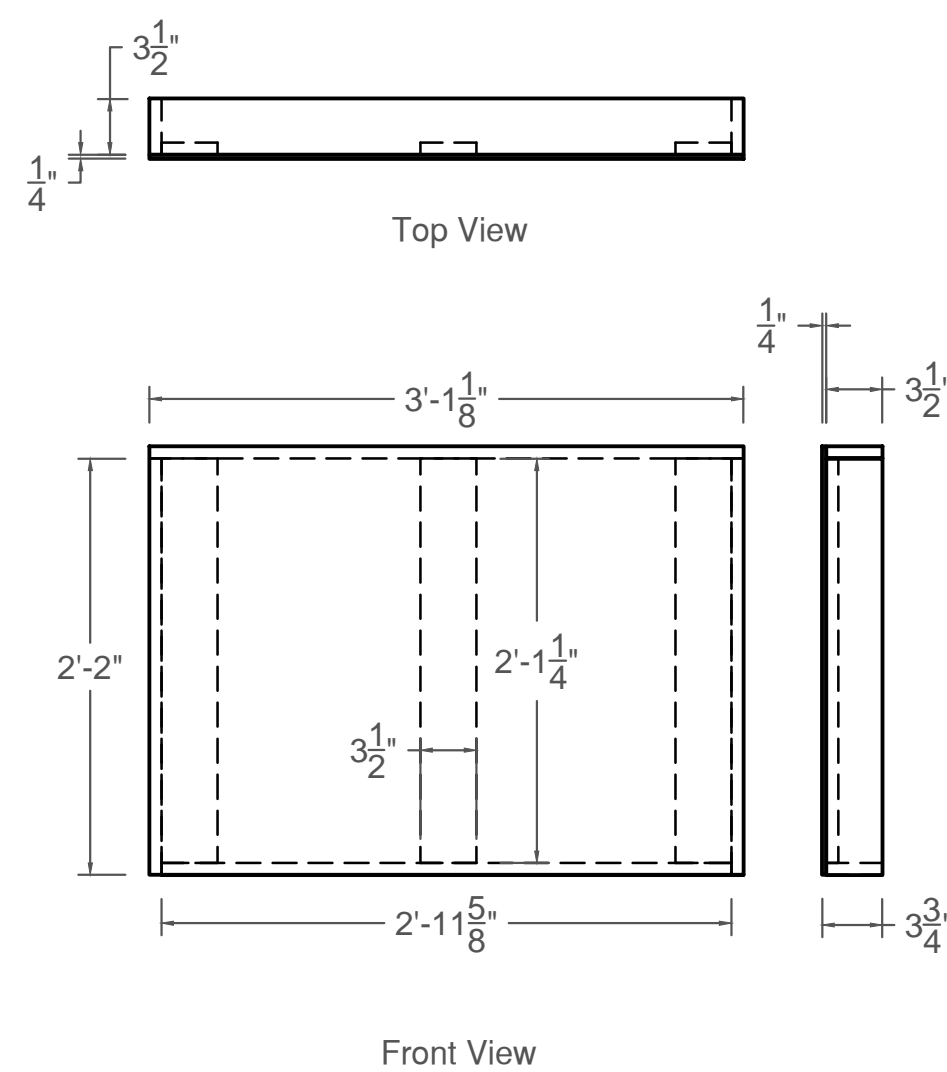
# S18



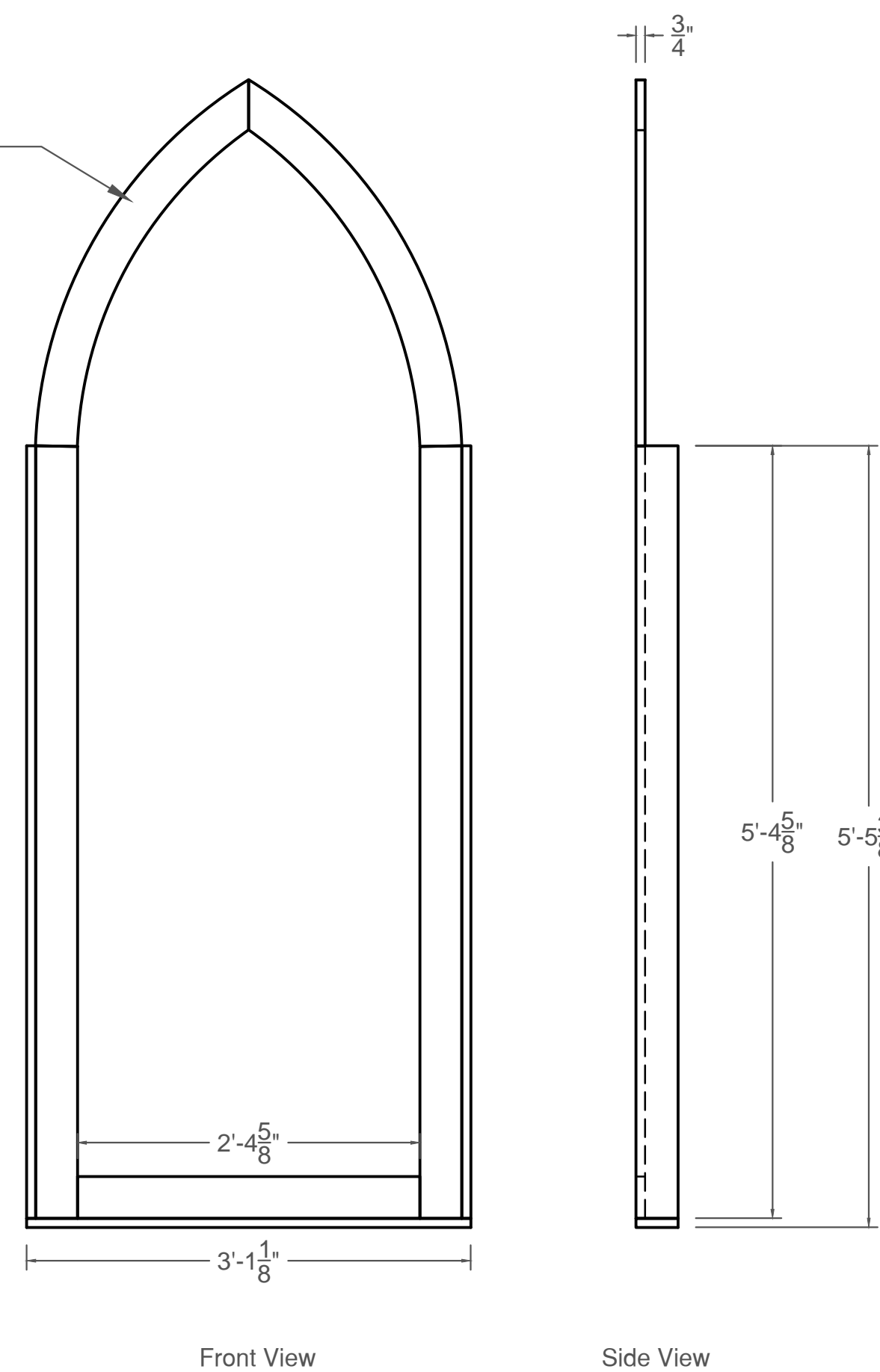


Rolling Windows- Build 2

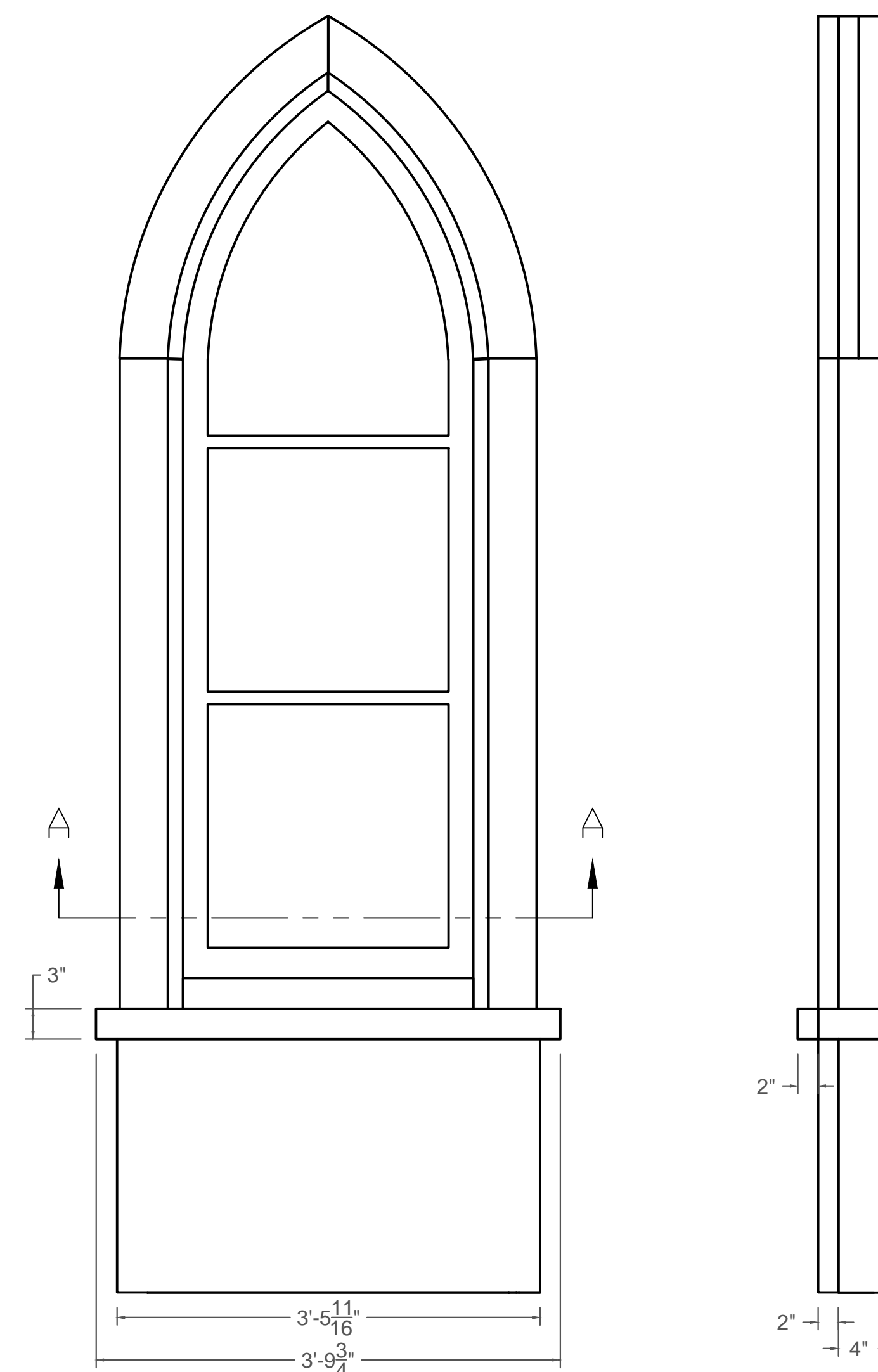
Window Frame Bottom-  
Build 1 from 1x4 and Luan  
Scale: 1"= 1'-0"



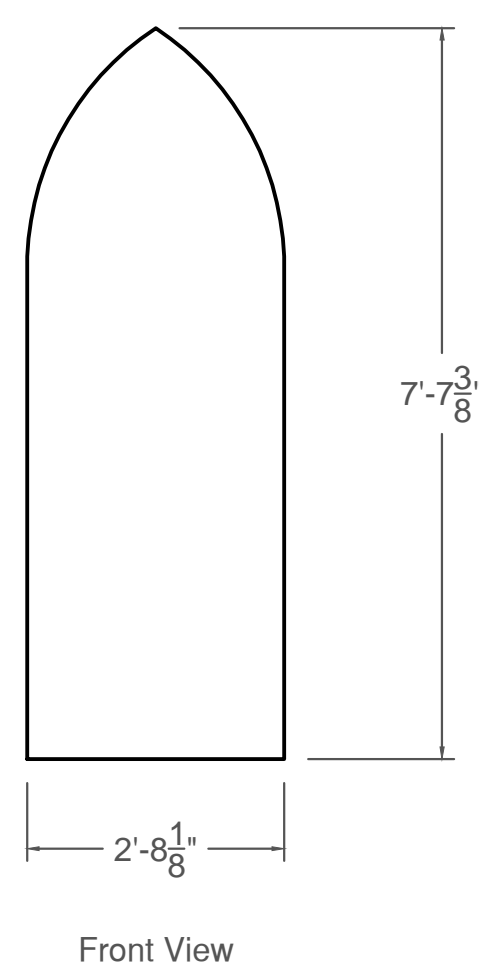
Window Frame Top-  
Build 1 from 1x4 and Luan  
Scale: 1"= 1'-0"



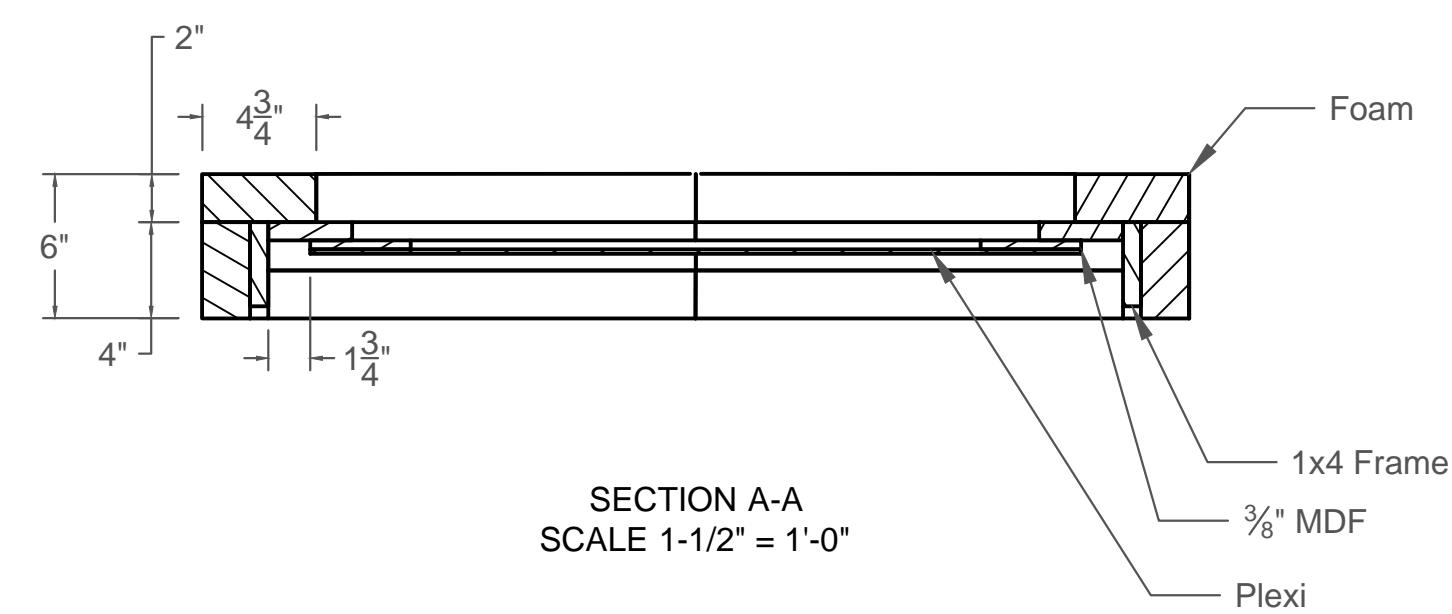
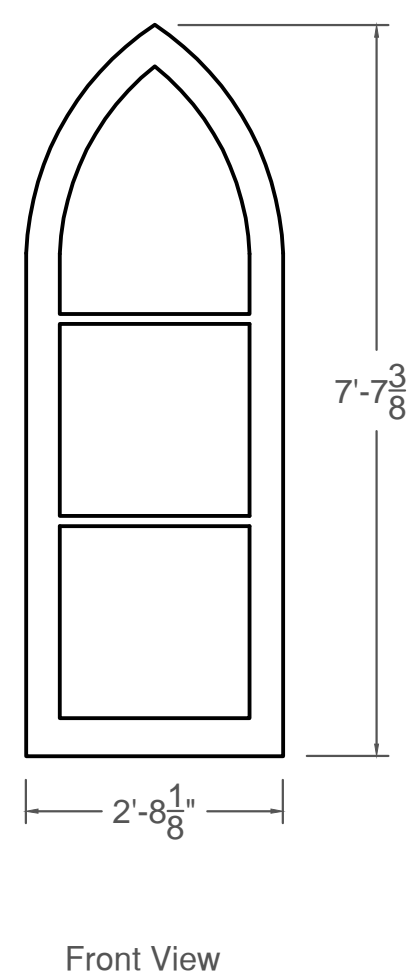
Unit Layout  
Scale: 1" = 1'-0"



Plexi Reference- Flush Route To MDF  
Scale: 1/2" = 1'-0"



MDF Reference- See Template  
Cut 1 from 3/8" MDF  
Scale: 1/2" = 1'-0"



# Schubert Theatre: Beauty & Beast

Plate Name: Rolling Windows

Director: Pfeiffer/ Gina Lamparella

Technical Director: Nick Johnson

Date: 5/17/2013

Rev:

Scenic Designer: Samina Vieth

Drawn By: Aaron Mayer

Scale: As Noted

Plate:

# S22

