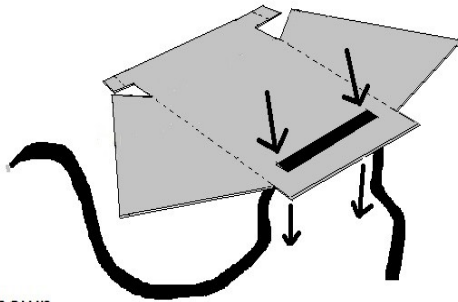


Installation Instructions for the B-Funnel
fits standard Langstroth style hives with openings that are at least 12 inches

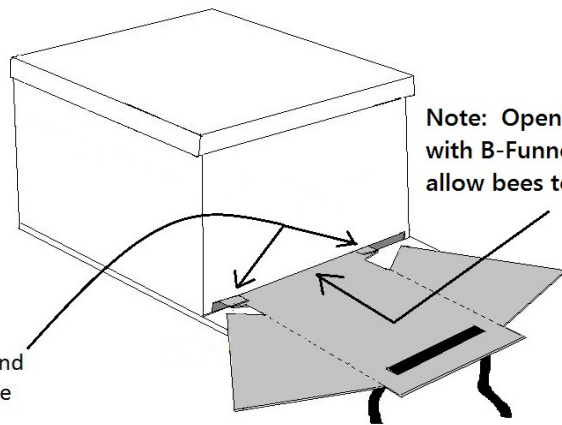
1.

Install strap as shown



2.

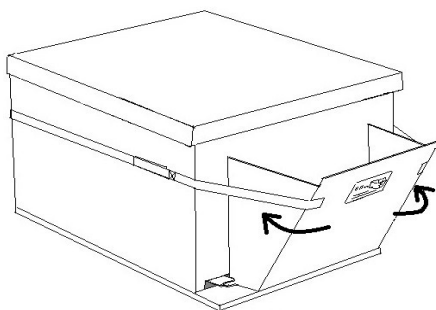
Fold tabs in and place into hive entrance.



Note: Opening must be 3/8" with B-Funnel in place to allow bees to enter the hive.

3.

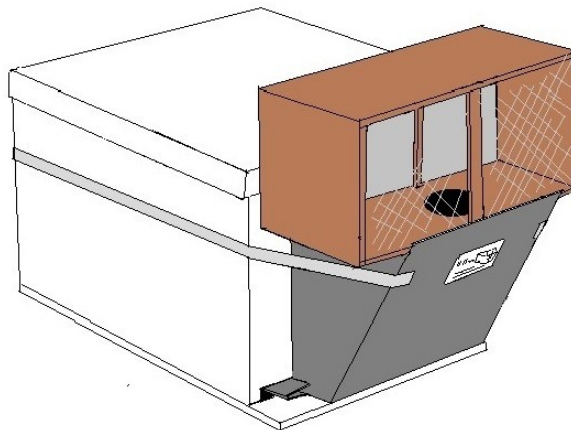
Fold sides in and wrap strap around hive.
Overlap hook and loop straps to hold B-Funnel in place.



Installing a Package with the B-Funnel

NOTES- For best results, install bees using the B-Funnel early enough in the day to allow at least 4 to 5 hours of daylight to give the bees time to move into the hive before nightfall.

- Install the B-Funnel on the hive entrance making sure the strap is securely fastened around the hive body so that the B-Funnel is snug up against the hive front and is below the rim of the outer cover. Set the bee cage on the B-Funnel and adjust the strap if necessary to fit the cage size. It should be snug but not so tight that it distorts the bee cage retainer edge.
- Check opening size. Opening varies on bottom boards. If the opening is less than 3/8" with the B-Funnel installed you may need to insert a stick to prop the box up a little. The bees need at least 3/8" to enter the hive.
- Remove hive outer and inner covers.
- Remove the Queen cage from the bee package. Try to release as few worker bees as possible, covering the cage opening quickly after removing the queen cage.
- Remove the cork on the candy end of the Queen cage and install the queen cage between two frames close to the front of the hive.
- Replace the inner and outer covers so the hive is closed up.
- With the covered opening of the bee cage facing up, tap the bee package on the ground to carefully knock the bees away from the opening.
- Uncover the opening and turn the cage upside down over the B-Funnel opening and set the cage on the B-Funnel rim.
- When all of the bees have left the cage you may remove the cage and the B-Funnel and add an entrance reducer if needed.
- Approximately 3 days after installation, check on the queen cage to be sure the bees have released her from the cage. You may need to release the queen if she has not been released by the workers.
- Monitor the bees as needed to insure that they have established themselves in the hive and that the queen is laying.



Bee cage shown as installed on B-funnel rim
for release of bees into hive.