



# CUSTOM SPRING GAITER MEASUREMENT FORM

## McCoy's Upholstery

Send to:  
sean@mccoysupholstery.com

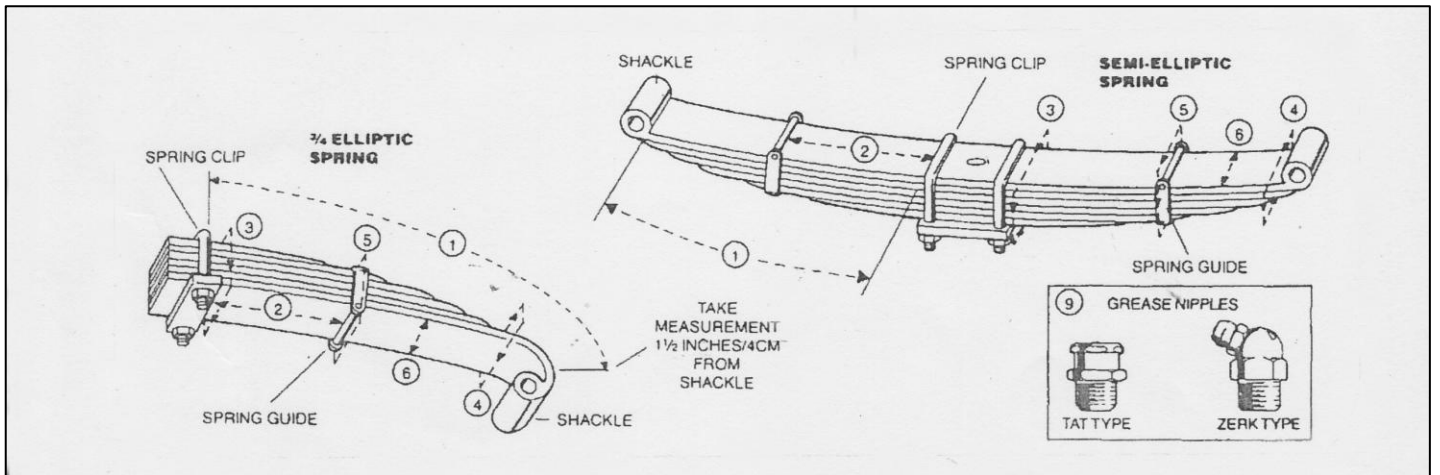
or  
69-14 49<sup>th</sup> Avenue  
Woodside, NY 11377  
Tel.: 718-458-5800

Name \_\_\_\_\_ Date \_\_\_\_\_

Street Address \_\_\_\_\_ City \_\_\_\_\_

State \_\_\_\_\_ Zip \_\_\_\_\_ Daytime Telephone \_\_\_\_\_

Make \_\_\_\_\_ Model \_\_\_\_\_ Year \_\_\_\_\_ No. of covers needed \_\_\_\_\_



PLEASE PROVIDE EXACT MEASUREMENTS FOR PROPER FIT (print clearly)					
	Front Springs		Back Springs		3/4 Elliptic Portion (if any)
	Front Half	Back Half	Front Half	Back Half	
1. Full length of half spring					
2. Length from spring clip to center of each guide					
3. Girth (circumference) of thick end					
4. Girth (circumference) of thin end					
5. Girth (circumference) of guide					
6. Width of spring					
Fastening Method (lace-up unless otherwise specified):					
State if any spring is cantilever (upside down) or transverse:					
If grease nipples required, state Tat or Zerk type (check one or leave blank)				Tat:	Zerk:
State if GUIDE BOLTS or largest protrusions are on TOP or BOTTOM of spring:					

**An estimate will be provided once your information is received.**