



Ideal Cooking Products Vertical Broiler (AI Pastor Broiler) unique compact design offer an easy to fit product in any chef's kitchen to maximize space and satisfy the most demanding needs and assuring optimal performance and low operating and maintenance costs.

A unique design with upper double sided panels and heavy duty welded bottom griddle along with a high efficient infra-red burner complement these units' rough appearance.

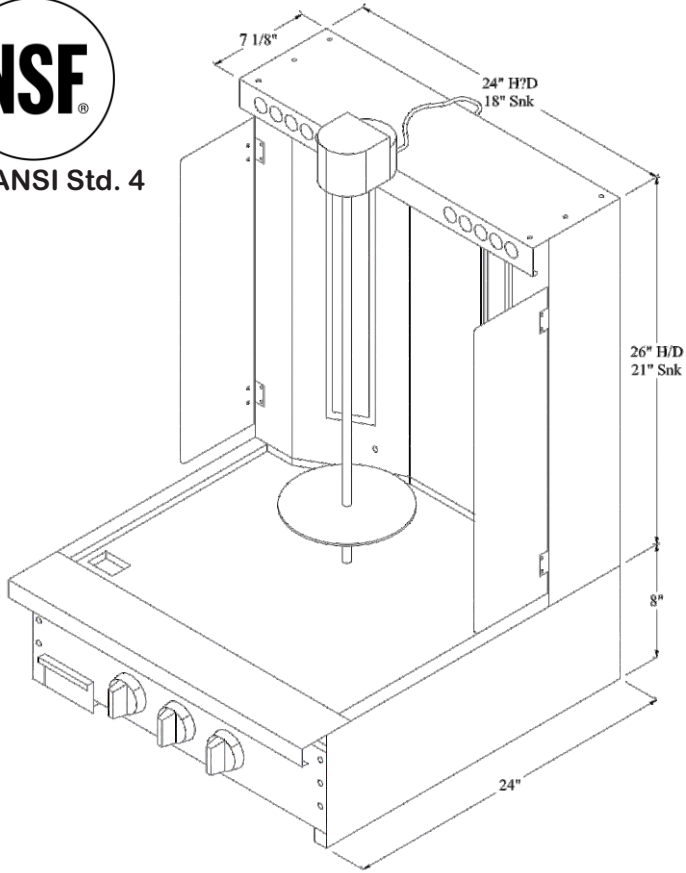
Ideal Cooking Products Counter top Line-up align perfectly with other Ideal Products on height, depth and other design alike features such as bull noses and same valve alignment height among others.



Model: IDVB-18 (Gyro)



NSF/ANSI Std. 4



STANDARD FEATURES

- Heavy gage stainless steel top and exteriors.
- 1" upper double side panels for better insulation.
- 4" stainless steel bull nose provides large extra work space.
- Skewer holds up to 20 lbs. of meat for the snack line and up to 45 for the large one.
- Unique large capacity bottom griddle to warm tortillas or give an extra crispy appearance.
- Two efficient high BTU/hr Infra-red burners.
- Special design burner for bottom griddle.
- All three burners are controlled individually by a heavy duty knob.
- Large capacity removable grease can.
- Toggle switch turns motor on/off.
- Easy to load skewers on the units.
- Complies with "ANS Z83.11a-2004 / CSA 1.8-2004 Food Service Equipment".

Gas: 1/2" NPT rear gas connection, specify type of gas and altitude if over 2,000 feet.
 Pressure: 5" W.C. - Natural Gas
 10" W.C. - Propane Gas
 Note: Install the adequate pressure regulator at the inlet of the gas line.

Vertical Broilers (Gyro - Taco al Pastor)

Model	Dimensions	Weight	Total BTU's/hr	Price List	#s of Meat
IDVB-18	18"W x 24"D x 26"H	85 Lbs.	20,000	\$ 2,510.00	25 Aprox.
IDVB-21	21"W x 24"D x 28"H	105 Lbs	25,000	\$3,460.00	40 Aprox.
IDVB-24	24"W x 24"D x 32"H	135 Lbs	35,000	\$4,015.00	75 Aprox.