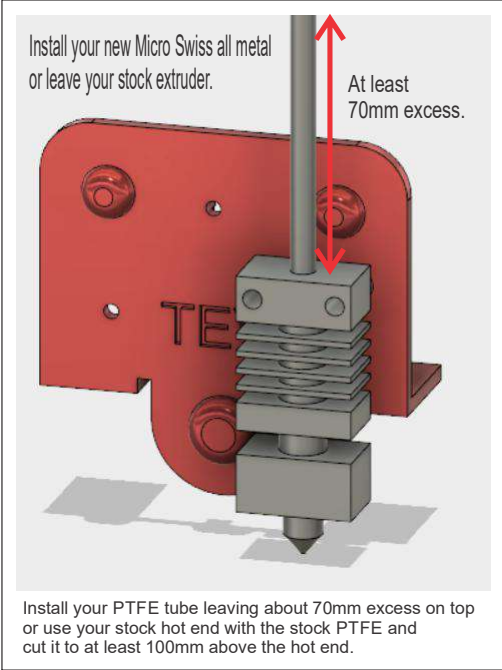
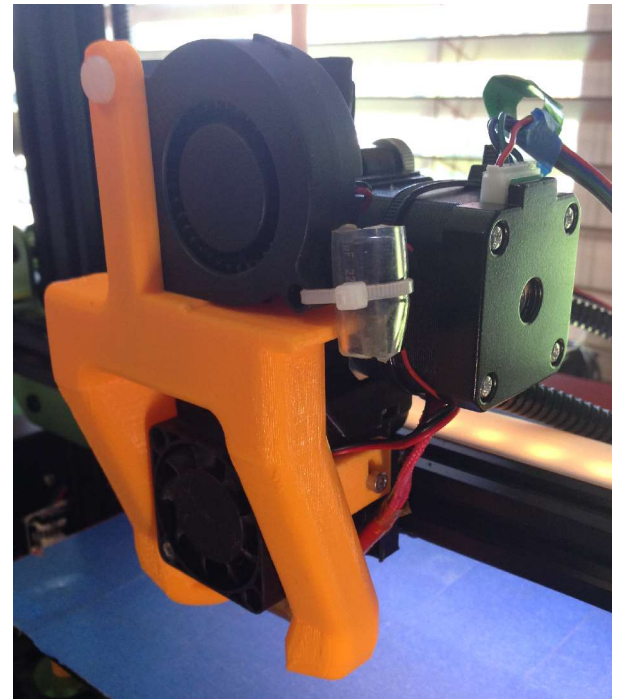
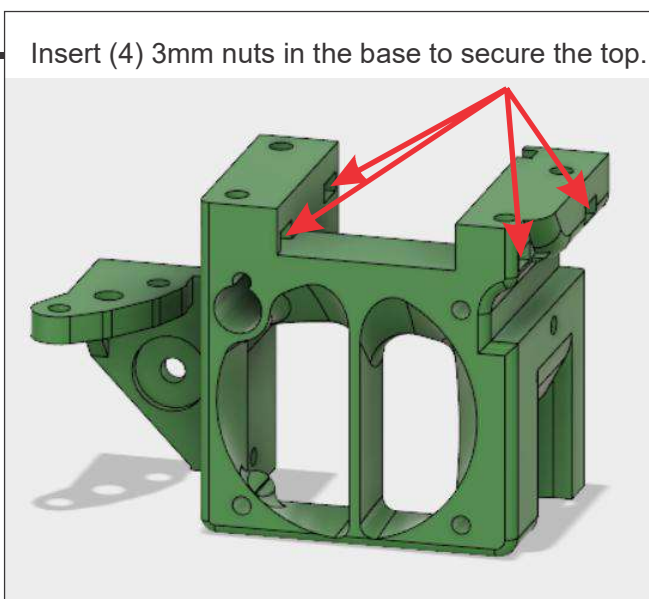


These installation instructions address the base and extruder mounting for the Micro Swiss and Stock hot end Petsfang Direct Titan Mod and does not address wiring or filament spool mounting which will be different on each platform and user preferences.

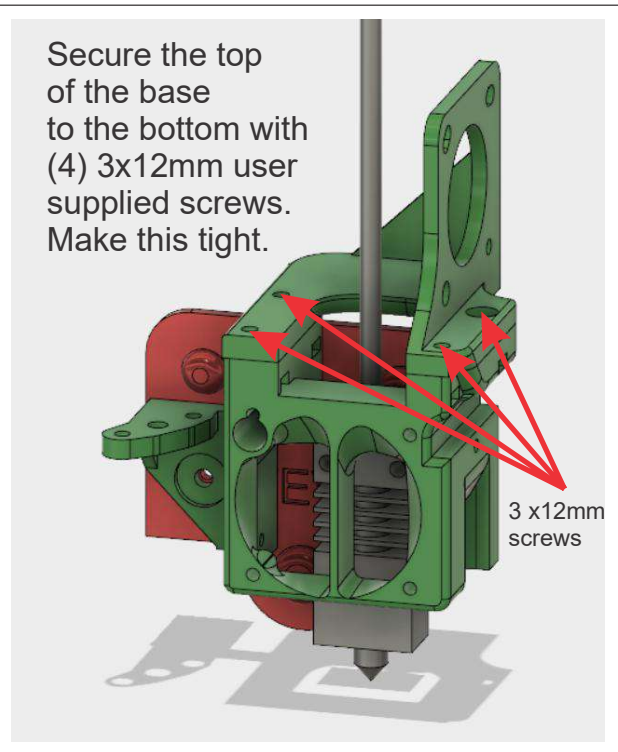
1.



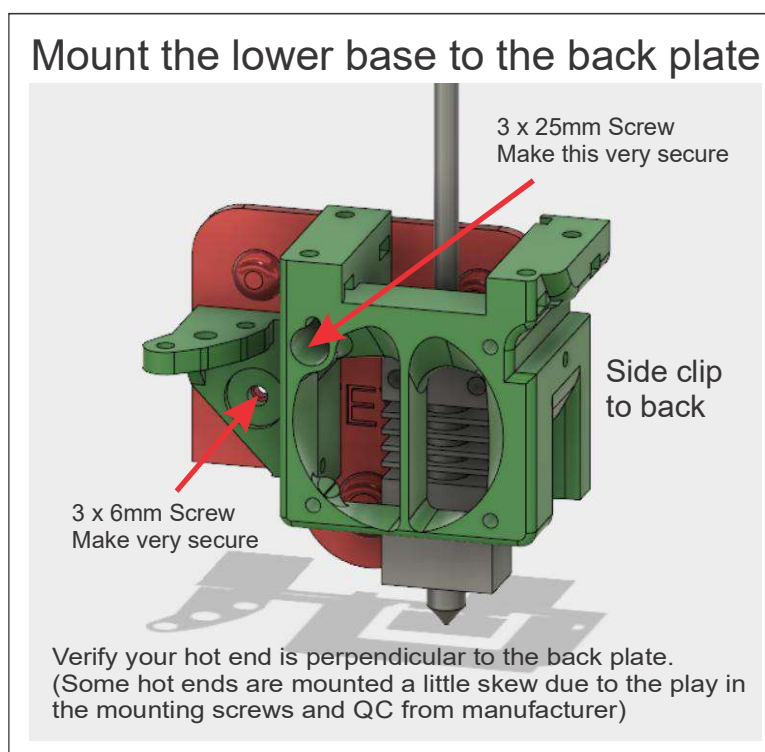
2.



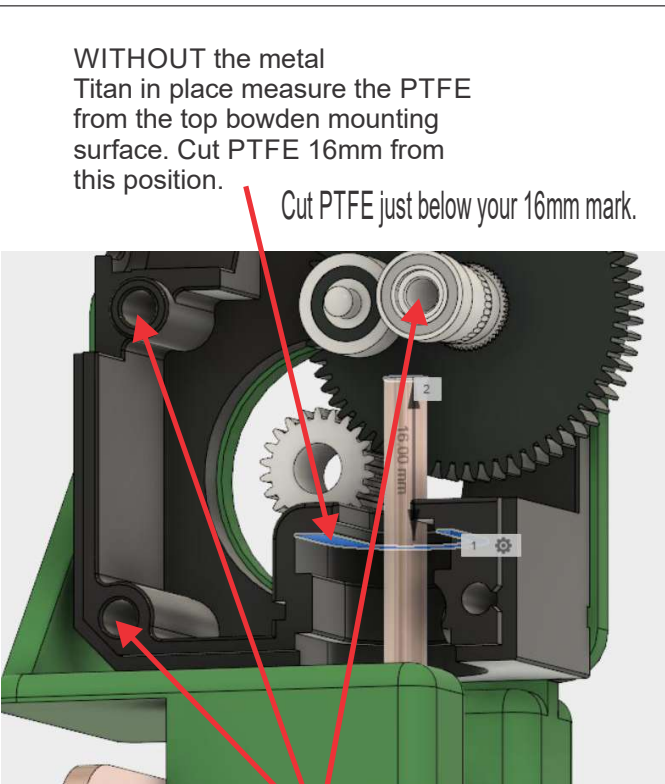
3.



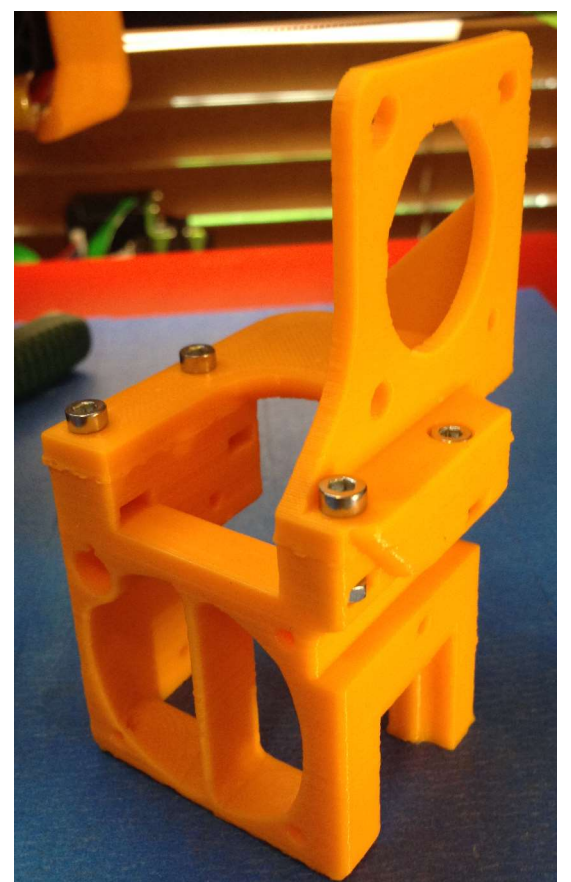
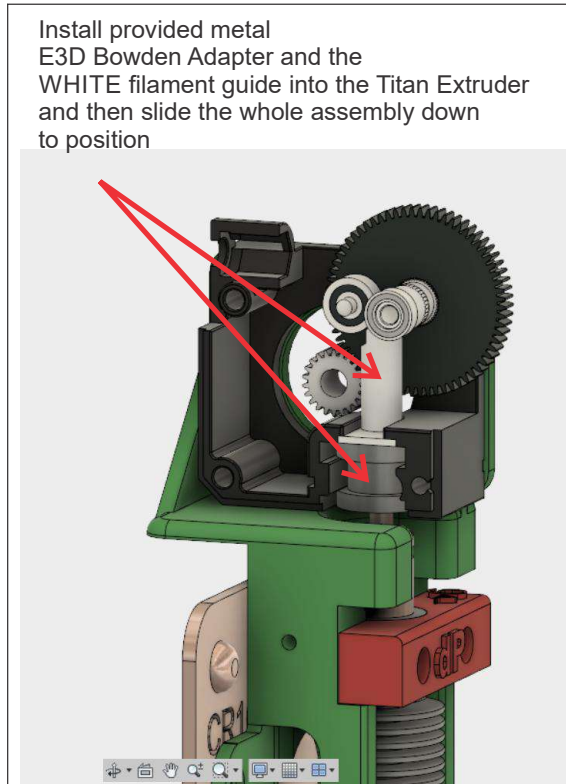
4.



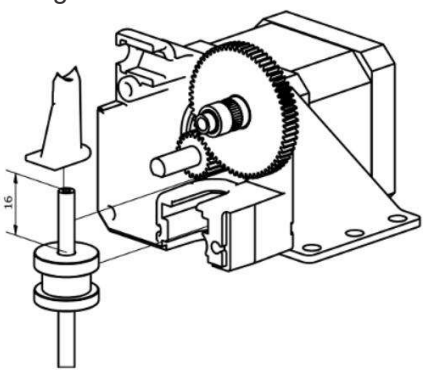
5.



6.



Make sure you have the (3) Titan Extruder to motor through holes to the motor temporarily so extruder position will be true. These just need to be loose and pushed through the base mount for positioning.



At this point you can finish the E3D Titan assembly at [https://wiki.e3d-online.com/Titan\\_Assembly](https://wiki.e3d-online.com/Titan_Assembly)