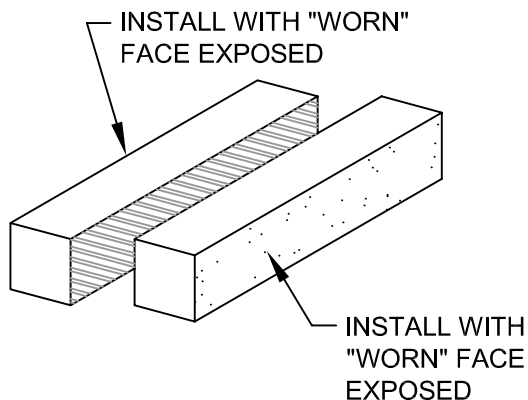
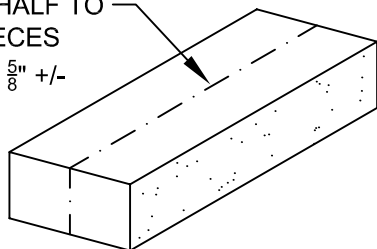


FIREBRICK CUTTING OPTIONS

CUT OPTION A

BELGIAN GREY: $3\frac{1}{4}$ " x 7" x $1\frac{3}{4}$ " BRICK
Note: Sizes are approximate and may vary.

CUT BRICK IN HALF TO
YIELD TWO PIECES
 $1\frac{3}{4}$ " W x 7" L x $1\frac{5}{8}$ " +/-
THICK



CUT OPTION B

**NOTE: WITH THIS OPTION, THERE MAY BE MORE BREAKAGE THAN WITH OPTION A, AS CUTTING THROUGH THE THIN SIDE IS MORE DIFFICULT & MAY RESULT IN MORE FRAGILE PIECES.

BELGIAN GREY: $3\frac{1}{4}$ " x 7" x $1\frac{3}{4}$ " BRICK
Note: Sizes are approximate and may vary.

CUT BRICK THROUGH
THE MIDDLE TO YIELD
TWO PIECES
 $3\frac{1}{4}$ " W x 7" L x $\frac{7}{8}$ " +/-
THICK

