

ESP-400

Electronic Static Pressure Control Panel

ESP-400

The ESP-400 is an award winning add-on panel that is used with an existing zone panel. As dampers open and close, the ESP-400 uses the included static pressure sensor to monitor static pressure in a zoning system and makes adjustments to 3-wire zone dampers to relieve static pressure at the zones, eliminating the need for a bypass.

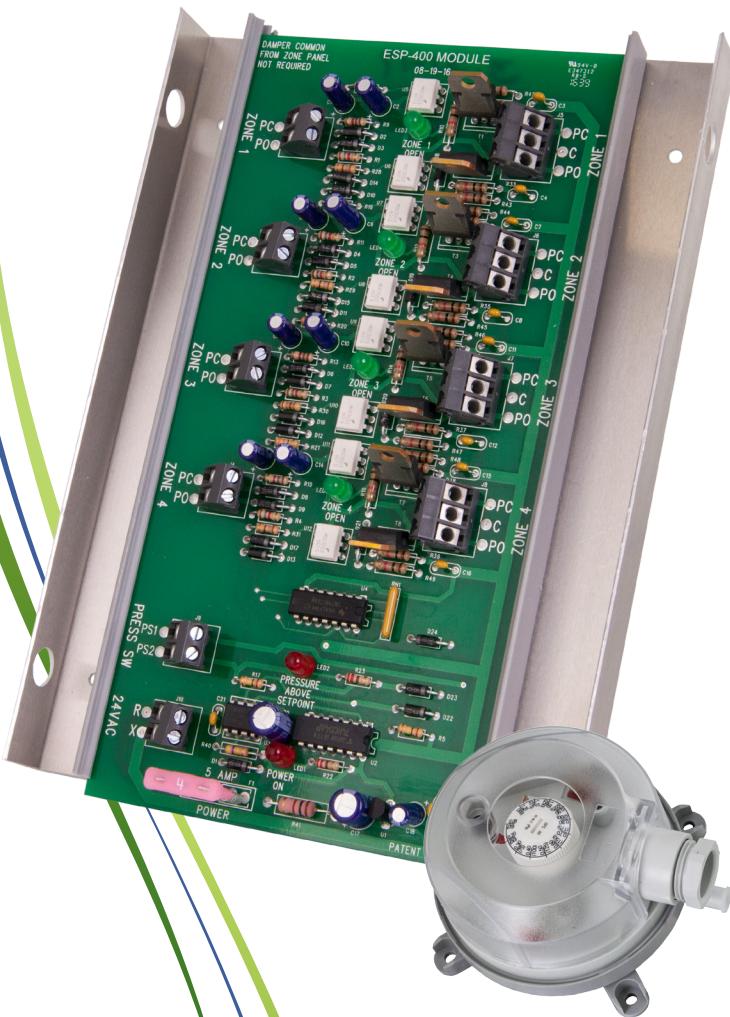
NO BYPASS REQUIRED!

Features and Benefits:

- Easy to install
- Lowers labor cost
- Lowers overall system cost
- Eliminates tight space issues
- Increases system efficiency
- Uses standard 3-wire zone dampers*
- Factory set (Easy to adjust)
- Prevents coil freeze-up
- Eliminates air noise
- Includes static pressure sensor
- Works with most zone panels

Warranty: 10 years

**For ESP functionality, 3-wire MD dampers and static pressure sensor must be used*

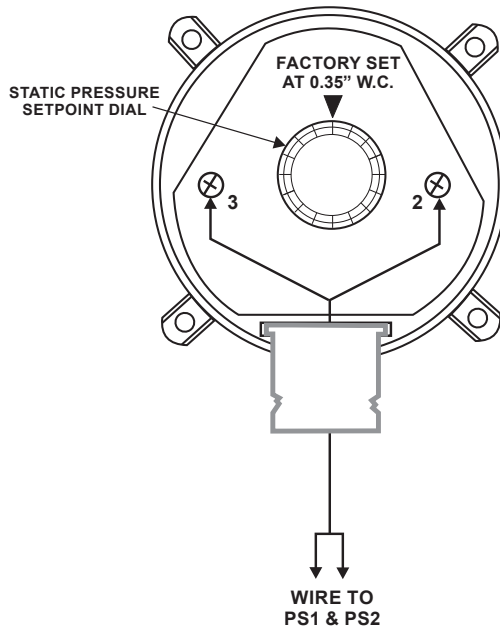
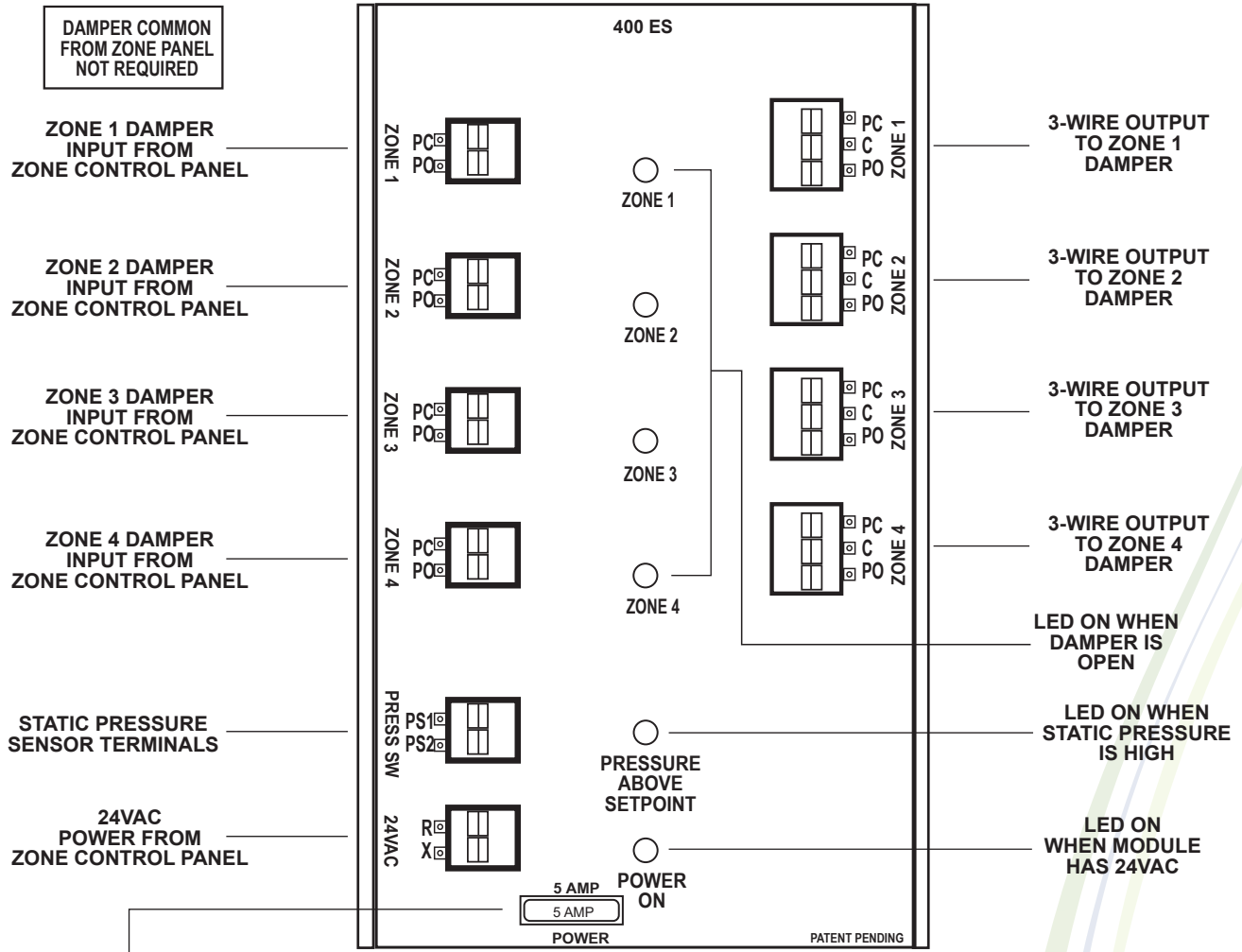


Static pressure sensor included

Specifications:

Construction	Aluminum backplate with mounting holes
Mounting	Snap track with 2 backplate screws
Dimensions	8.00" Height x 6.00" Width x 1.50" Depth
Operating Temperature	-40° F to 150° F

BOARD DIAGRAM



5351 East Thompson Road Suite 142
 Indianapolis, IN 46237
 P: 888.359.0362
 F: 317.489.5204
 info@iOhvaccontrols.com
 www.iOhvaccontrols.com