



9 CU. FT. GLASS DOOR MERCHANDISER

KCGM9F

FREEZER



Dynamic Condenser improves performance in high temperature environments

Automatic Defrost Cooling System provides worry-free performance

7/8 HP Compressor

Painted Steel/Painted Aluminum Exterior & Interior

Electronic Control

External Temperature Display

Removable Door Gasket

Adjustable Shelves Vinyl-Coated Steel

Self-Closing Swing Door



TECHNICAL SPECIFICATIONS

MODEL	KCGM9F
Product Line	Freezer
Door(s)/Type	1 Door Swing
Capacity (Cu. Ft.)	9.0
Condenser Type	Dynamic
Automatic Defrost Cooling System	Yes
Compressor Horsepower	7/8
Exterior Finish	Painted Steel
Interior Finish	Painted Aluminum
Shelves (Number/Type)	2/Vinyl-Coated Steel
Control	Electronic
Temperature Display Location	External
Temperature Range	-7 to 10°F
Voltage Rating	115V/60Hz
Run Amps	5.2
Plug Type	NEMA 5-15P
Shipping Weight (Lbs.)	251
Warranty	3 Year/5 Year



Electronic Digital Temperature Display

Quick set digital display for easy monitoring.



Vinyl Heavy Duty Adjustable Shelves

Shelves that are easy to handle and keep clean.



Removable Door Gasket

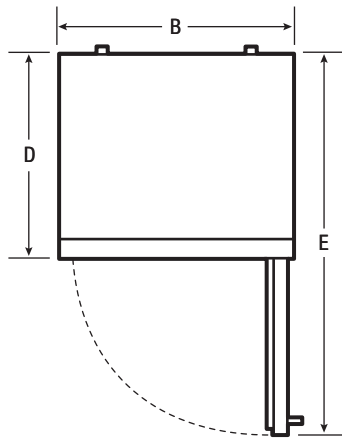
User replaceable door gasket for easy replacement and cleaning.



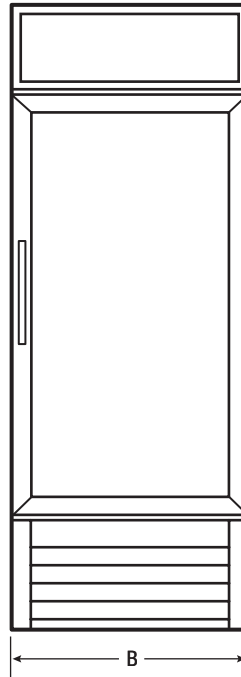
9 CU. FT. GLASS DOOR MERCHANDISER

KCGM9F

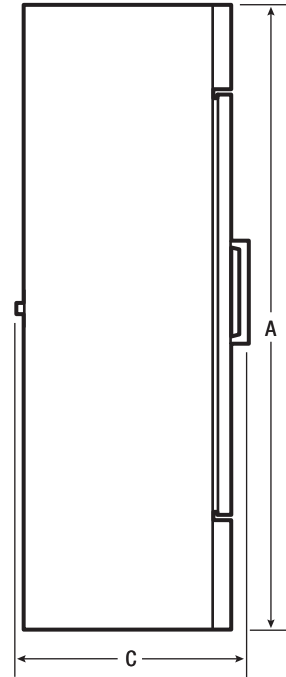
FREEZER



Top View



Front View



Side View



Plug Type (NEMA)
5-15P

EXTERIOR DIMENSIONS

Height A (Including Leveling Legs)	59"
Width B	27"
Overall Depth (Including Door & Handle) C	27-1/4"
Cabinet Depth D	24-1/16"
Depth (with Door 90° Open) E	51"

CERTIFICATIONS AND APPROVALS

Safety Certification	ETL
Sanitation Certification	ETL

ACCESSORIES

Shelf	5304487262
Shelf Clip	297121900



USA • 10200 David Taylor Drive • Charlotte, NC 28262 • 1-866-738-1640 • kelvinator.com • KelvinatorCommercial.USA@electrolux.com
CANADA • 5855 Terry Fox Way • Mississauga, ON L5V 3E4

KCGM9F 09/13

© 2013 Electrolux Home Products, Inc.

Pioneer Sales Co.

High standards of quality at Electrolux Home Products, Inc. mean we are constantly working to improve our products. We reserve the right to change specifications or discontinue models without notice.