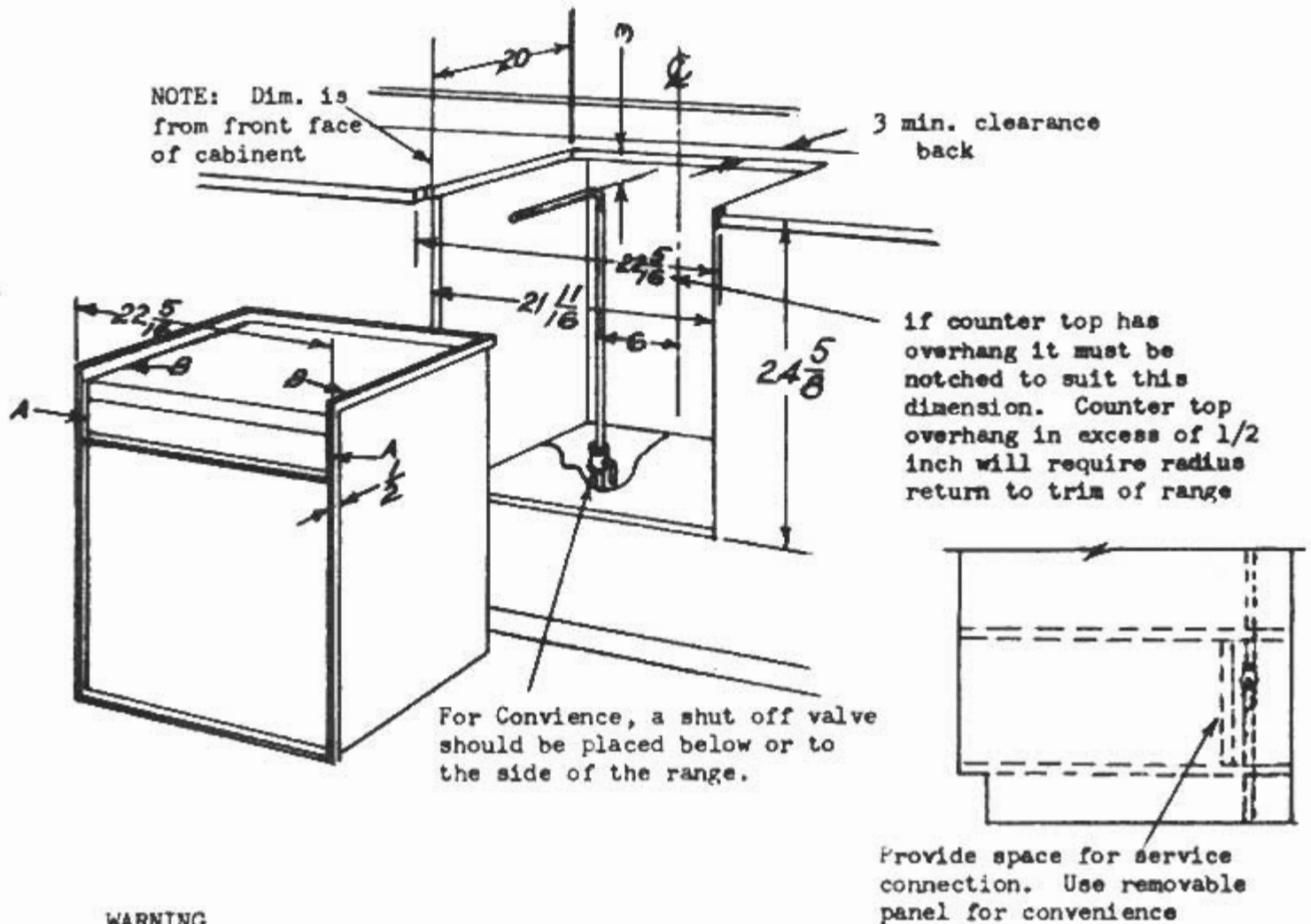


MODEL 880  
INSTALLATION INSTRUCTIONS

1. Cut Opening as shown below. (Range can be suspended from top flange no other support is necessary)
2. Install shut off valve below or to the side of range to make it convenient to service. Shut off valve should be accessible through drawers or doors that are adjacent to range.
3. Place range in opening and fasten in place with screws furnished with range. The two screw holes that are to be used to fasten range in place are located at each end of the manifold panel (see points AA). To put these in it is necessary to remove the manifold panel knobs.

If it is more desirable to insert the fastening screws into top counter, the two screws at points B-B can be removed. Screws and nuts that are removed from points B-B should then be inserted into holes at points A-A.



**WARNING**

Porcelain Enamel is glass which has been fused to metal. It is thoroughly inspected and will give good service if carefully handled, but it is breakable and cannot be guaranteed. Like all glass or porcelain articles, we cannot replace enamel parts that are damaged after delivery to carriers except at customer's expense.

INSTRUCTIONS FOR PROPER ADJUSTMENT  
FOR MODEL 880

TOP SECTION

1. When range is equipped with coaxial orifices, it is shipped from the factory for use on L. P. gas. On natural gas, the orifices are to be opened approximately  $7/8$  of a turn counter clockwise to get the proper rate. The flame will be approximately  $5/8$  inch long on natural gas and  $1/2$  inch long on L. P.
2. Air shutters on top burners are to be adjusted so that each cone of the flame is separate and distinct and appears as illustrated in Fig. A. Air shutters set too far open will cause flame to lift away from burner head and will be difficult to light. If air shutters are closed too much the flame will look hazy and the distinct cones will be missing.
3. Top Pilot: Adjust top pilot so that the tip of the flame is just over the edge of the inner cone and the lighting of top burners is within 4 seconds. See No. 2 above if lighting is difficult.

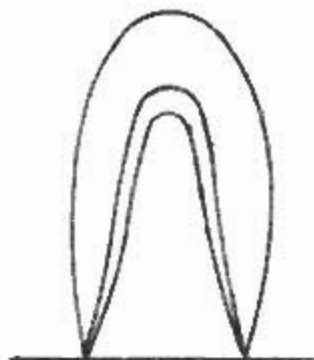


Fig. A.

OVEN SECTION

1. To adjust pilot: For adjustment of automatic pilot see separate lighting instructions furnished by manufacturer of pilot.
2. To adjust main burner: When oven is equipped with a coaxial orifice it is sent from the factory for use on L. P. gas. On natural gas the orifice is to be opened approximately  $7/8$  of a turn counter clockwise to get the proper rate. The main burner when adjusted to the proper rate will have a flame approximately  $1/2$  inch long on natural gas and  $3/8$  inch long on L. P. The air shutter on the main burners is to be adjusted so that each cone of the flame is separate and distinct. See Fig. A.

**IMPORTANT:** The thermostat on this range does not have a by-pass setting. It will cycle off and on at all temperature settings. No by-pass adjustment is necessary.