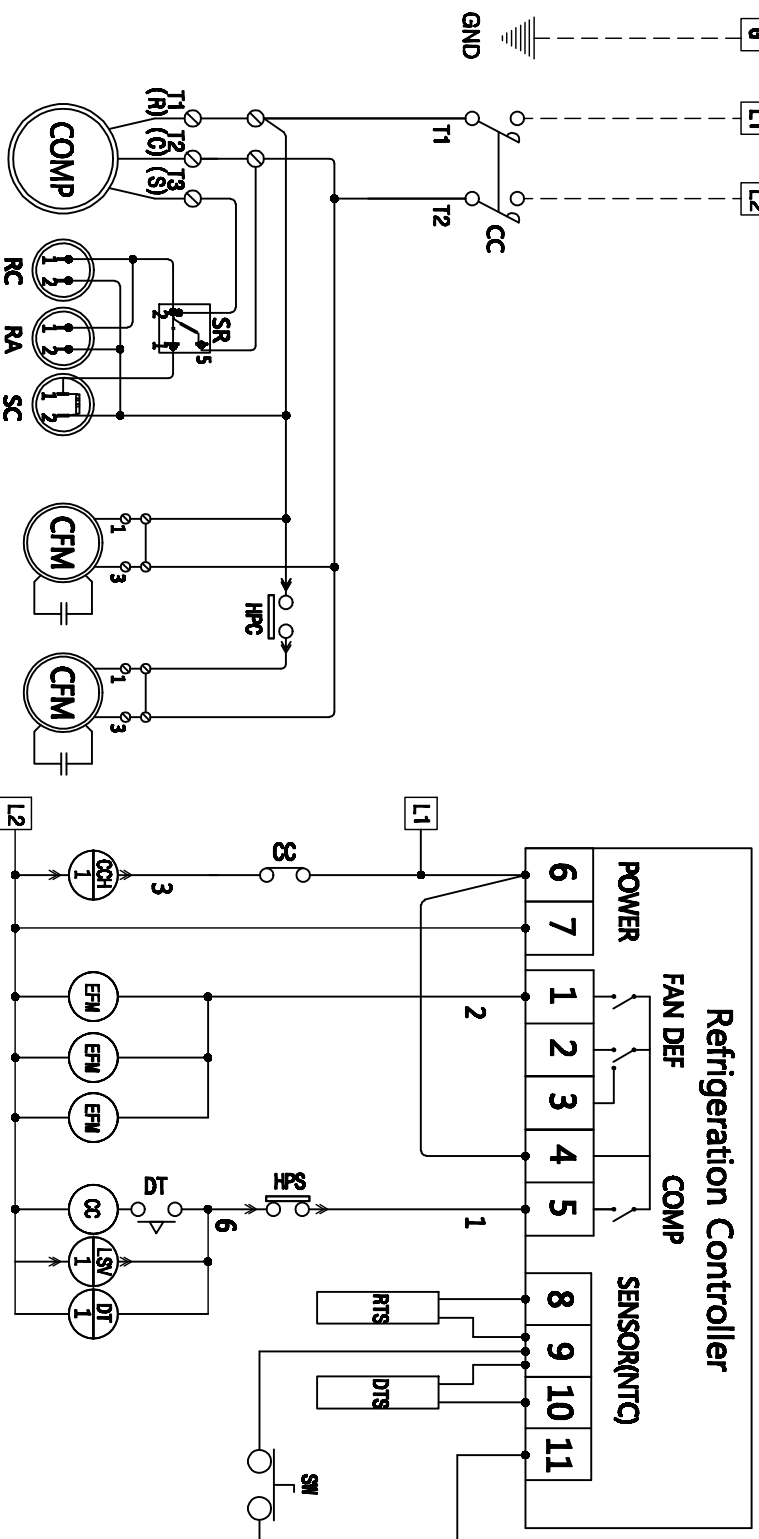


# Electrical Wiring Diagram

Model : IQT103MRB

Factory Wiring ————— Field Wiring - - - - -

1ph 220V 60Hz



## LEGEND

CC (C1)	COMPRESSOR CONTACTOR	CCH	CRANKCASE HEATER	DTS	DEFROST TEMPERATURE SENSOR
CFM	CONDENSER FAN MOTOR	RTS	ROOM THERMOSTAT SENSOR	SW	ON/OFF SWITCH
EFM	EVAPORATOR FAN MOTOR	DT	DELAY TIMER	GND	GROUND
HPS	HIGH PRESSURE SWITCH	SR	START RELAY		
HPC	HIGH PRESSURE CONTACTOR	RC,RA	RUN CAPACITOR		
LSV	LIQUID SOLENOID VALVE	SC	START CAPACITOR		