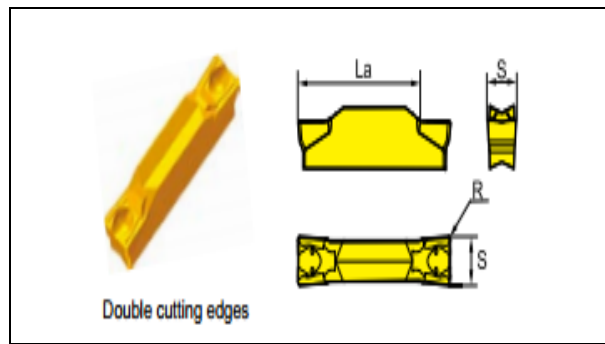




Turning

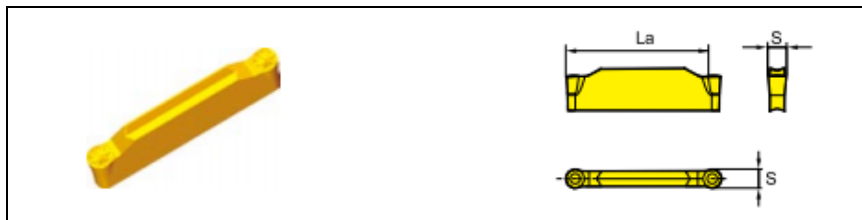
Grooving, Turning Inserts



Type	Dimensions(inch)			Grade			
	$S^{+0.004}$	$R_{\pm 0.002}$	La_{MAX}	P	M	K	Price/ea
				C700 ⁺	C700 ⁺	C700 ⁺	
CTFD 03	0.118	0.012	0.670	•	•	•	\$16.95
CTGD 04	0.157	0.016	0.866	•	•	•	\$17.95
CTHD 05	0.197	0.016	0.866	•	•	•	\$18.95

•STOCK

Precision grooving and turning RADIUS inserts



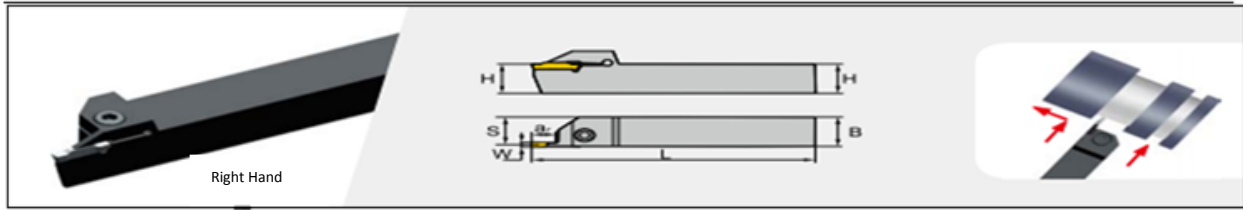
Type	Dimensions(inch)			Grade			
	$S^{+0.004}$	$R_{\pm 0.002}$	La_{MAX}	P	M	K	Price/ea
				C700 ⁺	C700 ⁺	C700 ⁺	
CRFD 03	0.118	0.059	0.787	•	•	•	\$16.95
CRGD 04	0.157	0.079	0.984	•	•	•	\$17.95
CRHD 05	0.197	0.098	0.984	•	•	•	\$18.95

•STOCK

C700⁺= Black coated grade suitable for light roughing to finishing most steels and stainless steels.



External parting, grooving and turning toolholders



Type	Dimensions(inch)					Inserts	Screw	Price/ea (screw) TOOLHOLDER
	HXB	L	S	W	a _{max}			
QEFD16-03DR	1.000x1.000	6.0	0.937	0.118	0.669	CTFD 03 CRFD 03	M6x20	(\$4.95) \$110.00
QEGD16-04DR	1.000x1.000	6.0	0.925	0.157	0.866	CTGD 04 CRGD 04	M6x20	(\$4.95) \$110.00
QEHD16-05DR	1.000x1.000	6.0	0.906	0.197	0.866	CTHD 05 CRHD 05	M6x20	(\$4.95) \$110.00

STARTER KITS AVAILABLE

\$168.00

5pcs any combo 3mm Insert

+

1pc 1" QEFD Holder

\$173.00

5pcs any combo 4mm Insert

+

1pc 1" QEGD Holder

\$179.00

5pcs any combo 5mm Insert

+

1pc 1" QEHD Holder