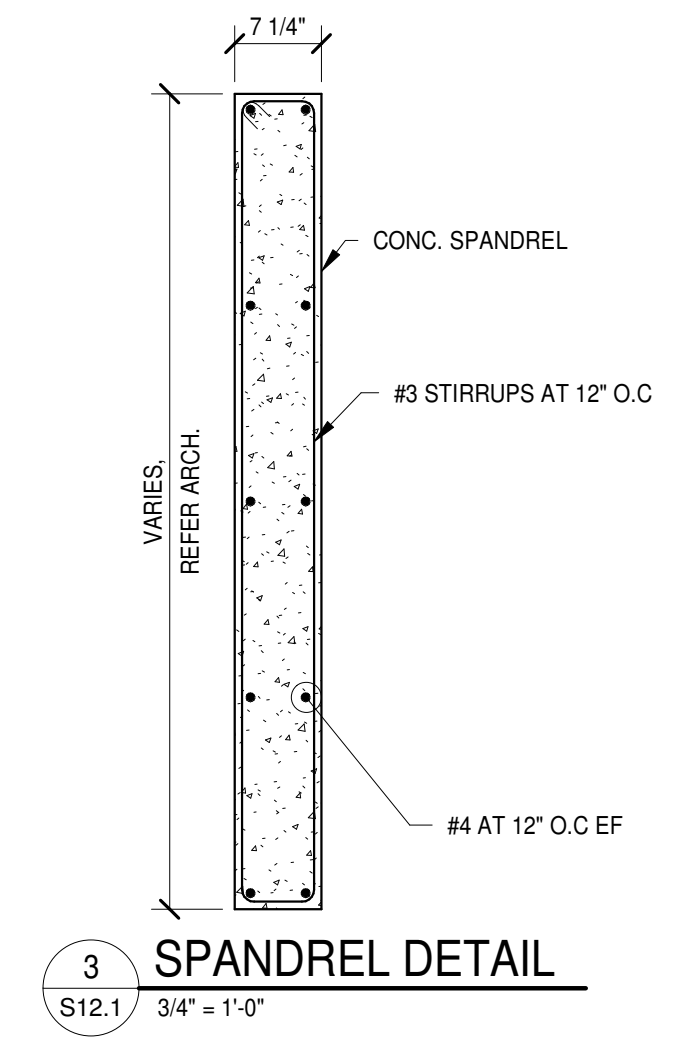
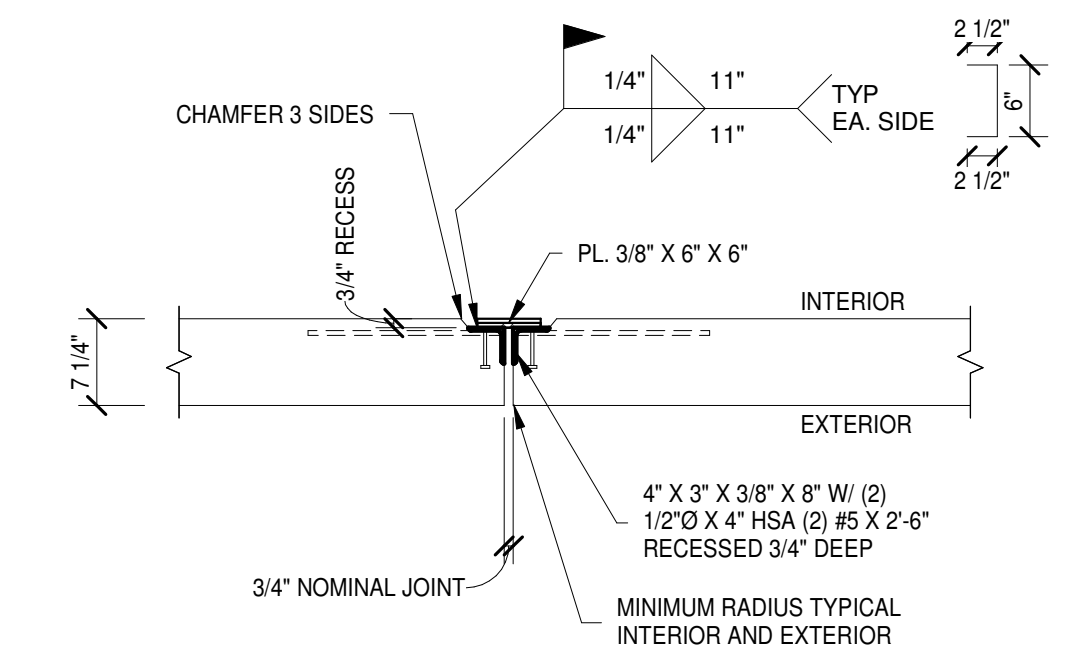


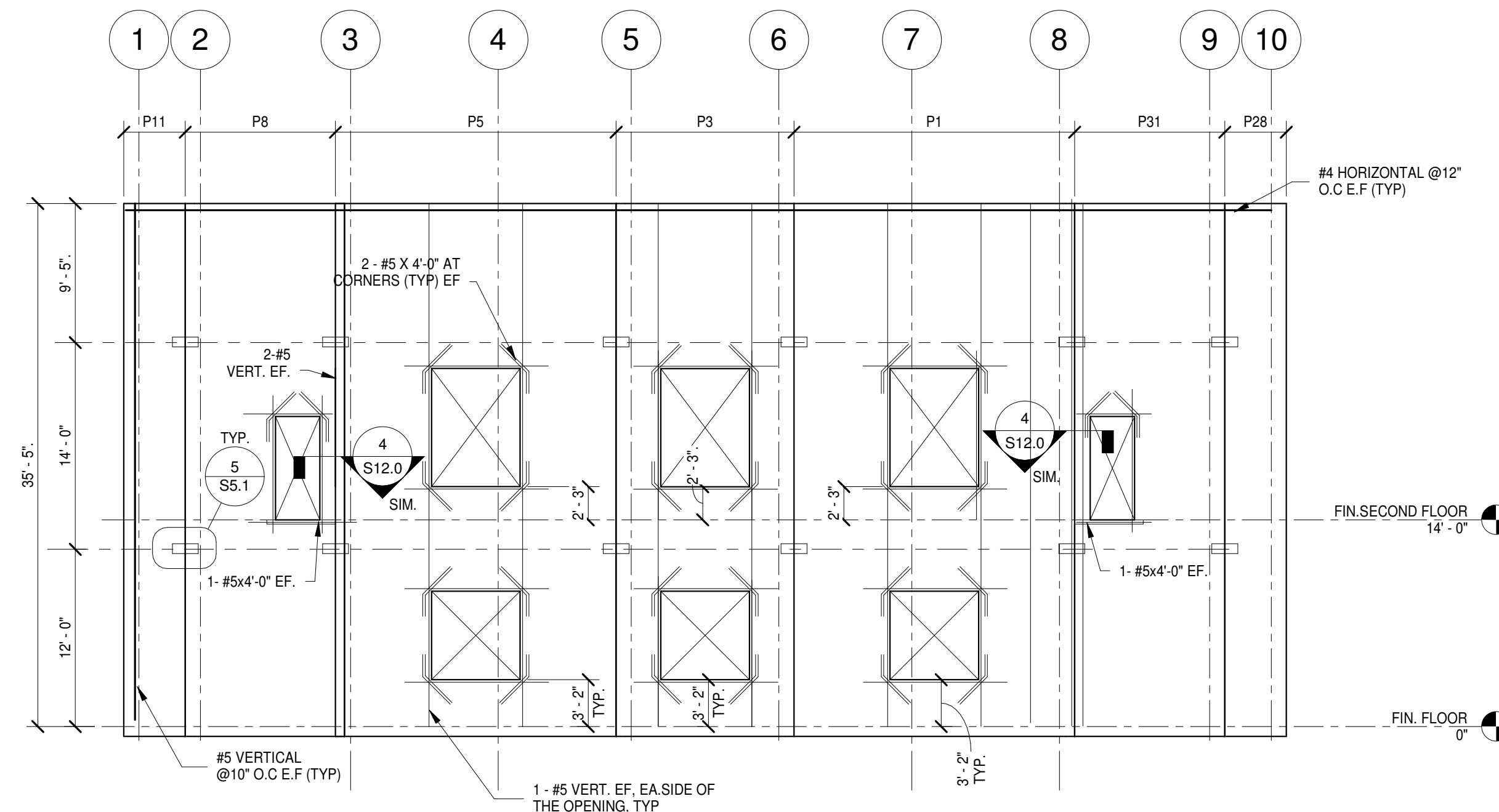
1 EAST ELEVATION FOR TILT-UP PANELS
 S12.1 1/8" = 1'-0"



3 SPANDREL DETAIL
 S12.1 3/4" = 1'-0"



4 DETAIL
 S12.1 3/4" = 1'-0"



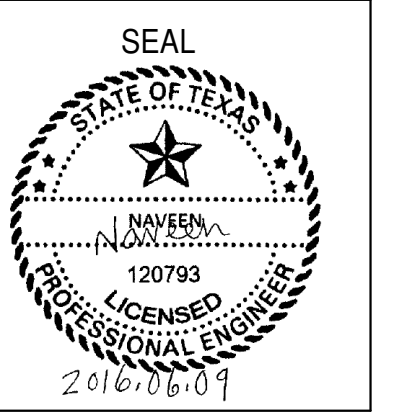
2 WEST ELEVATION FOR TILT-UP PANELS
 S12.1 1/8" = 1'-0"



PROJECT
RADHA KRISHNA TEMPLE
 Owner
 ALLEN TEXAS

JOB NUMBER
 16DLS003
 ISSUE DATE
 04-22-2016
 DRAWN BY
 SDB
 DESIGNED BY
 NAV

REVISIONS



SHEET NUMBER
S12.1

TILT-UP PANEL ELEVATIONS