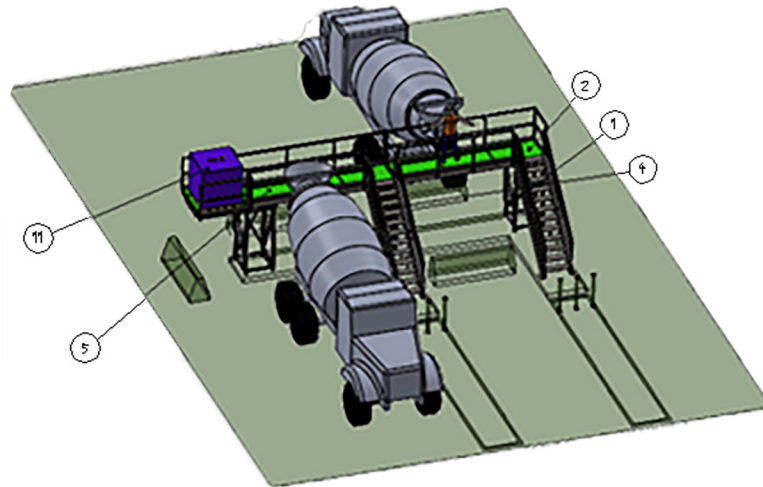


# Chiparoc Modular Slump/Inspection Stand



**Modular Truck Slump/Inspection Stand**  
For improved personnel safety and productivity.

1. Heavy duty galvanized steel support structure and walkways.
2. OSHA type stairways for each truck lane.
3. 3Ft. wide serrated bar-grating for each truck lane.
4. Simple and quick installation with large welded sections.
5. Modular construction allows for easy expansion from one lane to multiple lanes.
6. Optional pallet deck for fiber / ice



Item no.	Part Number	Description	QTY.
1	Tower	Main Tower Assembly	2
2	Deck Section #1	Section #1 Deck and Handrail Assembly	1
3	Stairway	Stairway Assembly	2
4	Stand-Mid	Middle Stand Assembly	1
5	Deck Section #3	Optional Pallet Deck Assembly	1
11	Fiber Pallet	Example of Customers Product Pallet	1

**Custom built systems also available on request**



Chiparoc LLC  
Phone : 325-203-1565  
Web Address: [www.Chiparoc.com](http://www.Chiparoc.com)  
Email: [ChiparocLLC@gmail.com](mailto:ChiparocLLC@gmail.com)