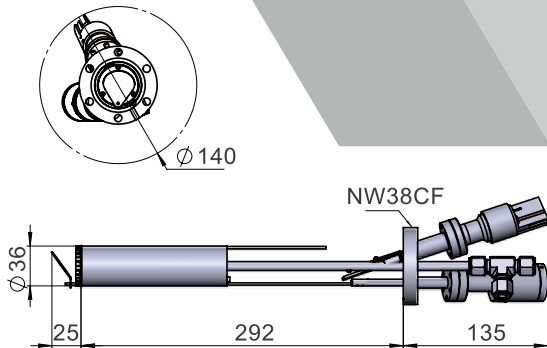


Near Ambient Evaporator



Part Number OEC38



For many critical applications where stable but low temperature vaporization is required (for example organic material), Fermion Instruments offers Near Ambient Evaporator.

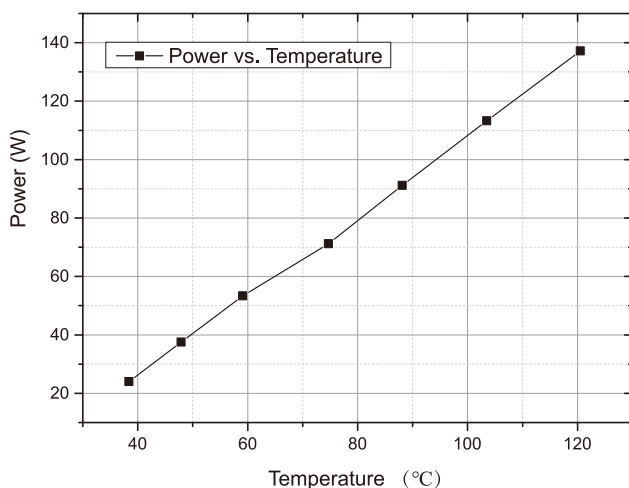
One annealed copper block is acting as thermo conductor as well as heat sink thus balanced cooling and heating is achieved between -50°C and 300°C . Cooling during bakeout and standby is also possible to freeze the change which reduces consumption and also keep the system in UHV condition.

Together with the Heat Pro-II Power supply, temperature stability up to 0.05°C has been realized which guarantees very accurate beam flux control. The logic control utilized by Eurotherm PID controller ensures that the adjusted temperature level does not exceed the set point which is essential for some sensitive materials.

Specification

- ✔ Working Temperature: -50°C ~ 300°C
- ✔ Sensor: K Type Thermocouple
- ✔ Temperature Stability: $\pm 0.05^{\circ}\text{C}$
- ✔ Max Degas Temperature: 350°C
- ✔ Water Cooling: Integrated Water Cooling
- ✔ Crucible Capacity: 20 cc
- ✔ Shutters: Manual/ Pneumatic on Optional

Power Test



Temperature Stability

