

C-005

Snap-on Coping System

Snap-Right® Roof Edge Products

JOB NAME

LOCATION

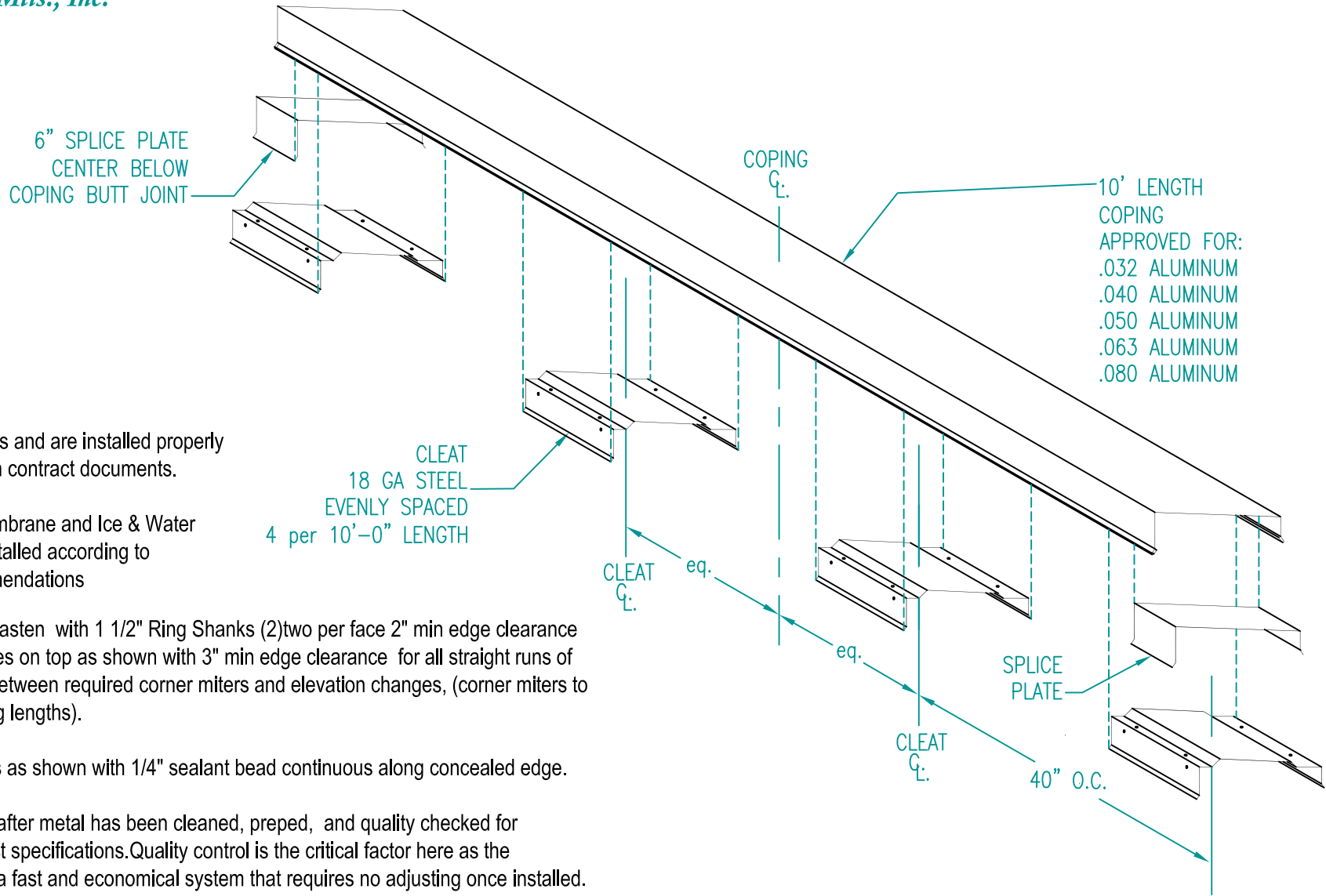
CUSTOMER

CONTACT INFORMATION
 ADDRESS
 PHONE / FAX
 E-MAIL

LINEAR FEET
 QUANTITY:

ORDER DATE:

REQUIRED DELIVERY DATE:



A. Insure all substrates and are installed properly and in accordance with contract documents.

B. Insure Roofing Membrane and Ice & Water Shield are properly installed according to manufacturers recommendations

C. Install cleats, face fasten with 1 1/2" Ring Shanks (2)two per face 2" min edge clearance and (4)four Wood Mates on top as shown with 3" min edge clearance for all straight runs of material. Center run between required corner miters and elevation changes, (corner miters to have 2'-0" minimum leg lengths).

D. Install Splice Plates as shown with 1/4" sealant bead continuous along concealed edge.

E. Install Coping only after metal has been cleaned, preped, and quality checked for compliance with project specifications. Quality control is the critical factor here as the Snap-Right System is a fast and economical system that requires no adjusting once installed.

C-003 *Snap-on Coping System Installation Specifications*

Division 7 Mtls' Snap-Right[®] Roof Edge Products

ANSI/SPRI ES-1 Certified