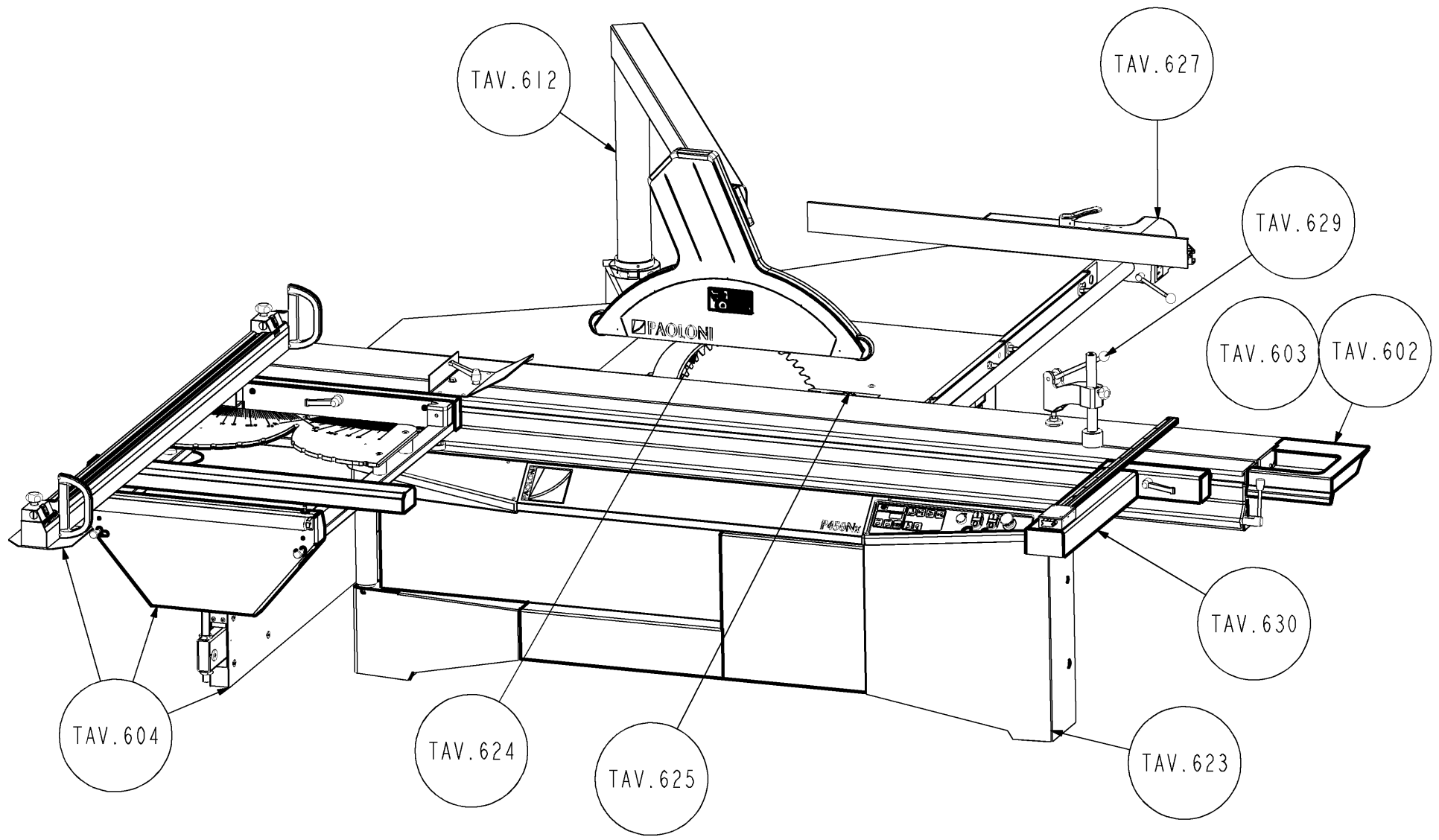
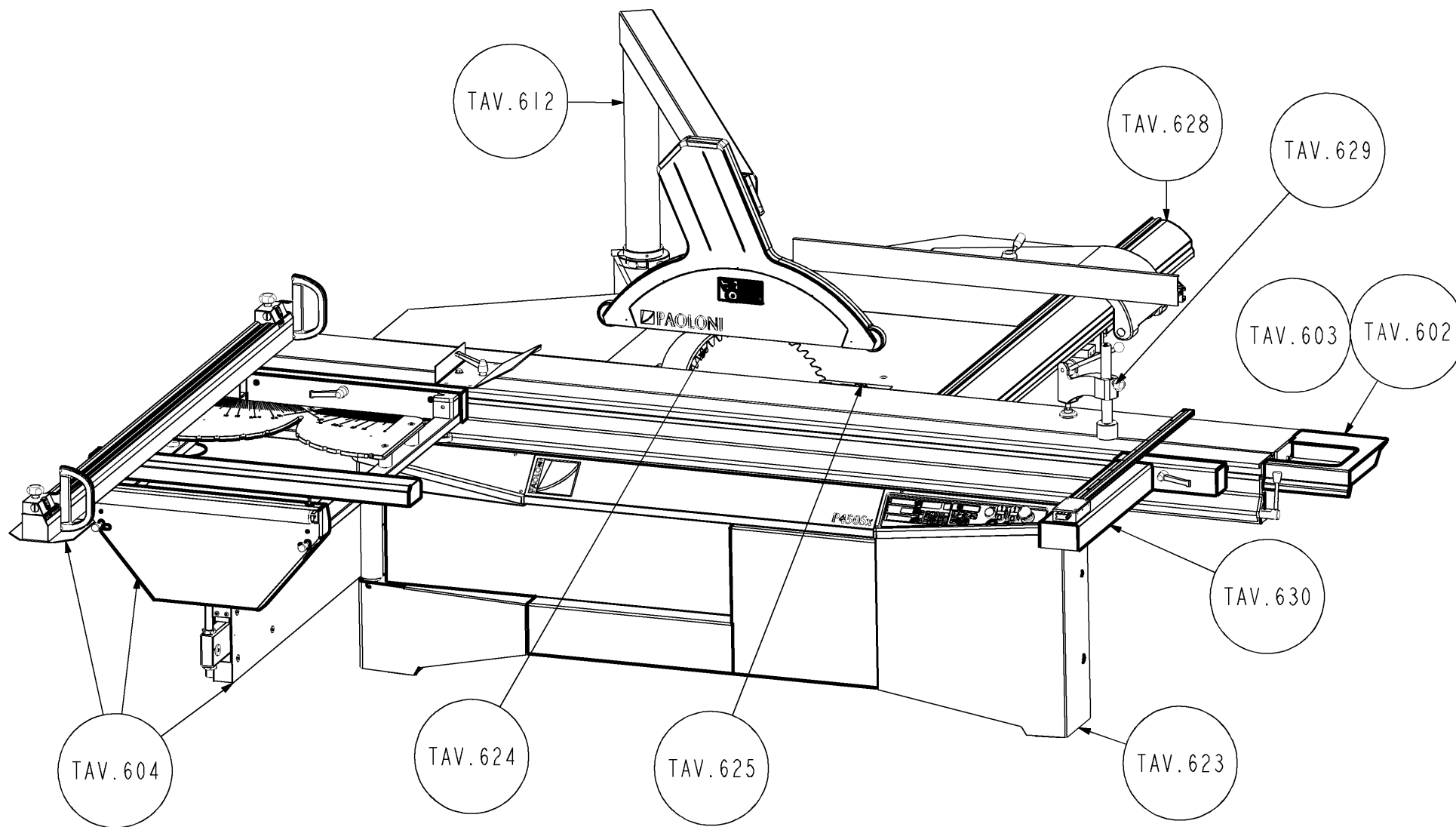


CATALOGORICAMBI  
SPARE PARTS LIST  
CATALOGUE DES PICES  
DETACHEES  
ERSATZTEILKATALOG  
CATALOGO RECAMBIOS

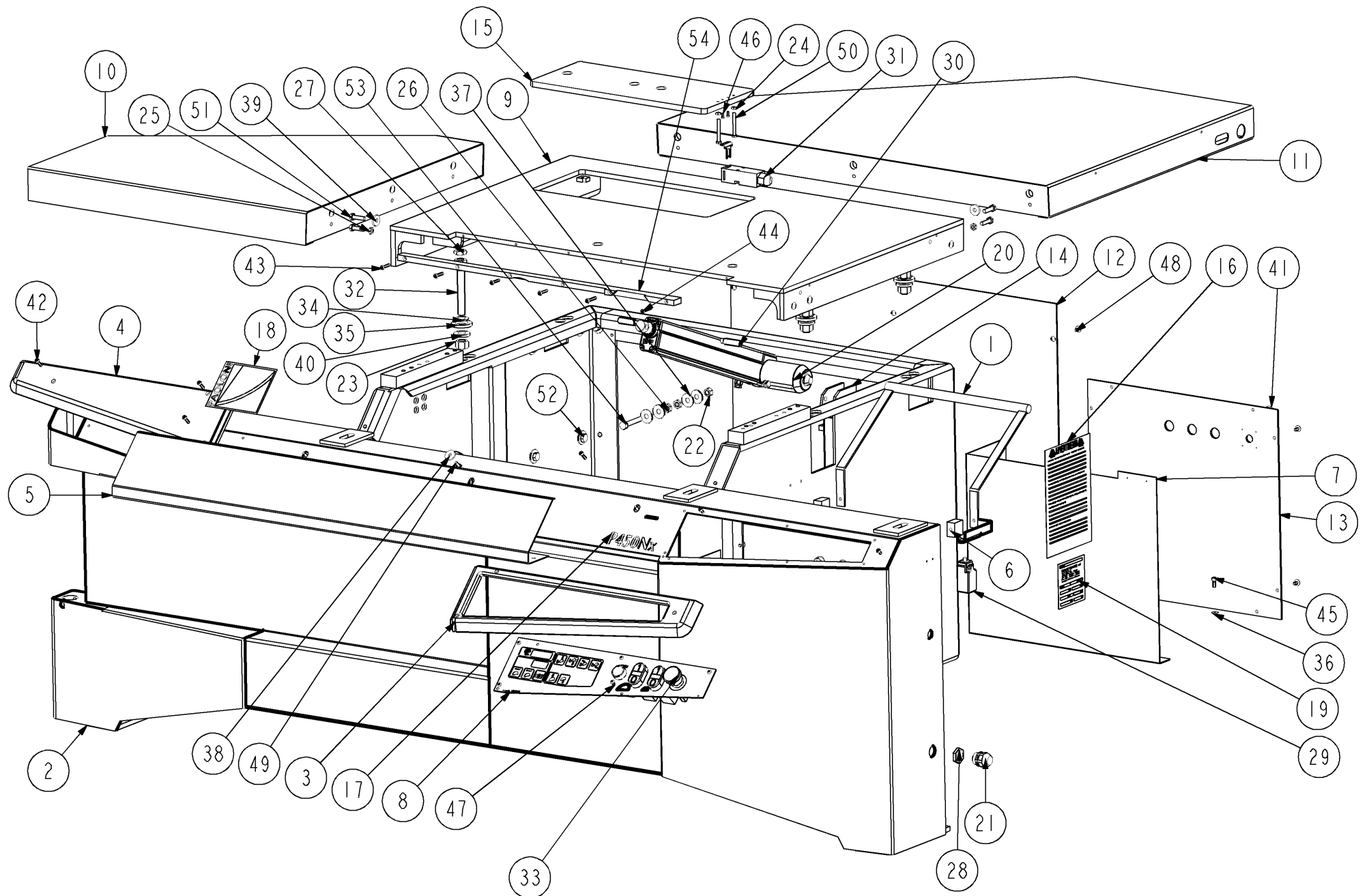
**P 450 Nx Sx Ax**  
**Validità da 02-2010**



P450NX	12/2008	TAV.620
--------	---------	---------



P450SX-AX	12/2008	TAV.621
-----------	---------	---------

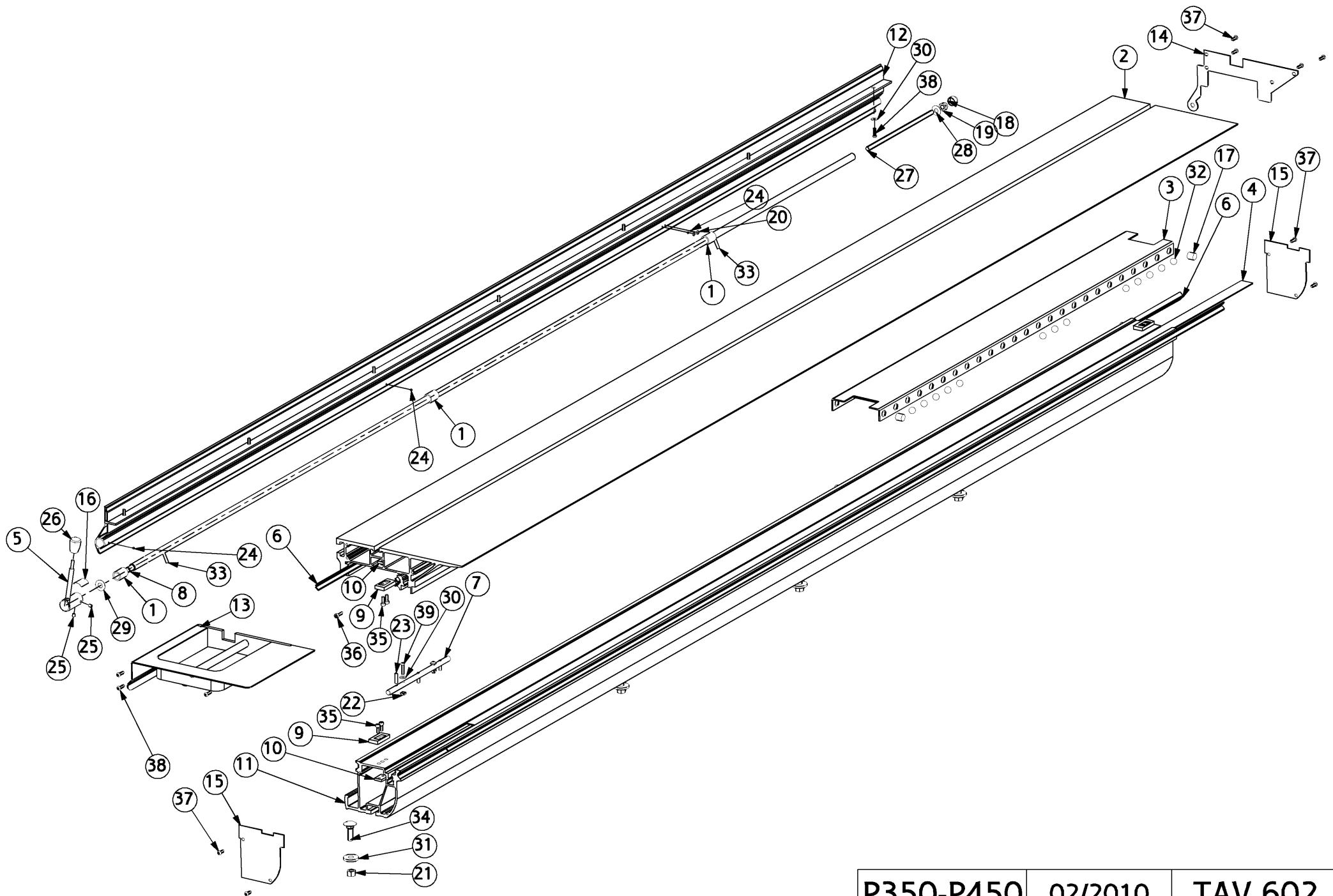


RIF.	CODICE			QUANTITA' QUANTITY MENGTE CANTIDAD
1	6052126			1
2	6052845			1
3	6097615			1
4	6097618			1
5	6097619			1
6	6169495			2
7	6396350			2
8	6595303	TAB. N°1		1
9	6615233			1
10	6633064	TAB. N°2		1
11	6633069			1
12	6772072			1
13	6772099			1
14	6786060			3
15	6806136			1
16	6807450			1
17	6807803			1
18	6807827			1
19	7807075			1
20	8047010			1
21	8078800			1
22	8153037			5
23	8153040			12
24	8154000			2
25	8154002			4
26	8154003			4
27	8154006			4
28	8154145			1
29	8254002			1
30	8280583			2
31	8472013			1
32	8483181			4
33	8644218			1
34	8714005			4
35	8714045			4
36	8715002			10
37	8715053			15
38	8715200			3
39	8715402			6
40	8715803			4
41	8801111			3
42	8883041			6
43	8883043			4

RIF.	CODICE			QUANTITA' QUANTITY MENGTE CANTIDAD
44	8883044			2
45	8883062			9
46	8883518			2
47	8883533			5
48	8883616			6
49	8885054			3
50	8885064			2
51	8885081			10
52	8885103			4
53	8885109			2
54	6643050			1
55	<INS.CODICE>			21

TAB. N°1			
RIF.4	P450NX	P450SX	P450AX
4	6595303	6595306	6595302

TAB. N°2			
RIF.10	AP.1300	AP.1100	AP.1500
P450NX	6633064	6633070	6633071
P450SX	6633067	6633084	6633085
P450AX	6633067	6633084	6633085

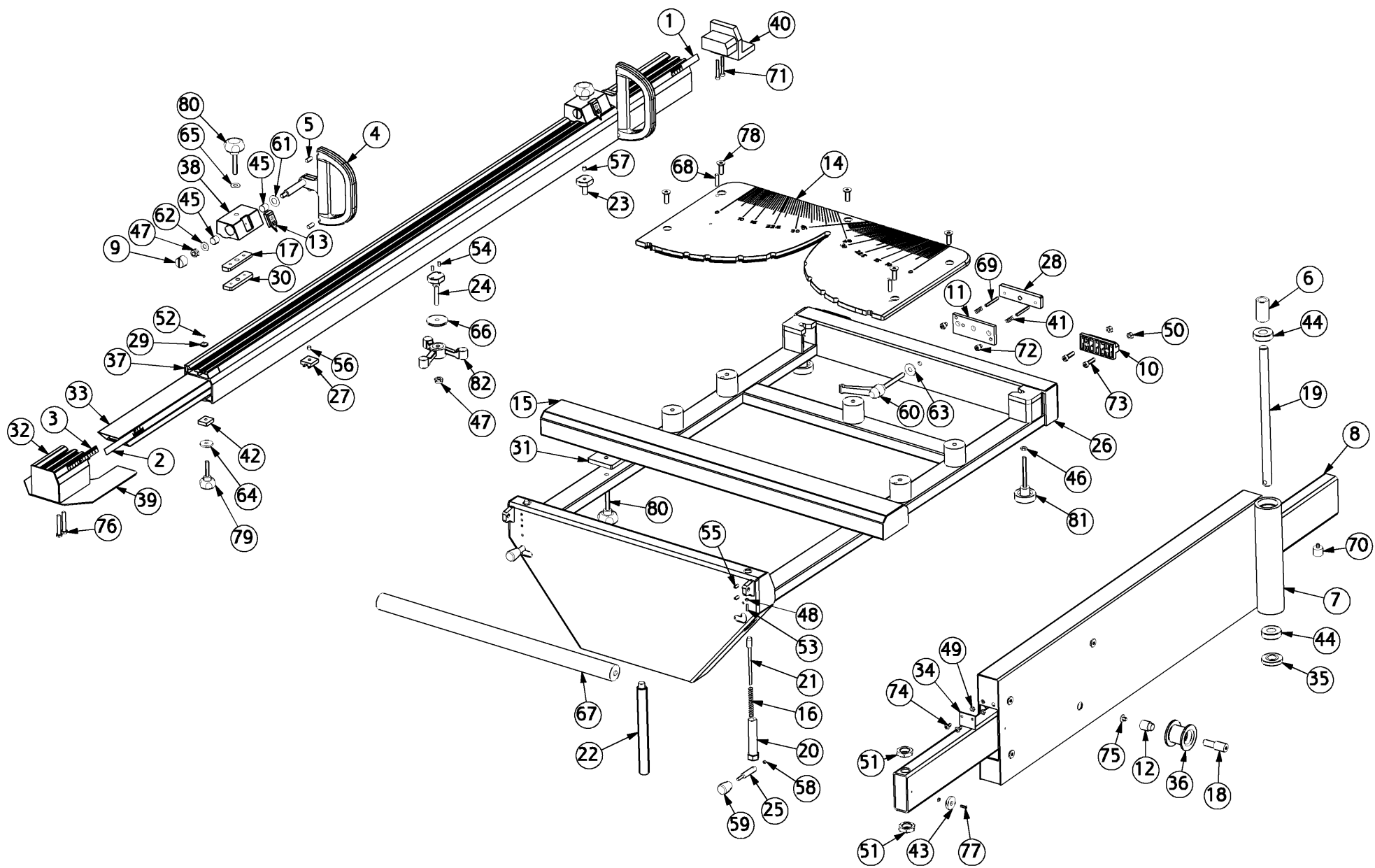


RIF.	CODICE			QUANTITA' QUANTITY QUANTITE MENGE CANTIDAD
	L-3200	L-3800	02/2010	
1	6070734			3
2	6096059	6096066		1
3	6270017	6270018		1
4	6396168	6396187		1
5	6409109			1
6	6520022	6520024		8
7	6608387			11
8	6608558			1
9	6617155			4
10	6617211			4
11	6771064	6771065		1
12	6786012	6786068		1
13	6806169			1
14	6806170			1
15	6806171			2
16	6807828			1
17	7239001			4
18	8094508			1
19	8153006			1
20	8153032			2
21	8153038			4
22	8154170			22
23	8280122			33
24	8280680			4
25	8280943			2
26	8360160			1
27	8483185			1
28	8681995		SKF AS 1024	1
29	8681996		SKF AS 1226	1
30	8715002			29
31	8715602			4
32	8753115			26
33	8762886			2
34	8882011			4
35	8883062			8
36	8883064			1
37	8883551			8
38	8883553			10
39	8883555			22

P350-P450

02/2010

TAV.602





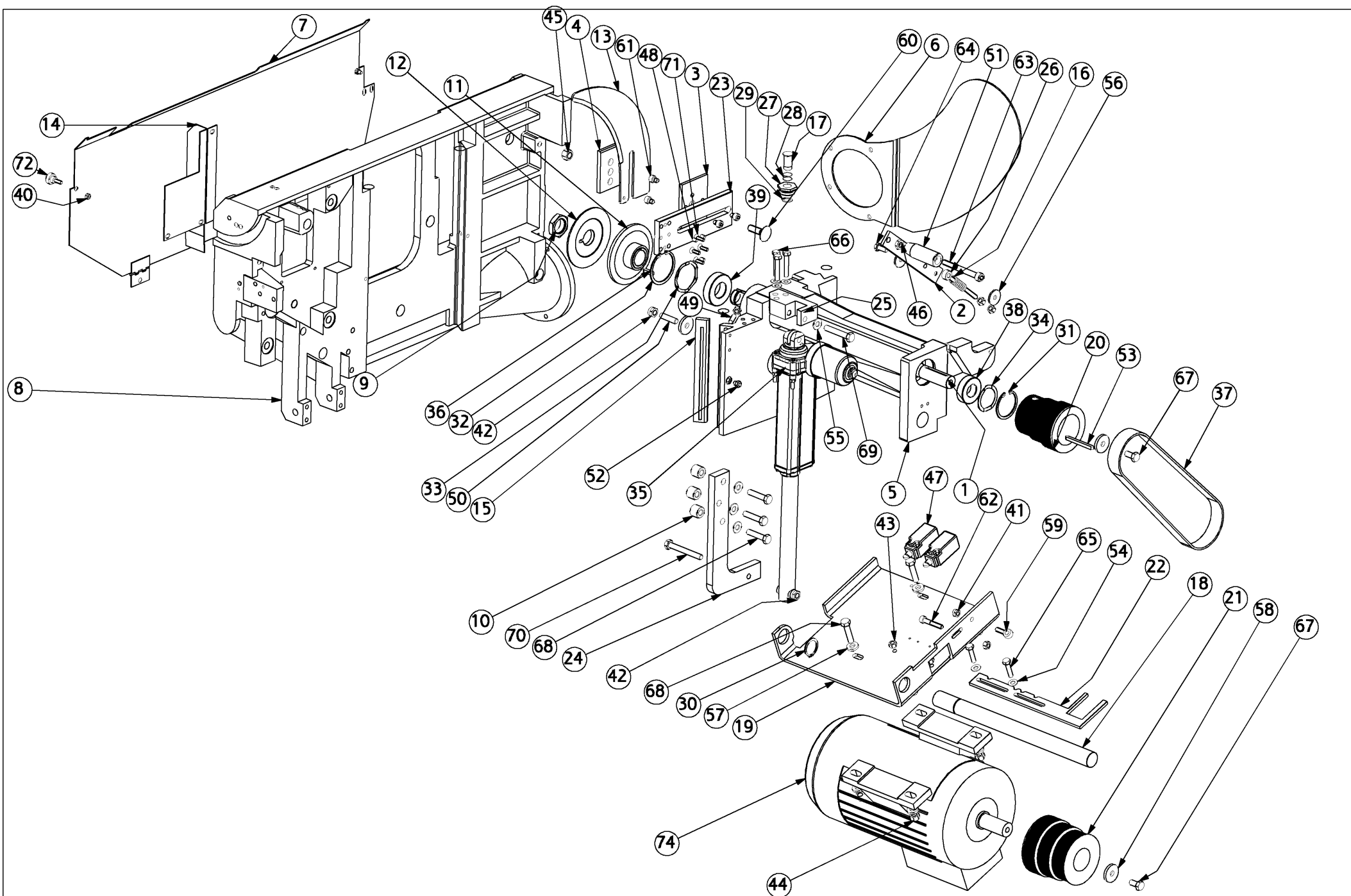
RIF.	CODICE			QUANTITA'
				QUANTITY QUANTITE MENGE CANTIDAD
1	6040204			1
2	6040205			1
3	6040209			1
4	6053080			2
5	6053082			4
6	6070759			1
7	6075125			1
8	6075131			1
9	6152043			2
10	6169087			2
11	6169137			1
12	6169155			4
13	6390142			2
14	6397025			1
15	6397026			1
16	6481124			2
17	6599009			2
18	6608144			4
19	6608738			1
20	6609214			2
21	6609215			2
22	6609216			1
23	6609217			1
24	6609218			1
25	6609220			2
26	6615029			1
27	6617153			1
28	6617247			1
29	6617984			1
30	6618017			2
31	6618018			1
32	6633093			1
33	6633094			1
34	6689102			2
35	6725386			1
36	6735021			4
37	6773056			1
38	6786033			2
39	6806175			1
40	7402019			1
41	7481028			2
42	7617133			1
43	8120002			1

RIF.	CODICE			QUANTITA'
				QUANTITY QUANTITE MENGE CANTIDAD
44	8130269		SKF 6204 2RS	2
45	8131839		GLY PG 151715-F	4
46	8152855			2
47	8153006			3
48	8153032			3
49	8153034			4
50	8153036			4
51	8154010			2
52	8280083			1
53	8280090			2
54	8280116			2
55	8280117			4
56	8280133			1
57	8280134			1
58	8280942			2
59	8360160			2
60	8411011			1
61	8681997		SKF AS 1528	2
62	8715004			2
63	8715053			1
64	8715404			1
65	8715500			2
66	8715505			1
67	8719918			1
68	8762925			2
69	8775011			2
70	8801002			1
71	8883070			2
72	8883082			2
73	8883089			4
74	8883618			4
75	8883627			4
76	8885085			2
77	8887109			1
78	8887151			5
79	8892046			1
80	8892088			3
81	8895527			2
82	8897005			1

P350-P450

-

TAV.604



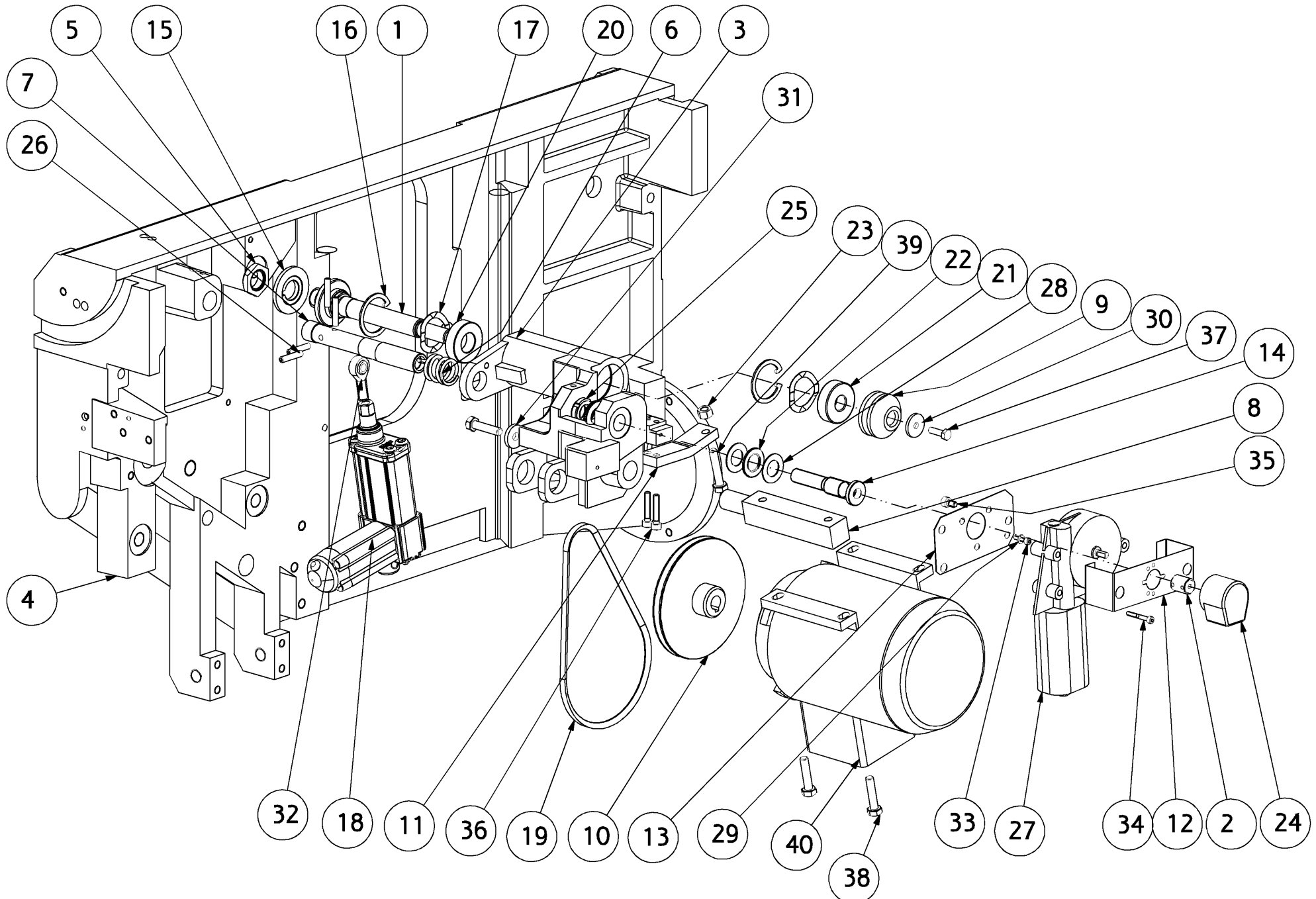
RIF.	CODICE			QUANTITA' QUANTITY QUANTITE MENGE CANTIDAD
	50 Hz	60 Hz		
1	6020266	TAB.2		1
2	6065078			1
3	6069012			1
4	6069013			1
5	6075130			1
6	6095671			1
7	6097625			1
8	6129030			1
9	6152038	TAB.2		1
10	6169228			3
11	6255153			1
12	6255154			1
13	6395023			1
14	6396372			1
15	6398099			1
16	6481107			1
17	6608464			1
18	6609136			1
19	6617671			1
20	6642191	6642201		1
21	6642192			1
22	6779089			1
23	6785736			1
24	6785764			1
25	6785765			1
26	6819029			1
27	7040501			1
28	7481024			1
29	8023142			1
30	8023157			1
31	8030046			1
32	8030053			1
33	8030180			1
34	8030206			1
35	8047012			1
36	8101145			1
37	8102641	8102640		1
38	8130223		NSK 6205 2RS	1
39	8130224		NSK 6206 2RS	1
40	8153003			2
41	8153005			1
42	8153006			2
43	8153036			10

RIF.	CODICE			QUANTITA' QUANTITY QUANTITE MENGE CANTIDAD
	50 Hz	60 Hz		
44	8153037			4
45	8153038			1
46	8154003			1
47	8254003			2
48	8280115			4
49	8280143			3
50	8280167			1
51	8360004			1
52	8360315			2
53	8420011			1
54	8715003			5
55	8715004			4
56	8715403			2
57	8715501			8
58	8715503			3
59	8803603			1
60	8882011			1
61	8883082			4
62	8883092			1
63	8883139			1
64	8885078			1
65	8885082			2
66	8885084			3
67	8885100			2
68	8885106			7
69	8885109			1
70	8886113			1
71	8887129			4
72	8892011			2
73	<INS.CODICE>			2
74	TAB.1			1

TAB.1	MOTOR TYPE	
CODE		
8477020	HP 10 2P B3 112 V230/400 50 HZ T	
8477022	HP 10 2P B3 112 V400/700 50 HZ T	
8477025	HP 12 2P B3 112 UL V 220/440 60 HZ T	
8477033	HP 10 2P B3 112 F220 V230/400 50 HZ T	
8477035	HP 10 2P B3 112 F220 V400/700 50 HZ T	
8477237	HP 12 2P B3 112 UL F220 V220/440 60 HZ T	
8477239	HP 12 2P B3 112 F220 CSA V575/990/60 HZ T	
8477245	HP 7.5 2P B3 112 V230/400 50 HZ T	
8477247	HP 7.5 2P B3 112 V400/700 50 HZ T	
8477250	HP 9 2P B3 112 UL V220/440 60 HZ T	
8477259	HP 7.5 2P B3 112 F220 V230/400 50 HZ T	
8477261	HP 7.5 2P B3 112 F220 V400/700 50 HZ T	
8477264	HP 9 2P B3 112 UL F220 V220/440 60 HZ T	
8477266	HP 9 2P B3 112 CSA F220 V575/990 60 HZ T	

TAB.2	codice			
∅ 30mm	6020266	6255153	6255154	7152003
∅ 1"	6020267	6255158	6255159	6152022

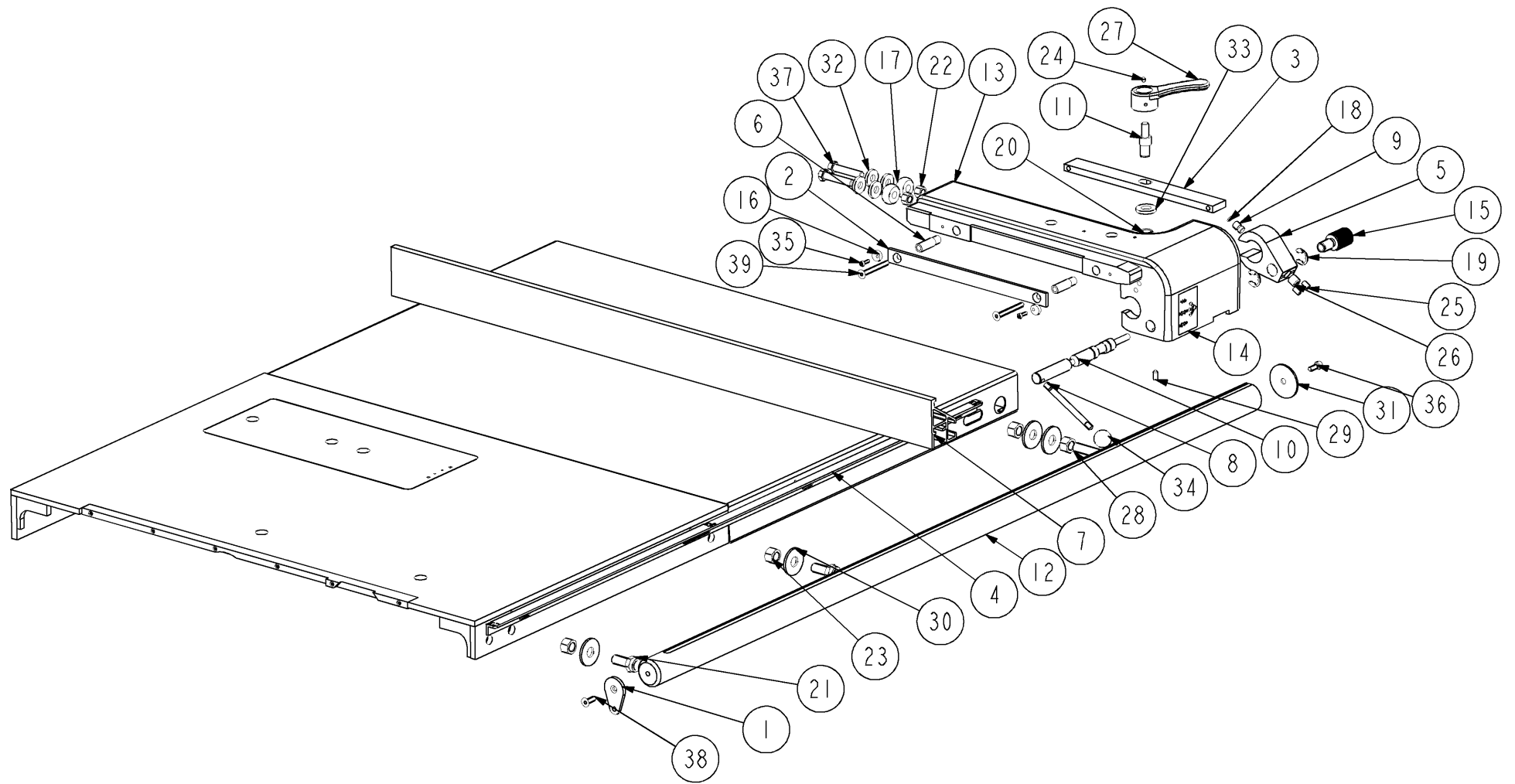
RIF.35	codice			
P450NX	8047004			
P450SX	8047012			
P450AX	8047012			



RIF.	CODICE			QUANTITA' QUANTITY QUANTITE MENGE CANDIDAD
	50 Hz	60 Hz		
1	6020018	TAB.2		1
2	6070663			1
3	6075097			1
4	6129030			1
5	6152021	TAB.2		1
6	6481126			1
7	6608701			1
8	6609125			1
9	6642142	6642156		1
10	6642143			1
11	6779076			1
12	6785225			1
13	6785750			1
14	6881150			1
15	7255007	TAB.2		1
16	8030039			3
17	8030204			2
18	8047009			1
19	8104074			1
20	8130104		SKF 6004 2RS	1
21	8130279		SKF 6302 2RS	1
22	8131610		SKF AXK 1730	2
23	8153036			1
24	8155515			1
25	8280004			1
26	8280124			4
27	8482540			1
28	8681998		SKF AS 1730	4
29	8715000			1
30	8715200			1
31	8715402			1
32	8803449			1
33	8883020			1
34	8883025			1
35	8883059			1
36	8883067			2
37	8885057			1
38	8885082			3
39	8885083			1
40	TAB.1			1

TAB.1	MOTOR TYPE	
CODE		
8477381	HP I 2P B3 7I MULT V230/400 50 HZ T	
8477384	HP I 2P B3 7I UL V220/440 60 HZ T	
8477385	HP I 2P B3 7I CSA V 575/990 60 HZ T	
8477850	HP 0.75 2P B3 7I MULT.V230/400 50 HZ T	
8477851	HP 0.9 2P B3 7I UL V230/460/60 HZ T	
8477853	HP 0.9 2P B3 7I CSA V575/990 60 HZ T	

TAB.2	codice		
∅ 20mm	6020018	6152021	7255007
∅ 3/4"	6020020	8154006	6255095



P450NX

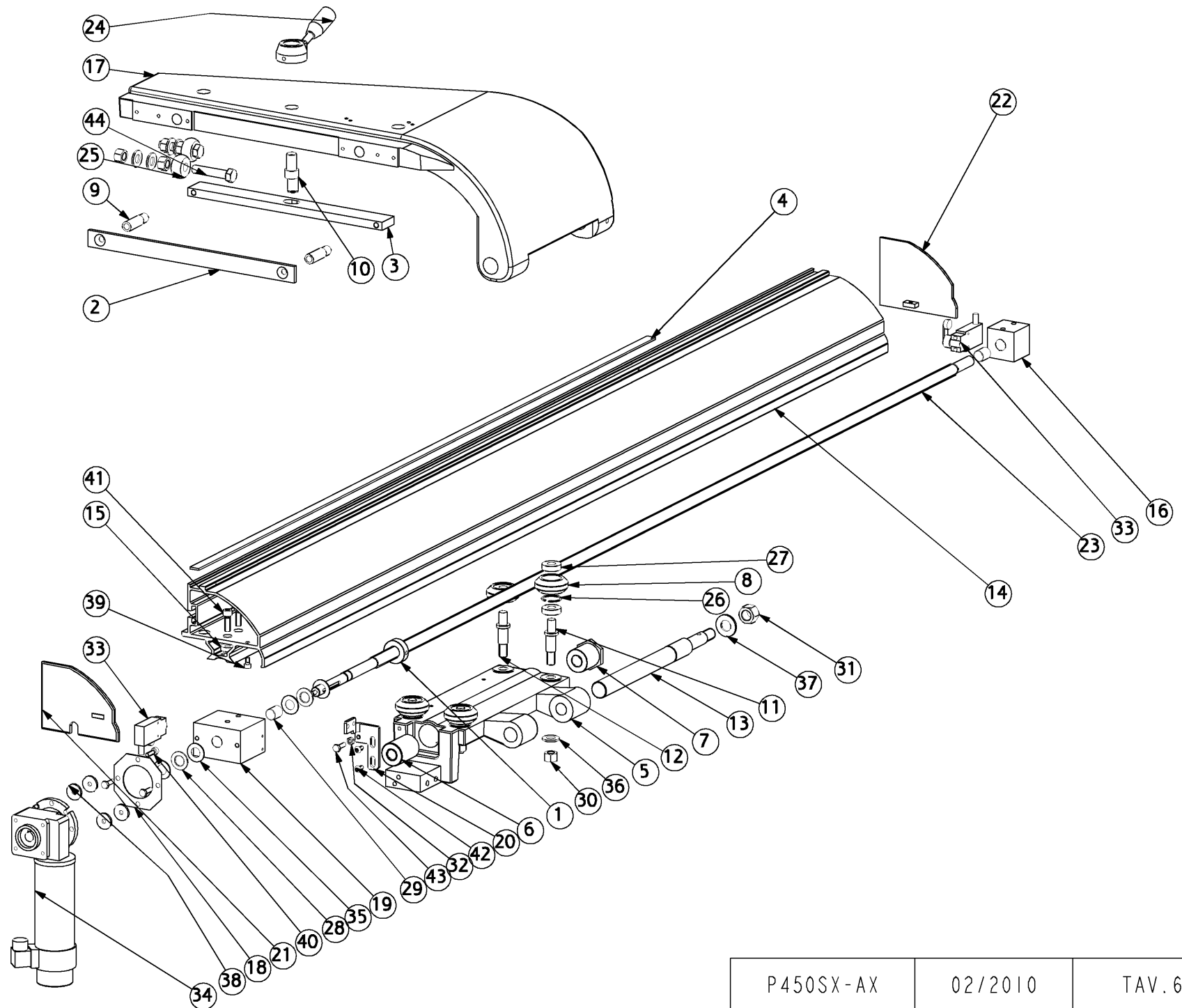
12/2008

TAV.627

RIF.	CODICE			QUANTITA' QUANTITY MENGE CANTIDAD
1	6022592			1
2	6040013			1
3	6040014			1
4	6040180	TAB N°1		1
5	6065097			1
6	6169132			2
7	6302008			1
8	6409043			1
9	6598009			1
10	6608162			1
11	6608163			1
12	6609135	TAB. N°2		1
13	6786017			1
14	6807299			1
15	6881348			1
16	7724902			2
17	7735002			2
18	8023030			1
19	8023120			2
20	8023143			1
21	8153009			2
22	8153038			2
23	8153040			8
24	8280115			1
25	8280136			2
26	8280218			1
27	8454041			1
28	8483161			3
29	8634521			1
30	8715056			4
31	8715506			1
32	8715601			4
33	8715803			1
34	8753150			1
35	8883039			2
36	8883086			1
37	8885130			2
38	8887140			1
39	8887147			2
40	<INS.CODICE>			6

TAB. N°1			
RIF.4	AP.1300	AP.1100	AP.1500
CE (MM)	6040180	6040183	6040184
USA (INCH)	6040187	6040186	6040188

TAB. N°2			
RIF.	AP.1300	AP.1100	AP.1500
12	6609135	6609137	6609138



P450SX-AX

02/2010

TAV.628

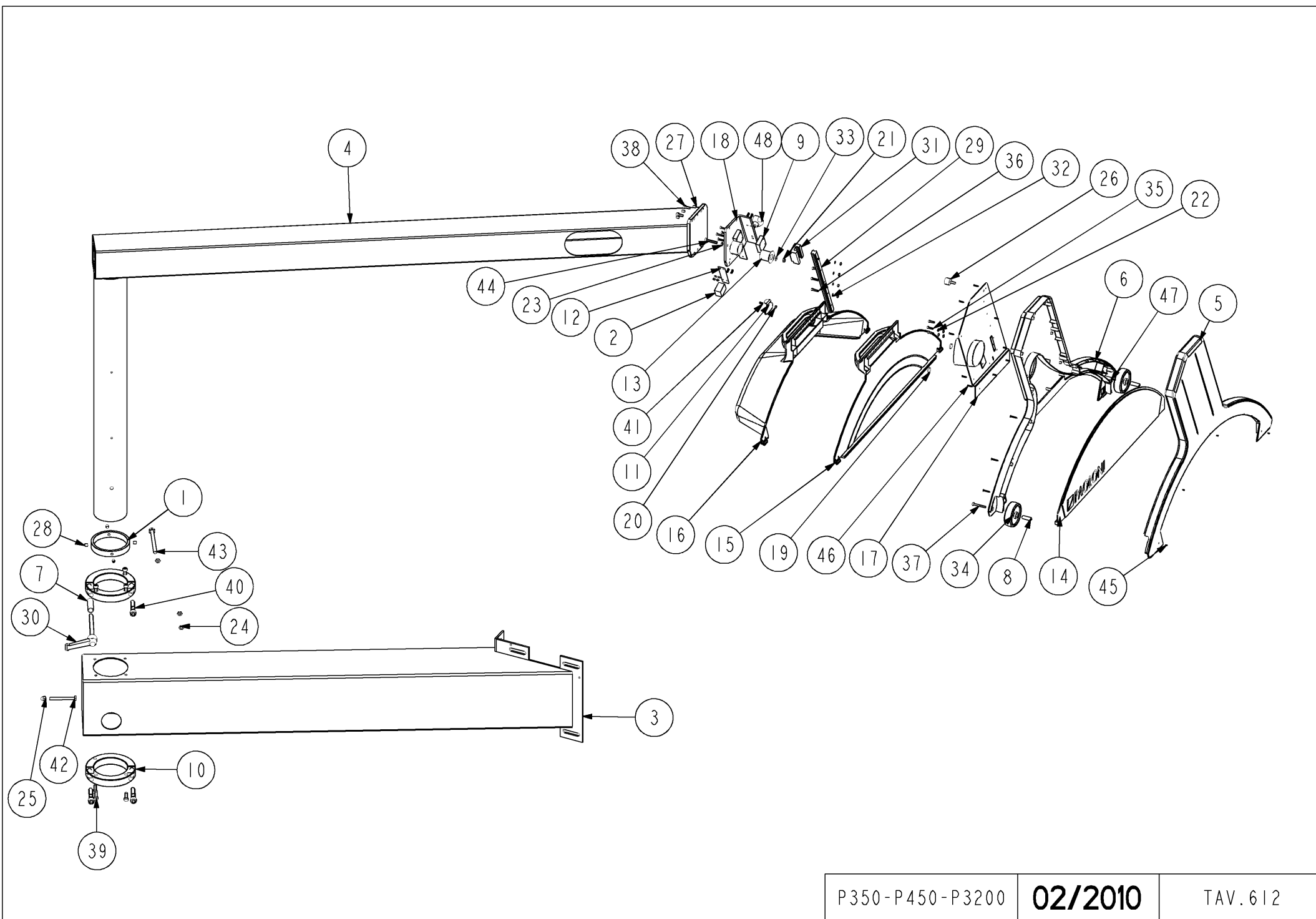


RIF.	CODICE			QUANTITA' QUANTITY QUANTITE MENGE CANTIDAD
1	6022581			1
2	6040013			1
3	6040014			1
4	6040159	TAB. 1		1
5	6096068			1
6	6110057			1
7	6110071			1
8	6150003			4
9	6169132			2
10	6608137			1
11	6608159			2
12	6608160			2
13	6609132			1
14	6632054	TAB. 2		1
15	6725384			4
16	6785548			1
17	6785626			1
18	6785774			1
19	6785775			1
20	6785793			1
21	6806109			1
22	6806110			1
23	6881352			1
24	6889017			1
25	7735002			2
26	8030025			4
27	8130195	SKF 6001 2RS		8
28	8131611	SKF AXK 1528		2
29	8131840	GLY PG 151720-F		2
30	8153038			8
31	8153040			1
32	8154000			1
33	8472009			2
34	8482558			1
35	8681997	SKF AS 1528		4
36	8715005			8
37	8715007			1
38	8715200			4
39	8883059			1
40	8883064			1
41	8883088			4
42	8883549			2
43	8885057			3

RIF.	CODICE			QUANTITA' QUANTITY QUANTITE MENGE CANTIDAD
44	8885130			2

TAB.1			
	1100	1300	1500
mm	6040198	6040159	6040171
inch	6040194	6040167	6040172

TAB.2		
1100	1300	1500
6632072	6632054	6632068



RIF.	CODICE			QUANTITA' QUANTITY QUANTITE MENGE CANTIDAD
	P350	P450 P3200-08		
1	6022593			1
2	6069054			1
3	6075194	6075199		1
4	6075195	6075200		1
5	6095716			1
6	6095717			1
7	6169444			1
8	6169482			2
9	6169499			1
10	6255177			2
11	6409103			1
12	6481168			1
13	6609240			1
14	6637383			1
15	6637384			1
16	6637385			1
17	6786020			1
18	6786021			1
19	8120003			2
20	8153001			1
21	8153003			1
22	8153032			12
23	8154000			1
24	8154002			3
25	8154104			1
26	8280065			1
27	8280115			6
28	8280134			4
29	8305019			1
30	8411041			1
31	8590010			1
32	8715000			6
33	8715002			1
34	8720011			2
35	8883020			3
36	8883022			4
37	8883046			2
38	8883062			4
39	8883086			6
40	8883170			3
41	8883518			1
42	8885090			1
43	8885118			1

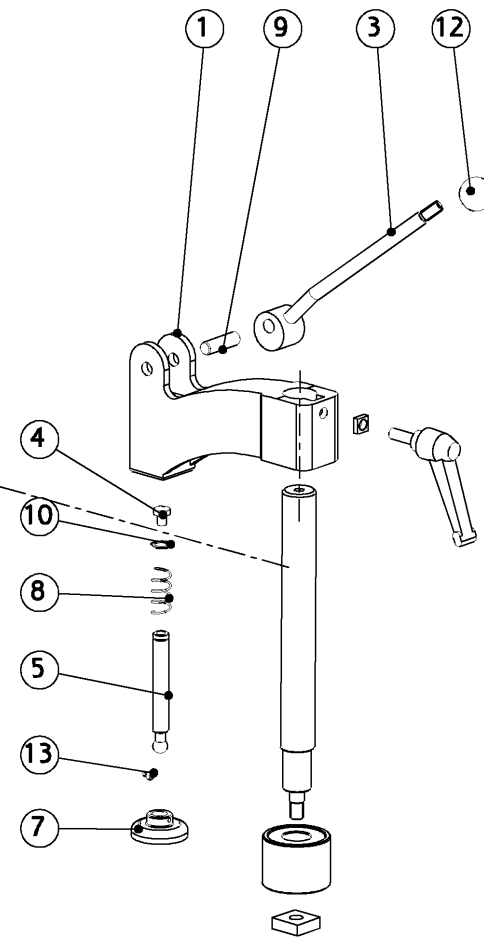
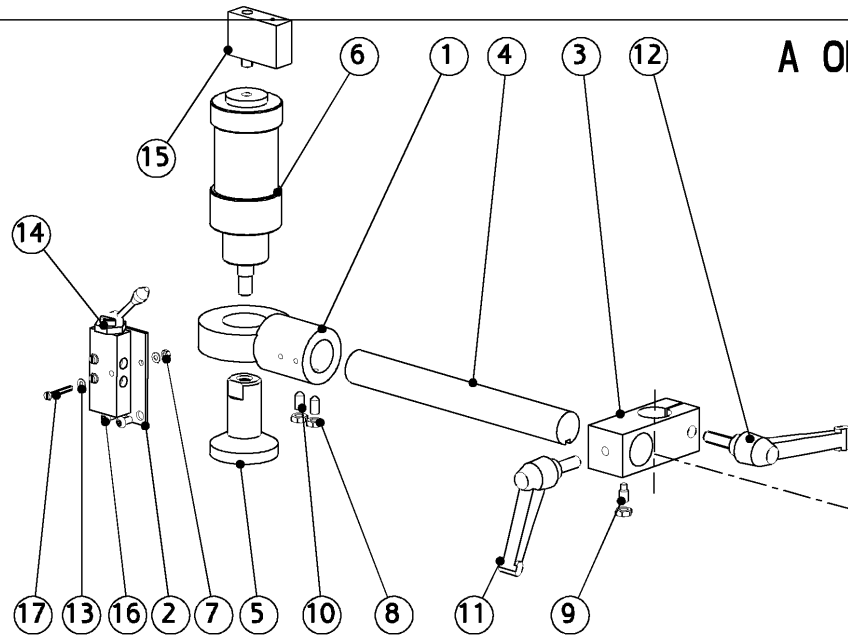
RIF.	CODICE			QUANTITA' QUANTITY QUANTITE MENGE CANTIDAD
	P350	P450 P3200-08		
44	8887133			1
45	8888015			5
46	8888020			9
47	8888025			8
48	8892024			1
49	<INS.CODICE>			5

A				
RIF.	CODICE			QUANTITA' QUANTITY QUANTITE MENGE CANDIDAD
1	6785082			
2	6785637			
3	7135004			
4	7608858			
5	7618003			
6	8101901			
7	8153032			3
8	8154002			3
9	8280506			
10	8280734			2
11	8411000			
12	8411003			
13	8715000			6
14	8860002			
15	8860032			
16	8883549			2
17	8884012			3

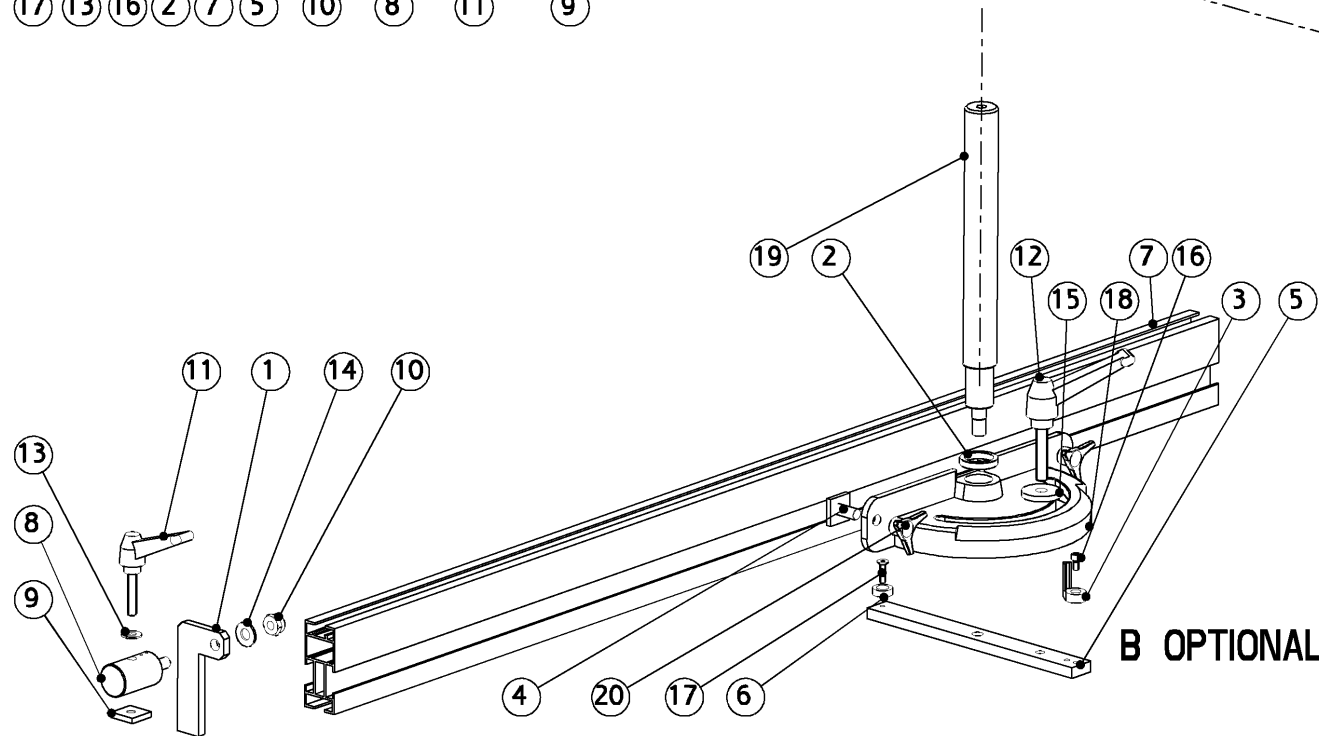
B				
RIF.	CODICE			QUANTITA' QUANTITY QUANTITE MENGE CANDIDAD
1	6053004			
2	6169224			
3	6390131			
4	6617006			2
5	6617528			
6	6642525			
7	6773038			
8	6785035			
9	7617032			
10	8153006			
11	8406014			
12	8411006			
13	8715003			
14	8715004			
15	8715503			
16	8883036			
17	8887118			
18	6773113			
19	7608877			
20	8897008			2

C				
RIF.	CODICE			QUANTITA' QUANTITY QUANTITE MENGE CANDIDAD
1	6075079			
2	6169138			
3	6409052			
4	6598007			
5	6606088			
6	6617237			
7	6619018			
8	7481019			
9	7608351			
10	8023141			
11	8411000			
12	8753150			
13	8883015			
14	7608877			
15	Dado M6			

**A OPTIONAL**



**B OPTIONAL**



**C STANDARD**