

Model BFU Series – Top Inflow Bag Filter Housings



Model BFU Series
Top Inflow Bag Filter Housings

Heavy-duty, high-performance filter housings suitable for pressures up to 200 psi and flow rates up to 200 gpm

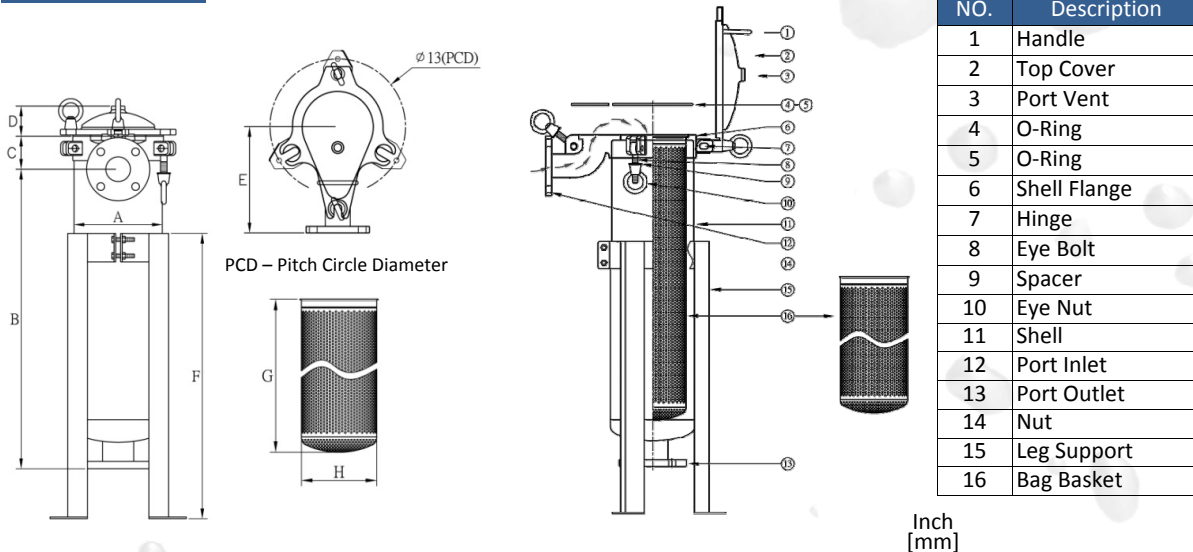
Description

Product:	Model BFU Series—Top Inflow Bag Filter Housings
Applications:	High-performance applications
Configuration:	Single bag
Material of Construction:	Stainless steel construction (SS304, SS316, SS316L); Heavy duty investment-case components
Inlet Outlet Connections:	1”-3” (NPT, ANSI 150 flange)
Flow Rate:	Up to 200 gpm
Max. Pressure:	200 psi
Temperature:	210 °F
Surface finish:	Electropolished
Closure Mechanism:	Eyebolt closure; hinged cover
Seal type:	O-Ring (BUNA, EPDM, VITON, PTFE encapsulate VITON)
Bag Size:	NO. 1, 2
Bag Basket:	Stainless steel bag basket (SS304, SS316, SS316L)
Leg Support:	Stainless steel (SS304); height adjustable
Inlet outlet position:	Side or bottom outlet available
Customizations:	Other connection sizes and standards (JIS, DIN) are available;
Recommended Spare Parts:	O-Rings, Bag Baskets, Bag Hold-down Rings, Leg Support
Accessories:	Bag Positioners, Displacement Balloons



Model BFU Series – Top Inflow Bag Filter Housings

Dimensions



Connection	Bag	Flow	Dimensions								Weight	Volume
			Size	Size	GPM	A	B	C	D	E		
2"	01	90	8-1/2 [216]	15 [385]	3-1/4 [83]	3 [82]	10-1/2 [270]	19-3/4 [504]	13-1/2 [350]	6-1/2 [172]	88	4.2
	02	200	8-1/2 [216]	28-3/4 [735]	3-1/4 [83]	3 [82]	10-1/2 [270]	27-1/2 [704]	28-1/2 [730]	6-1/2 [172]	106	8.2
2.1/2"	01	90	8-1/2 [216]	15 [385]	4-1/2 [118]	3 [82]	11-3/4 [302]	19-3/4 [504]	13-1/2 [350]	6-1/2 [172]	88	4.2
	02	200	8-1/2 [216]	28-3/4 [735]	4-1/2 [118]	3 [82]	11-3/4 [302]	27-1/2 [704]	28-1/2 [730]	6-1/2 [172]	106	8.2

All dimensions are nominal and rounded to 1/4" in the format of inch[mm]

How to order

Product Codes						
BFU-	B-	O2-	A-	200-	O20-	200-
	Material	Bag Size	Connection Type	Pressure Rating	Connection Size	Flow Rate
	A-SS304 B-SS316 C-SS316L	01-No. 1 02-No. 2 03-No. 3 04-No. 4	A-ANSI 150 Flange N-NPT	200-200psi	020-2" 025-2 1/2"	090-90 gpm 200-200

Example: BFU-B-02-A-200-020-200-E-N

Product Codes (Continued)	
E -	N
O-Ring	ASME Code
B -BUNA E -EPDM V -VITON P -PTFE W/VITON	N-No A-YES, No Stamps AU-YES, "U" Stamp

Accessory Codes & Spare Parts Codes				
BFU	A-	B-	O2-	BP
	Category	Material	Bag Size	Type
	A-Accessory B-Spare Parts	A-SS304 B-SS316 C-SS316L	01-No. 1 02-No. 2	BP -Bag Positioner DB -Displacement Balloon BK -Bag Basket BK -Bag Basket LS -Leg Support OR-O-Ring
		B-BUNA E-EPDM V-VITON P-PTFE W/VITON		

Example: BFUA-B-02-BP