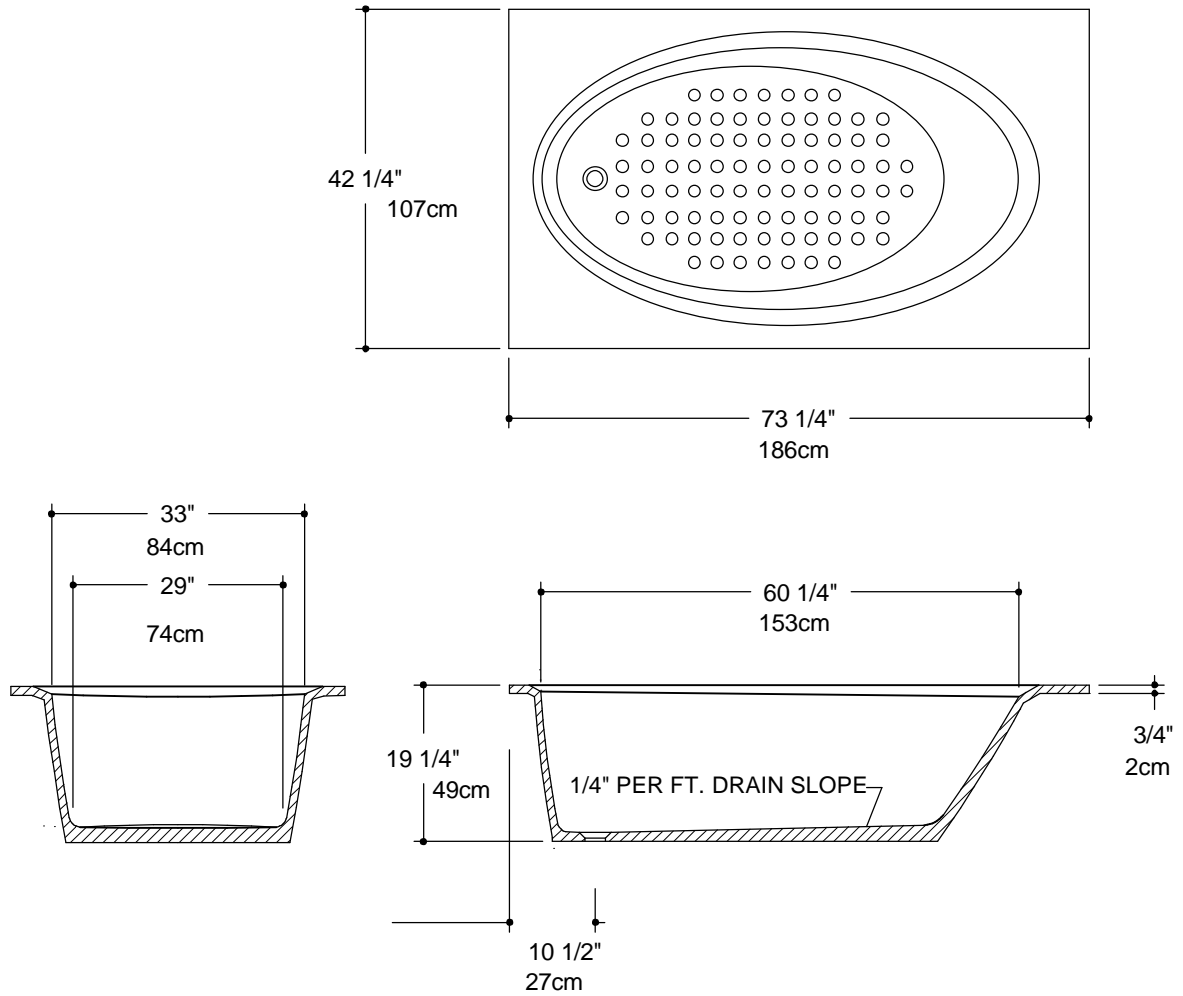


MK17

GRUBER SYSTEMS RESERVES THE RIGHT TO CHANGE THIS INFORMATION AT ANY TIME WITHOUT PRIOR NOTICE. ISSUED BY GRUBER SYSTEMS INC., 25636 AVENUE STANFORD, VALENCIA, CA 91355, USA. COPYRIGHT 2002



MOLD PART	CATALOG No.	DESCRIPTION
MALE	29017	MK 17 MALE
FEMALE	490178	F- MK 17 ONE PIECE
2PC FEM DECK	490171	F- MK 17 DECK
2PC FEM BOT	490172	F- MK 17 BOTTOM
TURTLE	490173	F- MARK 17/28 TURTLE
ULFF	490179	ULFF - MARK 1/2" WALL
ULFF INSERT	4901791	ULFF MARK 17 INSERT 1/2"
SPEEDY PLUG	29110	MARK 17/28 SPEEDY PLUG
NAME	MK17 BATHTUB 73 1/4" X 42 1/4" X 19 1/4" (186cm X 107cm X 49cm)	
CAST WEIGHT	SCALE 1/2" = 1' 0"	DATE 8-30-02 PAGE No. T-8