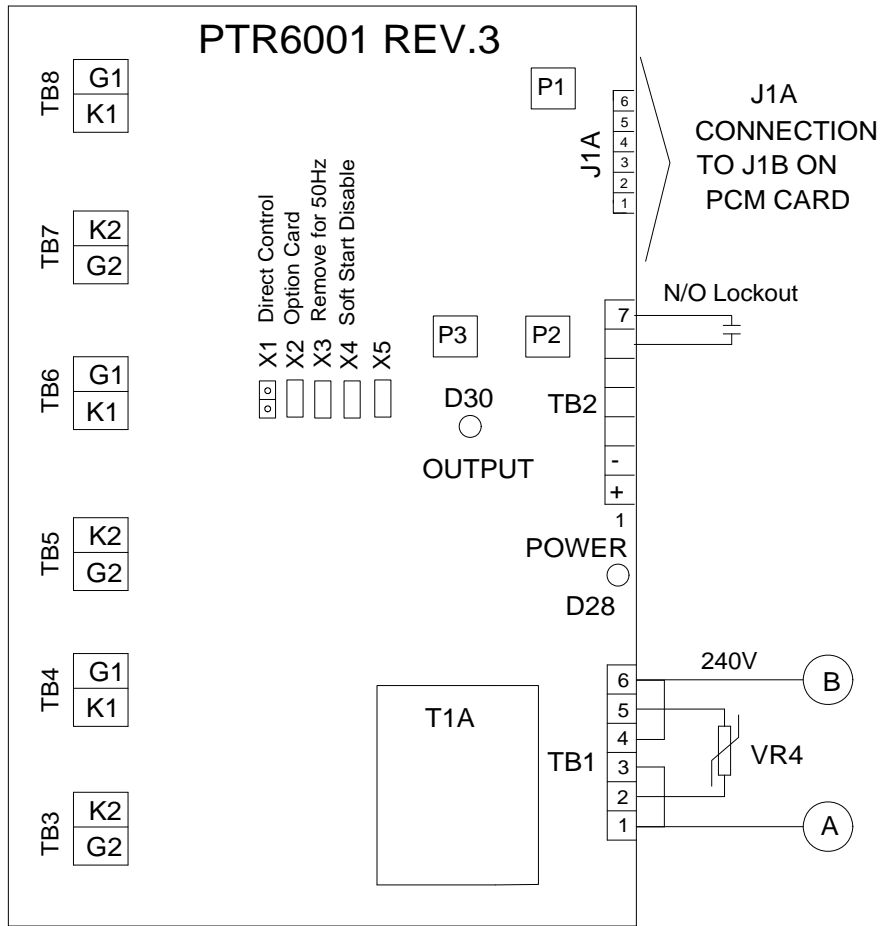


# PTR6001 REV.3

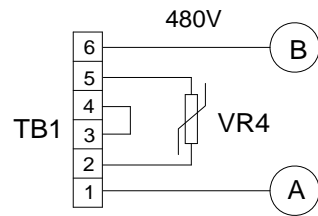
- PURPLE /w PURPLE /w C
- BLACK /w BLACK C̄
- YELLOW /w YELLOW /w B
- GRAY /w GRAY B̄
- RED /w RED /w A
- BLUE /w BLUE Ā



**NOTE:**

Make sure there is a jumper on X2 NOT on X1.

P1-P2-P3 Disabled  
Not used with OPTION card.  
(TX3, TX6, TX8, CADX-6)



Make sure the board is wired for proper input voltage.

<b>ULTIMATIC</b>			
<small>RECTIFIER POWER SUPPLY BY: ALDONEX</small>			
<small>SCALE</small>	<small>NONE</small>	<small>APPROVED BY:</small>	<small>DRAWN BY: SO</small>
<b>PTR6001 REV.3</b>			
<small>BELLWOOD, ILL.</small>		<small>U.S.A.</small>	