



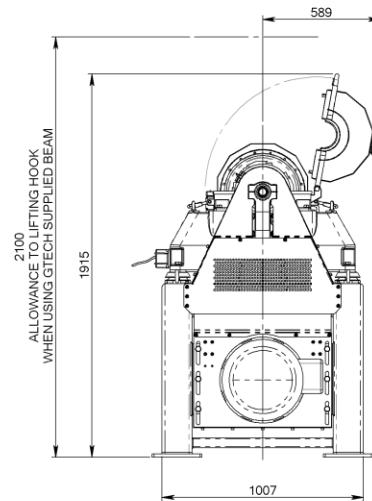
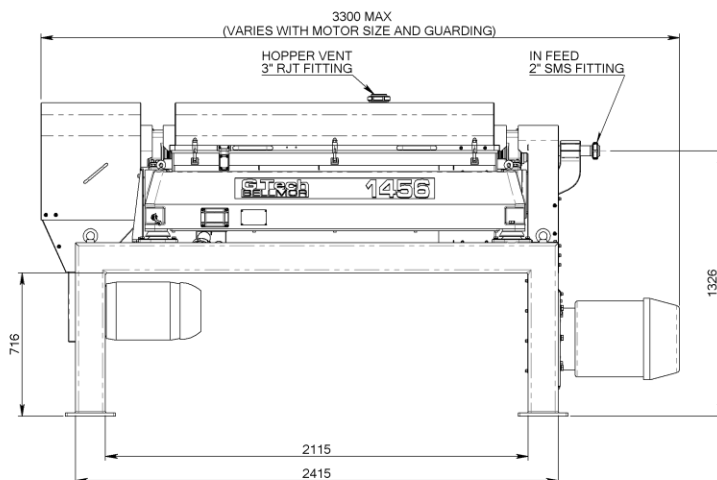
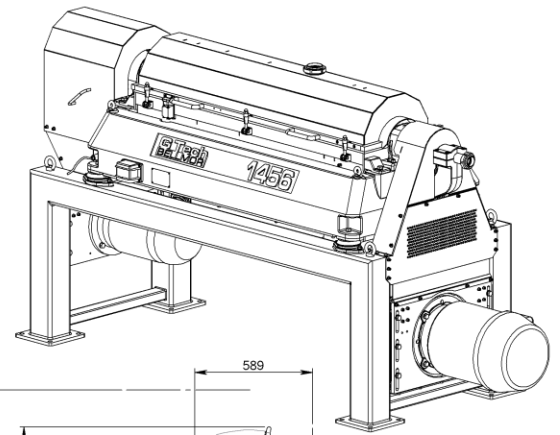
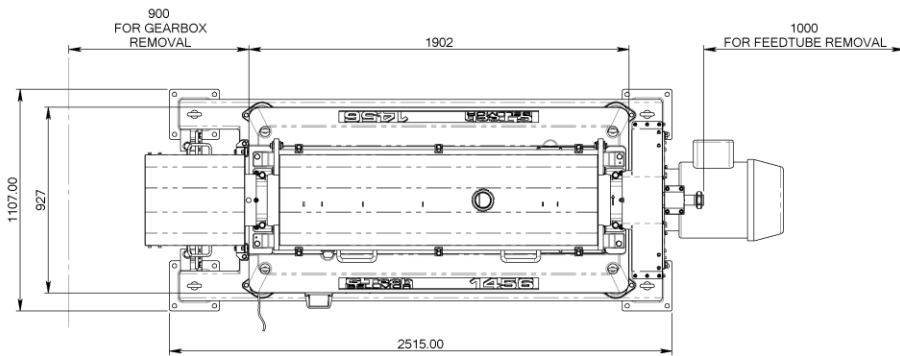
G Tech



Decanter 1456

Specifications

Application:	2 or 3 Phase separation
Capacity:	3m ³ /hr - 25m ³ /hr (product dependant)
Bowl Diameter:	353mm (14")
Bowl Length:	1462mm (57.5")
Max Bowl Speed:	4000rpm
Max G-Force:	3150g
Power:	WEG 18.5 - 37kW Main Drive /WEG 5.5 - 15kW Back Drive
Gearbox:	2.5kNm (158:1), 3.5kNm (57:1) or Hydraulic Viscotherm Rotodiff
Materials/Finish:	Bowl Material: 316 Stainless Steel / Wetted Parts: Stainless Steel
Options:	Frame or skid mount Conveyor wear protection options Fixed torque arm or backdrive Other options on request



Frame mounted model shown

Contact Us

USA

2511 N Frazier Street
Conroe
Texas 77303
Tel: +1281 290 9229
Email: sales@gtechus.com
Website: www.gtechus.com
ISO9001 registered

New Zealand

P.O. Box 29 · Kaiapoi 7644
21 Empire Rd. · Kainga
Christchurch 8083 New Zealand
Tel: +64 3 323 6151
Email: sales@gtechnz.com
Website: www.gtechnz.com
ISO9001 registered

Australia

14A Nicholas Drive,
Dandenong 3175
Victoria, Australia
Tel: +61 3 9768 3866
Email: sales@gtechau.com
Website: www.gtech-australia.com



ISO 9001