



Installation Guide For:



ROD RAILING

Read all instructions before beginning installation

Extra Screws Included



DekPro™ Prestige Textured Aluminum Railing Systems

Level Horizontal Baluster Railing



DekPro™ Prestige Aluminum Rail System Level Horizontal Baluster Railing Installation Instructions

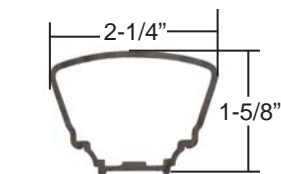
Level Horizontal Baluster Railing Installation Guide

- Please read all instructions completely before starting any installation of DekPro™ Prestige Railing Systems.
- **SAFETY:** Always be safe and follow all instructions when using power tools and always wear eye protection!
- Proper blocking must be in place before mounting posts.
- Rail Sections come in nominal 6ft & 8ft lengths. (Actual rail lengths are 70" and 96.75" respectively).
- Residential default finished rail height when using DekPro™ bracket installation Quick Jig is 38" and Commercial is 42".
- Posts are available in 3" post w/ flange, 4" post w/ flange and 4" Sleeve. COMMERCIAL - 3" post w/ flange
- DekPro™ Prestige Railings should be installed using good building principles in accordance with local building codes and the installation guidelines. Consult your local building code official and check all code requirements before installing railings. DekPro™ or its distributors shall not be held liable for improper or unsafe installations.
- It is the responsibility of the installer to obtain all required building permits and meet code requirements.
- For questions contact Absolute Distribution Inc., U.S. national distributor for DekPro™ Prestige Railing Systems at 800-335-5909 or www.AbsoluteDist.com

Recommended Tools for Installation

- Level
- Mallet / Hammer
- Speed Square
- Cordless Drill / Impact driver
- Quick Clamp
- Pencil
- Tape Measure
- Miter saw with high tooth count carbide blade
- 13/64" drill bit (Optional)
- #2 Square Drive Bit
- T30 Torx screwdriver bit
- Adjustable Wrench

Rail Profiles & Hardware



Top Rail
70" & 96-3/4" Lengths



Top Rail Bracket



#14 x1 T30 Torx



Level Baluster Connectors



Intermediate Support Shoes



Level Intermediate Support

5/8" Diameter Baluster (72" & 96" Length Options)

All fasteners for attaching brackets to posts and rails are packaged with brackets. Fasteners for post base are NOT provided due to varying installation circumstances. #14 T30 Torx, self-drilling screws included. 2 screws for each bracket attachment and 1 screw for securing rail profile to the bracket. Level baluster connectors include #14 - #2 square drive self-drilling screws. Intermediate support shoes include #10 pan head #2 square drive self-drilling screws.

All screws are color matched to the rail.

Post Placement & Installation

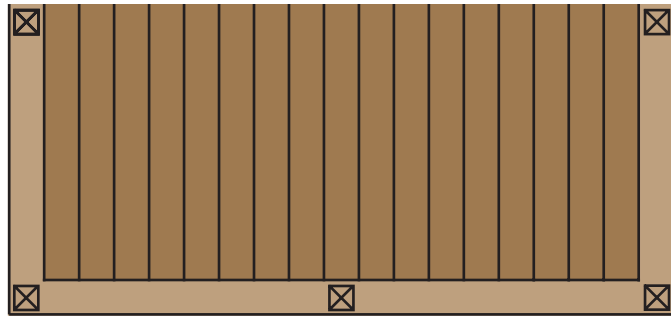
Step 1: Layout

Lay out post placement.
If stairs are involved, it may be beneficial to start with post placement at top of stair run.

Ensure proper blocking is in place before mounting posts.

Actual Railing Lengths:

- 70" for 6' rail
- 96-3/4" for 8' rail



Step 2: Mount Post

- Set post in place and mark four mounting holes.
- Pre-drill holes for mounting hardware, then fasten post with mounting hardware (not included). See below for mounting options.
- Check that post is plumb and shim if necessary (shims included).
**Note: Optional Quick Jig can be used to plumb posts using the attached 2 way level.*
- For 4" sleeve - Slide sleeve over existing wood 4x4 and furr-out as necessary.



Mark and Pre-drill Holes

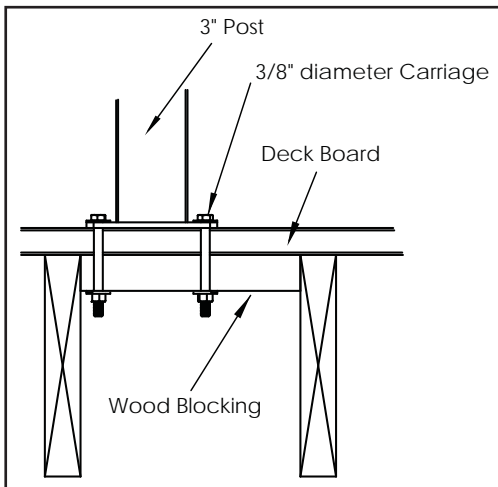


Fasten Post to Deck Surface

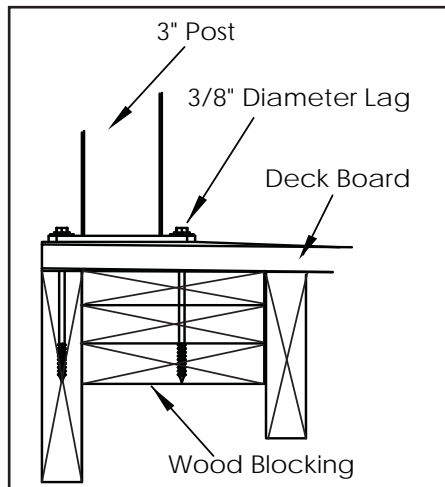


Post Mounting Options

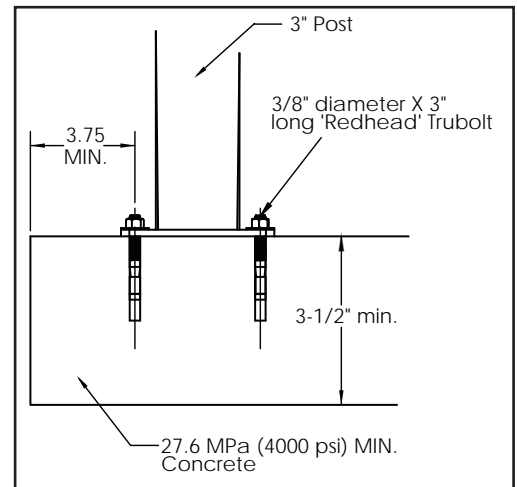
Surface Mount using Carriage Bolt



Surface Mount using Lag Bolt



Surface Mount using Concrete Anchor



DekPro™ Prestige Aluminum Rail System Level Horizontal Baluster Railing Installation Instructions

Level Rail Installation

Step 3a: Locating Bracket and Connectors on Post

Standard Installation - **Using Prestige Quick Jig for Rod Rail**

- Clamp Prestige™ Quick Jig to post.
- Insert top rail bracket into the Quick Jig
- Use T30 Torx self-drilling screws to fasten top rail bracket.
 - Pre-drill holes if desired
- Insert Threaded Connectors into jig and use #2 Sq. drive self-drilling screws to fasten connectors.
 - Pre-drill holes if desired
 - It is not recommended to fully tighten the threaded connectors until after jig is removed.
- Remove Quick Jig.
- Finish fastening bracket and threaded connectors to post.
 - Ensure there are no metal shavings behind the connectors.

**Note: Default finished rail height will be 38" for residential and 42" for commercial when using Prestige™ Quick Jig.*



Clamp Quick Jig



Fasten Bracket



Fasten Threaded Connectors

Step 3b: Locating Bracket and Connectors on Post

Standard Installation - **Without Quick Jig**

Top Rail Bracket Installation:

- **For 38" Rail:** Measure up 35-3/4" from the top of the base plate and mark a line
- **For 42" Rail:** Measure up 39-3/4" from the top of the base plate and mark a line
- Center the bracket on the post with the bottom edge of the bracket at the line you marked previously
- Use T30 Torx self-drilling screws to fasten bracket. (Pre-drill holes if desired)

**Note: Default finished rail height will be 38" for residential and 42" for commercial using standard installation procedure.*



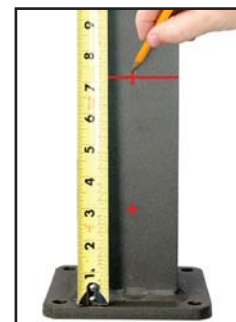
Measure up 35-3/4" from top of base plate (38" rail example).



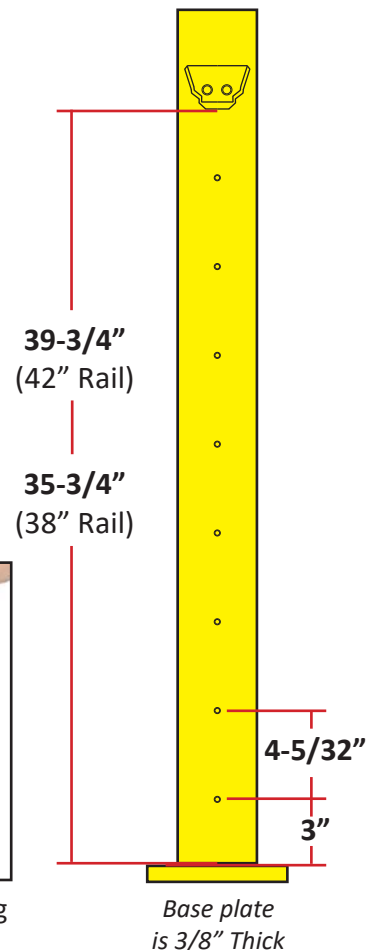
Center bracket and attach to post



Mark first hole up 3" on center from top of base plate



Mark all remaining holes 4-5/32" on center from each other



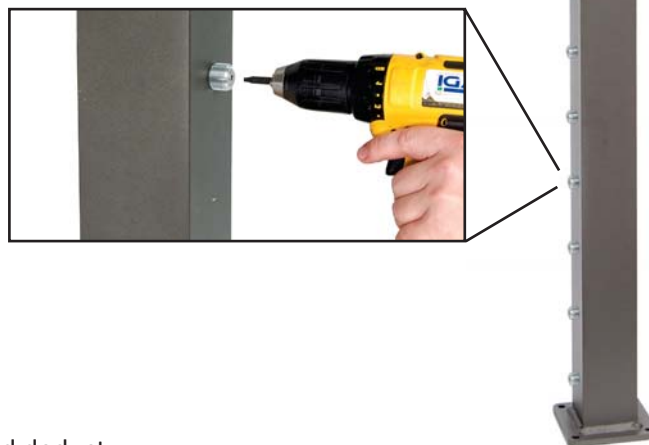
Marking Baluster Connector Locations:

- **For the First Hole Closest to the Base plate** Measure up 3" on center from the top of the base plate and make a mark in the center of the post
- **For all Concurrent Holes Going up the Post** Measure up 4-5/32" on center from the hole marked previously. Mark each location in the center of the post.
- 8 holes total for 38" rail, 9 holes for 42" rail

Level Rail Installation (Continued)

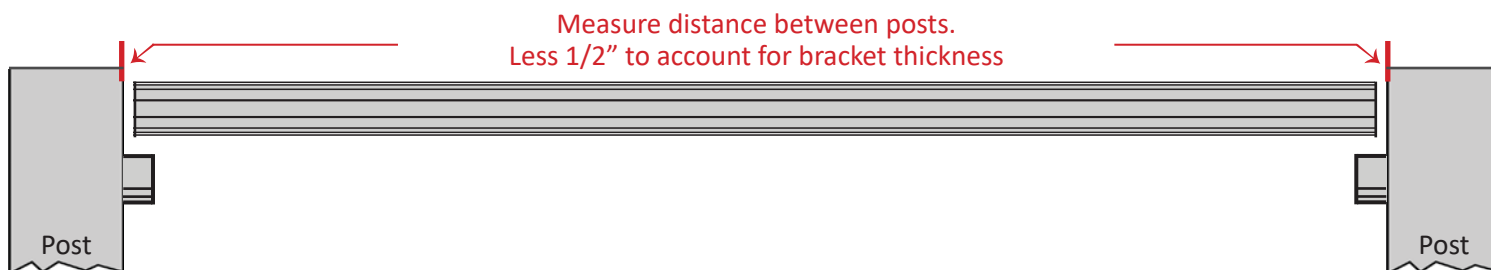
Step 4: Attach Baluster Connectors to Post - **Without Quick Jig**

- Reference the marks made in step 3b for baluster connector locations
- Use #2 square drive to screw in self-drilling screws
- Before fully seating the threaded connector ensure there are no metal shavings behind the connector. Threaded connector must sit flat against the post.



Step 5: Cut Top Rails to Size

- Measure distance from inside of post to inside of post and deduct 1/2" from that measurement. (1/2" deduction accounts for top rail bracket wall thickness, 1/4" each)
- Cut top rail with a high tooth count carbide blade. **All cut ends must be painted to prevent oxidation.**



Step 6: Set Top Rail into Brackets

Set railing into brackets and secure with screws. Install top bracket using 1 screw per bracket to secure rails in place.

**Note: Set screw gun on "Screw" mode not "Drill" mode.*



Fasten top rail to bracket

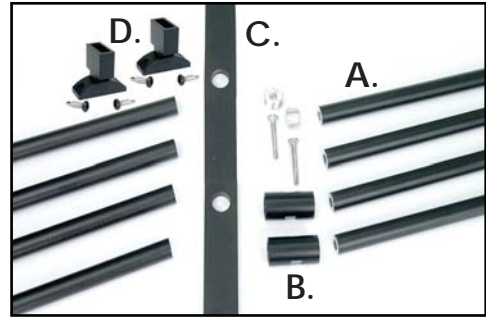
Level Rail Installation (Continued)

Horizontal Baluster Infill Assembly

Kit Includes:

- A. 8 - 5/8" Diameter Horizontal Balusters
- B. 16 - Level Horizontal Baluster Connectors w/ Fasteners
- C. 1 - Mid-Rail Support
- D. 2 - Mid-Rail Support Connector Shoes w/ Fasteners

(All hardware is included to complete rail kit assembly)



Step 7: Cut Intermediate Support to Length

Part 1:

Measure down from the center of the first hole 2-1/2" and cut. Mark this cut end as the bottom.

Note: This will be the same for 38" or 42" rail height.



Part 2:

For 38" Rail Height: Measure up from the cut end (bottom) 34-5/8" and cut



For 42" Rail Height: Measure up from the cut end (bottom) 38-5/8" and cut



Step 8: Install Intermediate Support

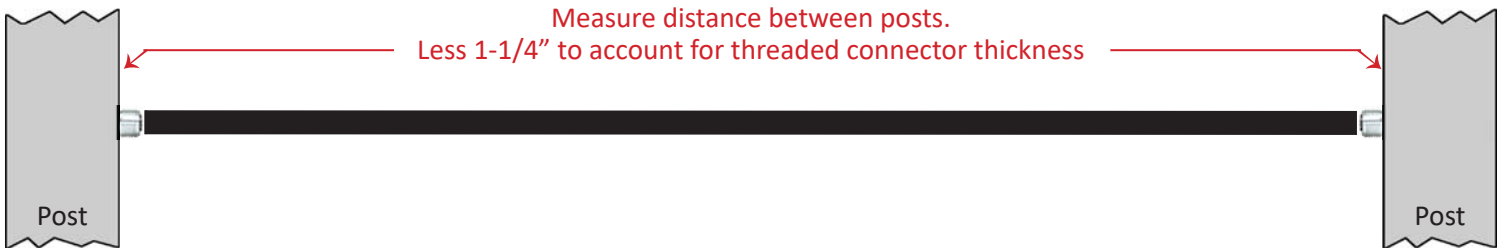
- Find the mid point between the posts to locate the intermediate support shoes on the deck surface and underside of the top rail
- Mark screw hole locations and pre-drill
- Insert the Intermediate Support into the connector shoes and place at the mid-span previously marked.
- Attach the connector shoes to the deck surface and underside of the top rail using #2 drive with included screws (2 screws per shoe)
- Use Allen wrench to tighten the set screw to secure the support into the shoe.



Level Rail Installation (Continued)

Step 9: Cut Balusters to Size

- Measure distance from inside of post to inside of post and deduct 1-1/4" from that measurement. (1-1/4" deduction accounts for threaded connector thickness, 5/8" on each side)
- Cut balusters with a high tooth count carbide blade. **All cut ends must be painted to prevent oxidation.**



Step 10: Connect Balusters to Posts

- Insert balusters through the intermediate support.
- Slide the connector sleeve onto each end of the baluster.
- When baluster is in place, screw the connector sleeve onto the threaded connector.
- Use the included tool or adjustable wrench to secure the connector sleeves onto the threaded connector.
- Once the connectors are properly secured, use the 3/32" allen wrench to tighten set screw.



Tighten connector sleeve onto threaded connector



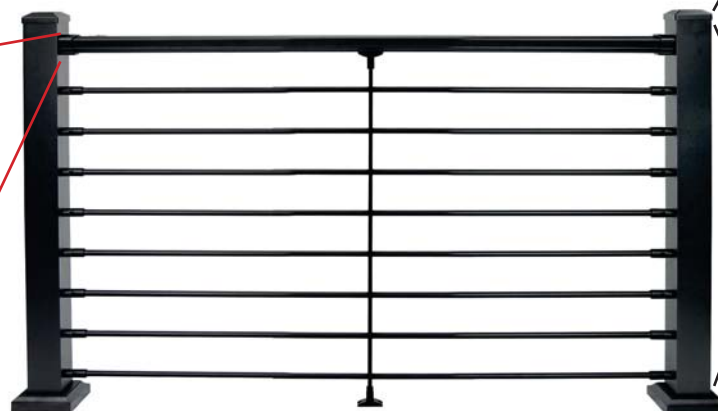
Tighten set screw (Set screw shown on side for clarity)

Step 11: Finishing the Rail

- Install rail bracket covers using a mallet/hammer and wood block to seat the bracket covers properly onto the bracket (Remove post cap if installed).
IMPORTANT! - Bracket cover must be tapped straight down. Bracket cover tabs may break if driven down at an angle.
- Tighten set screws on the intermediate support using 2.5 mm allen wrench
- Install post cap and 2 pc. skirt.



IMPORTANT!



Installed Cap



Installed Skirt



DekPro™ Prestige Textured Aluminum Railing Systems

Stair Horizontal Baluster Railing



DekPro™ Prestige Aluminum Rail System Stair Horizontal Baluster Railing Installation Instructions

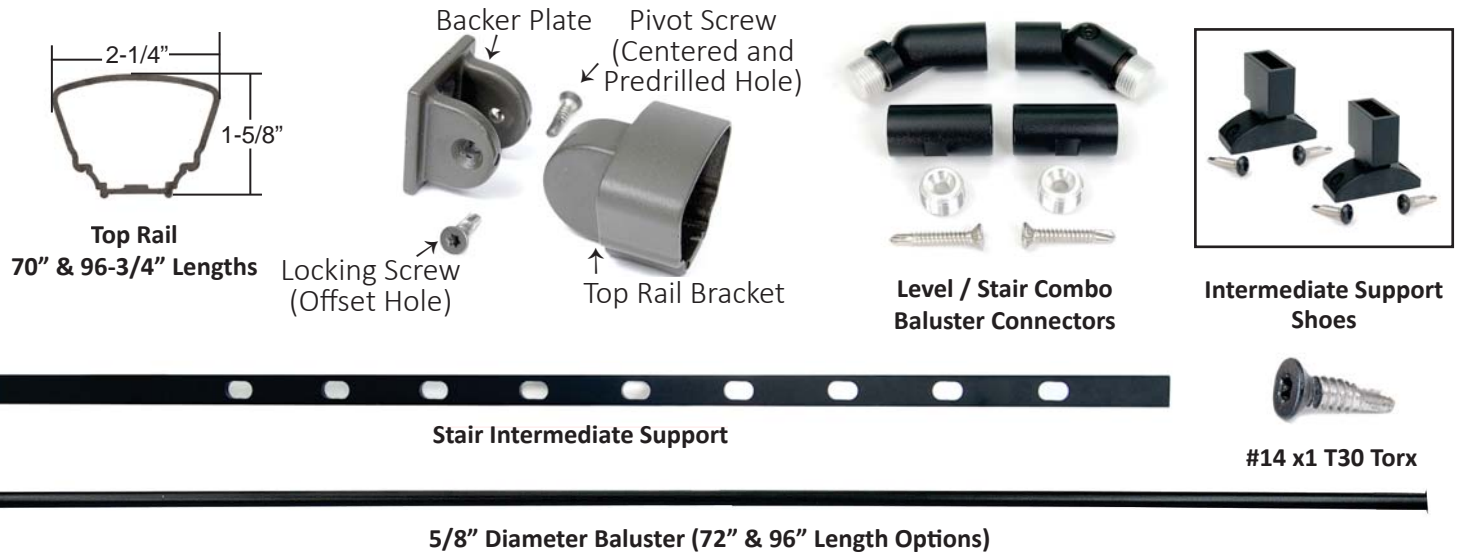
Stair Horizontal Baluster Railing Installation Guide

- Please read all instructions completely before starting any installation of DekPro™ Prestige Railing Systems.
- **SAFETY:** Always be safe and follow all instructions when using power tools and always wear eye protection!
- Proper blocking must be in place before mounting posts.
- Rail Sections come in nominal 6ft & 8ft lengths. (Actual rail lengths are 70" and 96.75" respectively).
- Residential default finished rail height when using DekPro™ bracket installation Quick Jig is 38" and Commercial is 42".
- Posts are available in 3" post w/ flange, 4" post w/ flange and 4" Sleeve. COMMERCIAL - 3" post w/ flange
- DekPro™ Prestige Railings should be installed using good building principles in accordance with local building codes and the installation guidelines. Consult your local building code official and check all code requirements before installing railings. DekPro™ or its distributors shall not be held liable for improper or unsafe installations.
- It is the responsibility of the installer to obtain all required building permits and meet code requirements.
- For questions contact Absolute Distribution Inc., U.S. national distributor for DekPro™ Prestige Railing Systems at 800-335-5909 or www.AbsoluteDist.com

Recommended Tools for Installation

- Level
- Mallet / Hammer
- Speed Square
- Cordless Drill / Impact driver
- Quick Clamp
- Pencil
- 2.5 mm Allen Wrench
- Tape Measure
- Miter saw with high tooth count carbide blade
- 13/64" drill bit (Optional)
- #2 Square Drive Bit
- T30 Torx screwdriver bit
- Adjustable Wrench

Rail Profiles & Hardware



5/8" Diameter Baluster (72" & 96" Length Options)

All fasteners for attaching brackets to posts and rails are packaged with brackets. Fasteners for post base are NOT provided due to varying installation circumstances. #14 T30 Torx, self-drilling screws included. 2 screws for each bracket attachment and 1 screw for securing rail profile to the bracket. Level baluster connectors include #14 - #2 square drive self-drilling screws. Intermediate support shoes include #10 pan head #2 square drive self-drilling screws. All screws are color matched to the rail.

Post Placement & Installation

Step 1: Layout

Lay out post placement.
Stair rail installation must start with post placement at top of stair run.

Ensure proper blocking is in place before mounting posts.

Actual Rod Lengths:

- 72" for 6' rail
- 96" for 8' rail

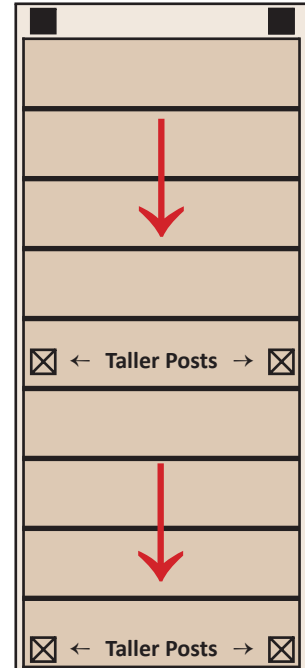


Mark and Pre-drill Holes



Fasten Post to Deck Surface

Start Here
Top of Stairs



Bottom of Stairs

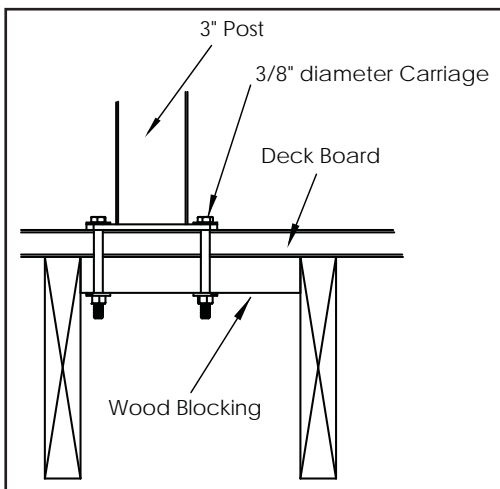
Step 2: Reference Diagram

Step 2: Mount Posts

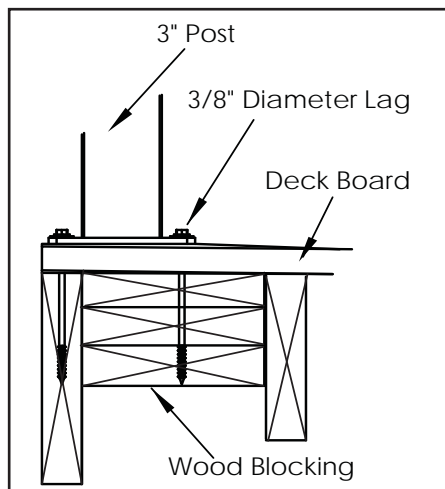
- Start with top post (■). Set into place and mark four mounting holes.
- Pre-drill holes for mounting hardware, then fasten post with mounting hardware (Not Included). See below for mounting options.
- Check that post is plumb and shim if necessary (shims included).
**Note: Optional Quick Jig can be used to plumb posts using the attached 2 way level.*
- After top posts (■) are installed, temporarily place lower post(s) (⊠) on tread to allow for adjustment to ensure proper spacing between the posts. Lower posts may need to be removed for trimming of post to appropriate height. Lower posts must be longer to allow for flexible post placement.
- Once rails are set all posts can be permanently mounted.
- For 4" sleeve - Slide sleeve over existing wood 4x4 and furr-out as necessary

Post Mounting Options

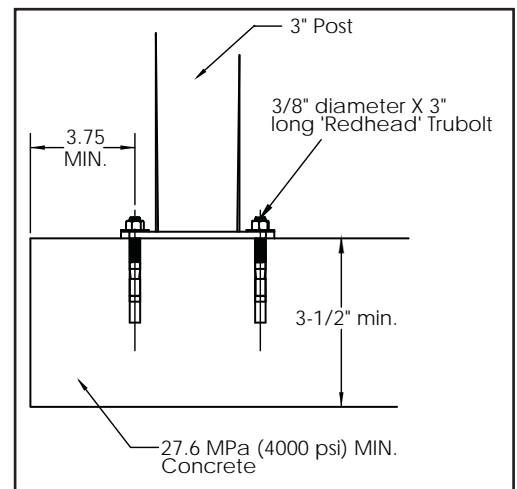
Surface Mount using Carriage Bolt



Surface Mount using Lag Bolt



Surface Mount using Concrete Anchor



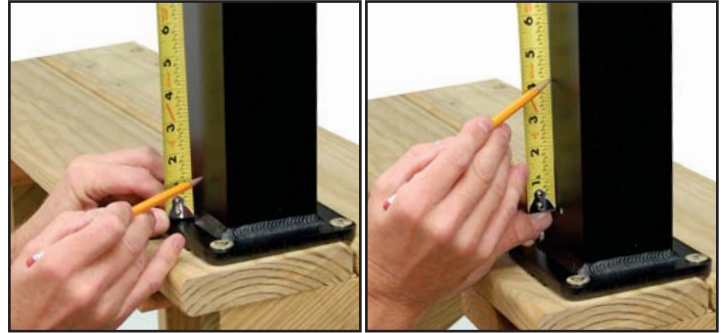
Stair Rail Installation

Step 3: Locate Top Post Threaded Connectors

Part A: Measure up 1-1/2" up from the top of the post base plate and mark

Part B: Measure up 4-5/32" from the mark made in Part A and mark

NOTE: Placing post base flange 1" from edge of deck and measuring up 1-1/2" from flange provides for adequate clearance from rod and nose of stair treads.



Step 4: Attached Threaded Connectors

Attach 2 threaded connectors at the location of the marks made in Step 3 using provided self-drilling screws.



Step 5: Use Jig to Locate Threaded Connectors

- Place Jig with the first hole of the jig on the 2nd threaded connector.
- Clamp Prestige™ Quick Jig to post.
- Insert Threaded Connectors into jig and use #2 Sq. drive self-drilling screws to fasten connectors.
 - Pre-drill holes if desired
 - It is not recommended to fully tighten the threaded connectors until after jig is removed.
- Remove Quick Jig.
- Finish fastening bracket and threaded connectors to post.

Ensure there are no metal shavings behind the connectors.

*Note: 8 threaded connectors for 36" rail
9 threaded connectors for 42" rail*



Stair Rail Installation (Continued)

Step 6: Attach Stair Connector

- Attach the first stair connector to post at top of stair.
- Then, temporarily attached a full length rod into this connector using the set screw to hold rod into place.



Step 7: Locate Rod Bracket Location - Lower Post

- With the rod temporarily fixed into the connector at the top post, determine the location of the bottom rod.
- Ensure spacing from bottom rod to the nose of the stairs in equal on all treads.
- Once located, clamp the bottom rod to the lower post.



Step 8: Locate bottom stair connector

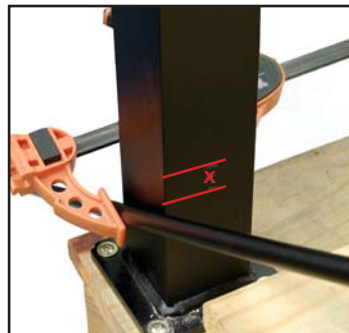
- With bottom rod clamped in place. Align the bottom stair connector next to the rod at the same angle as the rod.
- Mark the top and bottom of the stair connector on the post.



Step 9: Locate and Attach Bottom Threaded Connector

- Find the center between the marks made in Step 8
- Ensure this mark (X) is centered on the post.
- Then install the threaded connector at that mark.

Note: This post may need to be removed to allow for threaded connector to be installed onto post.



Stair Rail Installation (Continued)

Step 10: Use Jig to Locate Threaded Connectors

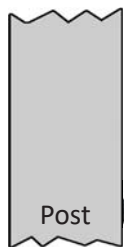
- Place the Jig with the first hole of the Jig on the 1st threaded connector.
- Clamp Prestige™ Quick Jig to post.
- Insert Threaded Connectors into jig and use #2 Sq. drive self-drilling screws to fasten connectors.
 - Pre-drill holes if desired
 - It is not recommended to fully tighten the threaded connectors until after jig is removed.
- Remove Quick Jig.
- Finish fastening bracket and threaded connectors to post. Ensure there are no metal shavings behind the connectors.

Note: 8 threaded connectors for 36" rail
9 threaded connectors for 42" rail



Step 11: Determine Length of Rods

- With the stair connectors installed on the top and bottom posts, measure the distance between the connectors.
- Use that measurement and deduct 1/4" from that length and cut your rods using a fine tooth carbide blade.



Measure distance between
Stair Connectors.
Less 1/4" to allow for
easy rod installation



Step 12: Place Bottom Rod

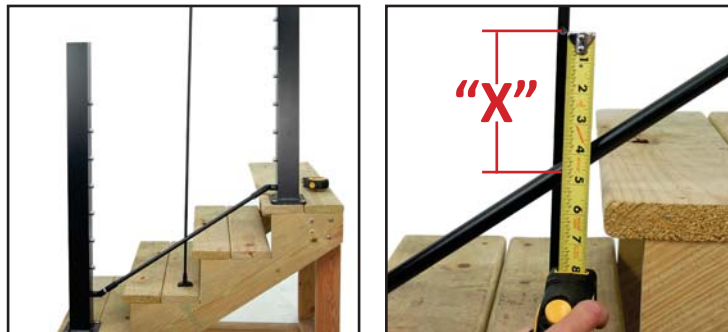
Temporarily place the bottom rod into the connectors



Stair Rail Installation (Continued)

Step 13: Intermediate Support Adjustment

- Determine the mid-point of your rail and locate the intermediate support brace at that point.
- Place the intermediate support with the excess length side **down INTO THE SHOE** and set support next to the bottom rod.
- Determine the distance from the center of the rod to the center of the allen screw in the first hole on the intermediate support.
- Use this measurement "X" in the next step.



Step 14: Cut Intermediate Support to Length

Part A:

Measure up from the bottom of the intermediate support "X" length as determined in **Step 13**. Mark and cut this bottom end. *Note: This will be the same for 38" or 42" rail height.*



Part B:

For 38" Rail Height: Measure up from the upper edge of the 8th hole 2" and cut

For 42" Rail Height: Measure up from the upper edge of the 9th hole 2" and cut



Step 15: Install Rods and Intermediate Support

- Attach the stair connectors on each post.
- Pass the rods through the intermediate support, then attach the rods to the post using the stair connectors.
- With rods fixed in place, plumb the intermediate support and fasten the bottom support shoe into place.

Note: The top rod does not have to be installed at this time to allow for easier drilling of the top rail brackets onto post.



Stair Rail Installation (Continued)

Step 16: Place Top Post Backer Plate

- Measure up from the top of the uppermost rod connector **3-1/2"** and mark the post.
- Align the bottom of the backer plate with the mark made and fasten stair backer plate to post using provided self-drilling screws.

Note: Measurement based off typical 35° stair angle



Step 17: Place Lower Post Backer Plate

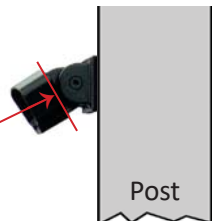
- Measure up from the top of the uppermost rod connector **2-5/8"** and mark the post.
- Align the bottom of the backer plate with the mark made and fasten stair backer plate to post using provided self-drilling screws.

Note: Measurement based off typical 35° stair angle

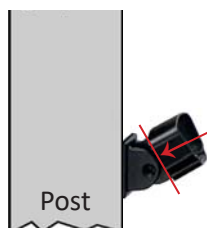


Step 18: Determine Length of Top Rail

- With the stair brackets temporarily installed on the top and bottom posts, measure the distance from the back of the bracket cups and deduct 1/2" from that length. (1/2" accounts for bracket wall thickness, 1/4" each)
- Cut your top rail using a fine tooth carbide blade.
All cut ends must be painted to prevent oxidation.



Measure distance between
Stair Top Rail Brackets.
Less 1/2" to account for
bracket wall thickness



Stair Rail Installation (Continued)

Step 19: Temporarily Place Top Rail

- Temporarily place the top rail with brackets into the backer plates using the screws to pin the top rail in place into the backer plates
- With intermediate support plumb, determine the location of the intermediate support shoe on the top rail and mark each side using a pencil.



Step 20: Mount Support Shoe to Top Rail

- Part A: Align the Support Shoe with the marks made in Step 19. Then mark the hole locations with a pencil.
- Part B: Pre-drill holes at the marks made in Part A
- Part C: Ensure Shoe is angled appropriately then fasten to top rail using the provided self-drilling screws.



Step 21: Finishing Touches

- Place the top rail into the brackets with the support shoe sliding onto the intermediate support.
- Fasten all remaining screws and set screws.
2.5 mm allen wrench for intermediate support
3/32 allen wrench (included) for rod connectors
- Install post cap and 2 pc. skirt.

Installed Cap



Installed Skirt





WWW.DEKPROMFG.COM

Marketed and Distributed by:

