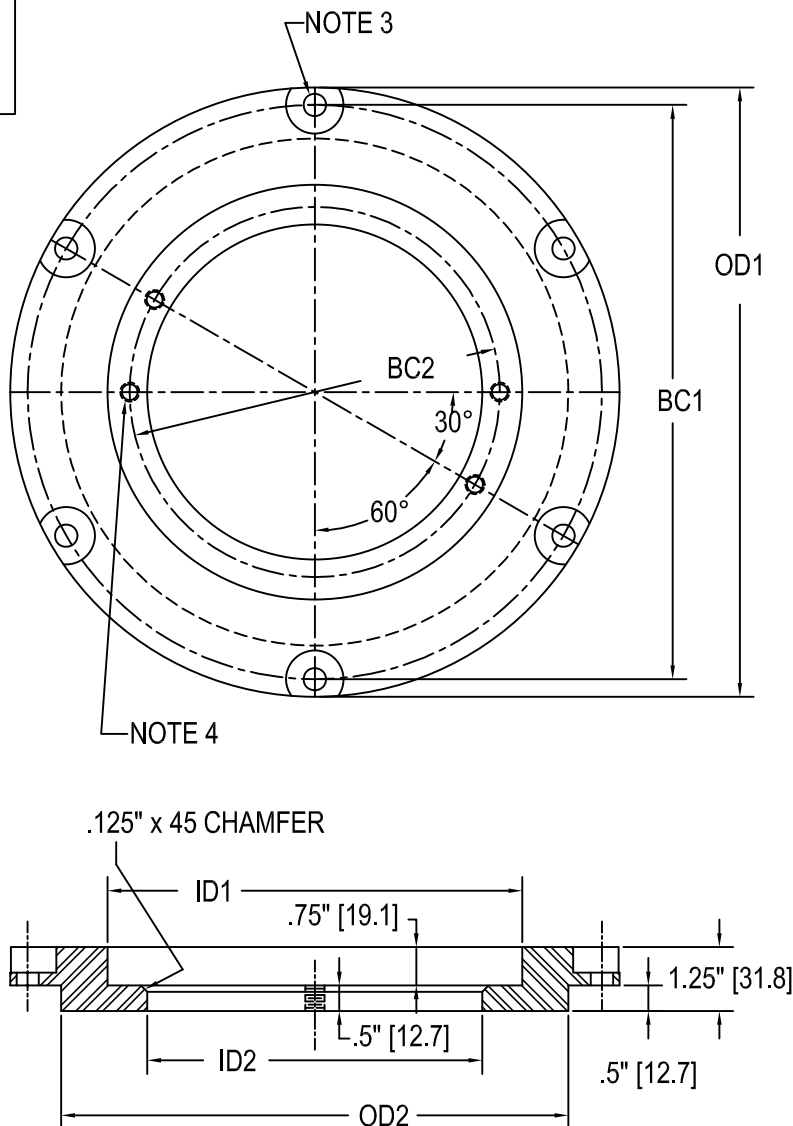


AA1228-20 Adapter Plate

Adapter Plate For 12" L-868 Base to 8" Inset Light

1. Approved and Certified to FAA Advisory Circular AC150/5345-42F
Size: B=12"
2. Adapter Plates are galvanized to ASTM-A123/A123M-02
3. (6) 7/16" Ø equally spaced, thru holes with 1 1/8" Ø x 1/2" deep counter bore
4. Standard Plate: (4) 3/8"-16 tapped holes
* Metric Plate: (4) M10-1.5 tapped holes
5. Standard Adapter Plates are shipped with:
 - (4) 3/8"-16 x 1 1/4" SS hex head bolts (10650202)
 - (4) 3/8", 2 piece locking washers (10681103)
 - (1) Bolt Set (6100) containing:
 - (6) 3/8"-16 x 1" SS hex head bolts (10650198)
 - (6) 3/8", 2 piece locking washers (10681103)
- * Metric Adapter Plates are shipped with:
 - (4) M10-1.5 x 30mm SS hex head bolts (10652820)
 - (4) 3/8", 2 piece locking washers (10681103)
 - (1) Bolt Set (6100) containing:
 - (6) 3/8"-16 x 1" SS hex head bolts (10650198)
 - (6) 3/8", 2 piece locking washers (10681103)



Add "M" to the end of the part number to note Metric Adapter Plate *

TYPE	OD1	BC1	OD2	ID1	BC2	ID2
AA122820	11.938"	11.25"	9.938"	8.125"	7.25"	6.563"
12" L868B	[303.2]	[285.8]	[252.4]	[206.4]	[184.2]	[166.7]

[] = dimensions in metrics; mm