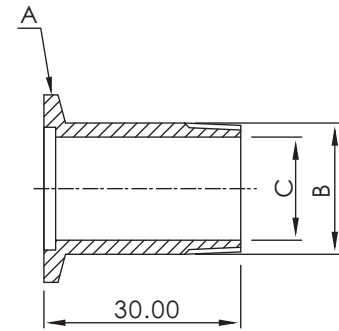


# Adaptors



## DN FLANGES to BSPT ADAPTORS

\*Material: SS 304L

Part Number	Size	A	B	C	BSPT
AD-BSPT-DN10x025	DN10-¼"	DN10	13.16	9.00	¼"x19BSPT
AD-BSPT-DN10x038	DN10-⅜"	DN10	16.66	10.00	⅜"x19BSPT
AD-BSPT-DN16x050	DN16-½"	DN16	20.96	16.00	½"x14BSPT
AD-BSPT-DN25x038	DN25-⅜"	DN25	16.66	10.00	⅜"x19BSPT
AD-BSPT-DN25x075	DN25-¾"	DN25	26.44	20.00	¾"x14BSPT
AD-BSPT-DN25x100	DN25-1"	DN25	33.25	24.00	1"x11BSPT
AD-BSPT-DN40x125	DN40-1¼"	DN40	41.91	35.00	1¼"x11BSPT
AD-BSPT-DN40x150	DN40-1½"	DN40	47.80	41.00	1½"x11BSPT
AD-BSPT-DN50x200	DN50-2"	DN50	59.61	51.00	2"x11BSPT

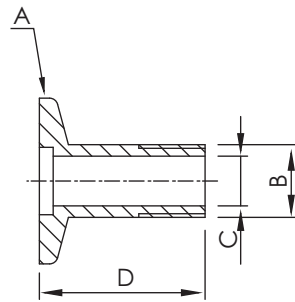


Figure 1

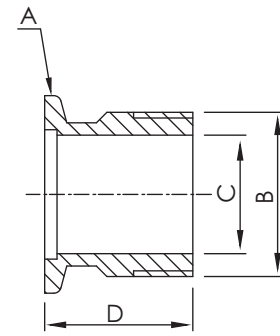


Figure 2

## DN FLANGES to BSP ADAPTORS

\*Material: SS 304L

Part Number	Size	Figure	A	B	C	D	BSP
AD-BSP-DN10x025	DN10-¼"	1	DN10	13.16	9.00	30.00	¼"x19BSP
AD-BSP-DN10x038	DN10-⅜"	1	DN10	16.66	10.00	30.00	⅜"x19BSP
AD-BSP-DN16x025	DN16-¼"	1	DN16	13.16	9.00	30.00	¼"x19BSP
AD-BSP-DN16x050	DN16-½"	1	DN16	20.96	16.00	30.00	½"x14BSP
AD-BSP-DN25x050	DN25-½"	1	DN25	20.96	16.00	30.00	½"x14BSP
AD-BSP-DN25x075	DN25-¾"	1	DN25	26.44	20.00	30.00	¾"x14BSP
AD-BSP-DN25x100	DN25-1"	2	DN25	33.25	24.00	30.00	1"x11BSP
AD-BSP-DN40x025	DN40-¼"	1	DN40	13.16	9.00	30.00	¼"x19BSP
AD-BSP-DN40x050	DN40-½"	1	DN40	20.96	16.00	30.00	½"x14BSP
AD-BSP-DN40x125	DN40-1¼"	1	DN40	41.91	35.00	30.00	1¼"x11BSP
AD-BSP-DN40x150	DN40-1½"	2	DN40	47.80	41.00	30.00	1½"x11BSP
AD-BSP-DN50x200	DN50-2"	1	DN50	59.61	51.00	35.00	2"x11BSP

AD