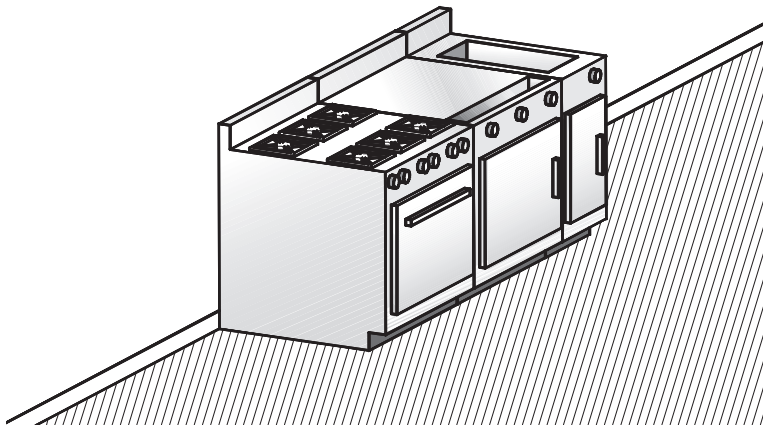
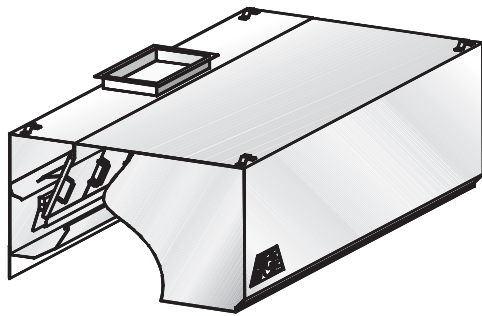


Model **GED**

Centrifugal-type hood

E




Suggested model

- Institutional kitchens (hospitals, schools, hotels, etc.)

Description :

HCE wall-type exhaust hood with adjustable extraction baffles to balance exhaust in the hood. Model GED.

Specifications :

- Constructed of sturdy 18-gauge (1.2 mm) stainless steel
- Available in lengths of 3' 0" to 16' 0" (914 mm to 4,877 mm)
- Adjustable extraction baffles
- Removable, dishwasher-safe extraction baffles
- Easy installation
- Listed 
- Many options available (see reverse)
- Quick delivery

Construction :

Exposed hood surface: type 430 stainless steel (304 optional) with #4 finish (brushed). Non-exposed hood surface: stainless steel with #2B finish. Minimum 18-gauge (1.2 mm) thickness. All visible welded joints are polished to match original finish. To meet NFPA- 96 requirements.

Installation :

Suspension (recommended height)

The hood should be installed 6' 6" (1,981 mm) from the floor. Hanging brackets are welded at all four corners.

Semi-combustible materials

A clearance of 3" (76 mm) is required when the hood is in contact with semi-combustible materials. As per NFPA-96 standards, a stainless steel spacer will be required.

Enclosure panels (optional) :

The space between the top of the hood and the ceiling may be closed with stainless steel panels in the same finish as the hood.

Electrical :

Junction box and pre-wiring for lighting system may be factory installed if required.

| Length | | 260 CFM (125 L/S) / Linear Ft. * | | Collar/Opening 10" (254 mm) x _____ | |
|--------|------|----------------------------------|------|--|---------|
| Feet | mm | CFM | L/S | Inches | mm |
| 3'-6" | 1068 | 925 | 435 | 10 | 254 |
| 4'-0" | 1220 | 1050 | 495 | 12 | 330 |
| 4'-6" | 1372 | 1200 | 565 | 12 | 330 |
| 5'-0" | 1524 | 1300 | 615 | 14 | 356 |
| 5'-6" | 1676 | 1450 | 685 | 16 | 406 |
| 6'-0" | 1828 | 1575 | 745 | 18 | 430 |
| 6'-6" | 1981 | 1700 | 805 | 18 | 430 |
| 7'-0" | 2134 | 1850 | 875 | 20 | 508 |
| 7'-6" | 2286 | 1975 | 935 | 22 | 559 |
| 8'-0" | 2438 | 2100 | 990 | 24 | 610 |
| 8'-6" | 2590 | 2225 | 1050 | 26 | 660 |
| 9'-0" | 2743 | 2350 | 1110 | 26 | 660 |
| 9'-6" | 2895 | 2500 | 1180 | 28 | 711 |
| 10'-0" | 3048 | 2625 | 1240 | 30 | 762 |
| 10'-6" | 3200 | 2750 | 1300 | 32 | 822 |
| 11'-0" | 3352 | 2900 | 1370 | (2) 16 | (2) 406 |
| 11'-6" | 3505 | 3025 | 1430 | (2) 16 | (2) 406 |
| 12'-0" | 3657 | 3150 | 1485 | (2) 18 | (2) 430 |
| 12'-6" | 3810 | 3275 | 1545 | (2) 18 | (2) 430 |
| 13'-0" | 3962 | 3400 | 1605 | (2) 18 | (2) 430 |
| 13'-6" | 4115 | 3550 | 1675 | (2) 20 | (2) 508 |
| 14'-0" | 4267 | 3700 | 1745 | (2) 20 | (2) 508 |
| 14'-6" | 4420 | 3825 | 1805 | (2) 22 | (2) 559 |
| 15'-0" | 4572 | 3950 | 1865 | (2) 22 | (2) 559 |
| 15'-6" | 4724 | 4075 | 1925 | (2) 22 | (2) 559 |
| 16'-0" | 4877 | 4200 | 1985 | (2) 24 | (2) 610 |

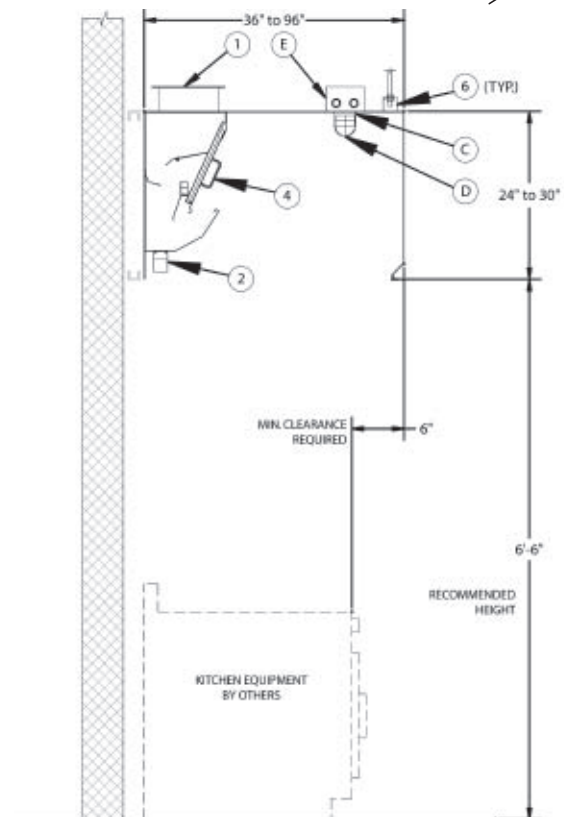
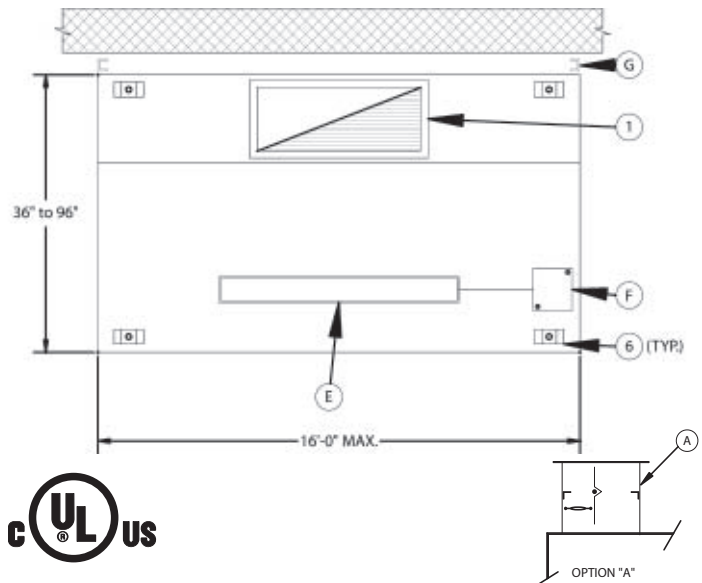
* Exhaust for 42" (1,065 mm) and 48" (1,220 mm)-deep hoods. Contact us for assistance to determine the appropriate air volume.

| | Exhaust VOLUME (CFM / Lin. Ft.) | Internal pressure loss (IN / H ₂ O) | Exhaust VOLUME (L/S per linear metre) | Internal pressure loss (Pa) |
|----------------|---------------------------------|--|---------------------------------------|-----------------------------|
| Light cooking | 175 | 0,8 | 270 | 200 |
| Medium cooking | 260 | 1,0 | 400 | 250 |
| Heavy cooking | 350 | 1,65 | 540 | 412 |

Optional accessories: (see section "K" for details)

| | |
|----------|---|
| A | cULus-listed exhaust collar with fire damper |
| B | cULus-listed exhaust collar with balancing damper |
| C | Incandescent lights (Quantity recommended: (1) light per 5 linear feet of hood) |
| D | Wire guard for incandescent lights |
| E | 36" or 48" fluorescent lights (Quantity recommended: (1) light per 8 linear feet of hood) |
| F | Junction box and pre-wiring for lighting |
| G | 3" spacer for clearance to meet NFPA- 96 requirements |
| H | Enclosure panels, stainless steel with #4 finish, between hood and ceiling |
| I | PAC-02 programmable control panel |
| J | End skirts should be used to maximize hood performance |

E Centrifugal-type hood



Accessories included:

| | |
|----------|------------------------------|
| 1 | Exhaust collar (3" high) |
| 2 | Used grease receptacle |
| 4 | Removable extraction baffles |
| 6 | Hanging brackets |