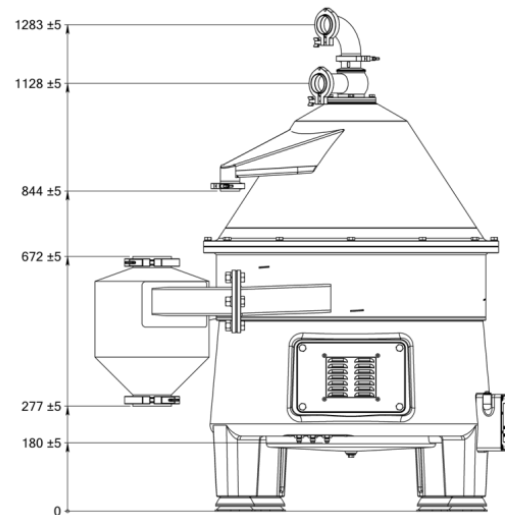
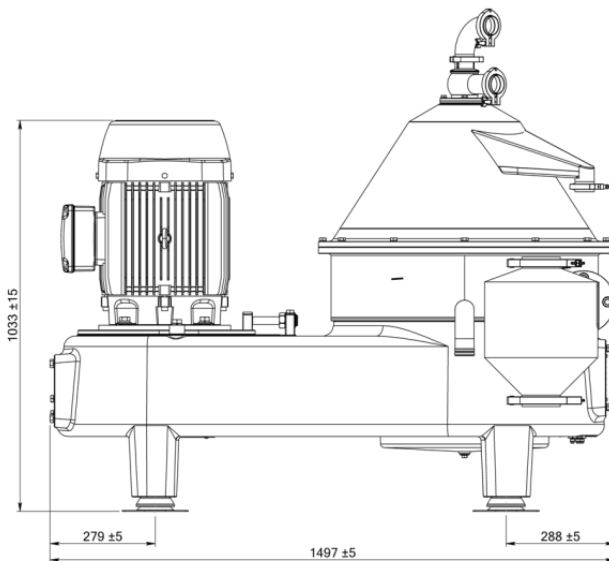
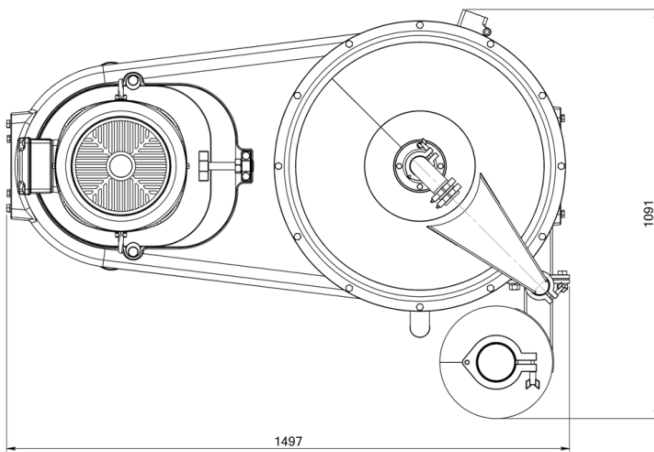




Separator Quantum 15

Specifications

Design:	Self cleaning 3 phase
Capacity:	Up to 7m ³ /hour
Max Bowl speed:	6500rpm
G-Force:	9650g
Power:	Motor -22kW
Materials/Finish:	Bowl: Duplex Stainless Steel/Other wetted parts: 316 Stainless Steel
Features:	Small, compact design



Contact Us

USA

2511 N Frazier Street
 Conroe
 Texas 77303
 Tel: +1281 290 9229
 Email: sales@gtechus.com
 Website: www.gtechus.com
 ISO9001 registered

New Zealand

P.O. Box 29 · Kaiapoi 7644
 21 Empire Rd. · Kainga
 Christchurch 8083 New Zealand
 Tel: +64 3 323 6151
 Email: sales@gtechnz.com
 Website: www.gtechnz.com
 ISO9001 registered

Australia

14A Nicholas Drive,
 Dandenong 3175
 Victoria, Australia
 Tel: +61 3 9768 3866
 Email: sales@gtechau.com
 Website: www.gtech-australia.com



ISO 9001