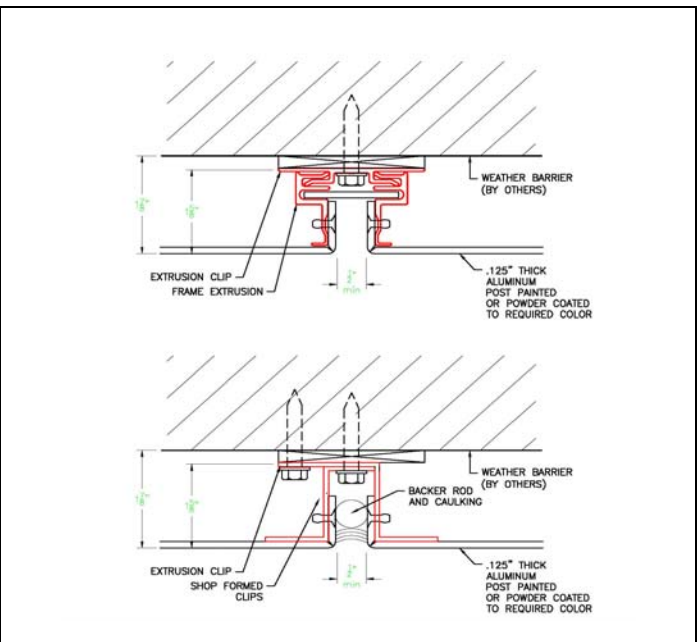
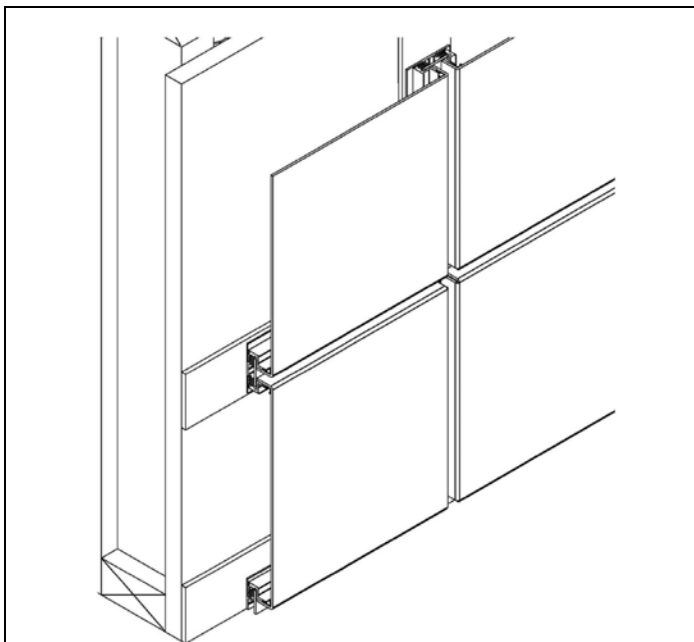


PRODUCT DATA SHEET

The D7-125 is a single skin, route and return 1/8" aluminum panel system using either filler strips, caulking or a pencil line reveal between panels. This design allows us to provide a solid formed finished look in virtually any shape or color. We are capable of welding archways, radius formations and almost any shape the buildings structure may take. The system uses extruded aluminum framing and wall mounted clips for a secure attachment to your substrate. For a truly custom look, choose the D7-125.

D7-125 Features and Information:

System:	Progressive Installation
Joint Type	Dry Joint with 1/2" reveal with Filler Strips Wet Joint with 1/2" reveal and sealant Tight Joint System < 1/8" between panels
Underlayment	Waterproofing Weather Barrier Required
Required Substrate	Minimum of 5/8" Plywood waterproofed prior to installation
Radius Surfaces	YES, fully welded during the fabrication process
System Depth	1-5/8" Minimum – 1-7/8" Design Custom Depths Available
Required Maintenance	Minimal : Clean with low pressure water and mild detergents
Thermal Expansion	YES
Price	Ranges with complexity of the project
Weather Sealed	NO
Installation Rating	Easy – Difficult depending on complexity of panels and substrate





*D7-125 SINGLE SKIN
ALUMINUM PANEL
RAIN SCREEN SYSTEM*

Mtls., LLC.

Architectural Sheet Metal

<p>Material Thickness:</p> <p>1/8" Sheet Aluminum 3003 Standard Post Painting 5005 or 5053 Anodizing and Powder Coating</p>	<p>Base Material Sizing:</p> <p>48" x 120" 60" x 120" 60" x 144" Custom Sizes also available</p>
<p>System Depth:</p> <p>1-5/8" Minimum - Design 1-7/8" Custom Systems Available</p>	<p>Panel Extrusions:</p> <p>Aluminum Alloy: 6063-T6 Finish .080" 3003 Shop Formed Clips</p>
<p>Joint Width:</p> <p>1/2" Standard Customer Systems Available</p>	<p>Fabrication Tolerances:</p> <p>Width: 0.08" nominal Length: 0.08" nominal Panel Depth: 0.040" nominal Square: 0.08" nominal</p>