

**USER'S
MANUAL**

ATHERTON

TFT LCD MONITOR

**MODEL: ADE-217N2
ADE-219N2
ADE-221W2**

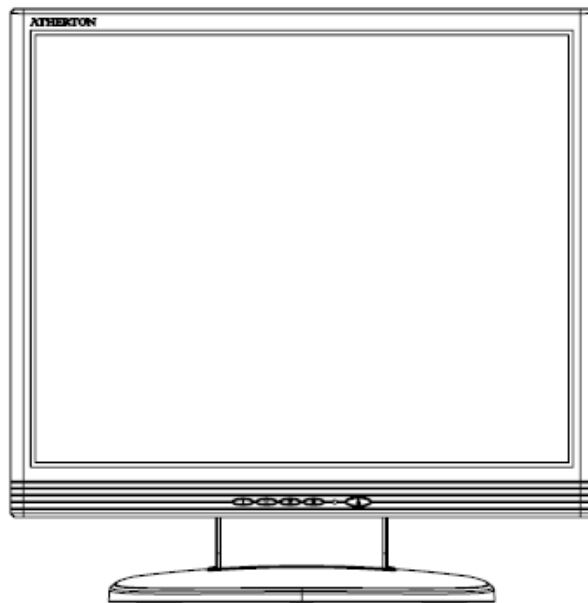


TABLE OF CONTENTS

● FCC information -----	3
● CE information -----	3
● Safety Precautions -----	3
1. Scope -----	5
2. Functional specification -----	5
3. Controls and indicators -----	7
4. OSD Menu -----	8
5. Regulatory Agency -----	19
6. Reliability -----	19
7. Mechanical -----	20

FCC INFORMATION

This equipment has been tested and found to comply with the limits for a class B digital device, pursuant to Part 15 of the FCC Rules. These limits are designed to provide reasonable protection against harmful interference in a residential installation. This equipment generates uses and can radiate radio frequency energy and, if not installed and used in accordance with the instructions, may cause harmful interference to radio communications.

However, there is no guarantee that interference will not occur in a particular installation. If this equipment does cause harmful interference to radio or television reception, which can be determined by turning the equipment off and on, the user is encouraged to try to correct the interference by one or more of the following measures:

Reorient or relocate the receiving antenna.

Increase the separation between the equipment and receiver.

Connect the equipment into an outlet on a circuit different from that to which the receiver is connected.

- Consult the dealer or an experienced radio/TV technician for help.

Shielded interface cables and A.C. power cord, if any, must be used in order to comply with emission limits.

Changes or modifications not expressly approved by the party responsible for compliance could void the user's authority to operate the equipment.

CE INFORMATION

The product must be installed according to the currently valid installation regulations for EMC to guarantee the designed use and to prevent EMC problems.

The device supplied with this manual is according to the EC, EMC Directive, 2004/108/EC & LVD 2006/95/EC

SAFETY PRECAUTIONS

1. Do not modify the three-prong grounding type monitor power plug in any way.
2. Operate this unit only from the type of power source indicated on the label.
3. Do not block or cover ventilation openings on the back or bottom of the monitor cabinet.
4. Do not place this monitor near a radiator or heating vent.
5. Do not push objects of any kind through cabinet openings. This may result in fire or electrical shock.
6. Before adding attachments always ask a service technician to perform routine safety tests to determine that equipment is in safe operating condition. Ground potential tests should be part of the routine safety check made by the service technician.
7. Do not place monitor on an unstable cart, stand, or shelf where it may fall and injure personnel or damage equipment.

8. Route power cords so that they cannot be walked upon or tripped over. Do not allow anything to rest on the power cord.
9. Do not install monitor in wet areas, or where it may be exposed to rain or water. Do not spill liquid of any kind on the unit.
10. Unplug the power cord from the unit before cleaning the display. Use only a damp cloth. Do not use alcohol, spirits, or ammonia to clean the display. **DO NOT ATTEMPT TO CLEAN THE INTERIOR OF THIS UNIT- THIS ACTION MUST BE PERFORMED BY THE SERVICE TECHNICIAN AS REQUIRED DURING NORMAL MAINTENANCE.**
11. Refer all servicing to qualified service personnel. **REMOVAL OF BACK COVER BY UNAUTHORIZED PERSONNEL MAY EXPOSE THE USER TO DANGEROUS VOLTAGES OR OTHER HAZARDS.**
12. Unplug the unit immediately and notify the service technician.
 - A. If liquid has been spilled into the display or the display has been exposed to rain or water.
 - B. If the unit has been dropped or the cabinet damaged.
 - C. If fuses continue to blow.
 - D. If the power cord is damaged or frayed.
 - E. If a distinct change from normal operation is apparent.

When replacement parts are required, be sure that the service technician uses components specified by the manufacturer which have the same characteristics as the original parts. **UNAUTHORIZED SUBSTITUTIONS MAY RESULT IN FIRE, ELECTRICAL SHOCK OR OTHER HAZARDS.**

Upon completion of any service or repairs, ask the technician to perform safety checks to determine that the equipment is in safe operating condition.

WARNING:

- * **SERIOUS SHOCK HAZARDS EXIST WITHIN THE COVERS OF THIS MONITOR. DO NOT OPEN THE COVERS UNDER ANY CIRCUMSTANCES, THERE ARE NO USER SERVICEABLE COMPONENTS INSIDE**
- * **CAUTION - USE RECOMMENDED MOUNTING APPARATUS TO AVOID RISK OF INJURY**

1. Scope

This specification is used to define the performance of ADE-200N2 series color TFT LCD (LED Backlit) monitor. This system also supports both video input and PC input. In video input mode, the system can automatically detect the NTSC signal and PAL signal. In PC mode, this system can support up to 1280 x 1024 VESA standard.

This system provides frame buffer style de-interlace mechanism and 3D comb filter to implement the high quality video pictures. The user friendly OSD menu is also provided to make this system easy to operate.

2. Functional Specifications

2.1 Power Supply

The power supply spec is listed below,

AC INPUT (Power Adaptor)

* AC power input range: 100 – 240 V, 50-60Hz, 1.5Arms max.

* Power efficiency: $\geq 80\%$

DC OUTPUT (Power Adaptor)

* DC power output plug: 12V +/-10% 3A max.

DC INPUT (Monitor)

* DC power input jack: 12V +/-10% 2.4A min. (ADE-217N2)

2.5A min. (ADE-219N2 & ADE-221W2)

2.2 Video Characteristics

Composite Video (CVBS): 1.0 Vp-p (0.5 – 1.5Vpp), Automatic switching from 75 Ω unbalanced termination to Hi-Z with loop-through operation.

Y/C (S-video): 1.0 Vp-p (0.5 – 1.5Vpp), Automatic switching from 75 Ω unbalanced termination to Hi-Z with loop-through operation.

2.3 VGA Input

Analog RGB: 0.707 Vrms.

Support VESA Standard Timing

2.4 HDMI Input

HDMI 1.3 Compatible Interface

HDMI Timing Modes

480i / 480p

576i / 576p

720p

1080i / 1080p

2.5 Audio Input

Signal Level: 1.0 Vrms

2.6 Environmental

● Temperature

Operating: 0°C to +40°C; 32°F to 104°F

Storage: -20°C to +60°C; -4°F to 140°F

● Humidity

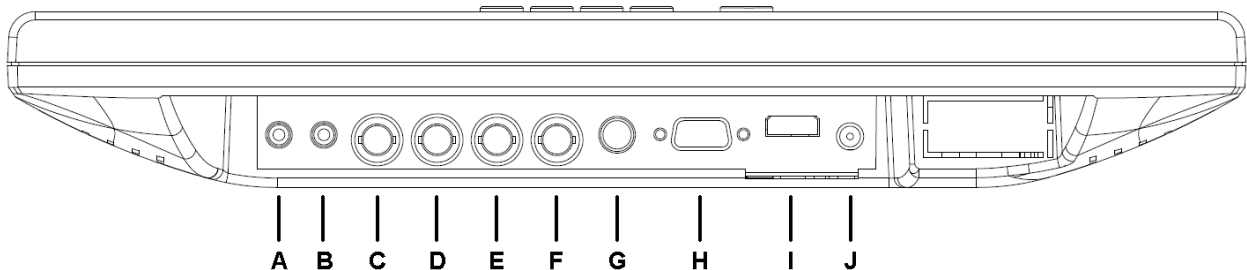
Operating: 10% to 85% (non-condensing)

Storage: 10% to 95% (non-condensing)

2.7 EDID

This series of displays support EDID, but does not support DDC2B function.

2.8 Connectors



VIDEO

A/B AUDIO: Stereo Phone Jack x2, OUT x1, IN x1

C/D CVBS 1: BNC x2, OUT x1, IN x1

E/F CVBS 2: BNC x2, OUT x1, IN x1

G S-VIDEO (Y/C): Mini-DIN 4 pins, input only

I HDMI: HDMI connector

PC

H VGA: D-SUB 15 pins connector

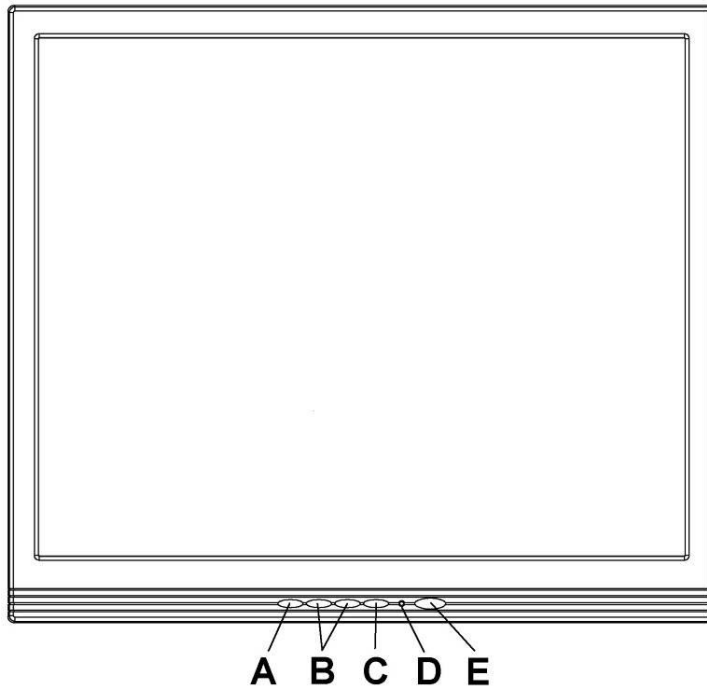
POWER

J DC JACK: DC12V in, 5.5Ø / 2.5Ø

Set up sequence:

1. Make sure the power of PC and/or Video source were turned off.
 2. Plug the power adapter, Video signal and VGA cable to monitor.
 3. Turns the PC and/or Video source power on.
 4. Plug the AC power cord onto power adapter.
- (Use reverse sequence to teardown the monitor)

3. Controls and indicators



A. “i” Channel button

- Press the button to select input signal.

B. “-“ / “+” buttons

- Press the buttons to scrolling the cursor to desired function.
- Press the buttons to adjust the value of selected function in sub OSD menu.

C. “M” Menu button

- Press the button to show the OSD main menu.
- As a confirmation key during the OSD operation.

D. POWER LED Indication

- Green - Power on
- Orange - Power off (Stand by)
- Flash Orange - Sleep mode (PC mode only)
- Flash Green - Freeze status

E. POWER button

- Press the button to turn ON or turn OFF the monitor.

4. OSD Menu

Hot key :



VOLUME : Press **-** button to enter the function and press **- / +** buttons to adjust the volume value, the press **MENU** button to exit OSD menu..



FREEZE : Press **+** button to enter the function and press any button to release the function.

CHANNEL : Press **CHANNEL** button to enter the function and press **CHANNEL** button or **- / +** buttons to select the highlight item, the press **MENU** button to enter.



KEY LOCK : Press **MENU** button at the 10 sec to enable Key Lock



KEY UN-LOCK : Press **MENU** button at the 10 sec to disable Key Lock

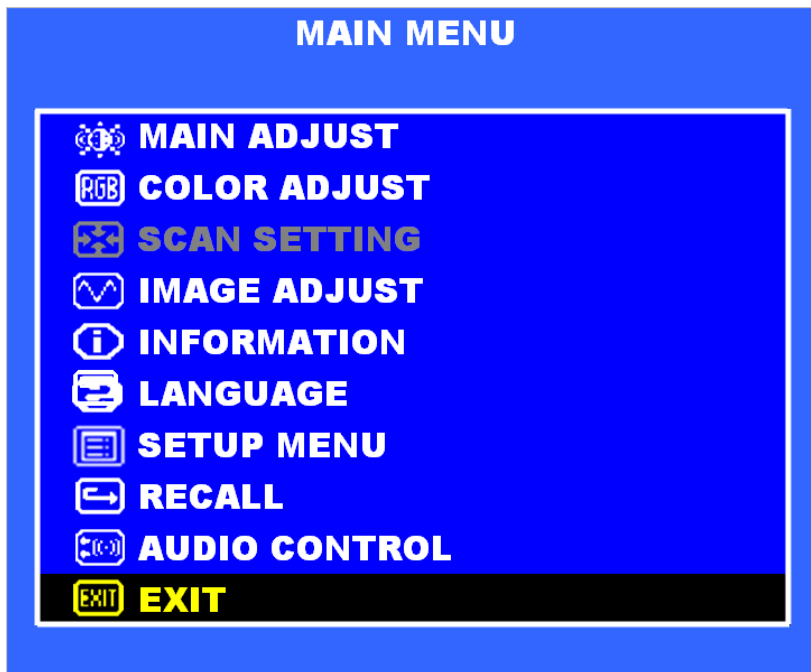


PC mode :

MAIN ADJUST, COLOR ADJUST, IMAGE ADJUST (VGA only), INFORMATION, LANGUAGE, SETUP MENU, RECALL, AUDIO CONTROL, EXIT

Press MENU button to enable MAIN MENU.

Press - / + buttons to select an item, then Press MENU button to enter the function or next sub menu.





MAIN ADJUST :

MAIN ADJUST	
VIVID MODE	USER
BRIGHTNESS	50
CONTRAST	50
BACKLIGHT	100
DLC	ENABLE
VOLUME	50
EXIT	

1. Press **- / +** buttons to select an item, then press **MENU** button to Enter adjust item or function.
2. Press **- / +** buttons to adjust the value, then press **MENU** button to Exit adjusts.



VIVID MODE : Select the VIVID MODE(0~3 and USER)
0: NORMAL, 1: TEXT, 2: PHOTO, 3: MOVIE



BRIGHTNESS : Adjust the brightness value



CONTRAST : Adjust the contrast value



BACKLIGHT : Adjust the backlight value



DLC : Dynamic Luminance Control - - DISABLE / ENABLE



VOLUME : Adjust the volume value



EXIT : Press **MENU** button to return to the main menu



COLOR ADJUST : Press **MENU** button to enter the sub-menu

Set the color temperature of the LCD monitor for the CIE coordinate 9300°k or 6500°k or USER MODE



1. Press **- / +** buttons to select an item
2. Press **MENU** button to select adjust item,
3. Press **- / +** buttons to adjust the value
4. Press **MENU** button to return



RED : Adjust the RED value for user mode.



GREEN : Adjust the GREEN value for user mode.



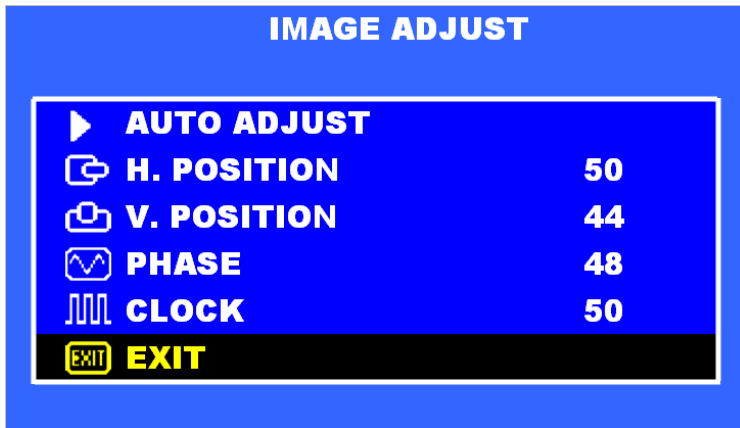
BLUE : Adjust the BLUE value for user mode.



EXIT : Press **MENU** button to return to the main menu



IMAGE ADJUST (VGA only) : Press **MENU** button to enter the sub-menu



1. Press **- / +** buttons to select an item
2. Press **MENU** button to select adjust item
3. Press **- / +** buttons to adjust the value
4. Press **MENU** button to return



AUTO ADJUST : Press **MENU** buttons to auto adjust the H. Position, V. Position, Phase, Clock



H. POSITION : Adjust the horizontal position value



V. POSITION : Adjust the vertical position value



PHASE : Adjust the phase value



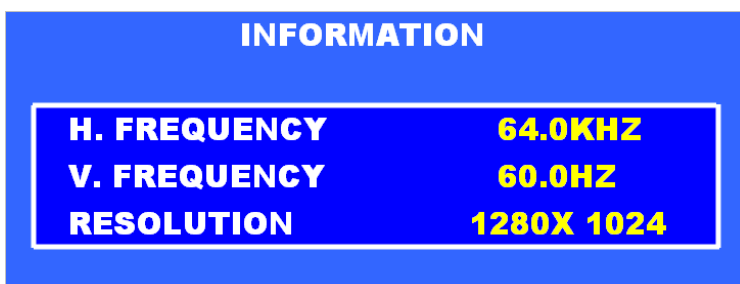
CLOCK : Adjust the clock value



EXIT : Press **MENU** button to return to the main menu



INFORMATION : Press **MENU** button to get the VGA timing information





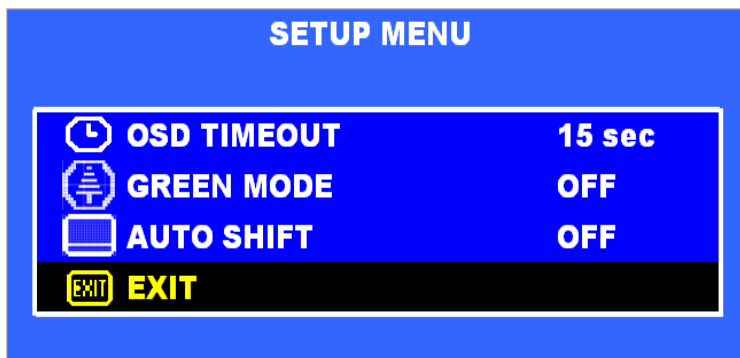
LANGUAGE : Press **MENU** button to enter the sub-menu



1. Press **- / +** buttons to select language
2. Press **MENU** button to enter



SETUP MENU : Press **MENU** button to enter the sub-menu



1. Press **- / +** buttons to select an item
2. Press **MENU** button to select adjust item
3. Press **- / +** buttons to adjust the value
4. Press **MENU** button to return



OSD TIMEOUT : Setting the OSD timeout (5~120 sec)



GREEN MODE : Off or On (5 min ~ 10 min)

OFF – No function

ON – Screen will reduce back light to 80% within (5 min ~ 10 min)

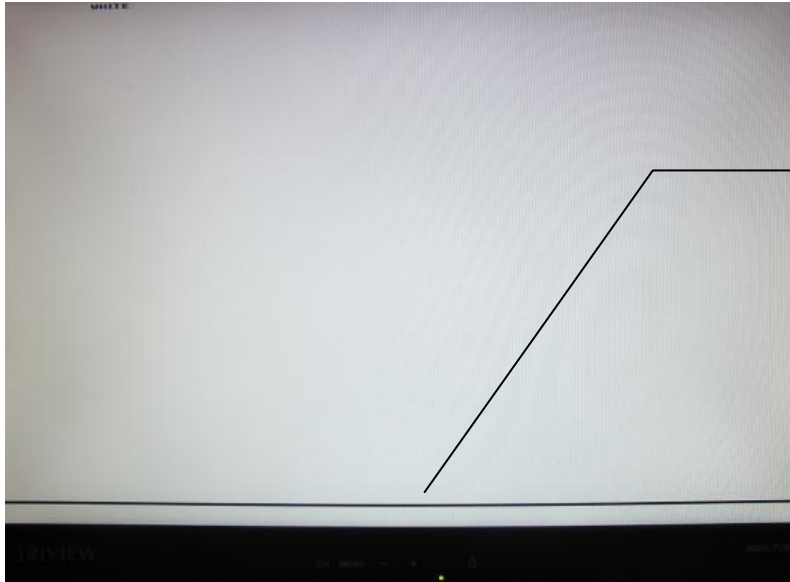
Screen will back to normal when any buttons being touched.



AUTO SHIFT : Adjust AUTO SHIFT ON/OFF

OFF – No Function

ON – Every one hour there will one scan line from bottom to top to prevent panel sticking.



AUTO SHIFT line



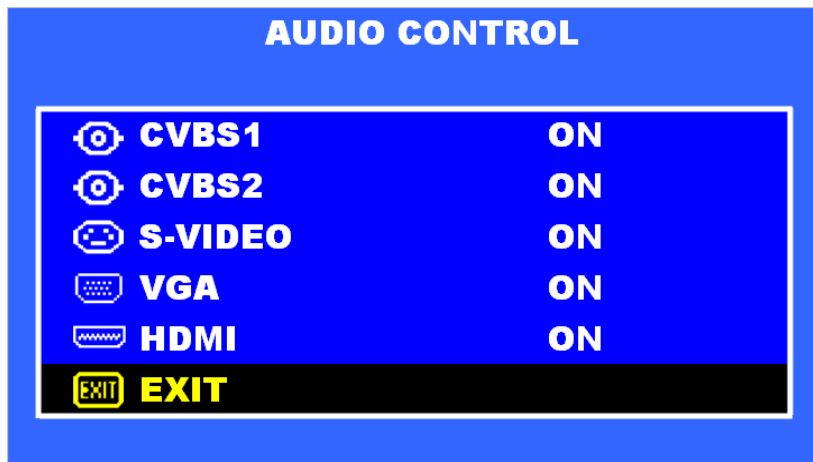
EXIT : Press **MENU** button to return to the main menu



RECALL : Recall the Brightness, Contrast, Sharpness, Saturation, Tint, Volume value of the mode data and DLC = ENABLE, Vivid Mode = USER, OSD Timeout = 15, Green Mode = OFF, Auto Shift = OFF, then press **MENU** button to return to the main menu



AUDIO CONTROL : Press **MENU** button to enter the sub-menu



1. Press **- / +** buttons to select an item
2. Press **MENU** button to select adjust item
3. Press **- / +** buttons to adjust the value(ON or OFF)
4. Press **MENU** button to return



CVBS1 : Setting the audio input source in CVBS1 channel



CVBS2 : Setting the audio input source in CVBS2 channel



S-VIDEO : Setting the audio input source in S-VIDEO channel



VGA : Setting the audio input source in VGA mode



HDMI : Setting the audio input source in HDMI mode



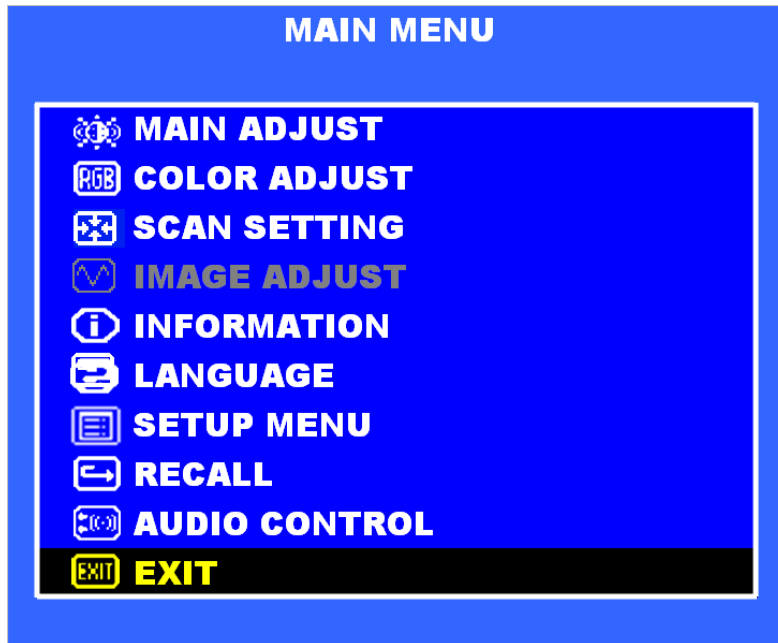
EXIT : Press **MENU** button to return to the main menu

Video/HDMI mode :

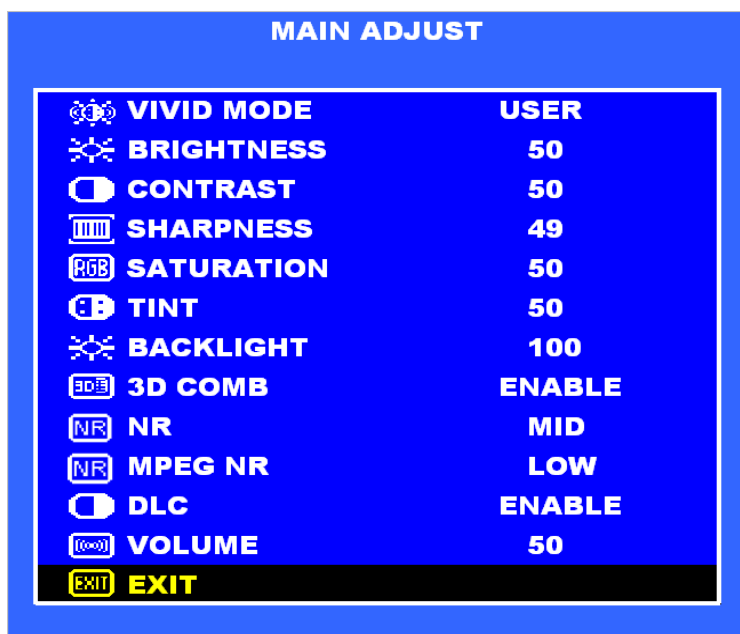
MAIN ADJUST, COLOR ADJUST, SCAN SETTING, INFORMATION, LANGUAGE, SETUP MENU, RECALL, AUDIO CONTROL, EXIT

Press MENU button to enable MAIN MENU.

Press **- / +** buttons to select an item, then Press **MENU** button to enter the function or next sub menu.



MAIN ADJUST :



1. Press **- / +** buttons to select an item
2. Press **MENU** button to select adjust item,
3. Press **- / +** buttons to adjust the value
4. Press **MENU** button to return



VIVID MODE : Select the VIVID MODE (0~3 and USER)
0: NORMAL, 1: TEXT, 2: PHOTO, 3: MOVIE



BRIGHTNESS : Adjust the brightness value



CONTRAST : Adjust the contrast value



SHARPNESS : Adjust the sharpness value



SATURATION : Adjust the saturation value



TINT : Adjust the tint value



BACKLIGHT : Adjust the backlight value



3D COMB FILTER (Video only) : 3D COMB FILTER - - DISABLE / ENABLE



NR : Noise reduction - - LOW / MID / HIGH



MPEG NR : MPEG Noise reduction - - LOW / MID / HIGH



DLC : Dynamic Luminance Control - - DISABLE / ENABLE



VOLUME : Adjust the volume value

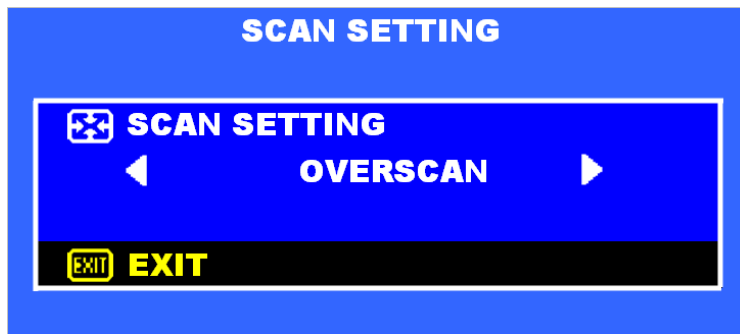


EXIT : Press **MENU** button to return to the main menu

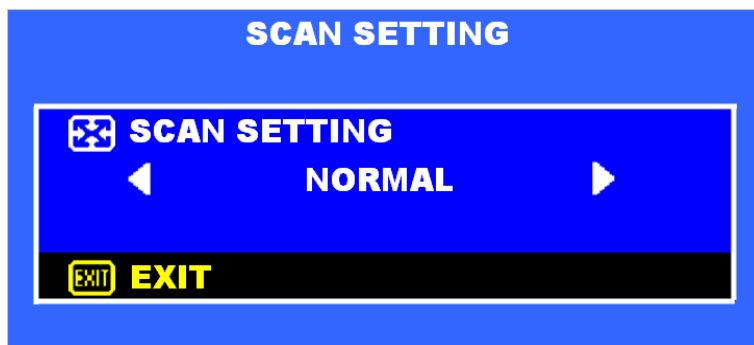


SCAN SETTING : Press **MENU** button to enter the sub-menu

- **Video mode :**



- **HDMI mode (ADE-221W2 only) :**



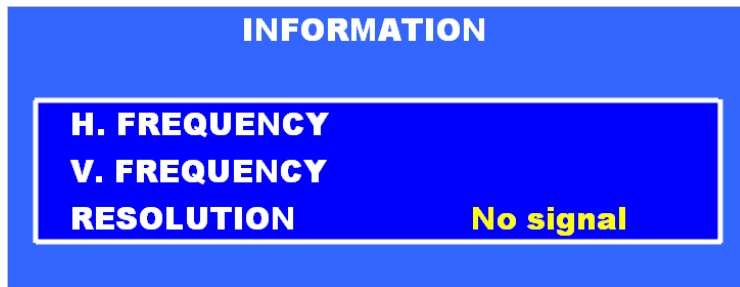
1. Press **- / +** buttons to select an icon
2. Press **MENU** button to select adjust item
3. Press **- / +** buttons to adjust the value
4. Press **MENU** button to return

OVERSCAN : Select scan mode is Over scan, Under scan or 4:3 (ADE-221W2 only)

NORMAL : Select scan mode is NORMAL or 4:3



INFORMATION : Press **MENU** button to get the signal information



RECALL : Recall the Brightness, Contrast, Sharpness, Saturation, Tint, Volume value of the mode data and 3D Comb = ENABLE, NR = MID, MPEG NR = LOW, DLC = ENABLE, Vivid Mode = USER, OSD Timeout = 15, Green Mode = OFF, Auto Shift = OFF, then press **MENU** button to return to the main menu

5. Regulatory Agency

5.1 Safety Approvals

This series design shall meet the standards of the following domestic and foreign agencies:

CE LVD : EN 60950-1:2006+A11:2009+A1:2010+A12:2011

5.2 EMI/EMS Emission Approvals

This series design shall meet following EMI/EMS specifications:

CE COMPLIANCE: EN55022:2010+AC:2011 class B, EN55024:2010,
EN50130-4:2011

6. Reliability

Mean Time Between Failures (MTBF):

MTBF shall be 30,000 hours minimum at 90% confidence level and 100% duty cycle continuous operation at 25⁰C. The calculation shall not include LCD panel.

7. Mechanical

7.1 Cabinet

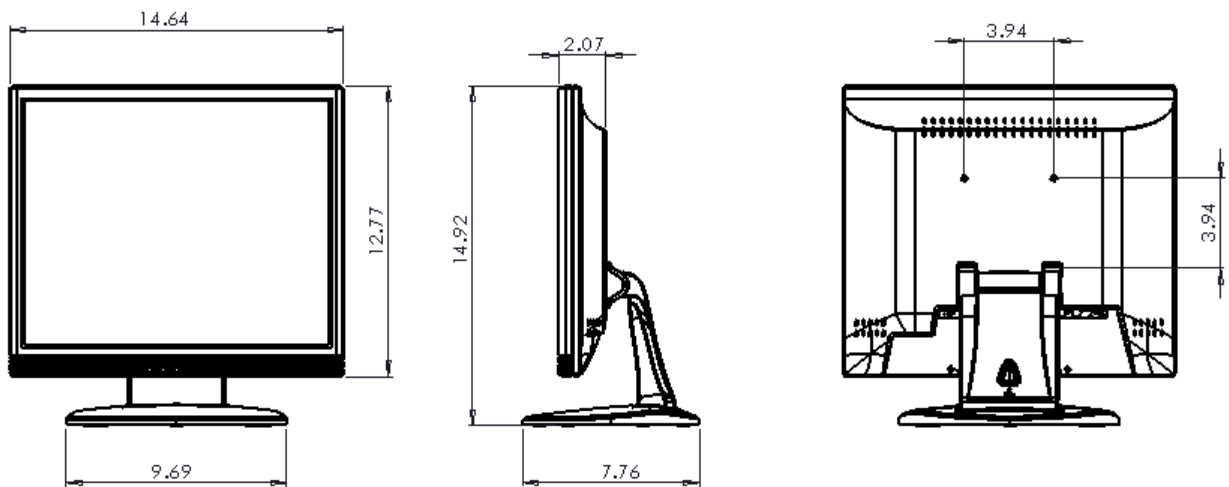
Material: Plastic

Finish: Black

7.2 Dimensions (Physical)

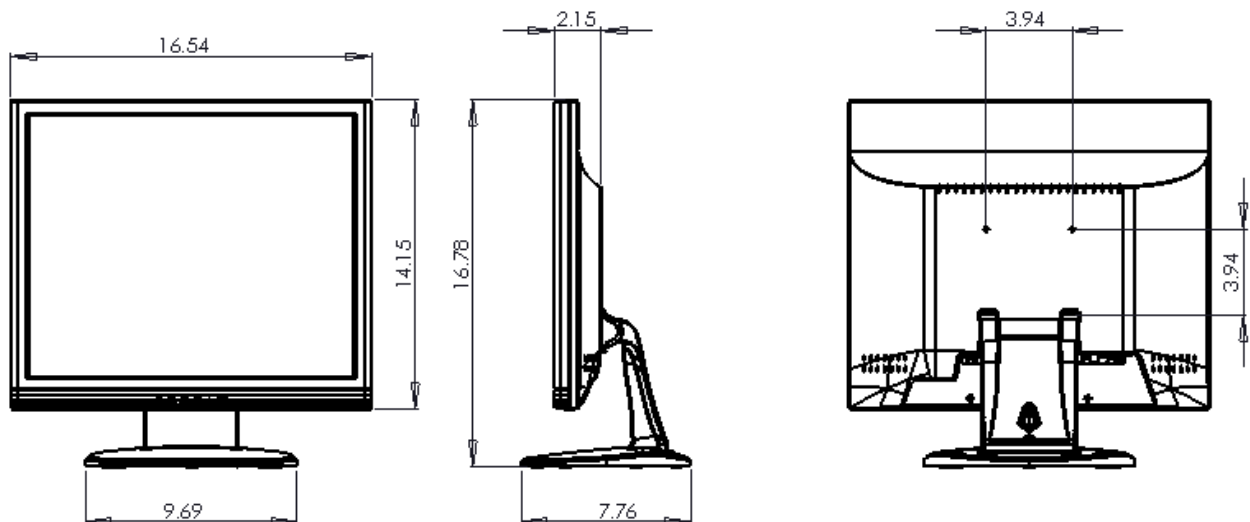
ADE-217N2

Unit : Inch



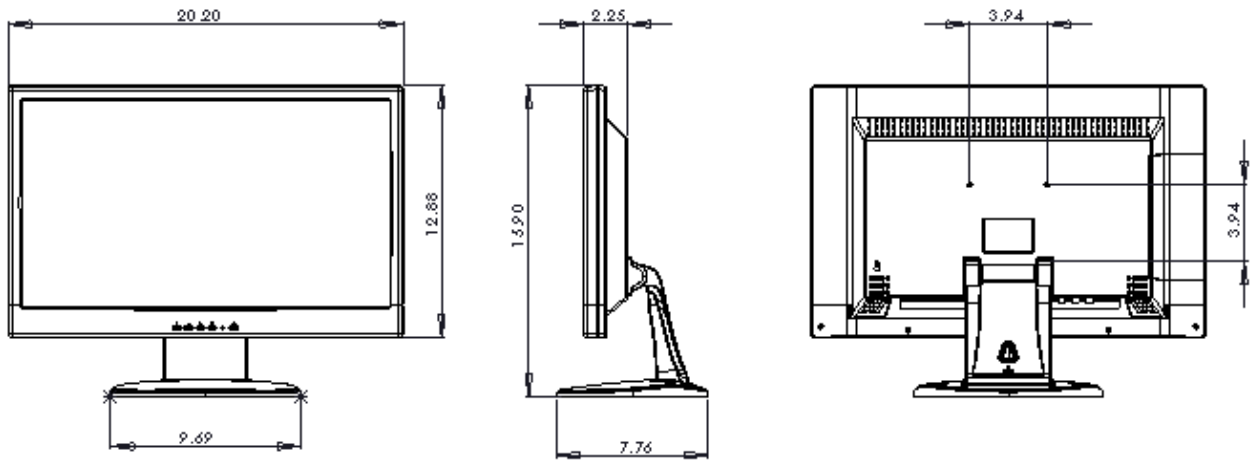
ADE-219N2

Unit : Inch



ADE-221W2

Unit : Inch



- Weight:

Model	kgs	lbs
ADE-217N2	3.5	7.72
ADE-219N2	4.1	9.04
ADE-221W2	4.0	8.82

7.3 Dimension (Packing):

- Size

Model	Unit	W	L	H
ADE-217N2	mm	426	174	475
	Inch	16.77	6.85	18.17
ADE-219N2	mm	474	174	511
	Inch	18.66	6.85	20.12
ADE-221W2	mm	596	223	505
	Inch	23.46	8.78	19.88

- Weight:

Model	kgs	lbs
ADE-217N2	5.6	12.35
ADE-219N2	6.3	13.89
ADE-221W2	6.8	14.99

Atherton Electronics Corp.

www.athertonelectronics.com

29350 Hunco Way Ste. A, Lake Elsinore, CA 92530