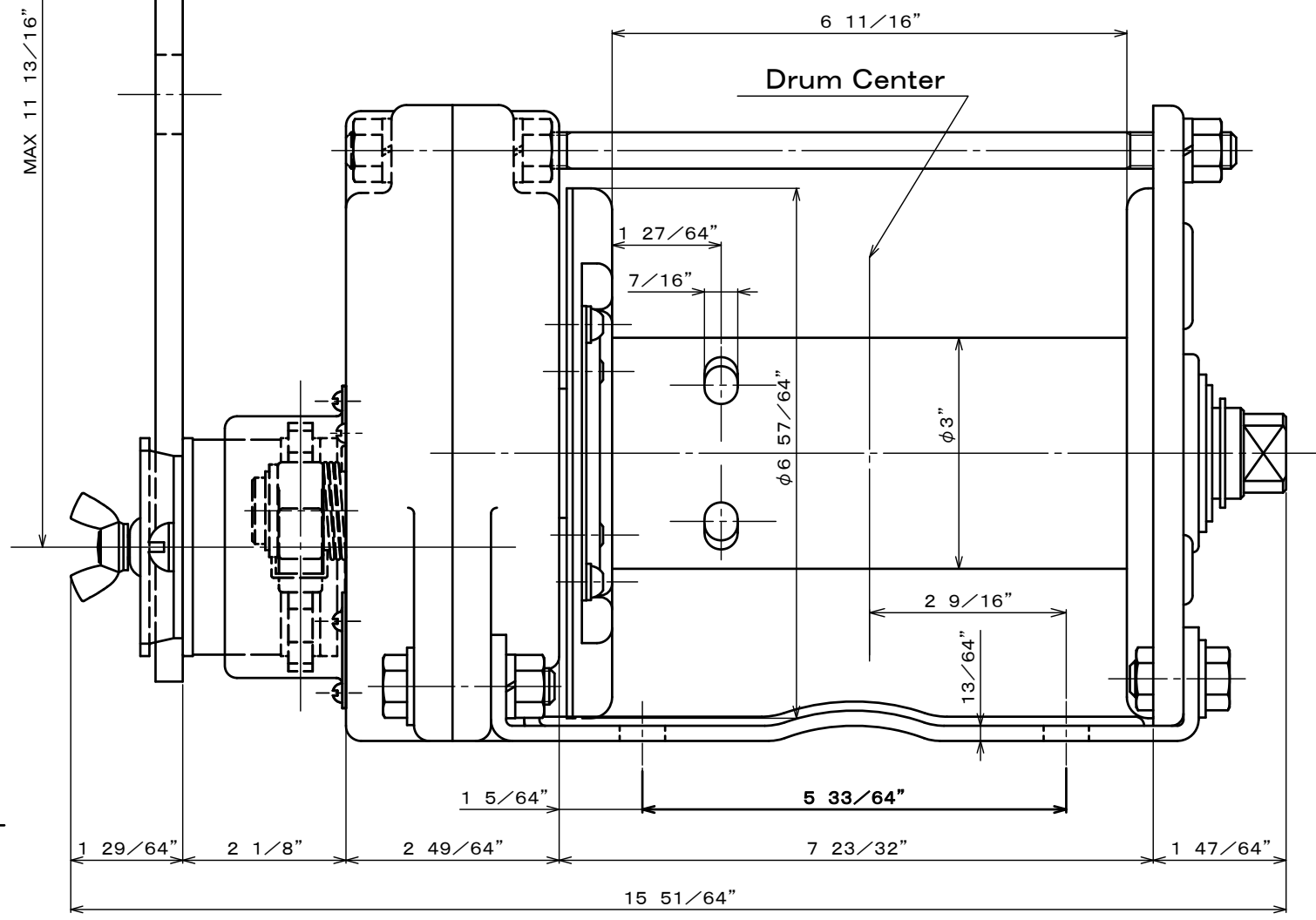


Specifications		(The wire rope composition is a manufacturer recommendation.)			
Load Rating Wire Rope Tension	2,200 lbs (= 1,000kgf) 3rd Layer (Standard Layer)	Handle Force	Handle Length 11 13/16"	Number of Wire Rope Winding Layer	
Drum Capacity	Wire Rope 5-Layer Windings φ 5/16" (6 × 36) × 114 ft		Wire Rope Tension 2,200lbs	1st Layer 29.8lbs (= 13.5kgf)	2nd Layer 35.3lbs (= 16.0kgf)
Gear Ratio	1/12.6	Standard Accesories		One Handle	
Effective Handle Length	11 13/16" (Maximum)	Painting		Melamine Resin Coating At Two Layers Painting Color Drum : Black (Munsell N1 Semi Gloss) Others : Munsell 7.5YR6/11	
Weight	36.2 lbs (Winch + Handle)			One Hex Wrench for Anchoring the Wire Rope	

※To prevent irregular winding of the wire rope around the drum, keep the fleet angle 2 degrees or less. Please install the pulley 9ft or more away from the drum on the center line of the drum.

※The value of specified "Wire Rope Tension" on this drawing is for the standard layer or less. The value of the "Wire Rope Tension" must be decreased accordance with the ratio of the actual winding layers, if it exceeded.



4 ×	・	図面番号 / DRAWING No. GM10SI-180402-01U	改訂番号 / REVISION No. 00	お客様 / CUSTOMER	符号 / MARK	項目 / PARTICULARS	材料 / MATERIAL	数量 / QTY	単体重量 (kg) / TOTAL WEIGHT	備考 / REMARKS
3 ×	・	承認 / APPROVED	検閲 / CHECKED	作成 / DRAWN	図面名 / TITLE	投影法 / PROJECTION METHOD	MAXPULL MACHINERY & ENGINEERING CO., LTD. マックスプル工業株式会社			
2 ×	・	設計部 '18.04.04 米澤	設計部 '18.04.04 松嶺	設計部 '18.04.04 武松	MAXPULL WINCH STOPPER ARMLESS ROTATING MODEL GM-10-SI	第三角法 THIRD ANGLE PROJECTION				
1 ×	・					尺度 / SCALE				
改訂 / REVISION	・					台数 / QTY				