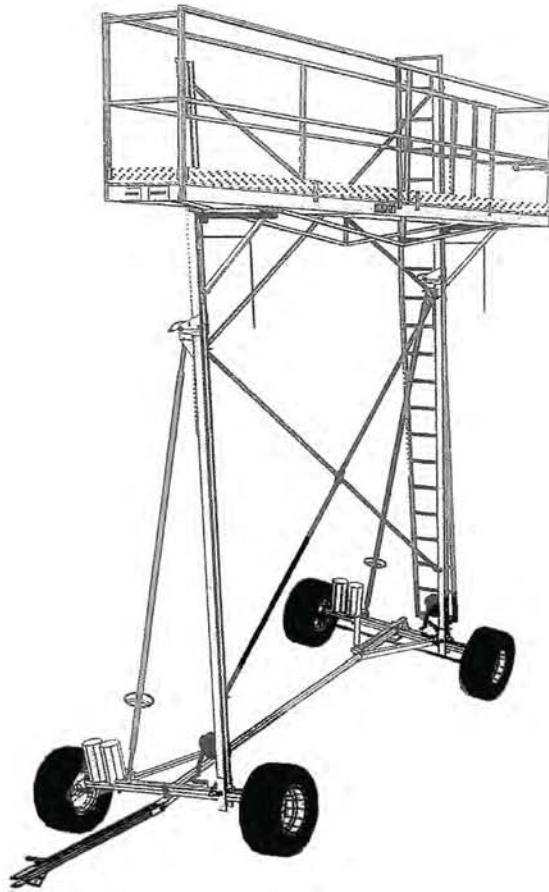


Read This Manual First & Keep With Unit

RUSTGO



Instruction and Safety Manual

**For
Models 139 & 195
& Accessories**

Manufactured By:
RUSTGO CO.
48926 State Hwy. 12
Spencer, NE 68777 USA
Phone: 402-589-1247

"Truly Made in the USA"!

National Representative:
UNIQUE CONTRACTOR PRODUCTS, LLC
RUSTGO Sales & Parts
423 Valley Lake Drive
Birmingham, AL 35206
Phone: 205-838-8144
Fax: 205-838-8441
TOLL FREE: 1-800-448-4077
Email: wking@rustgo.com

INTRODUCTION
TO
RUSTGO MANUALLY PROPELLED WORK PLATFORMS

The purpose of this manual is to provide the user with the thorough understanding of the proper operating procedures necessary to comply with the intended use of the **RUSTGO** mobile work platform (manually propelled elevating aerial platform).

Do not attempt to operate this work platform until you have read all the information in this manual and understand it. Familiarize yourself with the unit's functions and operations of the controls and have a good understanding of their limitations and capabilities. Read all the various decals that are attached to this work platform before operating unit. They contain important information regarding the safety and operations of this unit.

It is **YOUR RESPONSIBILITY** to follow procedures while operating this **RUSTGO** product. The manufacturer of this work platform cannot control the wide range of applications that it may be used in carrying out a variety of jobs. Therefore, **IT IS THE USER'S RESPONSIBILITY** to consider all of the personnel when making decisions regarding the intended use of this work platform.

It is also **YOUR RESPONSIBILITY** to understand and obey all federal, state and local regulations regarding the operations and use of manually propelled elevating aerial platforms. A copy of the **ANSI/SIA A92.3-1990 Manual of Responsibilities** is included for your use.

DO NOT ALTER OR MODIFY THIS RUSTGO PRODUCT IN ANY MANNER
WITHOUT PRIOR WRITTEN APPROVAL FROM RUSTGO CO.

Many of the parts used in the manufacture of this **RUSTGO** mobile work platform have specific properties, and the manufacturer recommends that replacement parts be purchased through **RUSTGO CO.** in order to ensure the original integrity of the product. Repairs and adjustments should only be made by trained and qualified personnel. Please refer to this manual for information on parts, service and maintenance of this **RUSTGO** product.

RUSTGO Co. reserves the right to modify, improve, add, and/or delete certain design features without obligation to incorporate new features into previously sold products.

RUSTGO

MANUALLY PROPELLED WORK PLATFORMS
Are manufactured by
RUSTGO CO., 48926 State Hwy. 12, Spencer, NE 68777 USA

CLASSIFICATIONS OF RUSTGO MOBILE WORK PLATFORMS:

RUSTGO work platforms are categorized by the following **ANSI Standard:**

ANSI/SIA A92.3-1990 Manually Propelled Elevating Aerial Platforms

RUSTGO work platforms are categorized by the following **OSHA Standard:**

General OSHA Standard Part 1910

Subpart D 1910.29 Manually Propelled Mobile Ladder Stands and
Scaffolds (Towers)

(a) General requirements Section(e) Mobile work platforms

When in use in the field on a job site refer to **1926.452(w)**, then
(NON-MANDATORY) APPENDIX A TO SUBPART L – SCAFFOLD SPECIFICATIONS

1926.450(w) MOBILE SCAFFOLDS. Stability test as described in the **ANSI A92** series documents, as appropriate for the type of scaffold, can be used to establish stability for the purpose of **Sec. 1926.452(w)(6)**.

RUSTGO mobile work platforms may be used as a guardrail system for fall protection. RUSTGO mobile work platforms meet the OSHA requirements for a guardrail system under **SUBPART M 1926.502 FALL PROTECTION SYSTEMS CRITERIA AND PRACTICES (a) General and (b) Guardrail systems**. Any additional requirements such as tying off, screens, mesh, etc. shall be the users responsibility.

NOTE: RUSTGO mobile work platforms are not designed to withstand the forces imposed by the Personal fall arrest systems or Positioning device systems as in **OSHA Section 1926.502(d & e) Subpart M**.

IMPORTANT: A COPY OF THE ANSI/SIA A92.3-1990 MANUAL OF RESPONSIBILITIES IS INCLUDED WITH THIS INSTRUCTION MANUAL. IT CONTAINS IMPORTANT OPERATING INFORMATION FOR THIS RUSTGO PRODUCT. READ IT BEFORE OPERATING THIS RUSTGO WORK PLATFORM.

When properly used in accordance with the listed OSHA requirements and ANSI standard RUSTGO manually propelled work platforms meet said standards.

**GENERAL CODE OF SAFE PRACTICES
FOR
OPERATIONS OF MANUALLY PROPELLED WORK PLATFORMS**

It shall be the responsibility of all users to read & comply with the following common sense rules which are designed to promote safety in the operations of manually propelled work platforms. These rules do not purport to be all-inclusive nor supplant or replace other additional safety & precautionary measures to cover usual or unusual conditions.

If these rules conflict in any way with any state, local, or federal statute or regulation said statute or regulation shall supersede these rules and it shall be the responsibility of each user to comply therewith.

1. GENERAL RULES

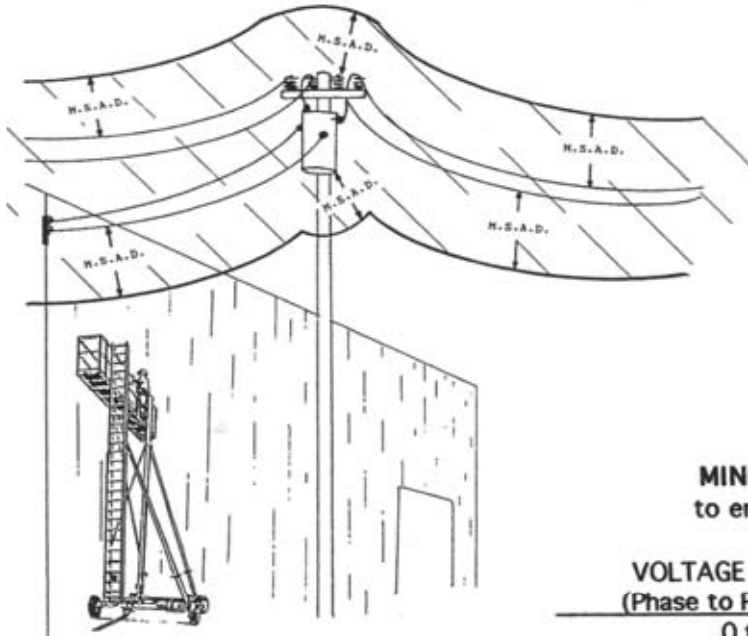
- A. SURVEY THE JOB SITE: A survey shall be made of the job site for hazards such as untamed earth fills, ditches, debris, high tension wires, unguarded openings, hazardous conditions created by other trades.
- B. INSPECT ALL EQUIPMENT BEFORE USING: Never use any equipment which has an obvious defect. Defective equipment must be repaired before using.
- C. NEVER USE EQUIPMENT FOR PURPOSES OR IN WAYS FOR WHICH IT WAS NOT INTENDED.
- D. REPORT ANY UNSAFE CONDITION.
- E. NEVER TAKE CHANCES: Do not work on platform if your physical condition is such that you feel dizzy or unsteady in any way.
- F. RUSTGO brand manually propelled work platforms **are not insulated** for use near electrically energized circuits. User should therefore consider the work platform to be non-insulated unless otherwise labeled.
- G. The operation of any work platform is subject to certain hazards that cannot be protected against by mechanical means but only by the exercise of intelligence, care, and common sense. It is, therefore essential to have competent, careful operators, physically and mentally fit and thoroughly trained in the safe operations of this type of equipment.

2. OPERATING RULES

- A. FOLLOW ALL STATE, LOCAL, AND GOVERNMENT CODES, ORDINANCES AND REGULATIONS PERTAINING TO WORK PLATFORMS.
- B. Read manufacturer's operating instructions. Never exceed manufacturer's recommended load. All accessories must be installed and used in accordance with manufacturer's recommended procedures.
- C. Perform daily maintenance checks and make visual inspection of work platform & surrounding area to be sure both are clear of other personnel & obstructions.
- D. Guardrails: Do not use machine without guardrails. Do not stand on guardrails to gain extra reach. Do not use guardrails to carry materials.
- E. Do not lean out over platform railings to perform work.
- F. Do not use ladders or makeshift devices on the platforms to obtain greater height.
- G. Do not operate equipment near electrical power lines (see enclosed additional information).
- H. Care must be taken to prevent ropes, electrical cords, hoses, etc. from becoming entangled in equipment when platform is being raised or lowered or equipment moved.
- I. Do not alter equipment or override safety devices in any way.
- J. Do not ride on platform while it is being moved.
- K. Remove all material and equipment from platform before moving.
- L. DO NOT OVERLOAD WORK PLATFORM.
- M. Use proper guardrails and toe boards when required.
- N. Consult your scaffolding supplier when in doubt. Never take chances.

- O. Employees shall not work on platforms during storms, high winds, freezing rain or other adverse weather conditions that could endanger workman. Employees shall not work on platforms which are covered with ice, snow, or frost, unless all ice, snow or frost is removed and decking sanded to prevent slipping.
- P. Overhead protection shall be provided for employees on a platform exposed to overhead hazards.

DANGER ELECTROCUTION HAZARD



**MINIMUM SAFE APPROACH DISTANCE(M.S.A.D.)
to energized(exposed or insulated) power lines and parts.**

VOLTAGE RANGE (Phase to Phase)	MINIMUM SAFE APPROACH DISTANCE	
	(Feet)	(Meters)
0 to 300V	AVOID CONTACT	
Over 300V to 50KV	10	3.05
Over 50KV to 200KV	15	4.60
Over 200KV to 350KV	20	6.10
Over 350KV to 500KV	25	7.62
Over 500KV to 750KV	35	10.67
Over 750KV to 1000KV	45	13.72

- DANGER:** *DO NOT ALLOW MACHINE, PERSONNEL OR CONDUCTIVE MATERIALS INSIDE PROHIBITED ZONE.
 *MAINTAIN M.S.A.D. FROM ALL ENERGIZED LINES AND PARTS AS WELL AS THOSE SHOWN.
 *ASSUME ALL ELECTRICAL PARTS AND WIRES ARE ENERGIZED UNLESS KNOWN OTHERWISE
- CAUTION:** *DIAGRAMS SHOWN ARE ONLY FOR PURPOSES OF ILLUSTRATING M.S.A.D. WORK POSITIONS, NOT ALL WORK POSITIONS.

PRE-ERECTION JOB SITE INSPECTION & PREPARATION

The following guidelines are not all inclusive; rather they are examples of job site conditions to be aware of.

A survey of all obstructions, impediments or encumbrances that would pose a danger during the entrance onto the job site, during the course of working on the job site and during the exiting of the job site should be taken prior to arrival of the equipment at the job site.

This shall include, but is not limited to, aerial, ground and any buildings surveys. It shall include such potential hazards as:

Uneven ground, untamed earth fills, ditches/trenches, holes or depressions in the ground.

Electrical power, distribution lines. Guy wires

Protrusions from out of the ground or overheard from buildings or poles.

Debris, unguarded openings, hazardous conditions created by other trades or unauthorized people on the job site.

Weather conditions and forecasts and other possible unsafe conditions.

All potential hazards should be corrected or flagged and barricaded.

- ◆ The common types of accidents scaffolding and mobile work platforms are most likely to be involved in are tip over, collapse, and electrocution.
- ◆ Tip over would most likely be caused by one or a combination of the following: wind, uneven ground conditions, overloading and/or failure to keep uprights vertically plumb or failure to properly erect equipment.
- ◆ Collapse would most likely be caused by overloading or failure to properly erect equipment.
- ◆ Electrocution would most likely be caused by failure to lower platform(s) and/or remove the upright extensions to maintain safe clearances of electrical power distribution lines. KNOW THE HEIGHT AND VOLTAGE OF ALL POWER LINES ON AND ADJACENT TO THE JOBSITE. KNOW THE HEIGHT OF ALL EQUIPMENT AND MATERIALS BEING USED AT THE JOBSITE.
- ◆ **THE MAXIMUM HEIGHT OF A STANDARD MODEL 139 WITH THE MAIN PLATFORM FULLY EXTENDED IS APPROXIMATELY 23ft. 2in. (+ or – 2") Approx. 7.06 meters**
- ◆ **THE MAXIMUM HEIGHT OF A STANDARD MODEL 195 WITH THE MAIN PLATFORM FULLY EXTENDED IS APPROXIMATELY 29ft. 3in. (+ or – 2") Approx. 8.9 meters**

--GENERAL INSPECTION & MAINTENANCE--

Daily visual inspection shall be conducted of the structural components and other critical components, such as pin, bolts and locking devises (including pawls). Check for metal/weld fatigue on all parts including slide mechanism on platforms. Check for bent or worn parts or components that need maintenance, repair or replacement. When parts or components need replacement, they shall be identical or equivalent to original parts or components.

Environmental conditions such as acidic rain, salt water air or extremely wet conditions can have an impact on various equipment parts and must be taken into account when determining if inspections should be made more frequently than the recommended minimums. Amount of use and amount of towing should also be taken under considerations to determine if inspections should be made more frequently than the recommended minimums.

The following are minimum frequency recommendations regarding the inspection and maintenance of the unit:

- | KEY: | D-Daily | W-Weekly | M-Monthly |
|------|--|----------|-----------|
| ___D | 1. Check to be sure Instruction Manual is in Instruction Manual storage holder | | |
| ___D | 2. ALL decals are in place and legible | | |
| ___D | 3. Check brake handles, they should move easily. Oil or grease pivot. | | |
| ___D | 4. Lock brakes. If wheels turn easily, re-adjust brake adjusting bolt on brake band until wheel is securely locked. If wheels still turn, brake band linings are probably damaged-replace. | | |
| ___D | 5. Check tire pressure & wear. Maintain maximum recommended tire pressure. Replace worn out tires. Tires should be matched sets on each axle. Check lug nuts for tightness. | | |
| ___D | 6. Front & Rear tongue bolts tight. | | |
| ___D | 7. Is Rear steering tongue working properly. CHECK BEFORE TOWING ON STREETS & ROADS. | | |
| ___D | 8. Check Extension Ladder safety catch; it should move freely. | | |
| ___D | 9. Ladders should not have bent or broken rungs. | | |
| ___D | 10. Check winch cables. If frayed or badly pinched, replace. Make sure Hair pin clips are in place. | | |
| ___D | 11. All guardrails are straight, in place, and secured with 1/4" safety pins. | | |
| ___D | 12. Entry latches are in working order. | | |
| ___D | 13. All x-brace are straight. Check for excessive wear or metal cracks at connections and/or brackets. | | |
| ___W | 14. Inspect cable sheaves & clevis pins for wear. Lubricate with heavy oil or grease | | |
| ___W | 15. Check lift arm ropes for wear and/or deteriorations, replace as needed. | | |
| ___W | 16. If uprights or extensions have been bent or severely twisted-replace. | | |
| ___W | 17. Grease inside lip of uprights to prevent lift arms from binding or dragging. | | |
| ___W | 18. Grease adjusting arm threads, two zirks per arm. Oil ball joints located on each end of arms. | | |
| ___W | 19. Grease platform slide brackets and inspect for cracks and/or metal fatigue. | | |
| ___W | 20. All toe boards are in place and in good conditions. | | |
| ___W | 21. Inspect decking for holes, soft spots or any other deterioration. | | |
| ___M | 22. Grease front & rear axles, three zirks per axle. | | |
| ___M | 23. Check the wheel alignment for proper tow. | | |
| ___M | 24. Grease wheel bearings and check for play. Should be repacked at a minimum-annually. | | |
| ___M | 25. Inspect reach pipe bolts & square washers for wear. | | |
| ___M | 26. Reach pipe is straight, not bent. CHECK BEFORE TOWING ON STREETS & ROADS. | | |
| ___M | 27. Check spherical tierod ends for wear. | | |
| ___M | 28. Inspect the lift arm pawls & springs for wear & tension. | | |
| ___M | 29. Inspect all bolts for wear. Replace or tighten as needed. | | |

RUSTGO®

BRAND
WORK PLATFORMS
RUSTGO, CO.
SPENCER, NE
DISTRIBUTED BY

Unique Contractor Products, LLC

5014 1ST AVE N.
BIRMINGHAM, AL 35212
PH: (205) 592-0083
TOLL FREE: 800-448-4077



LOOK UP ELECTROCUTION HAZARD



#799-170

WARNING

OVERLOADING MAY RESULT IN COLLAPSE OR OVERTURNING OF MACHINE
MAX. RATED WORK LOAD 750 LBS./340K
MAX. RATED NUMBER OF OCCUPANTS 3 MP 1092

CAUTION

THIS IS NOT A MATERIAL LIFT

- READ, UNDERSTAND & COMPLY WITH ALL ASPECTS OF THE DECALS AND INSTRUCTION MANUAL BEFORE USING THE EQUIPMENT. THE RUSTGO INSTRUCTION MANUAL SHALL BE KEPT WITH THIS UNIT AT ALL TIMES.
- ALL COUNTER WEIGHTS SHALL BE IN PLACE AND ALL 4 BRAKES SHALL BE LOCKED
- INSPECTION & MAINTENANCE OF THIS UNIT SHALL BE DONE ON A TIMELY BASIS AS SPECIFIED IN THE RUSTGO INSTRUCTION MANUAL.
- RAISE PLATFORM TO DESIRED HEIGHT, LEVEL IN BOTH DIRECTIONS USING WINCHES AND ADJUSTING ARMS
- OWNER/USER SHALL NOT REPLACE ANY CRITICAL COMPONENTS OF UNIT WITHOUT MANUFACTURERS CONSENT.
- WORKPLATFORM SHALL NOT BE RAISED, LOWERED OR MOVED WITH WORKMEN ON IT.

MAX. PLATFORM HEIGHT: MODEL 139 19'6"	MODEL 195 25'6"
MAX. OVERALL HEIGHT: MODEL 139 23'2"	MODEL 195 29'3"



Rear Steering Tongue
MUST BE LOCKED
DOWN for towing.

Failure to do so shall
result in damage or
serious injury.

TOWING HAZARD

Manufacturer certifies conformance to
OSHA
 Sec. 1926.452(w) mobile scaffolds
 & (Non-mandatory) Appendix A
 to Subpart L - (w) Mobile Scaffolds
 #799-140

MAINTENANCE

GREASE PLATFORM SLIDE BRACKET.
 PERIODICALLY GREASE INSIDE LIPS OF UPRIGHT
 POSTS TO PREVENT LIFTARMS FROM DRAGGING.

**INSTRUCTION
MANUAL**
Part#700-001

RUSTGO Mobile Work Platforms
 Meet ANSI Standard A92.3
 for Manually Propelled Elevating
 Aerial Platforms
 Part#700-002

WARNING

OVERLOADING MAY RESULT IN COLLAPSE OR OVERTURNING OF MACHINE
MAX. RATED WORK LOAD 500 LBS./225K
MAX. RATED NUMBER OF OCCUPANTS 2 IL 1092

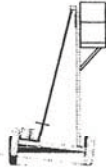
WARNING!

MODEL 139 LOAD LIMITS

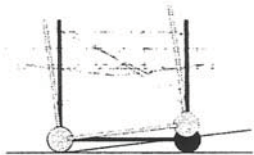
Model 139 has a maximum combined load limit of 750 lbs. /340 K.

DO NOT EXCEED

a 7 degree negative slope. (approx. 10"/.26m)



in combination with



a 7 degree longitudinal slope.(approx. 19" / .48m)

Part #700-003

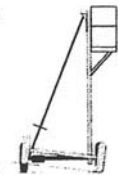
WARNING!

MODEL 195 LOAD LIMITS

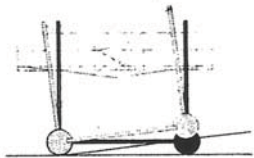
Model 195 has a maximum combined load limit of 1000 lbs. /454 K.

DO NOT EXCEED

a 7 degree negative slope. (approx. 14"/.35m)



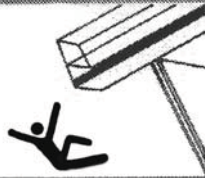
in combination with



a 7 degree longitudinal slope.(approx. 19" / .48m)

Part #700-004

WARNING



Before using, putting up, or taking down this mobile work platform CHECK WITH YOUR BOSS AS TO ITS SAFE USE

There are many ways YOU CAN BE hurt or even KILLED using mobile work platforms

REVIEW THE SAFETY GUIDELINES WITH YOUR BOSS

Read & understand the operators manual. Be familiar with the operation and limitations of the equipment.

WARNING

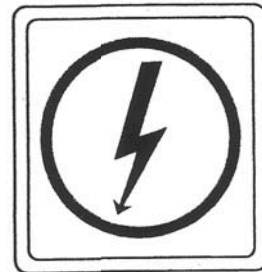
CAUTION

FREE SPOOLING WINCH

MAINTAIN FIRM GRIP ON HANDLE. BE SURE PAWL IS ENGAGED IN NOTCH SYSTEM BEFORE RELEASING HANDLE.

393A

LOOK UP



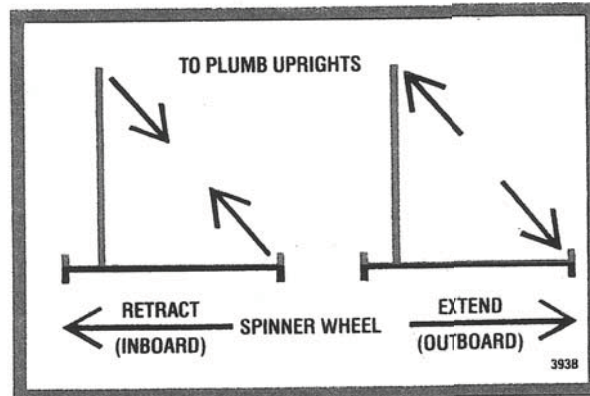
DANGER

ELECTROCUTION HAZARD This machine is NOT electrically insulated. Maintain safe clearances from electrical lines & apparatus.

DEATH OR SERIOUS INJURY will result from contact or inadequate clearance.



#799-136



CAUTION



KEEP TOGGLE FREE & NONBINDING FAILURE TO KEEP TOGGLE FREE & NONBINDING COULD RESULT IN THE DISLODGING OF THE LADDER EXTENSION DURING NORMAL USE, CAUSING SERIOUS INJURY.

590

EXTEND AXLE

EXTEND AXLE & TIE ROD 30" & PIN BEFORE SETTING UP UNIT. RETRACT AFTER DISASSEMBLY FOR HIGHWAY TOW.

1090

TROUBLE SHOOTING

If you have trouble raising and/or lowering the platform(s), check the following items:

1. Grease the inside lips of the front & rear uprights and upright extensions.
2. Grease the slide mechanism of the platform.
3. Be sure that the uprights are in line. If they are too out of line, the binding of the platform at the lift arm attachment pints will transfer to the uprights and make it very hard to raise and/or lower the platform.
4. Is one or both of the uprights bent? Replace if needed.
5. Are the cables on the sheaves at the top of the uprights? Is the hair pin cotter in place to prevent cable from slipping off of sheave?
6. Are the sheaves out of round or worn out? Replace entire sheave or brass busing insert. Oil brass sheave bushings.
7. Is the cable threaded through the space between the upright and the welded on backbone (u-shaped)? It should not be.
8. If you have a model 195 (goes to 25'6" deck height), do not thread the cable through the eye located just above the winch.
9. Is the winch free turning or is the cable wound over itself?
10. Check the welds of the slide mechanism, where it is welded to the platform. Are any of the welds broken? This would cause the platform & slide to bind and work against each other.

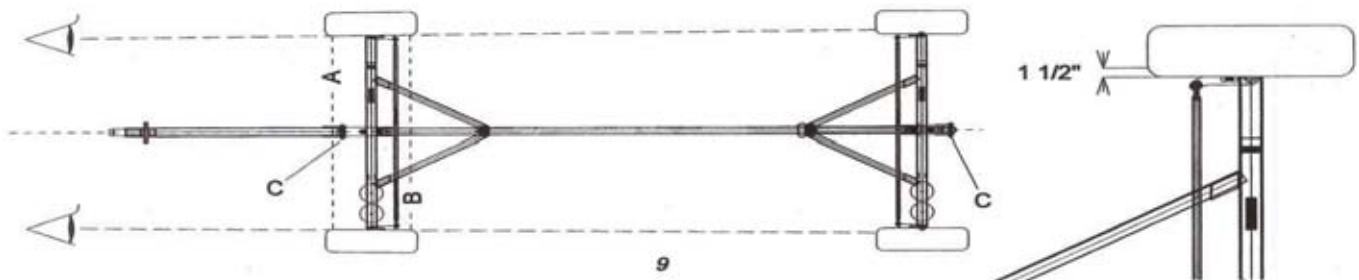
TOWING

Poor towing can be a combination of several factors, including speed and road conditions. Check each of the following before continuing to the "Guide to Proper Steering Alignment".

1. Keep each axle free and non-binding.
2. Keep Front & Rear tongue bolts tight (snug).
3. A bent reach pipe or tie rod(s) can cause towing problems. Replace.
4. Use matched pairs of tires on each axle. Inspect tires for out-of-round or being severely out of balance.
5. Inspect rims for being out-of-bound or bent. Make sure the lug nuts have the rims securely on hubs.
6. Check for excess play of the wheel bearings.
7. Check for excess play of the tie rod ends and hairpin connections.

GUIDE TO PROPER STEERING ALIGNMENT

1. Keep all side play out of tongue by tightening 5/8" bolts at Point C.
2. **FRONT TIRES:** Align Front hairpin and tongue with center reach pipe and set tow in by sight or string as shown in drawing. Viewed from the front, the point of projection on the Rear tire should be 1-1/2" from the inside face. (See Drawing Below). The differential in measurement from the Front Point A to Rear Point B of the Front tires should be 1/2" to 3/4". With the distance at Point A being the smaller of the two.
REAR TIRES: The Rear steering tongue must be in the latched position. Viewed from the rear, the Rear tires should align with the front. The differential in the measurement of the front of the Rear tires to the back of the Rear tires should be 0" or no toe in.



UNCRATING & BASIC ASSEMBLE OF UNIT

UNCRATING

Inspect all crates or packages for damages. Report any damage or breakage to the delivering carrier. Break banding and remove all parts from the deck of main platform. Break the banding securing platform to base skit and remove platform. Remove all remaining parts from skid base.

GEAR ASSEMBLY

Install tires & rims on hubs (brakes are preinstalled).

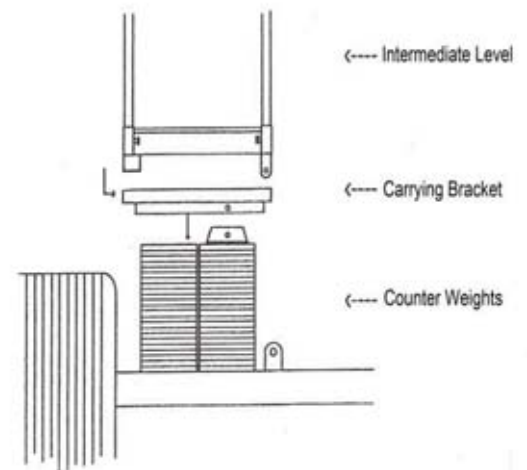
The axles & corresponding tongues are stamped FRONT & REAR. Couple FRONT & REAR axles assemblies together with 2-1/2" reach pipe. Using 2 1/2"x4" bolts w/square washers on the top & bottom of reach pipe, secure with 1/2" locknuts. Attach corresponding FRONT & REAR tongues to hairpins using 5/8"x4-1/2" bolts & locknuts.

MODEL 139 ONLY—ATTACHMENT OF COUNTER WEIGHTS

COUNTER WEIGHTS: MODEL 139

Bolt 2 weights per axle onto gear in pre-drilled holes on right side of axles. Place counterweight w/angle iron on top as shown.

IF APPLICABLE: Bolt intermediate level carrying bracket (**Part #192-129**) to angle iron as shown with 3/8"x2-1/4" bolts. Intermediate level is then pinned to brackets using 3/8" safety pins. Tighten counterweight bolts at this time.



Main 2'x20' Platform

Install Instruction Manual tube. Install toe boards. Toe board installation diagram is with toe boards. Five 1/4"x1-3/8" safety pins are used to secure removable guardrails.

UPRIGHT ASSEMBLY

Sheaves are preinstalled.

1. Mount winch to upright 2-3/8"x1-1/2" bolts, thick washers, lock washers, and locknuts as shown in drawings. (This makes two additional stops for the Intermediate Level).
2. Slide lift arm into upright from the lower end that pins to axle. Attach cable to lift arm using cable clevis.
3. Thread cable from lift arm up the inside of upright channel, over sheave and back down to winch and secure. DO NOT run cable through channel on backside of upright. DO NOT thread cable through chain link eye located above winch on Model 195. Install hairpin clip in holes above sheave to keep cable on sheave. DO NOT attach 6ft upright extensions at this time.
4. Attach adjusting arms to uprights with 5/8"x2-1/2" bolts, locknuts & reducer bushings. Spinner wheel should be located at the winch end of the upright. May be preassembled on Model 139.

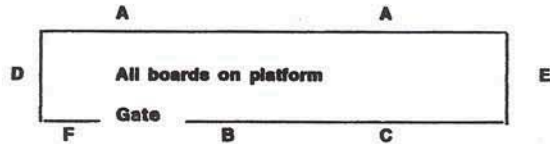
TOEBOARD MATERIAL REQUIREMENTS

MAIN PLATFORM:

TREATED 1" X 4" BOARDS CUT TO:

2	119-1/4"	(OUTBOARD EDGE OF PLATFORM)	(A)
1	107"	(INBOARD EDGE OF PLATFORM)	(B)
1	95"	(INBOARD EDGE OF PLATFORM)	(C)
1	22-3/4"	(REAR GATE END OF PLATFORM)	(D)
1	22-3/4"	(FRONT END OF PLATFORM)	(E)
1	16-3/4"	(INBOARD EDGE OF PLATFORM BY GATE)	(F)

BOLTS: 24 - 1/4" X 1" W/TEE NUTS Part # 199-125

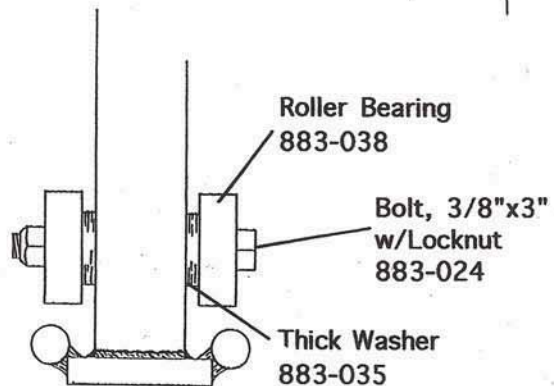
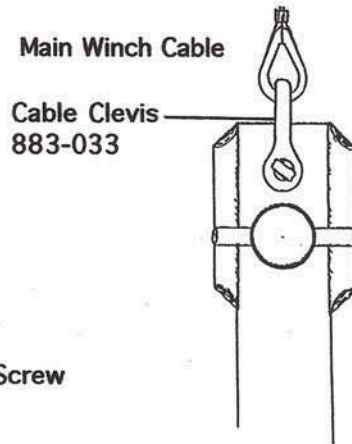
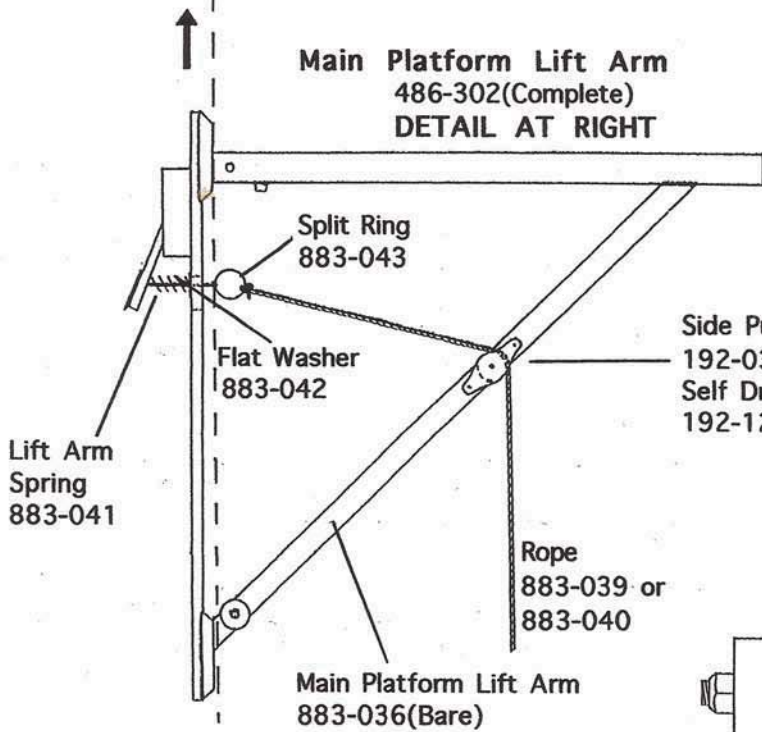
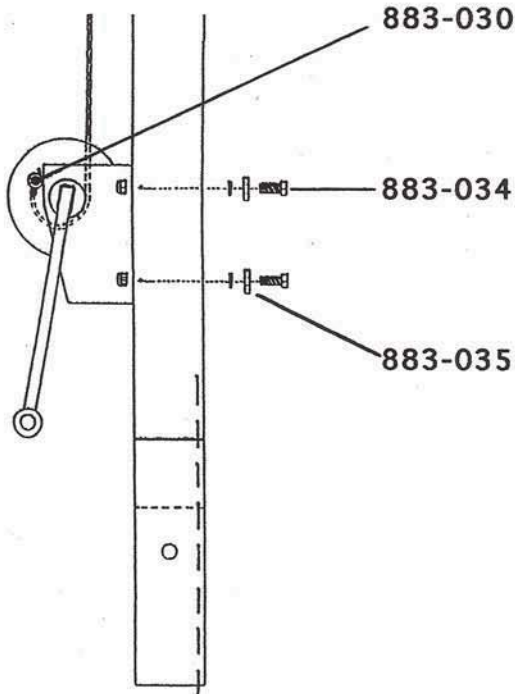
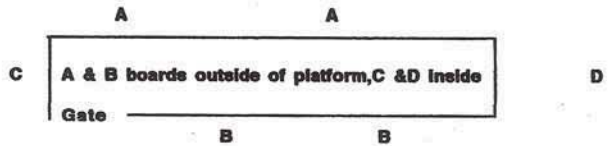


INTERMEDIATE LEVEL PLATFORM:

TREATED 1" X 4" BOARDS CUT TO:

2	108-1/2"	(OUTBOARD EDGE OF PLATFORM)	(A)
2	99-1/2"	(INBOARD EDGE OF PLATFORM)	(B)
1	18"	(REAR GATE END OF PLATFORM)	(C)
1	17"	(FRONT END OF PLATFORM)	(D)

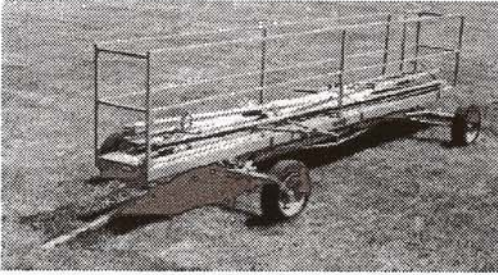
BOLTS: 17 - 1/4" X 1" W/TEE NUTS Part # 199-125
5 - 1/4" X 1-1/2" W/TEE NUTS Part # 199-126



DETAIL AT RIGHT

SETTING UP YOUR UNIT

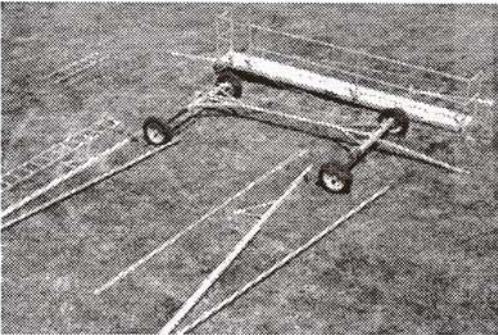
1.



Initial setup of Models 139 & 195 are the same, except for the counter weights.

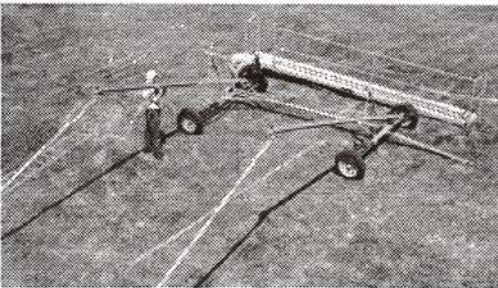
1. Road/trail position of Model 195. Saddle weights transported separately. (#1)(Model 139, already installed)

2.



2. Lay out parts as shown(#2). Extend Model 195 axles & tie rods 30"(to hole). Secure with 1/2" cotter less hitch pins & 3/8" safety pins provided. Place 3-80 lb. saddle weights on each extended axle, next to the adjusting arm tabs.

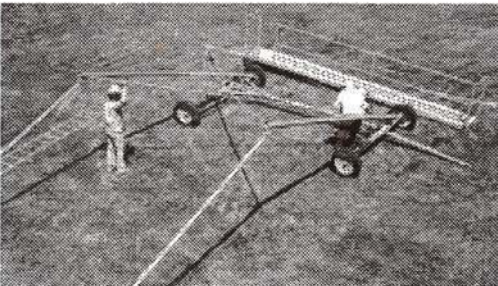
3.



3. **REMOVE WINCH HANDLES.** Uprights & axles are stamped FRONT & REAR. Attach the bottom of each upright to its corresponding axles, using one 3/4" safety pin per axle.(#3) **BE SURE UPRIGHT WITH LADDER BRACKET IS TO REAR GEAR**

4. Attach the 3 piece X-brace to the two uprights using four of the 3/8" safety pins. The easiest way to attach the X-brace is to attach the longest section first. **ALWAYS ATTACH THE MAIN 3 PIECE X-BRACE TO UPRIGHTS BEFORE STANDING UP THE UPRIGHTS.(#4)**

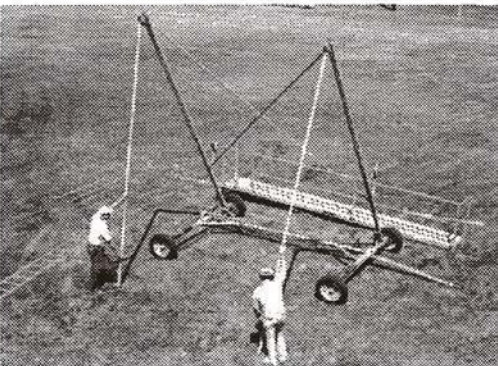
4.



5. Fasten safety chain snap(Model 195 only) on each axle to the eye on the upright. (This is to alert those assembling the unit not to let the upright go past center during the raising of the uprights, x-brace and adjusting arms.) Raise uprights via adjusting arms & connect arms to gear with 3/4" safety pins.(#5) Adjusting arms must be pinned to tabs on the movable axle section(next to wheel). Unsnap safety chain from eye on uprights.

6. Hook main ladder to the top head section of the rear upright and pin to the bracket on the bottom, using one 3/8" safety pin.(#6) Reattach winch handles.

5.



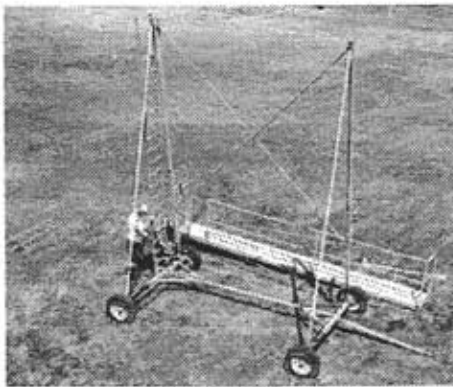
7. **NOTE:** Platform entryway is to the rear of gear. Using the winch and rope, lower the lift arms to the bottom stop of the uprights. Using the adjusting arms plumb the uprights.(#7) Lift rear end of platform & place on rear lift arm. With platform against upright, have clevis only on lift arm. Lift other end of platform onto front lift arm. Align the open clevis & closed pipe of the slide to the rear lift arm and secure with the 3/8" safety pin provided. Align front the front end of the platform to the front lift arm and secure with the 3/8" safety pin provided.

Due to the weight of the platform, you may wish to use lifting equipment, such as a forklift, to initially place the platform on lift arms.

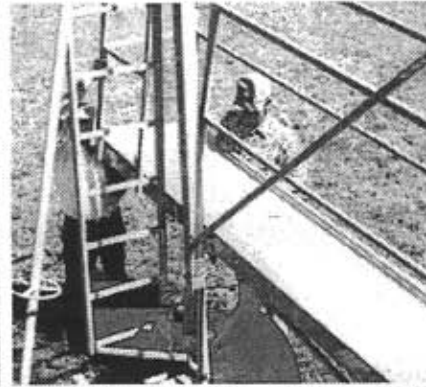
8. Completely assembled. The main platform is ready to be raised & leveled to desired height. **REVERSE PROCEDURE TO DISMANTLE UNIT.** CAUTION: Care should be taken when lowering adjusting arms & uprights; **DO NOT DROP.(#8)**

SPECIAL NOTE: Store 3/4" safety pins on the extensions, not on top of the uprights. **NEVER** set up the unit with the 6' extensions attached to the uprights. Always attach them **AFTER** the unit has been set up.

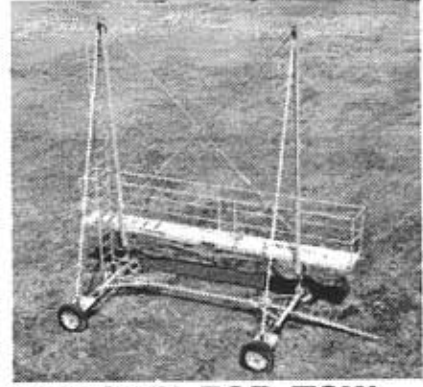
6.



7.

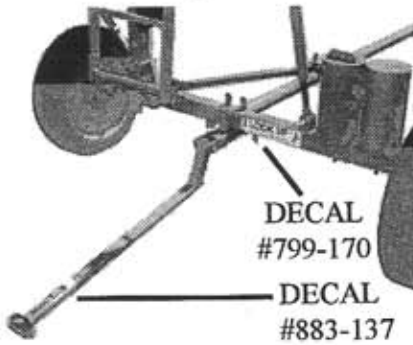


8.



REAR STEERING TONGUE MUST BE LOCKED DOWN FOR TOW
SHOWN BELOW IS THE SEQUENCE FOR LOCKING DOWN REAR STEERING TONGUE.

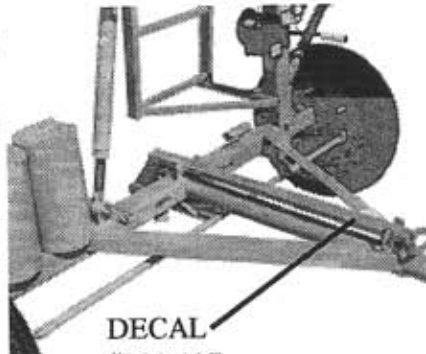
1.



DECAL
#799-170

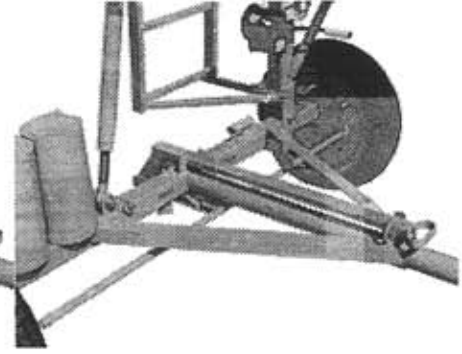
DECAL
#883-137

2.

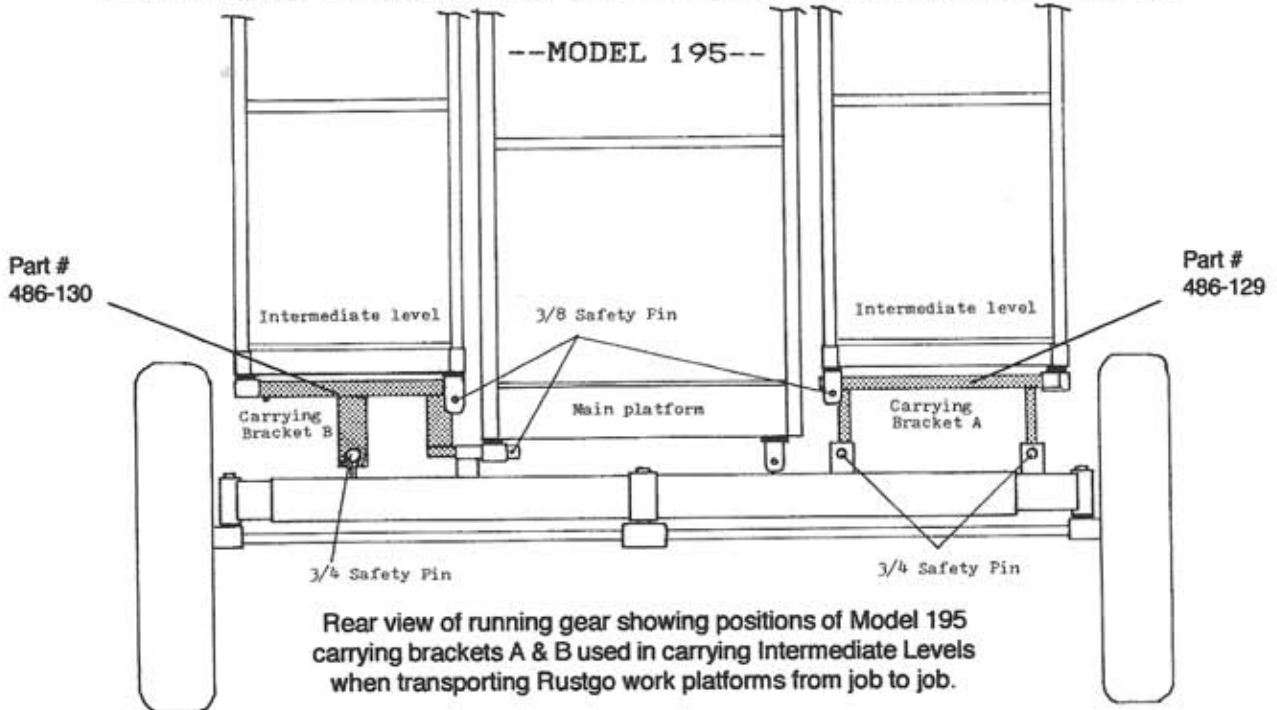


DECAL
#883-137

3.

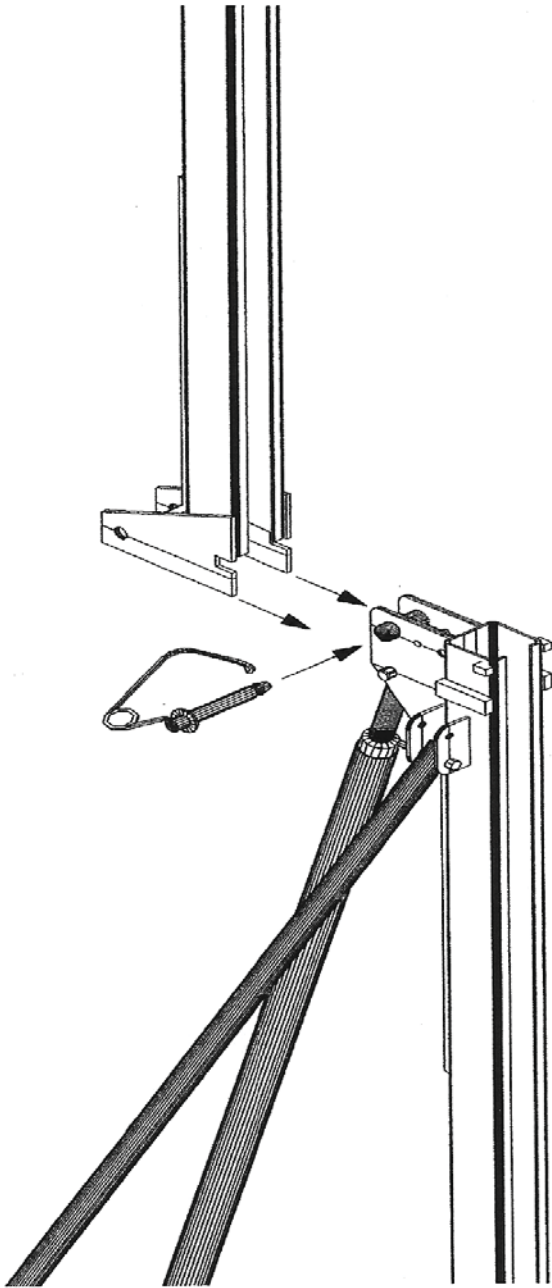


TRANSPORTING MODEL 195 WITH 1 OR 2 INTERMEDIATE LEVELS



Rear view of running gear showing positions of Model 195 carrying brackets A & B used in carrying Intermediate Levels when transporting Rustgo work platforms from job to job.

6FT. UPRIGHT EXTENSION ASSEMBLY



1. To attach, place extensions, x-brace pipes & ladder Extensions on the platform and raise platform to within a foot of the top uprights. Two 3/8" & two 3/4" safety pins should be stored on the extensions when not in use. This way they are readily available when installing extensions.
2. Climb ladder, step onto platform & close gate. To prevent possible injury from falling objects, the area below the work platform shall be clear of workman while the upright extension assembly is being attached. While standing on platform, remove hairpin cotter from rear upright and pull up enough slack (2-3ft) in the cable to lay cable off the th side of upright.
3. Remove the 3/4" pin from rear extension. With a firm grip, stand up extension, slide into place on top of the upright & secure with 3/4". Pull up enough cable slack to place cable on sheave at the top of the upright extension and insert hairpin cotter at top of extension. Repeat procedure to install the front upright extension.
NOTE: Rear extension has ladder bracket.
4. Pin one extension x brace, at a time, to the top of each extension using 3/8" safety pins provided. Reach down and "walk" the bottom of an x-brace to the other upright and secure to the top pin holes of the upright head section using a 3/8" safety pin. Repeat with other extension x-brace. These 2-3/8" pins should be stored in these holes when the upright extensions are not being used.
5. Install ladder extension on rear upright extension. The tabs at the bottom of the extension ladder should be started into the top end of the main ladder before securing upper ladder rung/safety toggle into ladder bracket on extension.

TOGGLE SHOULD BE KEPT FREE AND NONBINDING

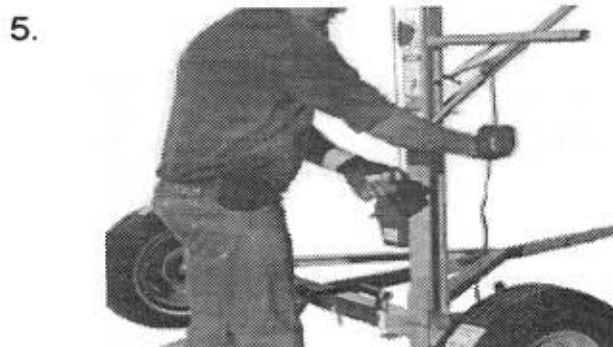
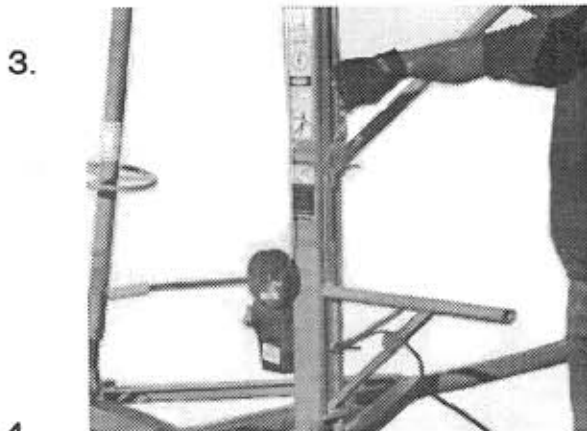
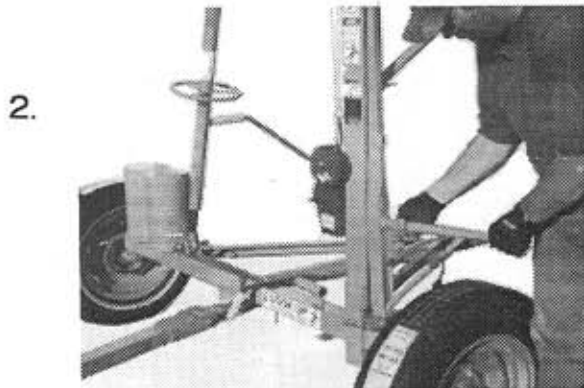
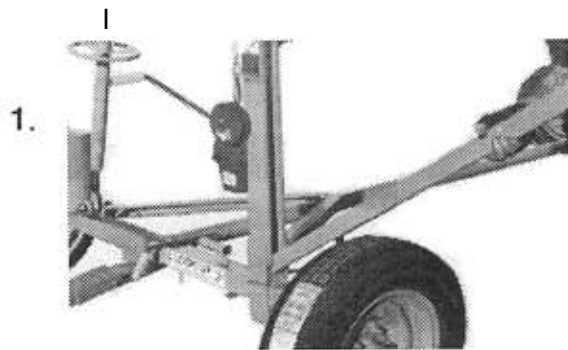
SPECIAL NOTE:

STORE 3/4" SAFETY PINS FOR EXTENSIONS ON THE EXTENSIONS, NOT ON THE TOP OF THE UPRIGHTS. NEVER SET UP THE UNIT WITH THE 6' EXTENSIONS ATTACHED TO THE UPRIGHTS. ALWAYS ATTACH THEM AFTER THE UNIT HAS BEEN SET UP.

WINCH NOTICE

The winches provided for use on these units have a friction pad to prevent or lessen spooling of the cables. The winches are still free spooling with respect to supporting the platforms. The notch systems is still the method of support for the platforms

INSTALLATION & USE OF INTERMEDIATE LEVELS



1. When using a unit that has intermediate Level Inches, remove the handle of the main winch and place it on the intermediate Level Winch.

2. Insert guide pins (located at the top) of Intermediate Level Lift Arm into the bottom of the upright channel. **(PHOTO 1)**

3. Raise arm until it comes into position (NOTE: Notches on bottom of lift arm) so the notches on the bottom end of the lift arm will slip into the upright channel lips. **(PHOTO 2)**

4. Raise lift arm until pawl engages a notch on the upright channel. Unwind I/L winch to provide enough cable slack to attach link snap into loop welded on face of lift arm. Take up cable slack with I/L winch. **(PHOTO 3)**

5. Place Intermediate Level on lift arms(with gate end near ladder) as you would a main platform. Secure with 2-3/8" safety pins provided. **Due to the weight of the platform, you may wish to use lifting equipment, such as a forklift, to initially place the platform on lift arms.**

6. To raise, crank clockwise on the I/Level winch. Raising **(PHOTO 4)** and lowering **(PHOTO 5)** the Intermediate Level using the I/Level winches is accomplished in the same manner as the main platform. **(See RUSTGO GENERAL OPERATING INSTRUCTIONS page for full explanation.)**

If you are using two Intermediate Level, the lower one is raised & lowered in the same manner as the upper one. Detach Link Snap from upper I/L lift arm and reattach to lower platform. Repeat procedures for raising and lowering.

In addition to the rope, the Intermediate level lift arms are provided with a cable, sheathed in vinyl tubing, to lower the platform the final few feet, if so desired. To lower, raise platform slightly, grasping the cable and angled brace squeeze cable to disengage pawl from notches and carefully let platform down to desired height. Then release cable to engage pawl in notch or remove from unit.

NOTE: When you lower the Intermediate level down to the bottom 2 stops (winch bolts) of the upright, you are not able to move the main (2'x20') platform because the winch handle will not clear the I/Level platform.

RUSTGO GENERAL OPERATING INSTRUCTIONS

The Rustgo mobile work platform is designed to easily adjust to most terrain encountered on a job site. However, good judgment and common sense must be exercised to use this product in a safe manner. Care must be taken to maintain good stability & adequate clearance of the unit while maneuvering & using the unit on the job site. SEE: PRE-ERECTION JOB SITE INSPECTION & PREPARATIONS before assembling & using unit.

When maneuvering the unit around the job site it is a good practice to lower the platforms as low as possible and to slightly adjust the platform away from the building or work area using the spinner wheels on the two adjusting arms. This is done to help avoid potential electrical contact, and/or damage to the building or work area. When in doubt, always remove extensions to avoid potential electrical contact.

Using front & rear steering, roll the work platform up to and along side of the building or work to be done. NOTE: You'll find it easier steering into place if each person concentrates on positioning their own and instead of watching where the other end is going. THIS DOES NOT MEAN IGNORING POTENTIAL HAZARDS THE OTHER END MAY BE APPROACHING. After moving into desired position, LOCK ALL FOUR WHEEL BRAKES. Plumb the uprights using the spinner wheels on the adjusting arms.

TO RAISE PLATFORM:

Raise and level the main 2'x20' platform to the desired height using the winches provided on the uprights. Keep a firm grip on the winch handle, these are free spooling to allow positive engagement of the pawl into the upright notches. As you raise the platform you will notice a clicking sound, this is the pawl slipping over the notches. To insure that the pawl is engaged in a notch after reaching the desired height, it is a good practice to raise the platform slightly, about 1-2 inches, and back off the winch. You will be able to feel the contact of the pawl and notch. The cable should now be slack.

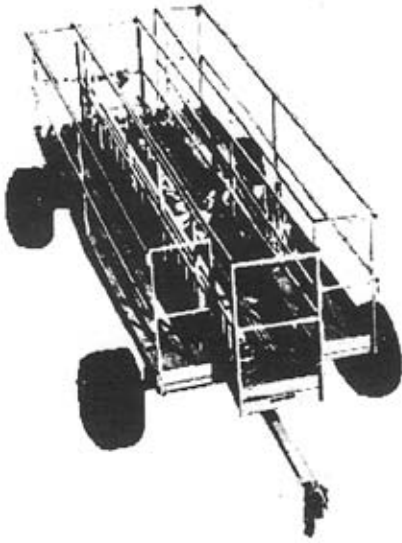
TO LOWER PLATFORM:

Raise platform by ¼ turn of winch. Pull down on rope and hold. Lower platform using winches, keeping a steady downward pull on the ropes and a firm grip on the winch handles. When platform is lowered to desired height, release rope and winch down until you feel and hear the pawl engage one of the notches in the upright. To insure that the pawl is engaged in a notch after reaching the desired height, it is a good practice to raise the platform slightly, about 1-2 inches and back off the winch. You will be able to feel the contact of the pawl and notch. The cable should now be slack.

NOTE: When moving a unit over rough, uneven or sloping ground other factors come into play. This is a judgment call that can only be made in the field. To reduce sway and increase stability you may want to:

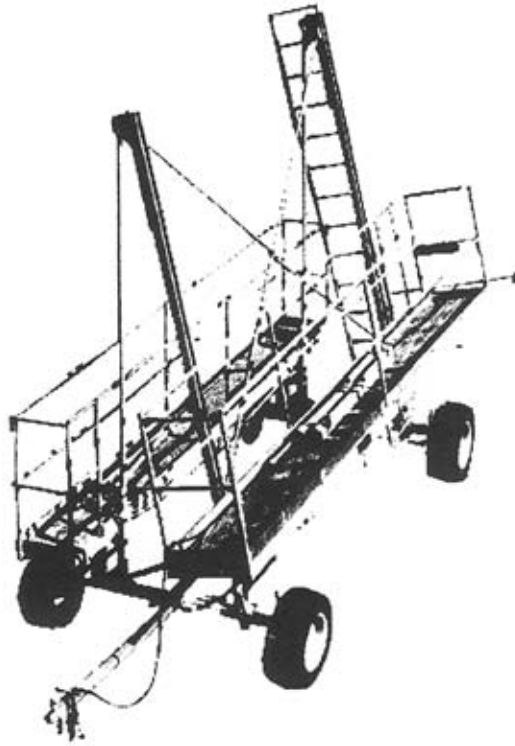
1. Lower the platform(s) as far as possible, thereby lowering the center of gravity. You may also want to lower the platform(s) to avoid potential overhead hazards. **If overhead electrical power lines are present you must lower the platform(s) as far as possible to provide adequate clearance. If necessary you may need to remove Intermediate Levels and/or 6ft. Upright Extensions. This unit is NOT insulated. It shall not be used near electrically energized circuits or power lines without adequate safety measures being taken. Refer to MINIMUM SAFE APPROACH DISTANCE (M.S.D.A.) GUIDELINES. Contact your local, state, federal safety agencies and/or your local electrical utility for more information concerning the safe distances, safety measures and voltage of power lines on or near the job site.**
2. Plumb the uprights using the adjusting arms if they start getting excessively out of plumb while moving the unit.
3. All counterweights must be on the unit, use all parking brakes and the work platforms shall not be raised, lowered, or moved with workmen on platform(s).
4. Read & understand warning decals on unit. Follow the rules from the "General Code of Safe Practices of Operation of Manually Propelled Work Platforms".
5. After disassembly for tow, secure various parts on the platform(s) using provided tarp straps (Part# 486-128) or ratchet straps (Part# 486-129_.

TRANSPORTING YOUR WORK PLATFORM



MODEL 195 TRAIL POSITION

Shown above is an example of a Model 195 in trail position for highway tow. The example consists of a Model 195 with optional wide tires, 2" ball hitch, and 2 Intermediate Levels. Saddle weights are not to be lift on unit when towing and should not be transported separately.



MODEL 139 IN TRAIL POSITION

Shown above is an example of a Model 139 in trail position for highway tow. The example consists of a Model 139 with optional wide tires, 2" ball hitch, 1 Intermediate Level, and a Light Bar. To tow, in trail position, adjusting arm threads Must be screwed completely in to give a clearance of approximately 13ft. 5in.

When readying for tow behind a vehicle, be sure REAR STEERING TONGUE IS LOCKED DOWN IN PLACE

ADDITIONAL WINCH OPERATING INSTRUCTIONS

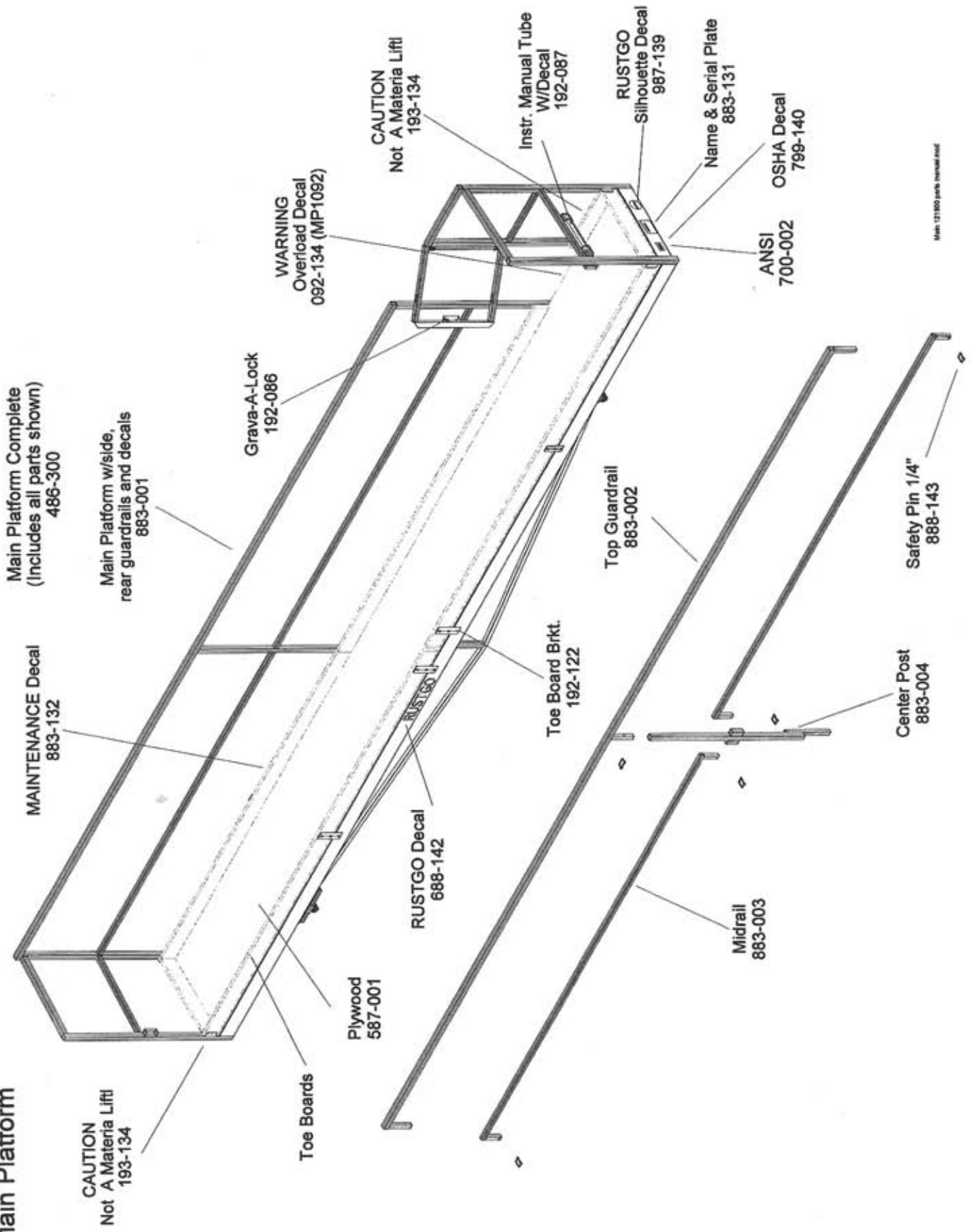
WHEN LOWERING THE PLATFORM(S) ONLY 1 PERSON SHOULD BE OPERATING THE WINCH AND RELEASE ROPE FOR EACH WINCH. THE OPERATOR SHOULD **NOT** BE UNDER THE PLATFORM. THE OPERATOR SHOULD FIRMLY GRAB THE WINCH IN ONE HAND AND THE ROPE IN THE OTHER.

IF YOU LOSE YOUR GRIP ON THE WINCH, RELEASE THE ROPE.

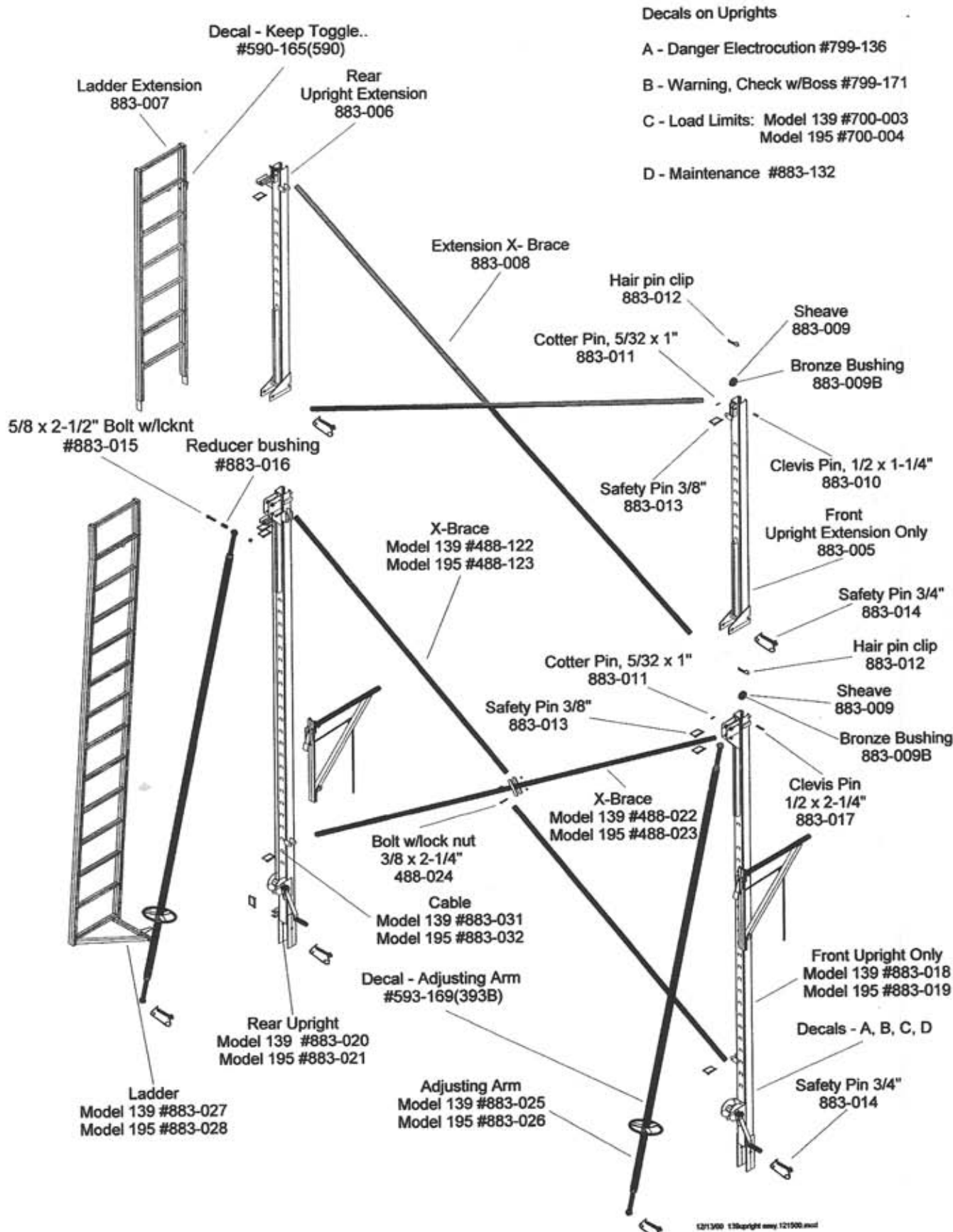
DO NOT ALLOW ANYONE EXCEPT THE WINCH OPERATOR TO HOLD THE ROPE.

**THIS
PAGE
IS
INTENTIONALLY
LEFT
BLANK**

Main Platform



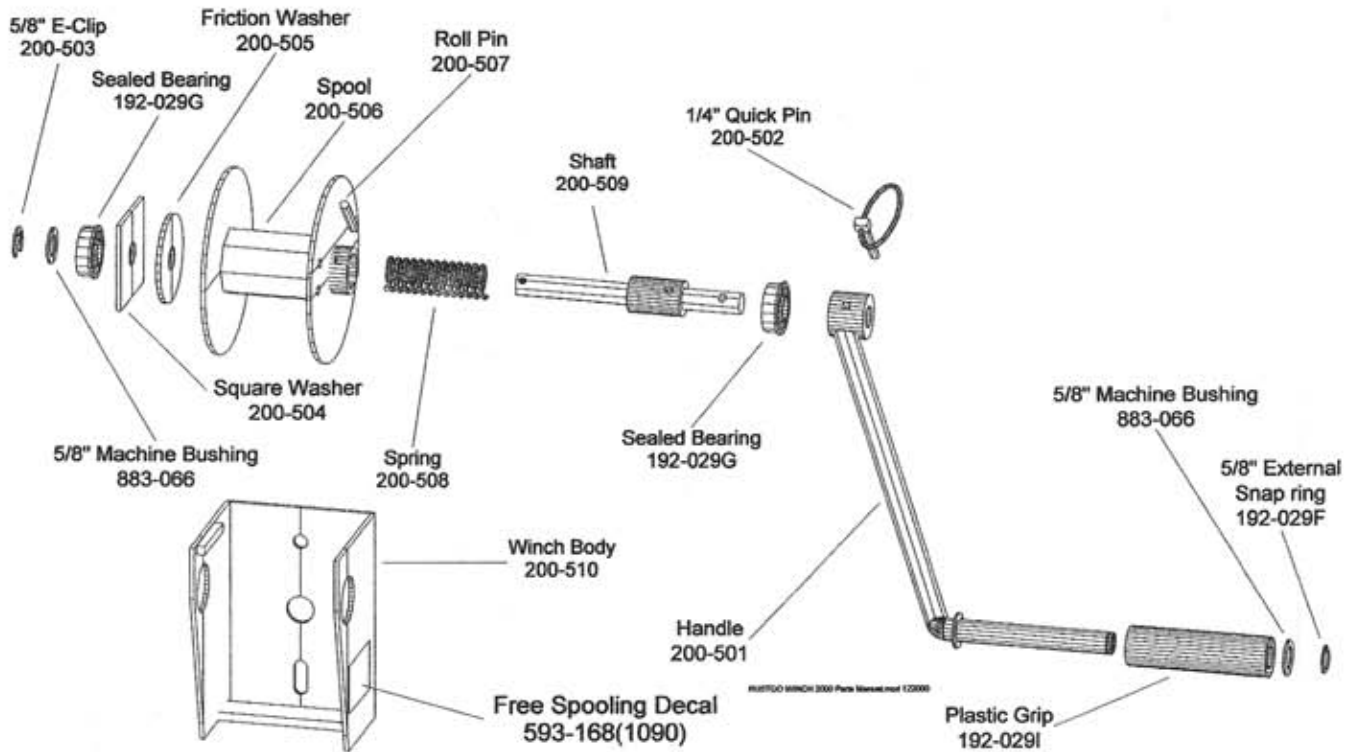
Web 121800 parts manual.pdf



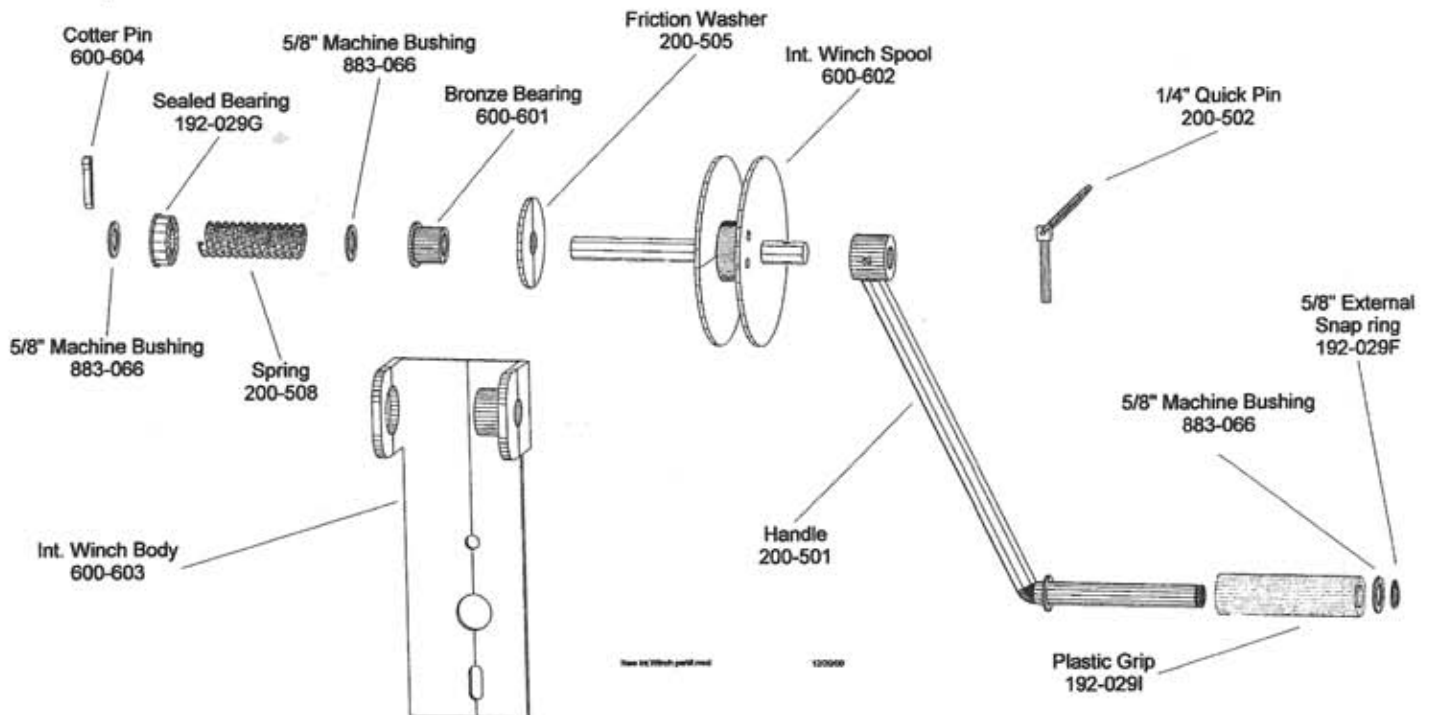
Decals on Uprights

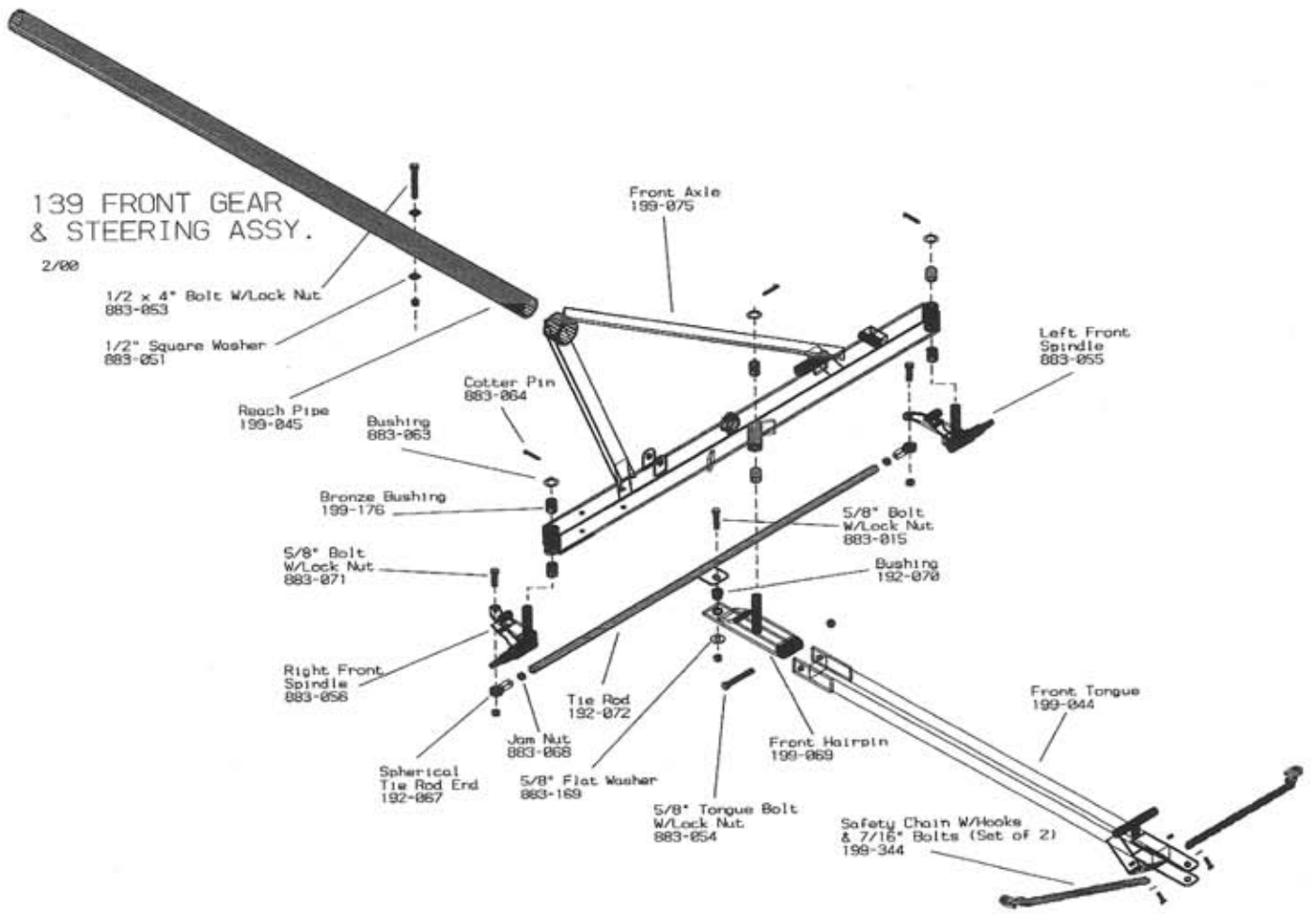
- A - Danger Electrocutation #799-136
- B - Warning, Check w/Boss #799-171
- C - Load Limits: Model 139 #700-003
Model 195 #700-004
- D - Maintenance #883-132

RUSTGO Winch Complete 200-500

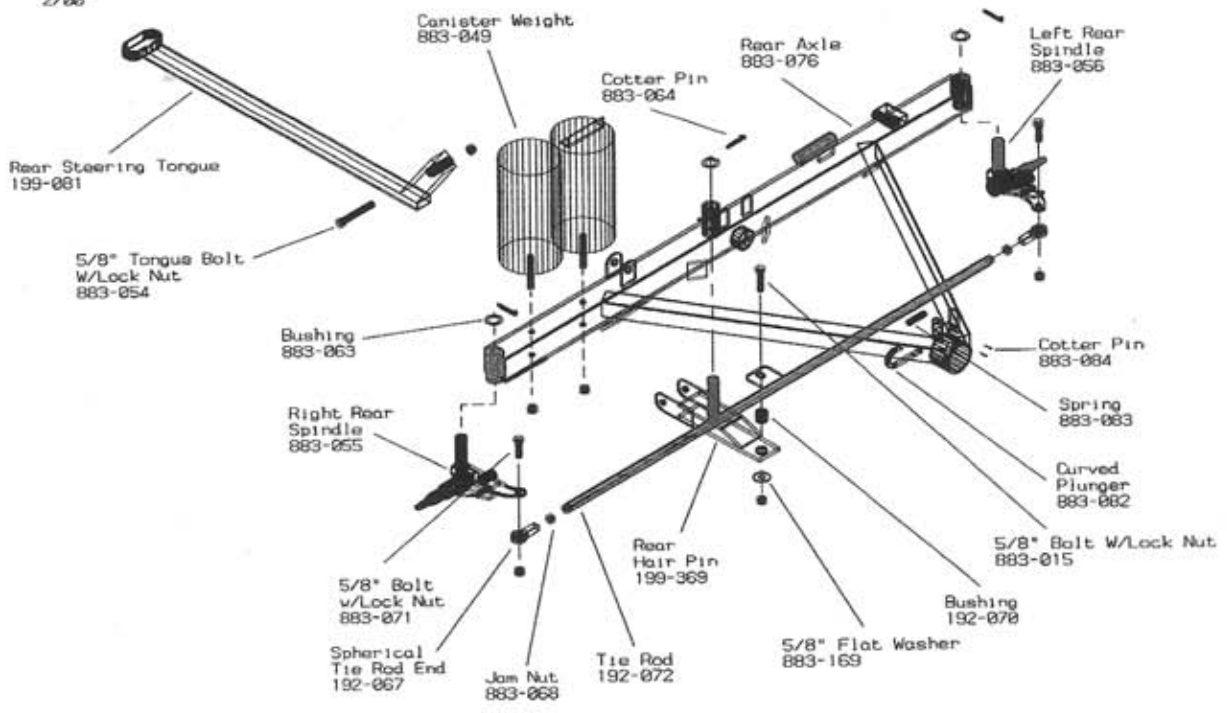


RUSTGO INTERMEDIATE LEVEL WINCH Complete 600-600



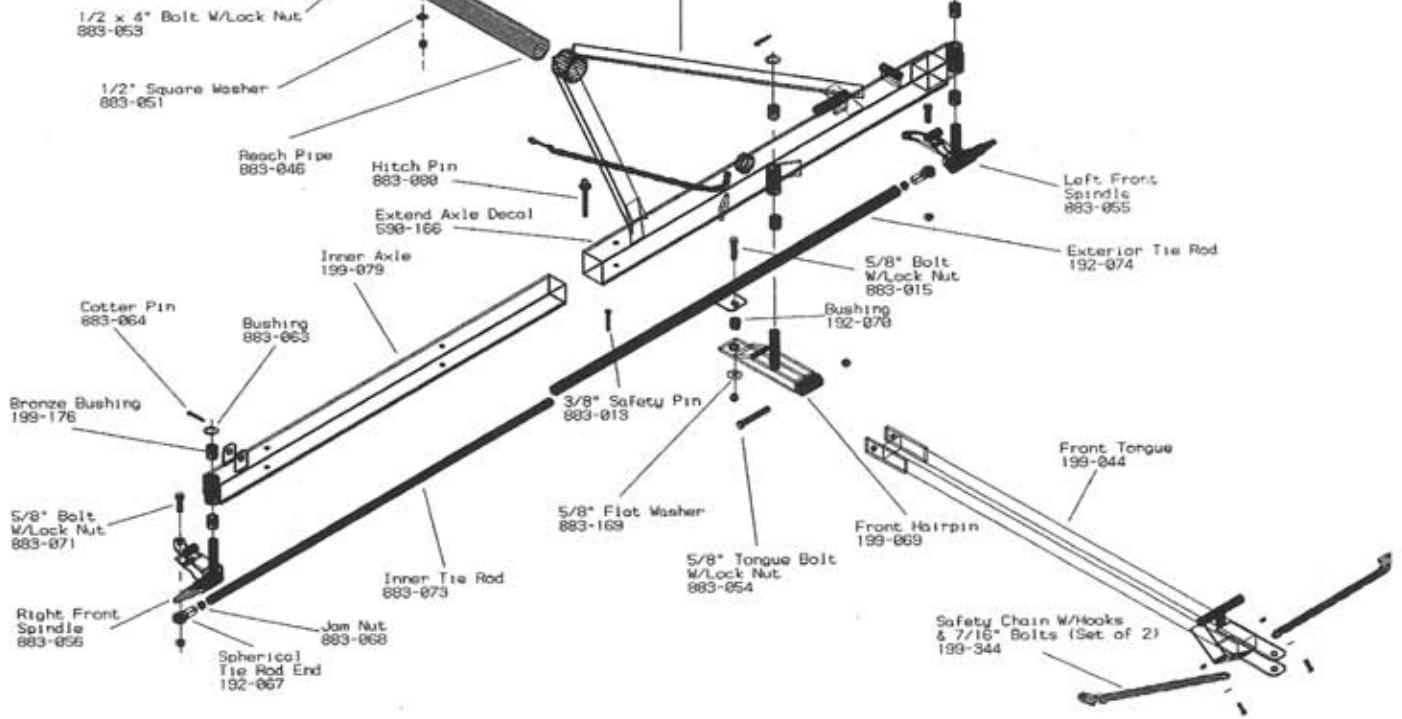


139 Rear Gear & Steering Assy.
2/00



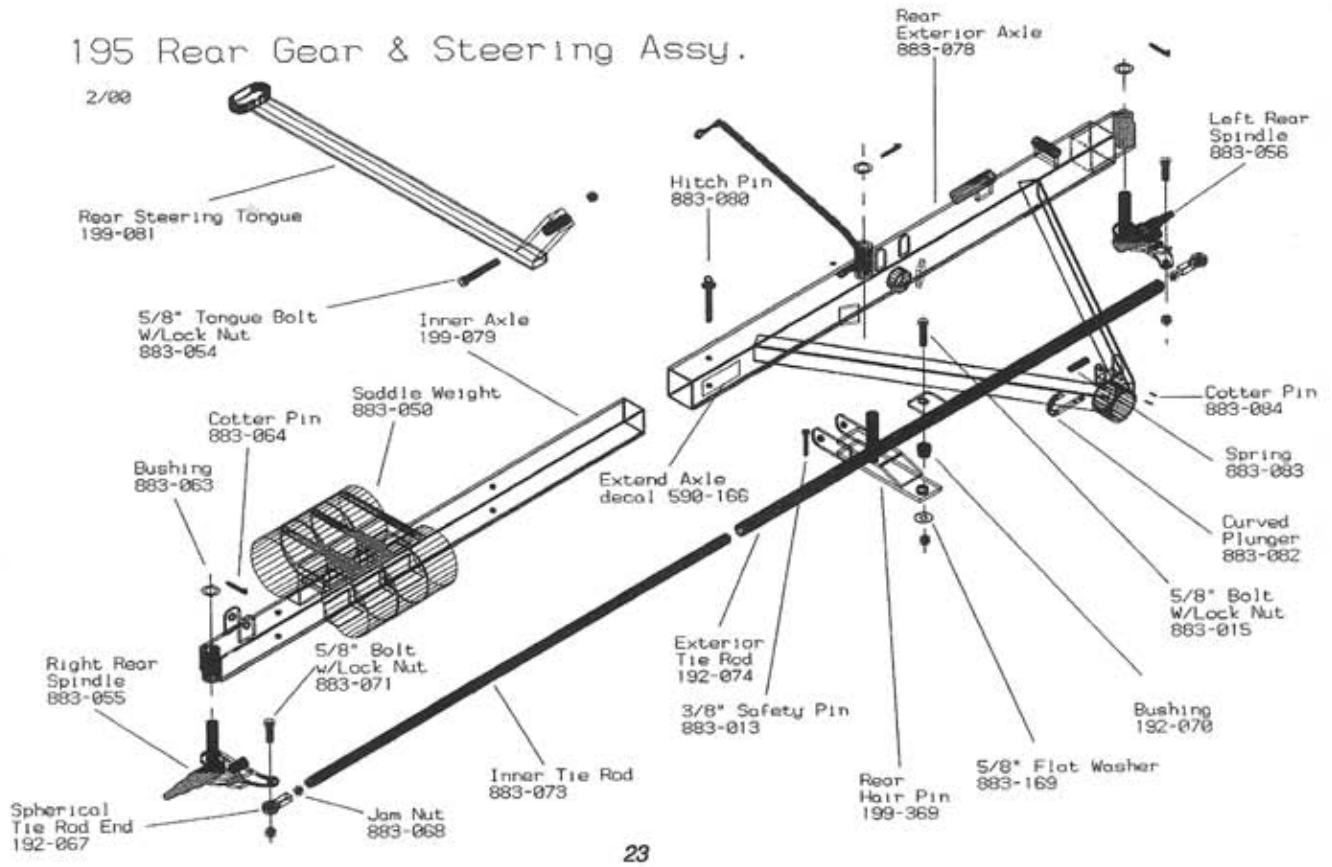
195 FRONT GEAR & STEERING ASSY.

2/88



195 Rear Gear & Steering Assy.

2/88



TOWING OPTIONS



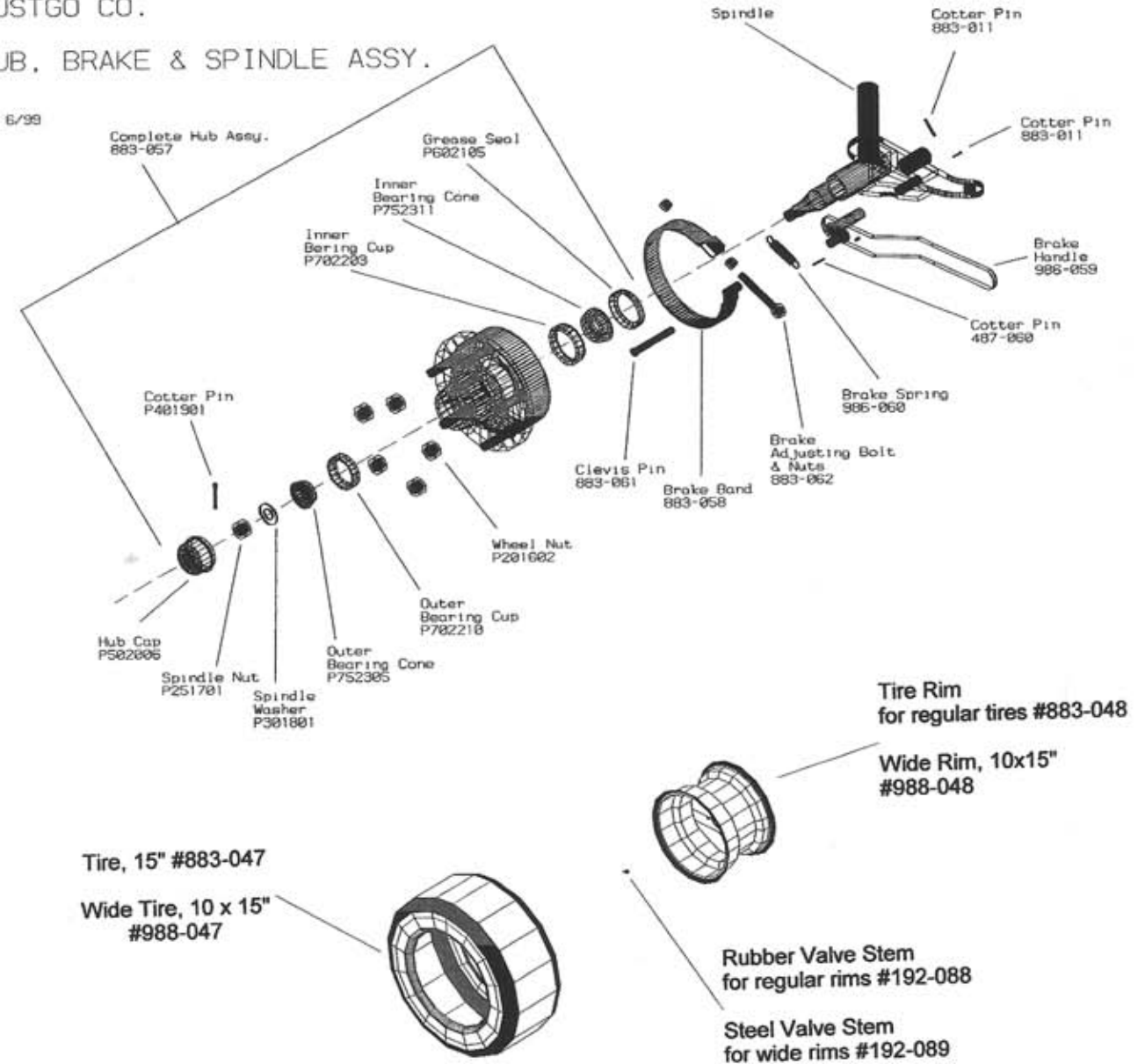
2" Ball Hitch Coupler, Part # 192-244



2-5/16" Ball Hitch Coupler, Part # 192-245
X

RUSTGO CO.

HUB, BRAKE & SPINDLE ASSY.

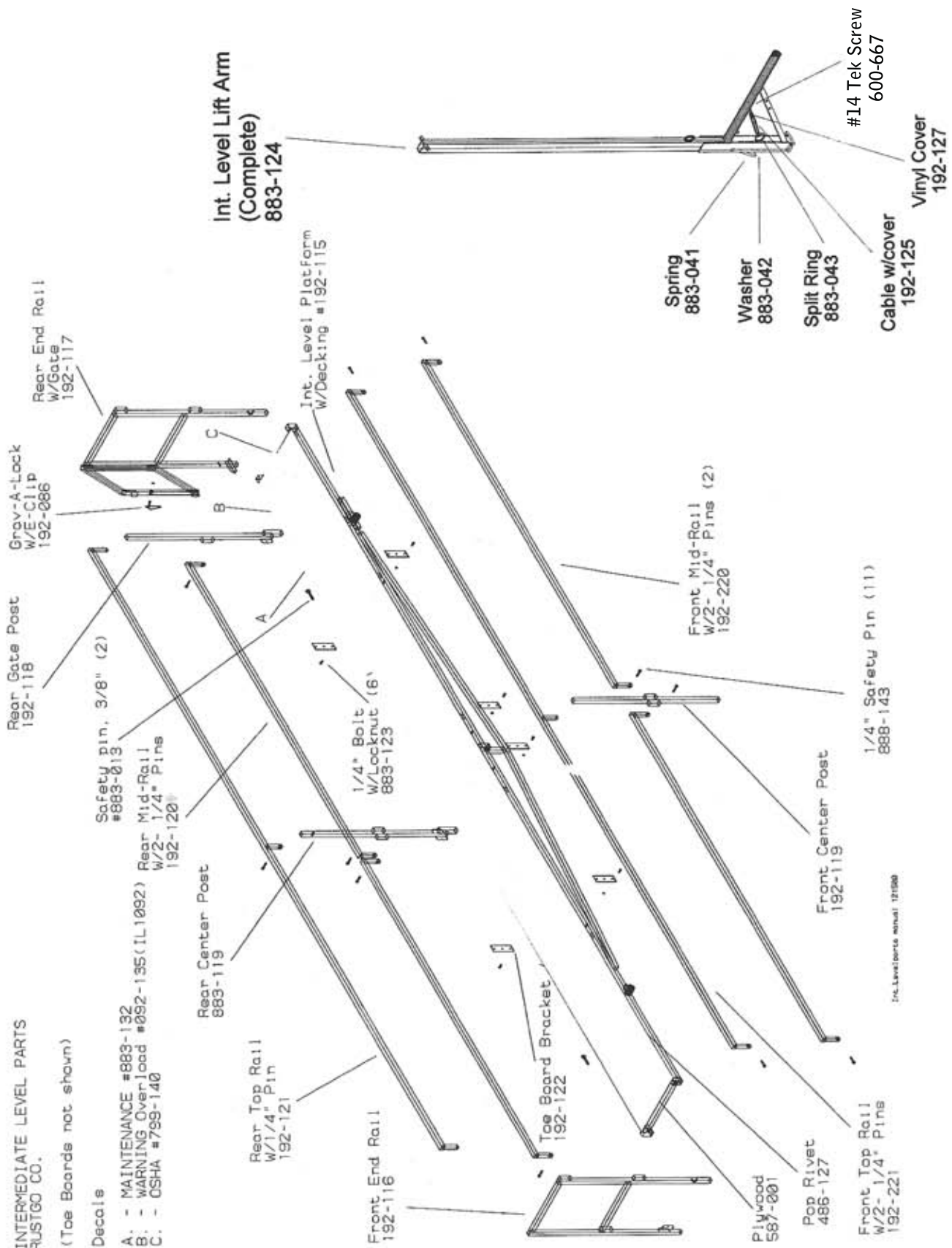


INTERMEDIATE LEVEL PARTS
RUSTICO CO.

(Toe Boards not shown)

Decals

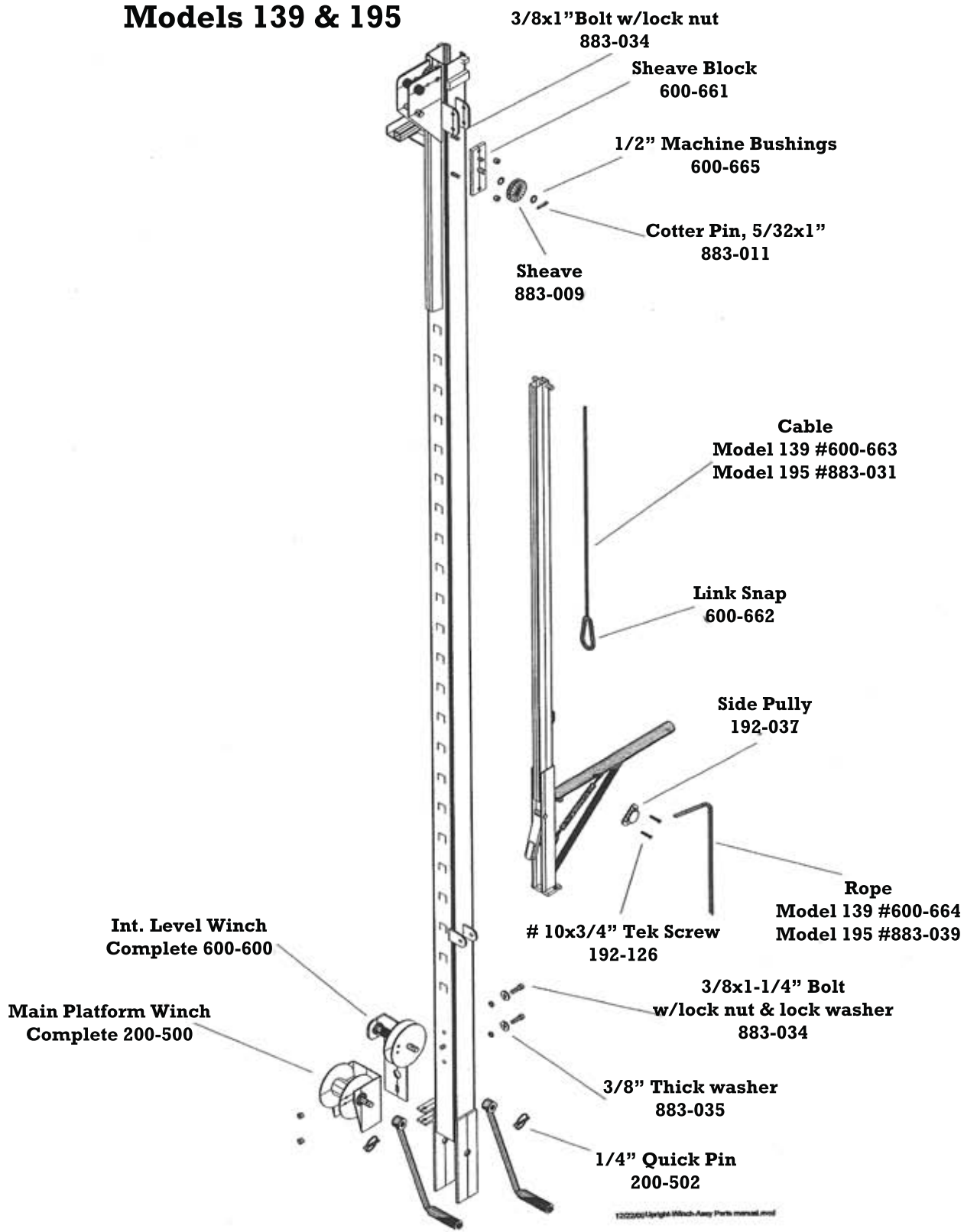
- A: - MAINTENANCE #883-132
- B: - WARNING Overload #092-195(IL1092)
- C: - OSHA #799-140



INT. LEVEL PARTS MANUAL 121580

Rustgo Int. Level Winch & Lift Arm Assy.

Models 139 & 195



Part #	Description	M139	M195	Net Wt (lbs)
195-029F	Winch 5/8" external snap ring, per winch	2	2	
192-029G	Winch Bearing, per winch	2	2	
192-029I	Winch Plastic Handle Grip, per winch	1	1	
192-037	1-1/2" Side pulley	2	2	0.2
192-067	Spherical Tie Rod End	4	4	0.5
192-070	5/8"IDx1" Ht. HAIR PIN MACHINED BUSHING	2	2	0.3
192-072	Tie rod (Lenth 61-1/4"), MODEL 139	2		6.3
192-074	Exterior tie rod, MODEL 195		2	7.5
192-086	ENTRY GATE GRAV-A-LOCK W/E-CLIP			
192-087	MP Instruction Manual Tube w/Decal & hose clamps	1	1	4
192-088	Rubber Valve stem for standard 5x15 tire rim	4	4	0.1
192-089	Steel Valve Stern for 10x15 wide tire rim			0.2
192-122	Toe Board Bracket, 2x6	6	6	0.4
195-124	BOLT for Toe Board Bracket: 1/4"x3/4" Hex Hd. Bold w/locknut	6	6	
199-125	BOLT for Toe Board: 1/4"x1" Rnd. Hd. Bolt w/lockwasher & tee nut	24	24	
192-126	#10x3/4" self drilling tek screw (for attaching side pulley #192-037)	4	4	
192-244	2" BALL Hitch Coupler for FRONT TONGUE, Add-on			4
192-245	2-5/16" Ball Hitch Coupler for FRONT TONGUE, Add-on			9
199-044	Front tongue w/skid plate only	1	1	27
199-045	Reach pipe, 2-1/2"ID Tube, 152-3/4", M 139	1		72
199-069	Hair pin, Hole ID 1-1/8", FRONT AXLE	1	1	11
199-075	Front axle, MODEL 139	1		60
199-077	Front Aexterior axle MODEL 195		1	63
199-079	Inner axle MODEL 195		2	34
199-081	REAR steering tongue	1	1	11
199-176	FRONT axle Bronze Bush, 1.315ODx1.128ID	6	6	
199-344	Safety Chain w/hook & 7/16x2" bold per pec. (set of 2)	1	1	3
199-369	Hair pin, REAR AXLE	1	1	10
200-500	Main platform winch, complete	2	2	8
200-501	Winch handle, per winch	1	1	
200-502	1/4" Quick pin, per winch	1	1	
200-503	5/8" E-Clip, per winch	1	1	
200-504	Square winch washer, per winch	1	1	
200-505	Friction washer, per winch	1	1	
200-506	Spool body, per winch	1	1	
200-507	Roll pin, 7/32"x1-3/8", per winch	1	1	
200-509	Winch spring, per winch	1	1	
200-509	Winch shaft, per winch	1	1	
200-510	Winch body, per winch	1	1	
486-127	Large flange pop, secures plywood decking	42	42	
486-128	Tarp strap, MODEL 139	2		
486-129	Ratchet Strap, MODEL 195		2	1.5
487-060	1/8"x3/4" Cotter pin for brake spring	4	4	
488-022	X-brace, 187", M139	1		
488-023	X-brace, 218-1/4", M195		1	
488-024	Bolt, 3/8"x2-1/4", w/locknut	2	2	0.1
488-122	X-brace, 92.63", M139	2		10
488-123	X-brace, 107.86, M195		2	12

Part #	Description	M139	M195	Net Wt (lbs)
587-003	1/8" pop rivet (NOT SHOWN, attaches part #883-131)	4	4	
600-600	Intermediate Level Winch			7
600-601	Flanged bronze bearing, I/L winch			
600-602	I/L winch spool			
600-603	I/L winch body			
600-604	3/16"x1" Cotter pin, I/L winch			
600-661	Sheave block			
600-662	Link Snap			
600-663	Intermediate Level Cable, 23', for use with M139			1
600-664	Intermediate Level Rope, 10', for use with M139			0.5
600-665	1/2" Machine bushing			
883-001	MP 2'x20' Platform w/side, rear guardrails & decals	1	1	280
883-002	MP Removable top guardrail, 20'2", w/1-1/4" safety pin	1	1	26.3
883-003	MP Remov. Mid rail, 119", w/2-1/4" safety pins	2	2	10.5
883-004	MP Remov. Center post	1	1	6
883-005	Front upright extension ONLY, W/O Sheave & clevis pin	1	1	37
883-006	Rear upright extension ONLY, W/O Sheave & clevis pin	1	1	39
883-007	Ladder extension	1	1	23
883-008	Extension X-brace, 168", per piece	2	2	19
883-009	Sheave (w/bronze bushing insert), 1/2"x2-1/2"	4	4	0.5
883-009B	Bronze replacement bushing for sheave #883-009			0.1
883-010	Clevis pin, 1/2"x1-1/4" (for upright extensions)	2	2	0.1
883-011	Cotter pin, 5/32"x1"	12	12	
883-012	Hair pin clip	2	2	0.1
883-013	Safety pin, 3/8"	11	13	0.2
883-014	Safety pin, 3/4"	6	6	0.8
883-015	5/8"x2-1/2" Bolt w/lcknt (adjusting arms & hairpins)	4	4	0.4
883-016	Reducer bushing (used with adjusting arms)	2	2	0.1
883-017	Clevis pin, 1/2"x1-1/4" (for main upright)	2	2	0.2
883-018	Front upright, 12' ONLY, W/O Sheave & Clevis pin	1		67
883-019	Front upright, 18' ONLY, W/O Sheave & Clevis pin		1	98
883-020	Rear upright, 12' ONLY, W/O Sheave & Clevis pin	1		69
883-021	Rear upright, 18' ONLY, W/O Sheave & Clevis pin		1	99
883-024	3/8"x3" Bolt w/locknut	2	2	0.2
883-025	Adjusting arm, 128", M139	2		31
883-026	Adjusting arm, 208", M195		2	50
883-027	Ladder, 145", 14 rungs, M139	1		42
883-028	Ladder, 221", 21 rungs, M195		1	60
883-030	1/4"x3/4" Carriage Bolt w/bent & flat wash & locknut	2	2	
883-031	Cable, 1/8"x35', M139	2		1
883-032	Cable, 1/8"x47', M195		2	1.4
883-033	Cable clevis	2	2	0.2
883-034	3/8"x1-1/2" Bolt w/lock luster & lock nut	4	4	0.1
883-035	3/8" Thick washer	8	8	0.1
883-036	Lift arm (only, incomplete) for Main Platform	2	2	14.4
883-038	3/8"x1-1/2" Roller bearing	4	4	0.2
883-039	1/4' Poly rope, 16', M139	2		0.2

Part #	Description	M139	M195	Net Wt (lbs)
883-040	1/4" Poly rope, 22', M195		2	0.3
883-041	1-3/4" Lift arm spring	2	2	
883-042	5/16" Flat washer	2	2	
883-043	Split ring	2	2	
883-046	Reach pipe, 2-1/2" ID Tube, 152-1/4", M195		1	72
883-047	Tire, 5"x15" W/O valve stem	4	4	18
883-048	Tire rim, 5 bolt, 5"x15" W/O valve stem	4	4	18
883-049	Canister weight, 120lbs., M139	4		120
883-050	Saddle weight, 80lbs., M195		6	80
883-051	1/2" Square washer (reach)	4	4	0.1
883-053	1/2"x4" Bolt w/lock nut (reach)	2	2	0.3
883-054	5/8"x4-1/2" Bolt w/lock nut (tongue bolt)	2	2	0.5
883-055	Left front/Right rear spindle w/o hub	2	2	7.2
883-056	Right front/Left rear spindle w/o hub	2	2	7.2
883-057	Hub w/brakd drum, incl. cups, cones & seal	4	4	11.1
883-058	Brake band	4	4	0.7
883-061	3/8"x3" Clevis pin	4	4	0.2
883-062	Brake adjusting bolt w/2 nuts	4	4	0.2
883-063	1-1/8" Bushing, 1 ea. Per spindle & hairpin	6	6	
883-064	1/4"x2" Cotter pin	6	6	
883-066	5/8" Machine bushing, 18 ga			
883-068	5/8" Jam nut	4	4	0.1
883-071	5/8"x2" Bolt w/lock nut (for spherical tierod ends)	4	4	0.3
883-073	Inner tie rod, MODEL 195		2	5.3
883-076	Rear axle, MODEL 139	1		61
883-078	Rear Exterior axle, MODEL 195		1	64
883-080	1/2"x4" Cotterless hitch pin, M195		2	0.3
883-082	Curved plunger	1	1	0.3
883-083	2-1/4" Spring	1	1	
883-084	1/8"x1" Cotter pin	2	2	
883-163	Flat Washer, 5/8"	2	2	
888-143	Safety pin, 1/4"x1-3/8"	5	5	0.1
986-059	Brake handle w/o spring	4	4	1.5
986-060	Extension spring for brake handle	4	4	0.1
988-047	WIDE TIRE, 10x15", P275/60SR15			32
988-048	WIDE RIM, 5bolt, 10x15" W/O valve stem			34
587-001	Replacement plywood, priced per square foot	40	40	
587-002	YELLOW paint, 1 gal. (Not Shown)			
888-144	YELLOW paint, 12.8oz spray can (Not Shown)			

Part #	Description	M139	M195	Net Wt (lbs)
DECALS, INSTRUCTION MANUAL & VHS VIDEO FOR MAIN UNITS				
092-134	WARNIN OVERLOAD decal (Main plat., 2"x9-1/4", MP1092	1	1	
193-134	CAUTION-This Is Not a Material Lift decal #0194	2	2	
590-165	CAUTION! LADDER EXTENSION decal 1-1/2x6	1	1	
590-166	EXTEND AXLE decal, 1-1/2x6, Green #1090		2	
593-168	WINCH decal #393A, 2-1/4"x2"	2	2	
593-169	ADJUSTING ARM decal #393B, 6"x4-1/4"	2	2	
688-142	RUSTGO Co-NKI decal, 3"x15-1/2"	2	2	
700-001	INSTRUCTION MANUAL decal	1	1	
700-002	ANSI Standard A92.3 decal	1	1	
700-003	WARNING! M139 LOAD LIMITS decal	2	2	
700-004	WARNING! M195 LOAD LIMITS decal	2	2	
799-136	DANGER, ELECTROCUTION decal #799-136	3	3	
799-140	OSHA decal #799-140	1	1	
799-170	LOOK UP-Electrocution Hazard decal	2	2	
799-171	WARNING-Check With Your Boss decal	2	2	
883-131	NAMEPLATE w/Model & Serial No., 2-3/4"x4-1/4"	1	1	
883-132	MAINTENANCE decal, 1-1/2"x4-3/4"	3	3	
883-137	DANGER, TOWING HAZARD decal, 1-3/4"x5-1/4"	3	3	
987-139	RUSTGO/SILHOUETTE decal, 2-7/8" diameter	1	1	
193-003	INSTRUCTION MANUAL (not shown)	1	1	
488-004	Rentla User Operating Instructions (not shown)			
700-005	VHS Assembly, Operations & Safety Video (not shown)	1	1	
700-006	Manual of Responsibilities for Dealers, Owners, Users, etc. of ANSI/SIA A92.3-1990	1	1	
HUB & SPINDLE PARTS LIST				
P702203	Inner Bearing Cup			
P702210	Outer Bearing Cup			
P752311	Inner Bearing Cone			
P752305	Outer Bearing Cone			
P201602	Wheel Nut, 1/2"-20x90 degree			
P602105	Grease Seal			
P502006	Hub Cap			
P301801	Spindle Washer, 1-5/16"ODx21/32"ID			
P251701	Spindle Nut, 5/8"-18			
P401901	Cotter Pin			
SECURITY CABLES (SC) (Not Shown)				
489-160	1/4" Cable with closed end loops	2		
489-161	Master padlock, keyed alike	4		
489-162	1/4" Cable clamp	2		
900-LB	LIGHT BAR for towings, complete (not shown)			12

Part #	Description	I/L	Net Wt (lbs)
INTERMEDIATE LEVEL PARTS & DECALS			
192-115	18"X18' INTERMEDIATE LEVEL PLATFORM w/decking, decals toeboard brackets. NO Toeboards, Guard, or End rails included		145
192-116	Intermediate Level Front Endrail	1	10.5
192-117	Int./Level Rear End Rail w/Gate	1	17.2
192-118	Int./Level Rear Gate post	1	4
192-119	Int./Level Front Center Post, 42-1/2"	1	3.8
192-120	Int./Level Rear Mid-Rail w/2-1/4" pins, 98"	2	8.3
192-121	Int./ Level Rear Top Rail w/1-1/4" pin, 199"	1	16.5
199-125	BOLT for Toe Board: 1/4"x1" Rnd. Hd. Bolt w/lockwasher & Tee nut		
192-122	Toe Board Bracket, 2x6	6	0.04
199-126	BOLT for toeboard: 1/4"x1-1/2" Hex Hd. Bold w/lckwshr & Tee nut		
192-125	Cable Release Handle w/Vinyl Cover		
192-127	Vinyl Cover for part #883-125	2	
192-128	I/L Carrying Bracket B for M139 (2 req'd)	2	5.8
192-129	I/L Carrying Bracket A for M139 (on canisters, 2 req'd)	2	2.2
192-220	Int./Level Front Mid-Rail w/2-1/4" pins, 108-1/2"	2	9.3
192-221	Int./Level Front Top Rail w/2-1/4" pins, 218-1/4"	1	18
486-127	Large flange pop rivet	42	
486-129	I/L Carrying Bracket A for M195 (2 req'd)	2	3.3
486-130	I/L Carrying Bracket B for M195 (2 req'd)	2	5.8
600-667	#14x3/4" Lift arm spring	2	
883-013	Safety pin, 3/8"	2	0.2
883-041	1-3/4" Lift arm spring	2	
883-042	5/16" Flat washer	2	
883-043	Split ring	2	
883-119	Int./Level Rear Center post, 44"	1	4.3
883-123	BOLT for ToeBrdBracket: 1/4"x1-1/2" Hex Hd. Bolt w/lock nut	11	
883-124	Intermediate Level Lift Arm (complete)	2	16
888-143	Safety pin, 1/4"x1-3/8"	11	0.01
587-001	Replacement plywood (treated), priced per square foot.	27	
883-132	MAINTENANCE decal, 1-1/2"x4-3/4"	1	
092-135	WARNING Overload decal(I/L), 1-1/2"x7", IL 1092	1	
799-140	OSHA decal #799-140	1	
OTHER COMPLETED ASSEMBLIES			
486-300	Main (2'x20') Platform complete. Decals, plywood, pins, and all guardrails. EXCLUDING TOEBOARDS.		333
486-301	Set of 6' Extensions, complete Part #'s: 883-005, -006, -007, -008, -009, -010, -011, -012, -013, -014		140
486-302	Main Platform Liftarm Complete Part #'s: 883-024, -035, -036, -037, -038, -041, -042, -043, 192-126 Does NOT include rope.		15.3

RW Kit Int. Level Winch Retro-fit Kit consisting of part #'s: 600-600, 600-601
600-663, 663(or 883-031), -664(or 883-039), -665, 883-009, -034
883-011, -034, -035, 192-037 & 192-126 Designate for M139 or M195

OTHER NON-STOCK ITEMS NOT ILLUSTRATED

900-LHAR LEFT HAND Acme rod w/nut & swivel (TOP)
900-RHAR RIGHT HAND Acme rod w/nut & swivel (BOTTOM)
900-WB195 Weight Bracket for 195 Counterweights
192-085 Main (2'x20') platform entry gate Retro Fit

NON-STOCK ITEMS AVAILABLE FOR CANADIAN SHIPMENTS

CSA3LE Ladder Extension-3ft. Addition to existing 883-007
CSA50AW Set of 2 Addit'l. 50lbs. Counterweights w/plate for M139, 1 per axle
CSA-DP Drop pads (4) per unit

SPECIFICATIONS

MODEL 139

Maximum Overall Height: 23' 2" / 7.1m (+or- 2")
 Maximum Deck Height: 19' 6" / 6 m
 Minimum Deck Height: 4' / 1.2 m
 Height Adjustment at: 4" / 10 cm intervals
 Wheelbase: Length: 13' / 4 m C to C
 Width: 6' 10" / 2.1 m
 Add 10" / .3m Overall width if equipped with Wide Tires
 Overall Weight: 1,860 lbs. / 844K
 Overall Length: 23' / 7 m
 Standard 2'x20'
 Platform Workload Rating: 750 lbs. / 340 K
 Guard rail Height 42" / 1.07m

MODEL 195

Maximum Overall Height: 29' 3" / 8.9 m (+or- 2")
 Maximum Deck Height: 25' 6" / 7.8 m
 Minimum Deck Height: 4' / 1.2 m
 Height Adjustment at: 4" / 10 cm intervals
 Wheelbase: Length: 13' / 4 m C to C
 Width: 6' 10" / 2.1 m
 Axle Extended Width: 9' 4" / 2.9 m
 Add 10" / .3m Overall width if equipped with Wide Tires
 Overall Weight: 2,090 lbs. / 948K
 Overall Length: 23' / 7 m
 Standard 2'x20'
 Platform Workload Rating: 750 lbs. / 340 K
 Guard rail Height 42" / 1.07m

OPTIONAL INTERMEDIATE LEVEL PLATFORM:
 18" X 18' I/Level Workload Rating: 500 lbs. / 227K
 Weight: 330 lbs. / 150K

FOR YOUR RECORDS:

MODEL NUMBER: _____ SERIAL NUMBER: _____

NO. OF INTERMEDIATE LEVELS: _____

STYLE OF HITCH: PIN 2" BALL 2-5/16" BALL PINTLE

DATE OF PURCHASE: _____

PURCHASED FROM: _____

ADDRESS: _____

CITY: _____ STATE: _____

ZIP: _____

PHONE: _____

PRINTED IN USA

PART # 193-003

